



US00D746656S

(12) **United States Design Patent**  
**Smith et al.**

(10) **Patent No.:** **US D746,656 S**  
(45) **Date of Patent:** **\*\* Jan. 5, 2016**

- (54) **ABRASIVE SHARPENER WITH A FIRE STARTER**
- (71) Applicants: **Richard S. Smith**, Hot Springs, AR (US); **Louis Chalfant**, Hot Springs, AR (US)
- (72) Inventors: **Richard S. Smith**, Hot Springs, AR (US); **Louis Chalfant**, Hot Springs, AR (US)

D490,004 S *	5/2004	Koshino	.....	D10/65
D575,130 S *	8/2008	Smith	.....	D8/93
D578,581 S *	10/2008	Smith	.....	D21/667
D654,342 S *	2/2012	Cavanaugh, Jr.	.....	D8/93
8,221,199 B2 *	7/2012	Smith	.....	B24B 3/54 451/461
D723,898 S *	3/2015	Smith	.....	D8/105
D730,133 S *	5/2015	Sun	.....	D8/35
D731,278 S *	6/2015	Cavanaugh	.....	D8/105
2014/0127984 A1 *	5/2014	Smith	.....	B25F 1/00 451/461

(73) Assignee: **Smith's Consumer Products, Inc.**, Hot Springs, AR (US)

(\*\*) Term: **14 Years**

(21) Appl. No.: **29/502,466**

(22) Filed: **Sep. 16, 2014**

(51) **LOC (10) Cl.** ..... **08-05**

(52) **U.S. Cl.**  
USPC ..... **D8/93**; D7/416; D27/141

(58) **Field of Classification Search**  
USPC ..... D8/14, 90, 91, 92, 93, 105; D7/416;  
D27/141  
CPC ..... B24B 3/54; B24D 15/08; B24D 15/081  
See application file for complete search history.

(56) **References Cited**

**U.S. PATENT DOCUMENTS**

D276,885 S *	12/1984	Hall	.....	D8/91
4,494,340 A *	1/1985	Carter	.....	B24D 15/555 451/555

\* cited by examiner

*Primary Examiner* — Phillip S Hyder

(74) *Attorney, Agent, or Firm* — Edward D. Gilhooly

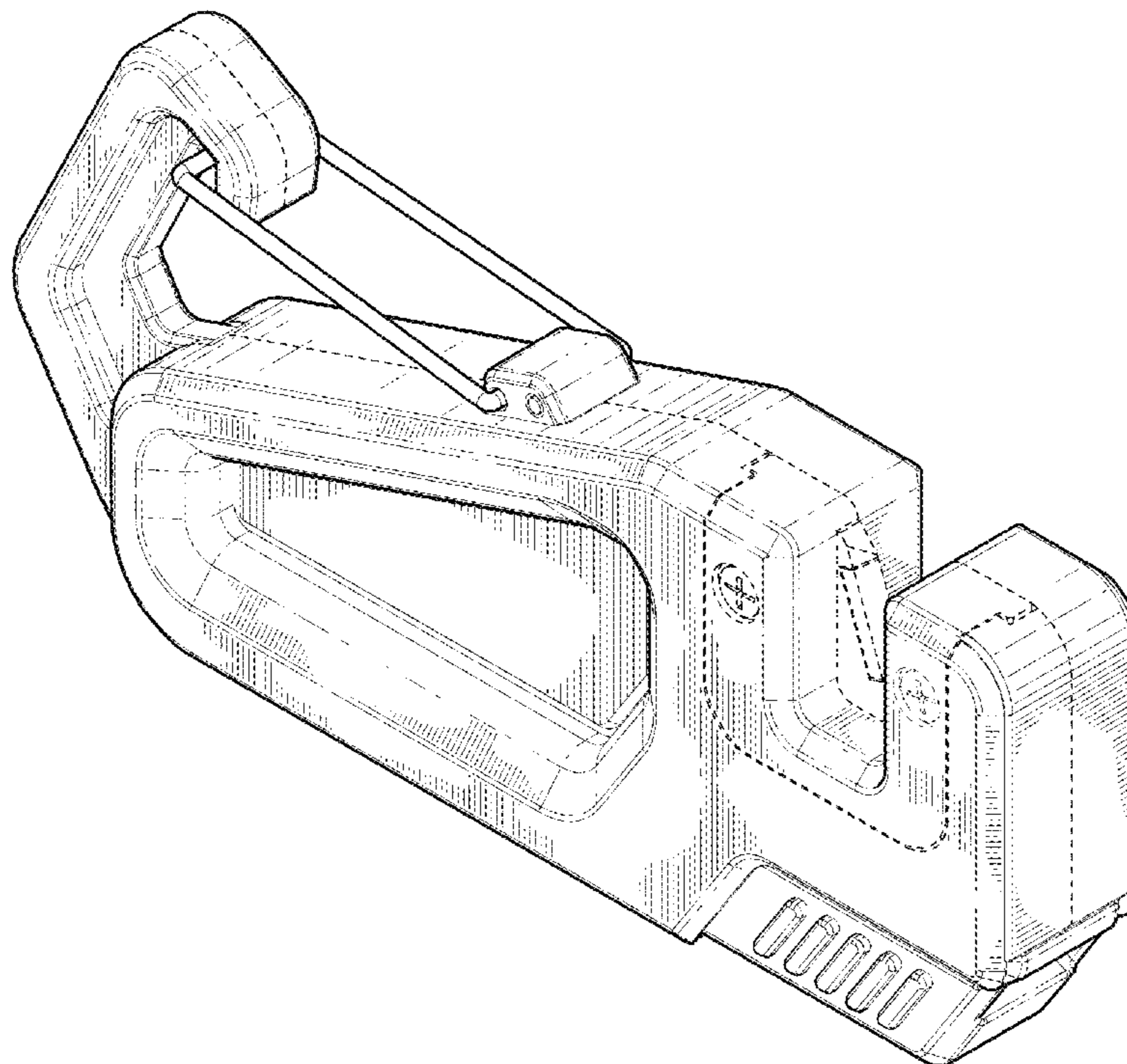
(57) **CLAIM**

The ornamental design for an abrasive sharpener with a fire starter, as shown and described.

**DESCRIPTION**

FIG. 1 is a front perspective view of the ornamental design for an abrasive sharpener with a fire starter of the invention; FIG. 2 is a front elevational view thereof; FIG. 3 is a rear elevational view thereof; FIG. 4 is a top plan view thereof; FIG. 5 is a bottom plan view thereof; FIG. 6 is a side elevational view thereof; FIG. 7 is an opposite side elevational view thereof; and, FIG. 8 is a bottom perspective view thereof. The broken lines in the figures illustrate portions of the abrasive sharpener of the invention that form no part of the claim.

**1 Claim, 7 Drawing Sheets**



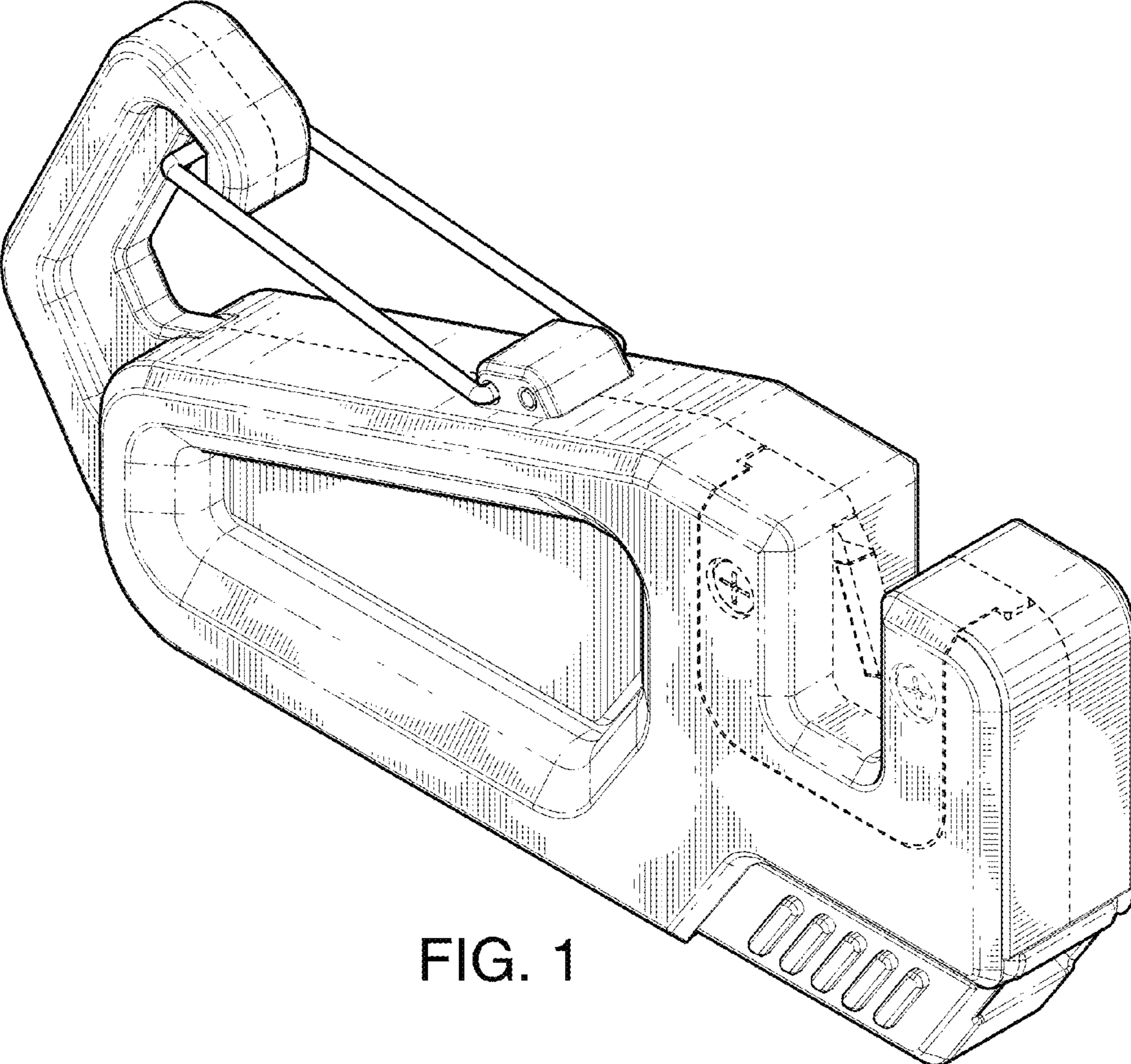


FIG. 1



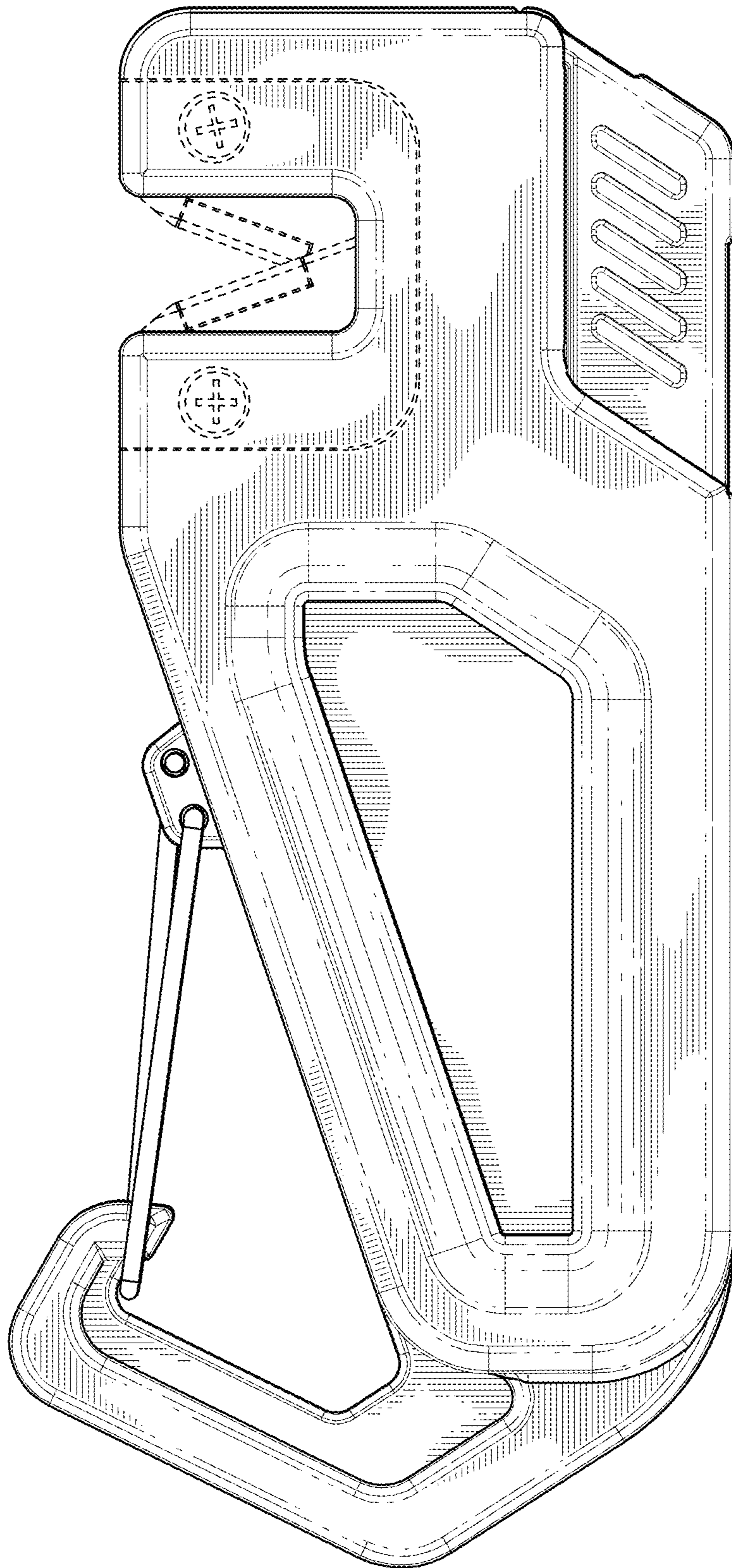


FIG. 2

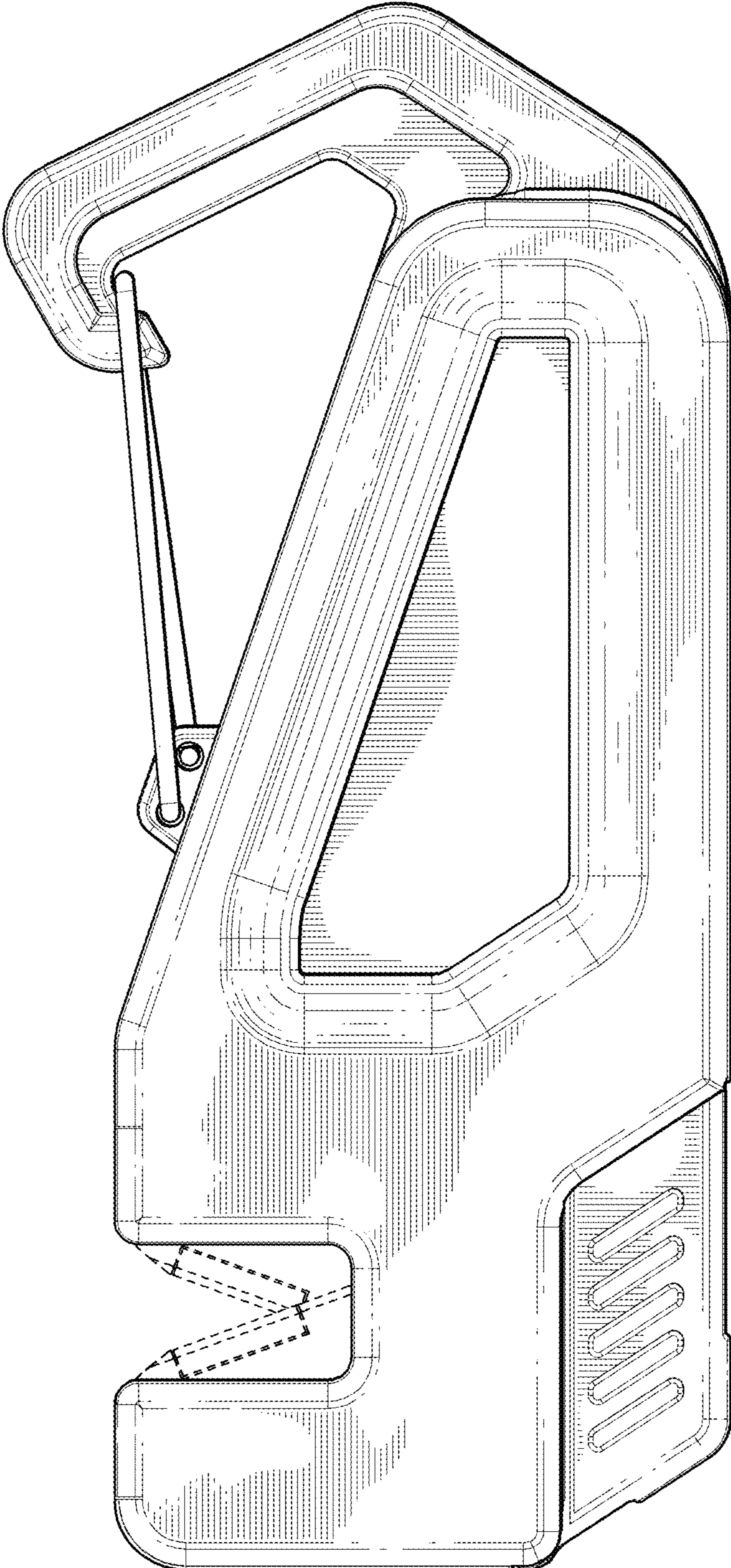


FIG. 3

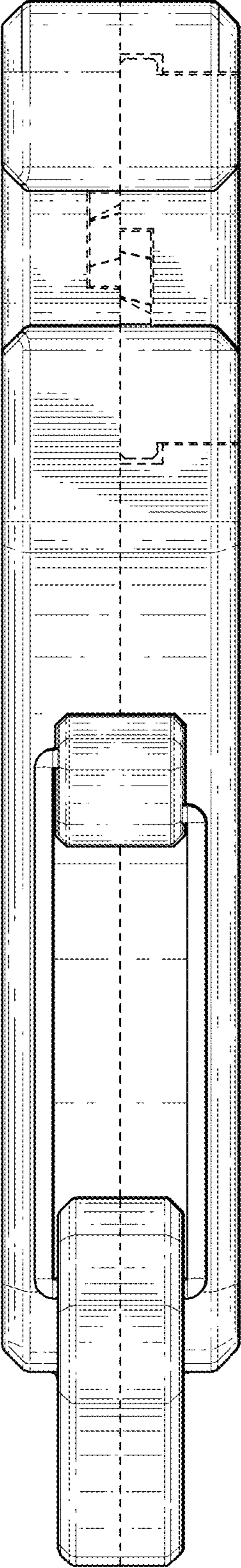


FIG. 4



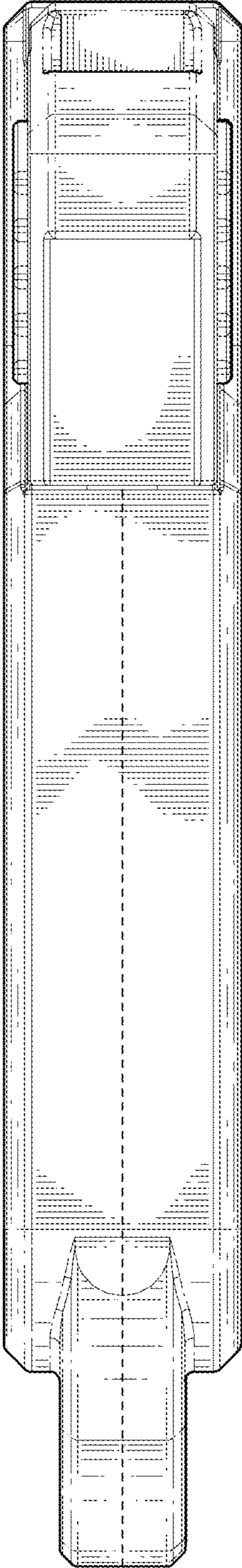


FIG. 5

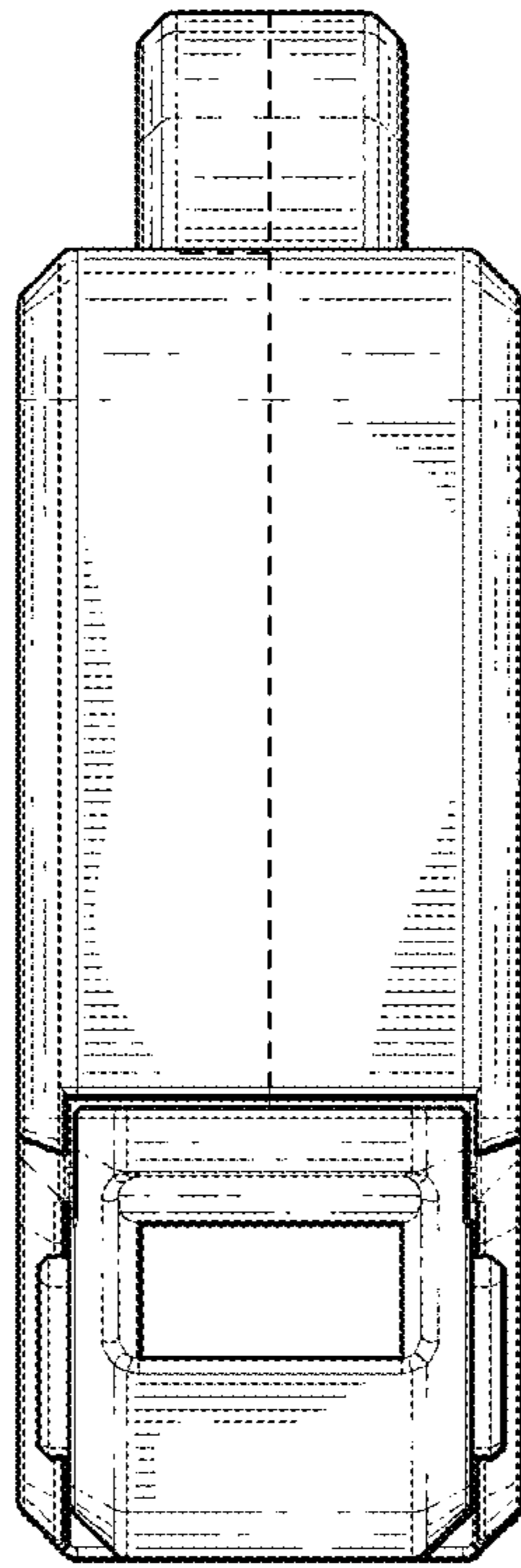


FIG. 6

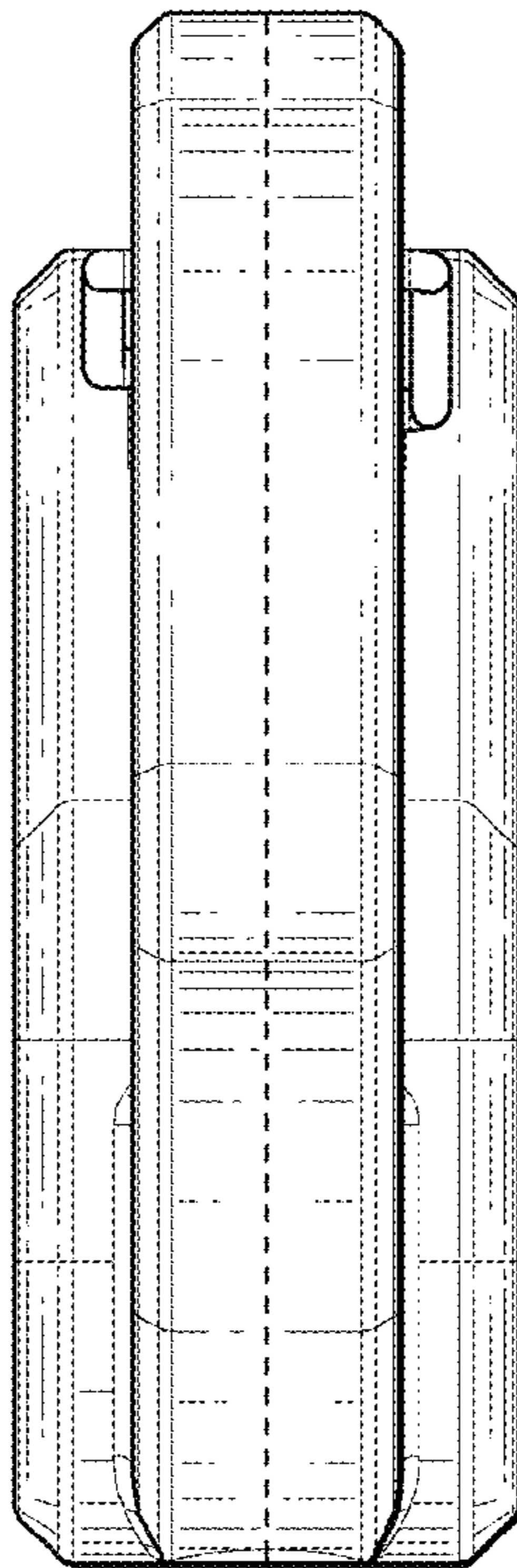


FIG. 7

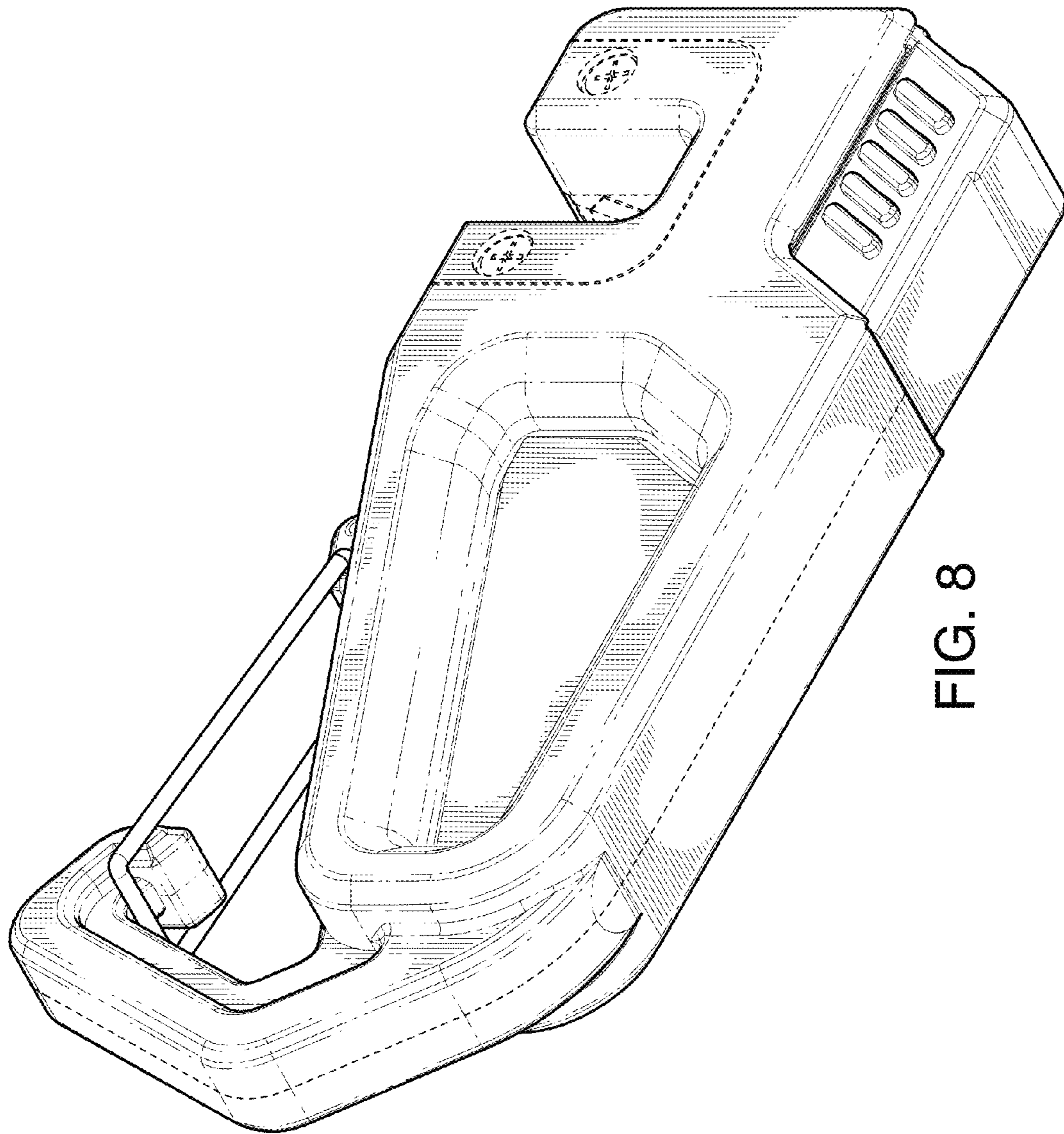


FIG. 8