



US00D746655S

(12) **United States Design Patent**  
**Wackwitz**

(10) **Patent No.:** **US D746,655 S**  
(45) **Date of Patent:** **\*\* Jan. 5, 2016**

- (54) **BLADE**
- (71) Applicant: **Milwaukee Electric Tool Corporation**,  
Brookfield, WI (US)
- (72) Inventor: **Jeffrey M. Wackwitz**, Pewaukee, WI  
(US)
- (73) Assignee: **Milwaukee Electric Tool Corporation**,  
Brookfield, WI (US)
- (\*\*) Term: **15 Years**
- (21) Appl. No.: **29/530,827**
- (22) Filed: **Jun. 19, 2015**

**Related U.S. Application Data**

- (60) Division of application No. 29/472,479, filed on Nov. 12, 2013, now Pat. No. Des. 734,649, which is a division of application No. 29/434,866, filed on Oct. 17, 2012, now Pat. No. Des. 697,384, which is a

(Continued)

- (51) **LOC (10) CL.** ..... **08-03**
- (52) **U.S. CL.**  
USPC ..... **D8/70**
- (58) **Field of Classification Search**  
USPC ..... D8/70; D15/140; 30/166.3, 169, 272.1,  
30/277.4, 294, 339, 347, 389, 392;  
83/665, 666, 676, 835, 886; 125/15,  
125/25, 13.01; 403/3, 316, 359.3, 163;  
451/8, 28, 57, 163, 294, 342, 344, 349,  
451/353, 356, 357, 359, 360, 41, 490, 494,  
451/508, 509, 510, 511, 548, 559  
CPC ..... B23D 61/006; B23D 65/00; B26D 7/086;  
B26D 7/2614

See application file for complete search history.

(56) **References Cited**

U.S. PATENT DOCUMENTS

81,661 A	9/1868	McDonald
197,650 A	11/1877	Milligan
223,103 A	12/1879	Berstler

(Continued)

FOREIGN PATENT DOCUMENTS

DE	10061559 A1	6/2002
DE	20309329 U1	8/2003

(Continued)

OTHER PUBLICATIONS

Milwaukee Electric Tool Corporation, Bosch tool, photo, 2010.

(Continued)

*Primary Examiner* — Philip S Hyder

*Assistant Examiner* — Darlington Ly

(74) *Attorney, Agent, or Firm* — Michael Best & Friedrich LLP

(57) **CLAIM**

I claim the ornamental design for a blade, as shown and described.

**DESCRIPTION**

FIG. 1 is a perspective view of a blade, such as a grout blade, having a tool interface.

FIG. 2 is a top view of the blade shown in FIG. 1.

FIG. 3 is a bottom view of the blade shown in FIG. 1.

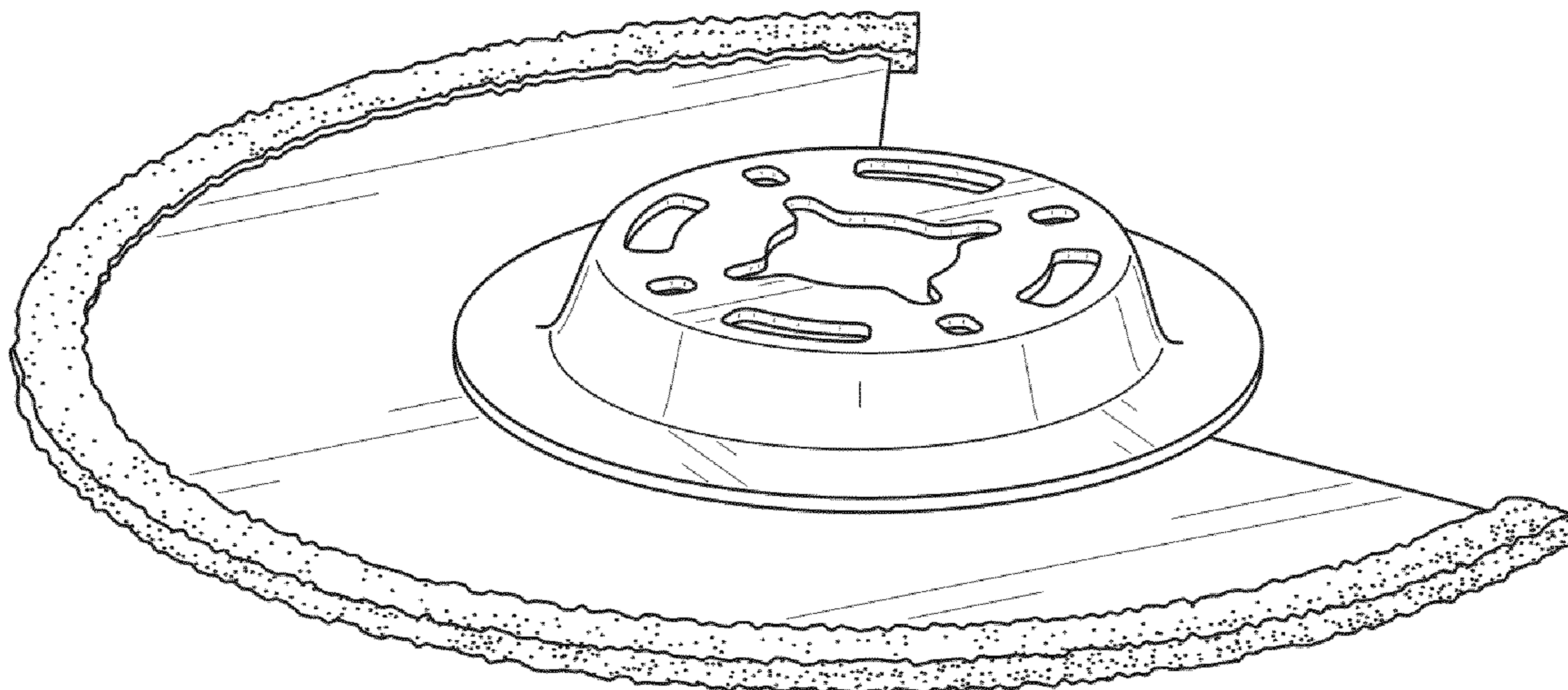
FIG. 4 is a left side view of the blade shown in FIG. 1.

FIG. 5 is a right side view of the blade shown in FIG. 1.

FIG. 6 is a rear view of the blade shown in FIG. 1; and,

FIG. 7 is a front view of the blade shown in FIG. 1.

**1 Claim, 3 Drawing Sheets**



**Related U.S. Application Data**

division of application No. 29/388,254, filed on Mar. 25, 2011, now Pat. No. Des. 669,754, which is a continuation-in-part of application No. 29/375,918, filed on Sep. 29, 2010, now Pat. No. Des. 651,062.

(56)

**References Cited**

U.S. PATENT DOCUMENTS

241,178 A	5/1881	Amazeen	5,601,483 A	2/1997	Rudolf et al.
390,134 A	9/1888	Miller	5,626,510 A	5/1997	Bergner et al.
519,892 A	5/1894	Newton	5,637,034 A	6/1997	Everts et al.
742,000 A	10/1903	Brooks	5,681,213 A	10/1997	Hashii
1,947,662 A	2/1934	Robinson	5,694,693 A	12/1997	Hutchins et al.
2,132,917 A	10/1938	Albertson	5,702,415 A	12/1997	Matthai et al.
2,550,768 A	5/1951	Burleigh	5,709,595 A	1/1998	Bergner et al.
2,649,868 A	8/1953	Gommel	5,729,904 A	3/1998	Trott
2,822,648 A *	2/1958	Metzger .....	5,743,791 A	4/1998	Bosten et al.
		B24D 5/16	5,749,770 A	5/1998	Uzumcu et al.
		125/15	5,759,094 A	6/1998	Bosten et al.
2,846,826 A	8/1958	Miller	5,842,278 A	12/1998	Gmeilbauer
2,854,042 A	9/1958	Robinson	5,846,244 A	12/1998	Cripe
2,912,021 A	11/1959	Gommel	5,901,629 A	5/1999	Stroud
2,997,819 A	8/1961	Schacht	5,911,620 A	6/1999	Spangenberg et al.
3,041,797 A	7/1962	Moffly	5,967,886 A	10/1999	Wuensch et al.
3,308,703 A	3/1967	Sauer	D417,598 S	12/1999	Dibbern et al.
3,440,915 A	4/1969	Weyant	6,004,194 A	12/1999	Hild et al.
3,623,281 A	11/1971	Moffat	6,022,353 A	2/2000	Fletcher et al.
3,667,169 A	6/1972	MacKay, Jr.	D421,566 S	3/2000	Achterberg
3,908,499 A	9/1975	Reed	6,042,460 A	3/2000	Bosten et al.
3,943,934 A	3/1976	Bent	D424,076 S	5/2000	Dibbern et al.
4,015,371 A	4/1977	Grayston	D427,042 S	6/2000	Dibbern et al.
4,343,214 A	8/1982	Schadlich	6,099,311 A	8/2000	Wagner et al.
4,361,956 A	12/1982	Kirk	6,099,397 A	8/2000	Wurst
4,393,626 A	7/1983	Schroer	6,110,028 A	8/2000	Chung
4,432,264 A	2/1984	Scott	6,129,618 A	10/2000	Frech
4,436,006 A	3/1984	Nakamura et al.	6,142,858 A	11/2000	Luedeke
4,436,009 A	3/1984	Ask	D435,571 S	12/2000	Dibbern et al.
4,461,195 A	7/1984	Barnick	6,155,916 A	12/2000	Rudolf et al.
D276,310 S	11/1984	Frieberg	6,159,084 A	12/2000	Tiede
4,497,141 A	2/1985	Jarby	6,257,969 B1	7/2001	Bosten et al.
4,637,170 A	1/1987	Block	6,277,012 B1	8/2001	Halliley
4,637,391 A	1/1987	Schlein	6,293,859 B1	9/2001	Fink et al.
4,637,397 A	1/1987	Jones et al.	6,299,078 B1	10/2001	Fugere
4,657,428 A	4/1987	Wiley	6,306,024 B1	10/2001	Kai et al.
4,683,683 A	8/1987	Block	6,332,836 B1	12/2001	Tseng
4,700,478 A	10/1987	Mezger et al.	6,340,022 B1	1/2002	Schroer
4,706,386 A	11/1987	Wiley	6,349,446 B1	2/2002	Krause et al.
4,730,952 A *	3/1988	Wiley .....	6,361,424 B1	3/2002	Manor et al.
		B24B 45/006	6,371,837 B1	4/2002	Luedeke
		30/388	6,379,236 B1	4/2002	Takizawa et al.
4,787,147 A	11/1988	Wiley	6,401,342 B1	6/2002	Kloss et al.
4,852,261 A	8/1989	Wittek	D466,597 S	12/2002	Carr
4,905,420 A	3/1990	Flachenecker et al.	D467,845 S	12/2002	Pfeiffer et al.
D308,011 S	5/1990	Norris	6,503,253 B1	1/2003	Fletcher et al.
4,989,320 A	2/1991	Borkott et al.	6,520,055 B1	2/2003	Reusch et al.
D315,667 S	3/1991	Johnson	6,523,214 B1	2/2003	Kaiser
5,038,478 A	8/1991	Mezger et al.	6,533,650 B2	3/2003	Yoshida et al.
D319,565 S *	9/1991	Krogsgaard .....	6,569,001 B2	5/2003	Rudolf et al.
D327,111 S	6/1992	Hemming	6,629,484 B2	10/2003	Soyama et al.
5,263,283 A	11/1993	Rudolf et al.	6,640,377 B2	11/2003	Krause et al.
5,265,340 A	11/1993	Nitz et al.	D486,839 S	2/2004	Sunagawa et al.
5,292,352 A	3/1994	Rudolf et al.	6,699,112 B2	3/2004	Bergner et al.
5,303,688 A	4/1994	Chiuminatta et al.	6,723,101 B2	4/2004	Fletcher et al.
5,309,805 A	5/1994	Mezger et al.	D489,823 S	5/2004	Fisher et al.
5,319,886 A	6/1994	Steere, Jr.	6,749,493 B2	6/2004	Wuensch
5,366,312 A	11/1994	Raines	D493,683 S	8/2004	Hortenbury et al.
5,373,834 A	12/1994	Chiuminatta et al.	6,780,093 B2	8/2004	Krondorfer et al.
5,382,249 A	1/1995	Fletcher	6,786,811 B2	9/2004	Krondorfer et al.
D362,065 S	9/1995	Goris	6,796,888 B2	9/2004	Jasch
5,468,247 A	11/1995	Matthai et al.	6,802,127 B2	10/2004	Thomaschewski
5,477,845 A	12/1995	Zuzelo	6,802,764 B2	10/2004	Besch
5,482,499 A	1/1996	Satoh	6,814,655 B2	11/2004	Hofmann et al.
5,491,896 A	2/1996	Stolzer et al.	6,814,657 B2	11/2004	Spangenberg et al.
5,496,316 A	3/1996	Goris	6,827,074 B2	12/2004	Gardner
5,554,066 A	9/1996	Bosten et al.	6,860,792 B2	3/2005	Krondorfer et al.
5,555,788 A	9/1996	Gakhar et al.	6,869,346 B2	3/2005	Wendt et al.
5,597,347 A	1/1997	Bosten et al.	6,902,471 B2	6/2005	Krondorfer et al.
			6,942,558 B2	9/2005	Wuensch
			6,942,560 B2	9/2005	Hofmann et al.
			6,945,862 B2	9/2005	Jasch et al.
			7,000,606 B2	2/2006	Gardner
			7,077,734 B2	7/2006	Tiede et al.
			7,077,735 B2	7/2006	Krondorfer et al.
			D526,553 S *	8/2006	Um .....
			7,097,548 B2	8/2006	Krondorfer et al.
			D528,407 S	9/2006	Schwab
			7,108,077 B2	9/2006	Zaiser

D8/70

(56)

**References Cited**

**U.S. PATENT DOCUMENTS**

7,115,027 B2 10/2006 Thomaschewski  
 7,115,028 B1 10/2006 Chen  
 7,137,329 B1 11/2006 Moser  
 7,143,760 B2 12/2006 Gardner  
 7,169,025 B2 1/2007 Schumacher  
 7,201,644 B2 4/2007 Gardner  
 7,207,873 B2 4/2007 Hesse et al.  
 7,217,177 B2 5/2007 Frech et al.  
 7,273,412 B1 9/2007 Sun et al.  
 7,313,838 B2 1/2008 Long et al.  
 D563,186 S 3/2008 Ahn  
 7,402,095 B2 7/2008 Gardner  
 D579,297 S \* 10/2008 Jeiziner ..... D8/70  
 7,438,629 B2 10/2008 Bosten et al.  
 7,506,877 B1 3/2009 Henderson et al.  
 7,510,464 B2 3/2009 Stierle et al.  
 7,527,628 B2 5/2009 Fletcher et al.  
 7,588,484 B2 9/2009 Momosaki  
 D609,545 S 2/2010 Ueno et al.  
 D619,152 S 7/2010 Evatt et al.  
 D621,427 S 8/2010 Dow et al.  
 D623,034 S 9/2010 Evatt et al.  
 D626,977 S 11/2010 Popov  
 D626,978 S 11/2010 Huh  
 D628,218 S 11/2010 Tommassini  
 7,856,913 B2 \* 12/2010 Matzunsky ..... B26D 1/0006  
 83/341  
 D633,769 S 3/2011 Evatt et al.  
 D651,062 S 12/2011 Wackwitz  
 D651,499 S 1/2012 Tong  
 D651,874 S \* 1/2012 Davidian ..... D10/64  
 D651,875 S 1/2012 Davidian et al.  
 D651,876 S 1/2012 Davidian et al.  
 D651,877 S 1/2012 Davidian et al.  
 D651,878 S 1/2012 Davidian et al.  
 D652,274 S 1/2012 Davidian et al.  
 D677,546 S 3/2013 Zhou et al.  
 D682,652 S 5/2013 McRoberts et al.  
 D694,076 S 11/2013 Davidian et al.  
 D694,596 S 12/2013 Davidian et al.  
 D694,597 S 12/2013 Davidian et al.  
 D694,598 S 12/2013 Davidian et al.  
 D694,599 S 12/2013 Davidian et al.  
 D697,384 S 1/2014 Wackwitz  
 D697,774 S 1/2014 Bozic  
 D697,776 S \* 1/2014 Bozic ..... D8/70  
 D697,777 S \* 1/2014 Bozic ..... D8/70  
 D697,778 S 1/2014 Bozic  
 D709,341 S \* 7/2014 Nispel ..... D8/20  
 D713,231 S \* 9/2014 Boozic ..... D8/70  
 2002/0016143 A1 2/2002 Bosten et al.  
 2002/0022444 A1 2/2002 Littlefield  
 2002/0066351 A1 6/2002 Sumida et al.  
 2003/0000716 A1 1/2003 Hofmann et al.  
 2003/0153254 A1 8/2003 Bosten et al.  
 2004/0138668 A1 7/2004 Fisher et al.  
 2004/0192180 A1 9/2004 Bosten et al.  
 2004/0243136 A1 12/2004 Gupta et al.  
 2005/0081697 A1 \* 4/2005 Liao ..... B24D 5/123  
 83/835  
 2005/0153640 A1 7/2005 Stein et al.  
 2006/0150428 A1 7/2006 Baculy  
 2006/0272468 A1 12/2006 Gupta et al.  
 2007/0079489 A1 4/2007 Cirino  
 2007/0094877 A1 5/2007 Bohne et al.  
 2007/0295156 A1 12/2007 Ziegler et al.  
 2008/0003929 A1 1/2008 Degen

2008/0017007 A1 1/2008 Weber et al.  
 2008/0029134 A1 2/2008 Long et al.  
 2008/0057846 A1 3/2008 Schumacher  
 2008/0160886 A1 7/2008 Palushaj  
 2008/0190259 A1 8/2008 Bohne  
 2008/0210212 A1 9/2008 Baratta  
 2009/0013540 A1 1/2009 Bohne  
 2009/0023371 A1 1/2009 Blickle et al.  
 2009/0083916 A1 4/2009 Lampka et al.  
 2009/0191799 A1 7/2009 Rivard  
 2009/0209186 A1 8/2009 Krauss et al.  
 2009/0293696 A1 12/2009 Rauscher et al.  
 2009/0318065 A1 12/2009 Zaiser et al.  
 2010/0009613 A1 1/2010 Frueh et al.  
 2010/0052269 A1 3/2010 Zaiser et al.  
 2010/0056029 A1 3/2010 Gruniekiewicz  
 2011/0277611 A1 11/2011 Chen et al.  
 2012/0045978 A1 2/2012 Mueller

**FOREIGN PATENT DOCUMENTS**

DE 102004050798 A1 4/2006  
 DE 202006013890 U1 11/2006  
 DE 102006021969 A1 11/2007  
 DE 102007039367 A1 3/2008  
 DE 102007018467 A1 10/2008  
 DE 102007036786 A1 10/2008  
 DE 102007035045 A1 1/2009  
 DE 202007018679 U1 1/2009  
 DE 102008027671 A1 12/2009  
 EP 1213107 A1 6/2002  
 EP 1302286 A1 4/2003  
 EP 1852218 A1 11/2007  
 EP 2017036 A1 1/2009  
 EP 2143531 A1 1/2010  
 EP 2159000 A1 3/2010  
 WO 2008128813 A1 10/2008  
 WO 2008128862 A1 10/2008

**OTHER PUBLICATIONS**

Milwaukee Electric Tool Corporation, Bosch tool and accessories, photo, 2010.  
 Milwaukee Electric Tool Corporation, Bosch tool and adapter, photo, 2010.  
 Milwaukee Electric Tool Corporation, Rockwell tool, photo, 2010.  
 Milwaukee Electric Tool Corporation, Rockwell tool and accessories, photo, 2010.  
 Milwaukee Electric Tool Corporation, Craftsman tool, photo, 2010.  
 Milwaukee Electric Tool Corporation, Craftsman tool and accessories, photo, 2010.  
 Milwaukee Electric Tool Corporation, Dremel tool, photo, 2010.  
 Milwaukee Electric Tool Corporation, Dremel tool and accessories, photo, 2010.  
 Milwaukee Electric Tool Corporation, Fein tool, photo, 2010.  
 Milwaukee Electric Tool Corporation, Fein tool and accessories, photo, 2010.  
 EP Designs 000535174-0001 and 000535174-0002 for cutting discs, show at <http://oami.europa.eu/RCDOnline/RequestManager>.  
 Bosch, Plunge cut blade, photo.  
 Bosch, Scraper blade, photo.  
 Bosch, Flush cut blade, photo.  
 Bosch, Grout blade, photo.  
 Notice of Allowance from the United States Patent Office for U.S. Appl. No. 29/375,916 dated Sep. 22, 2011 (8 pages).  
 Office Action from the United States Patent Office for U.S. Appl. No. 29/388,254 dated May 3, 2012 (7 pages).

\* cited by examiner

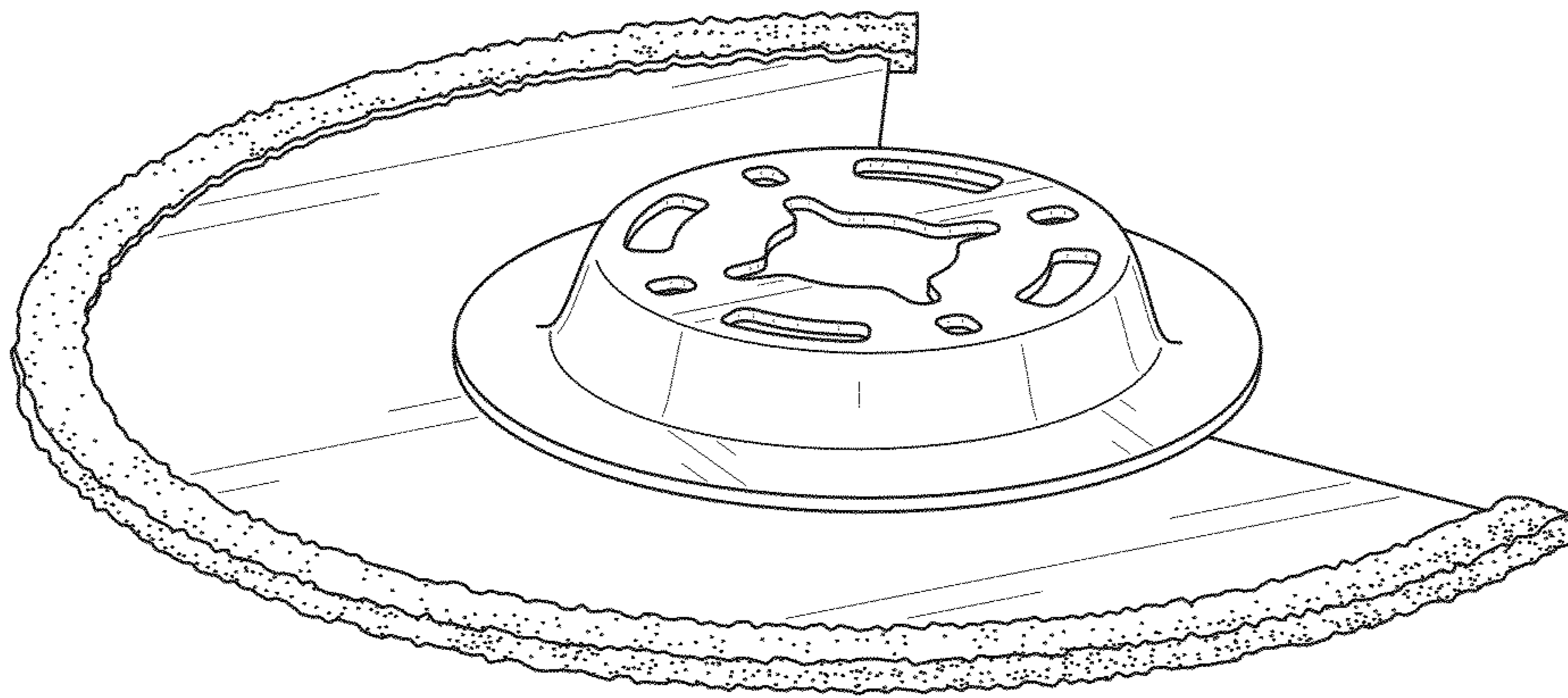


FIG. 1

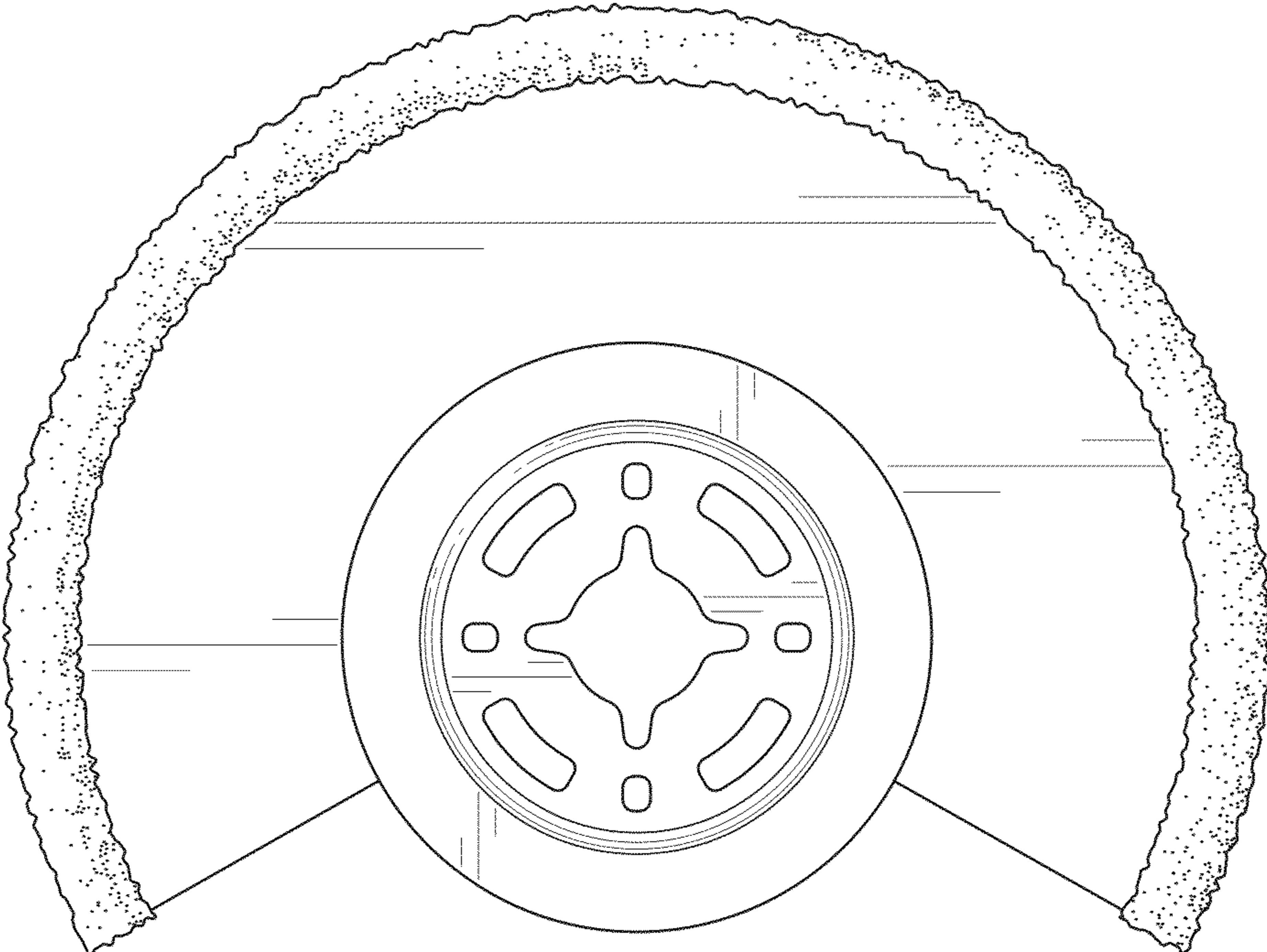


FIG. 2

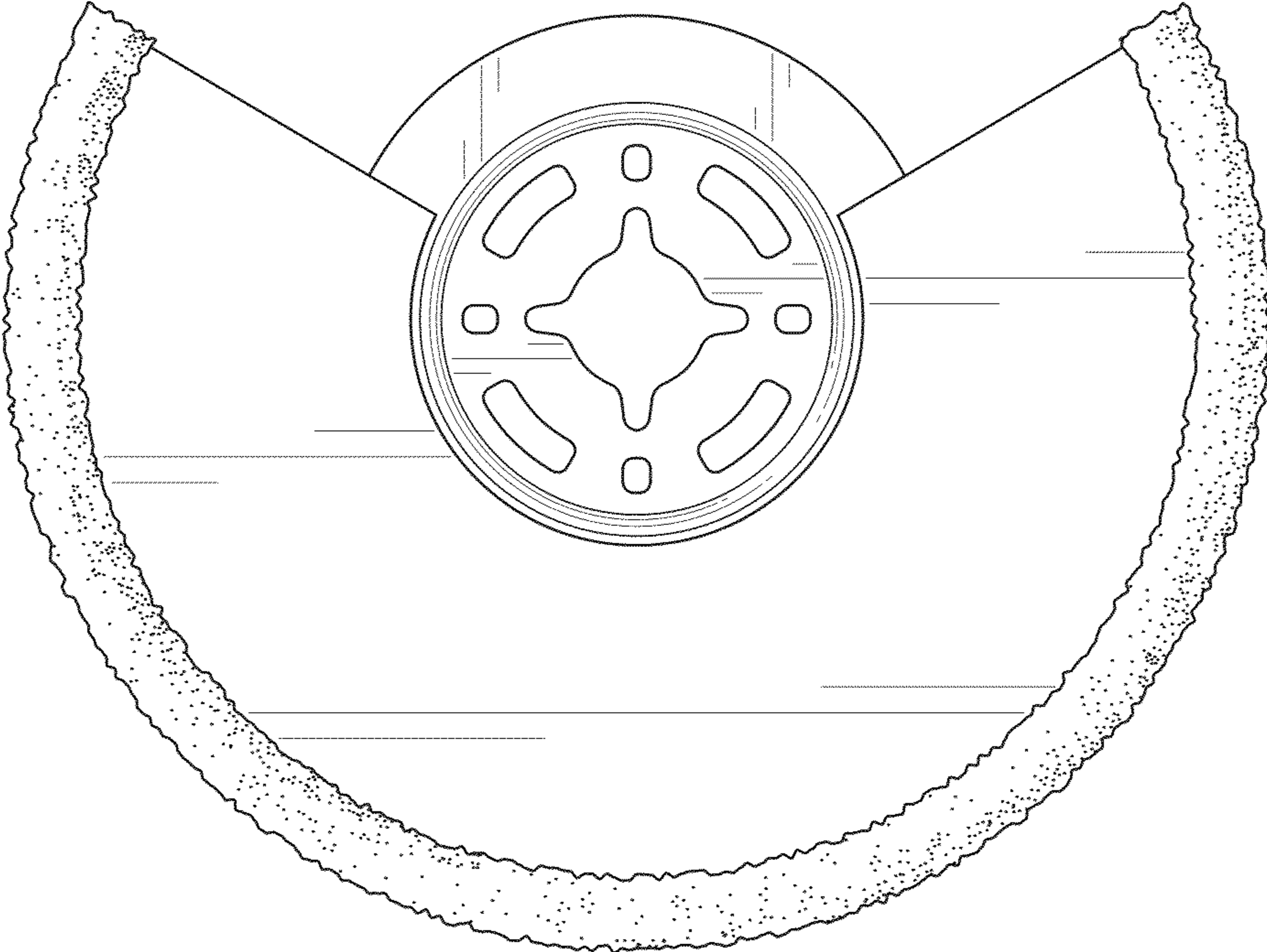


FIG. 3

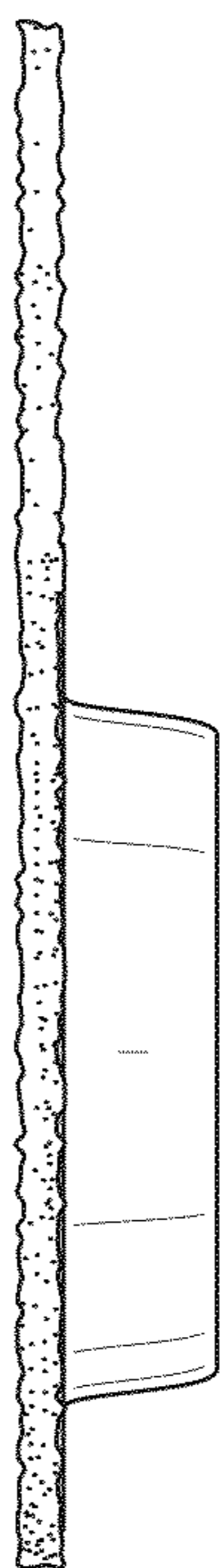


FIG. 4

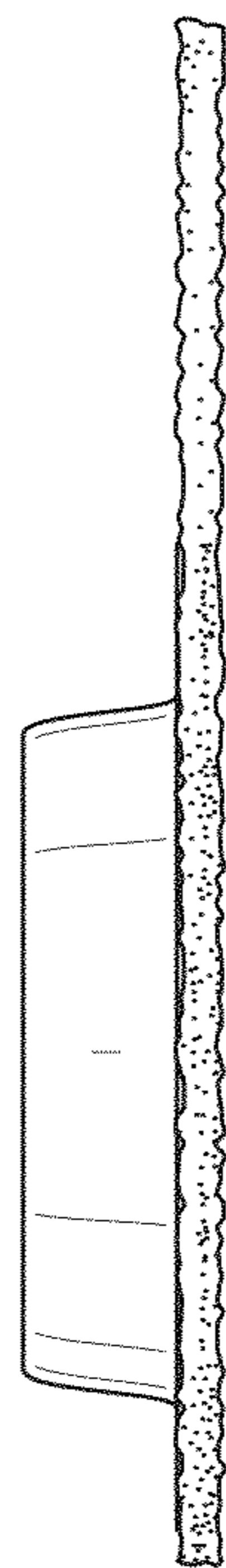


FIG. 5

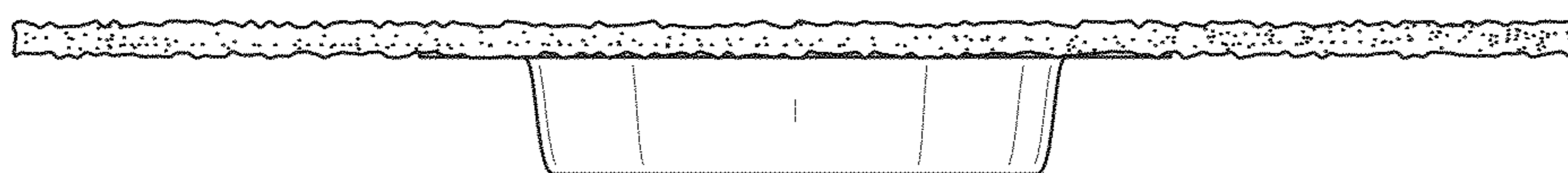


FIG. 6



FIG. 7