



US00D746648S

(12) **United States Design Patent**
Hayden, Jr.

(10) **Patent No.:** **US D746,648 S**
(45) **Date of Patent:** **** Jan. 5, 2016**

- (54) **PIE CUTTER WITH LID**
- (71) Applicant: **Richard Hayden, Jr.**, Arcadia, CA (US)
- (72) Inventor: **Richard Hayden, Jr.**, Arcadia, CA (US)
- (**) Term: **14 Years**
- (21) Appl. No.: **29/493,767**
- (22) Filed: **Jun. 12, 2014**
- (51) **LOC (10) Cl.** **07-04**
- (52) **U.S. Cl.**
USPC **D7/673**
- (58) **Field of Classification Search**
USPC D7/672-677, 669, 693; 30/303, 302,
30/314-316, 289, 165, 117
CPC B26D 3/245; B26B 27/002
See application file for complete search history.

D331,524 S 12/1992 Buday
6,557,260 B1 * 5/2003 Morris 30/114
7,480,999 B2 * 1/2009 Atwater et al. 30/303

* cited by examiner

Primary Examiner — Terry Wallace
(74) *Attorney, Agent, or Firm* — Crossley Patent Law

(57) **CLAIM**
The ornamental design for a pie cutter with lid, as shown and described.

DESCRIPTION

FIG. 1 is a top plan view of a pie cutter with lid showing my new design with a pie cutter pan and a lid separated for clarity; FIG. 2 is a bottom plan view thereof; FIG. 3 is a right side elevation view thereof, the opposite side being a mirror image of the shown; FIG. 4 is a front elevation view thereof, the opposite side being a mirror image of the shown; and, FIG. 5 is an isometric view thereof.

(56) **References Cited**

U.S. PATENT DOCUMENTS

2,403,190 A 7/1946 Parraga
D246,411 S * 11/1977 Blanchard D7/673

1 Claim, 5 Drawing Sheets

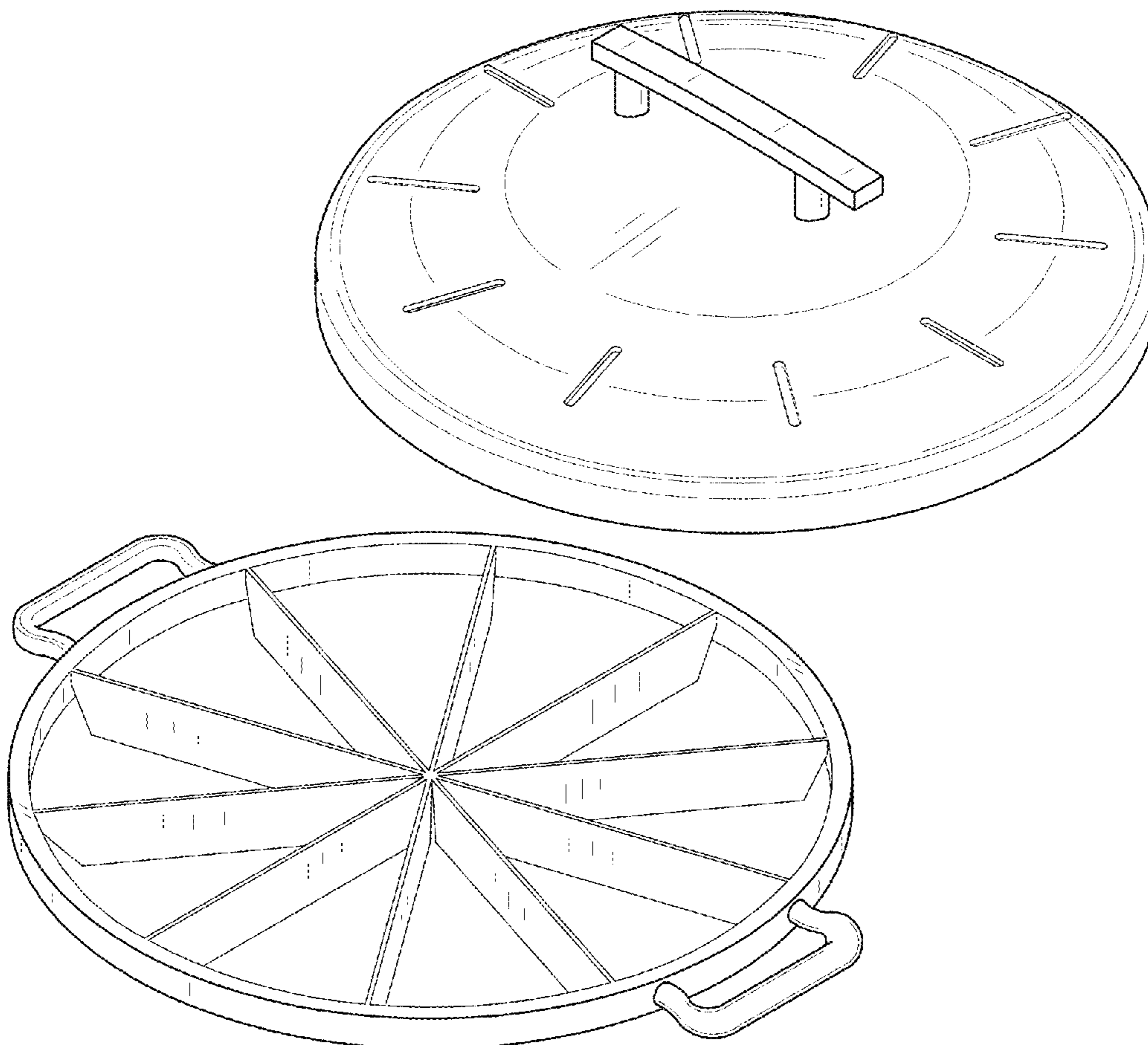


FIG. 1

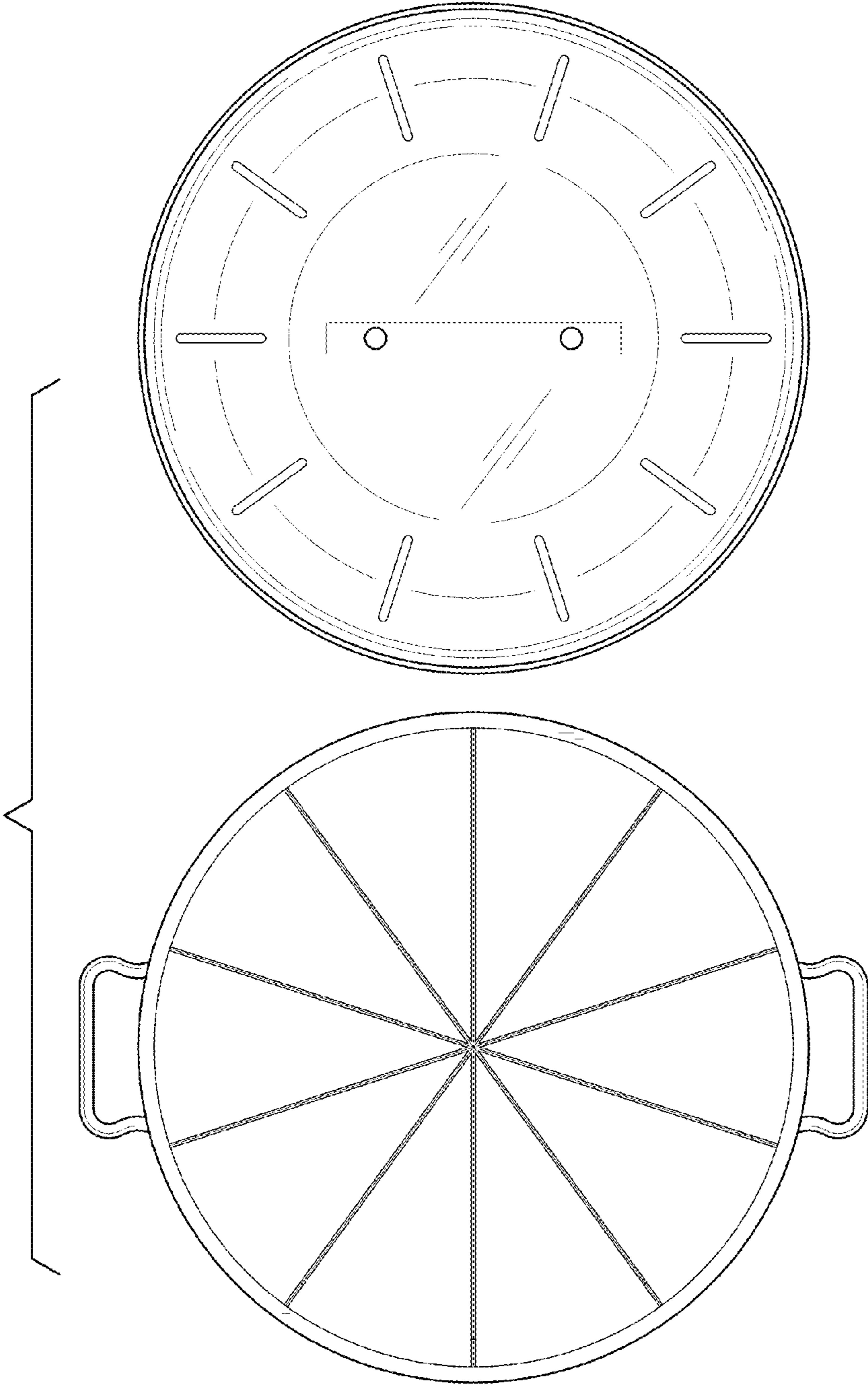


FIG. 2

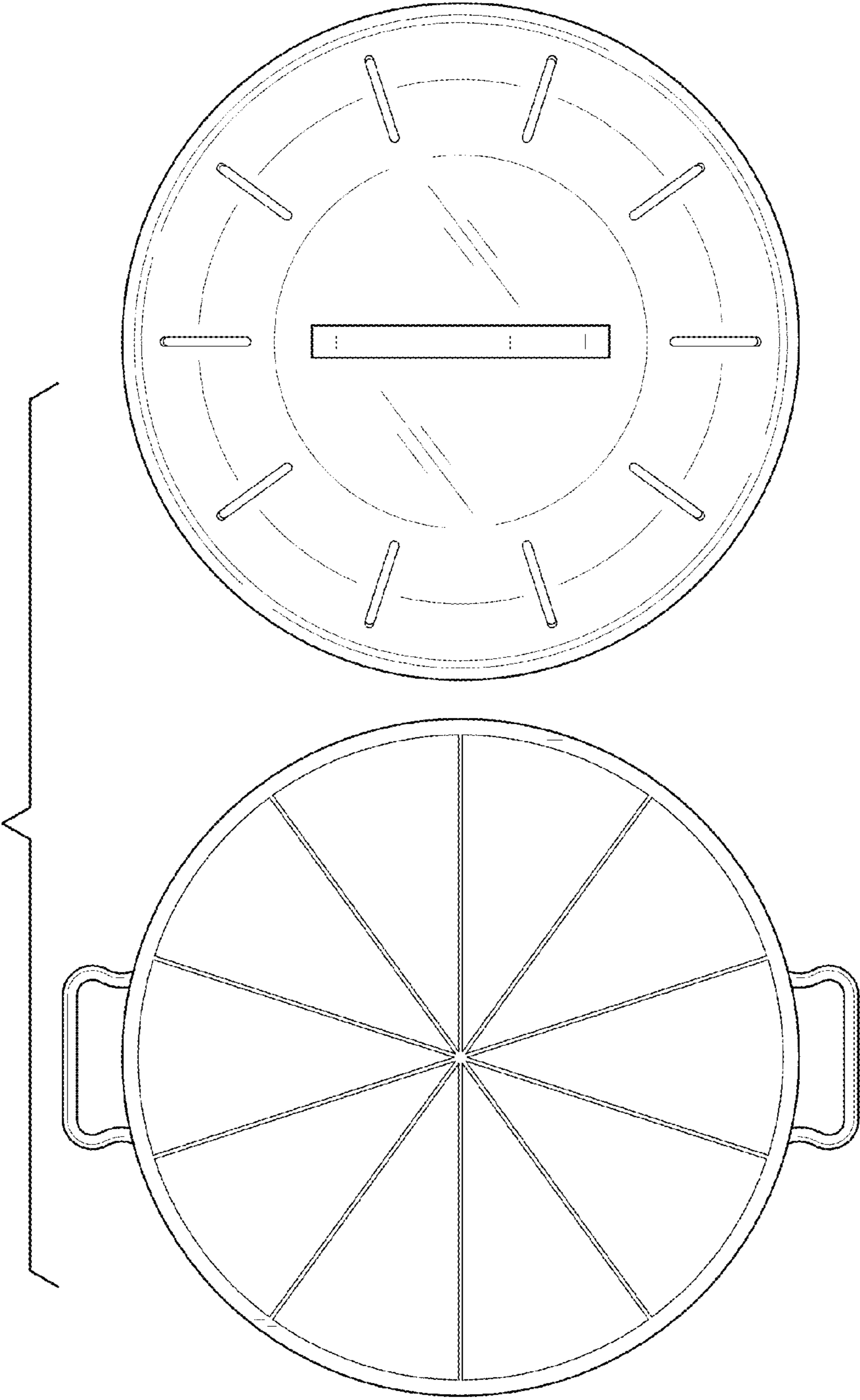


FIG. 3

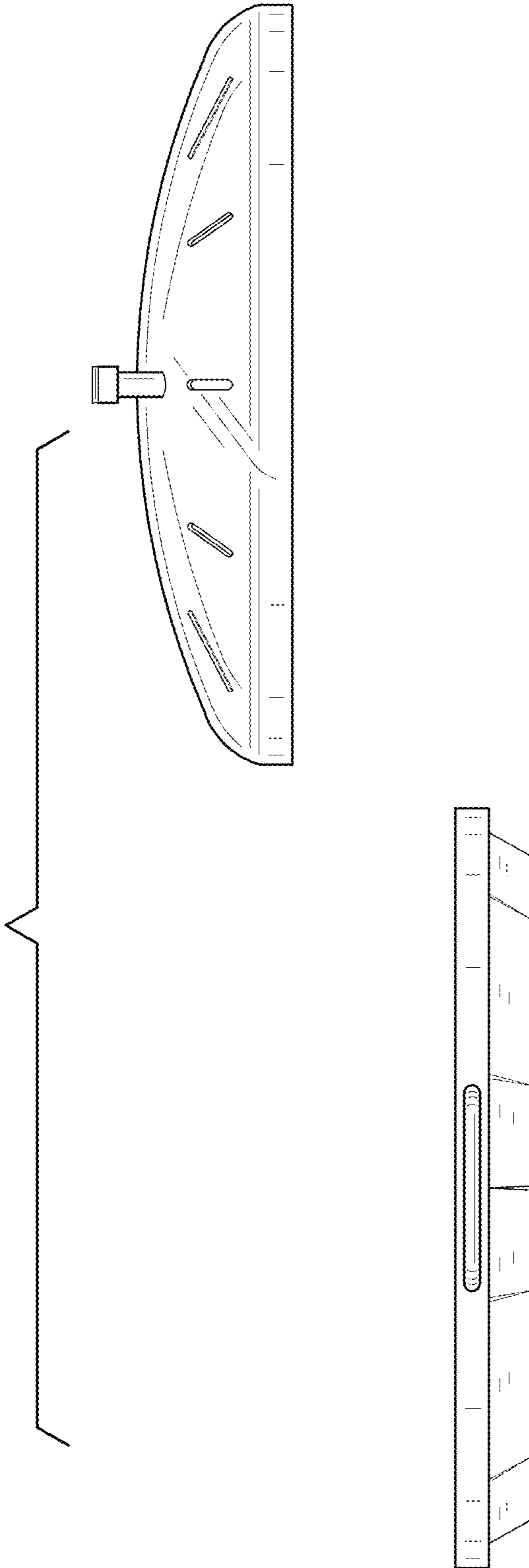
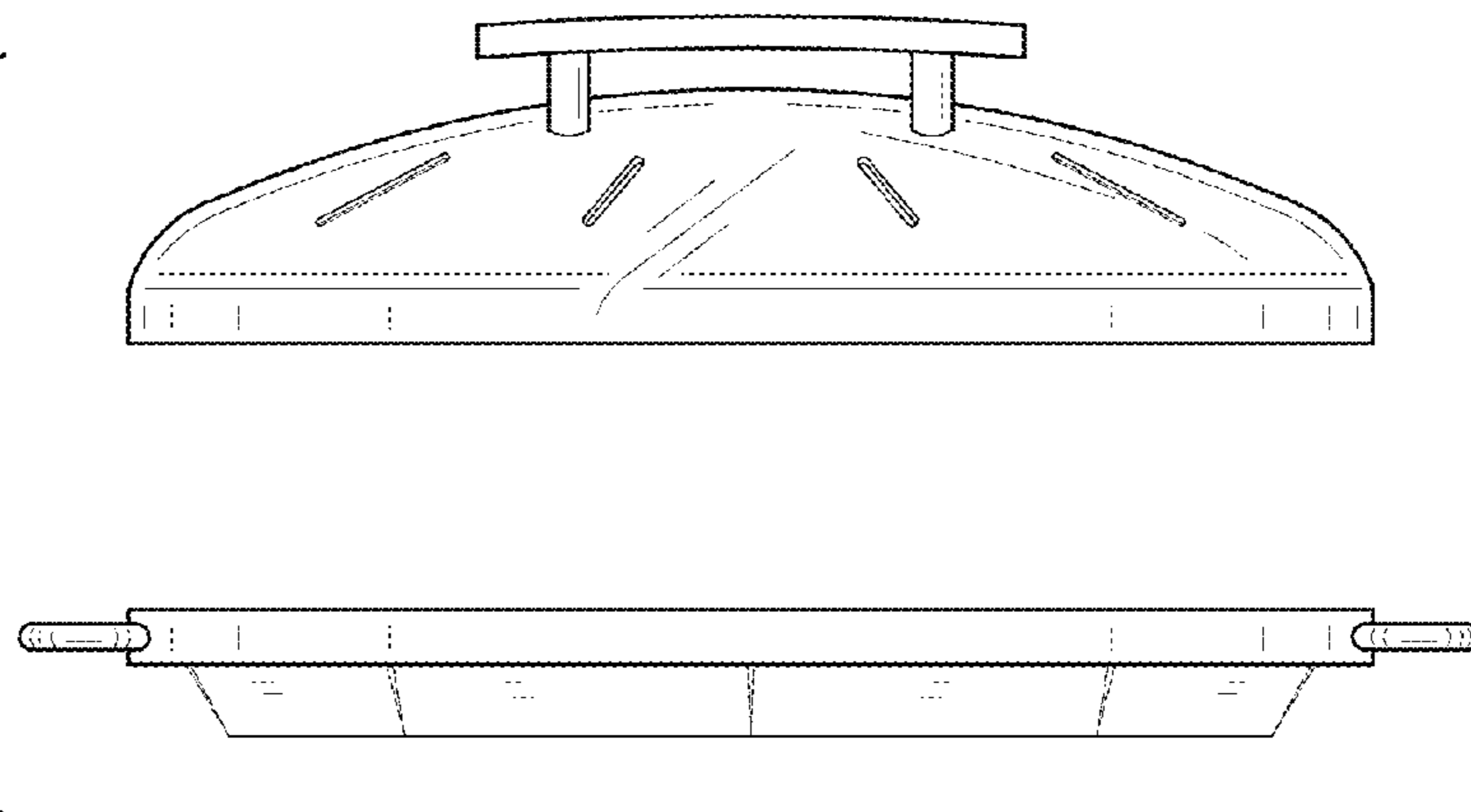


FIG. 4



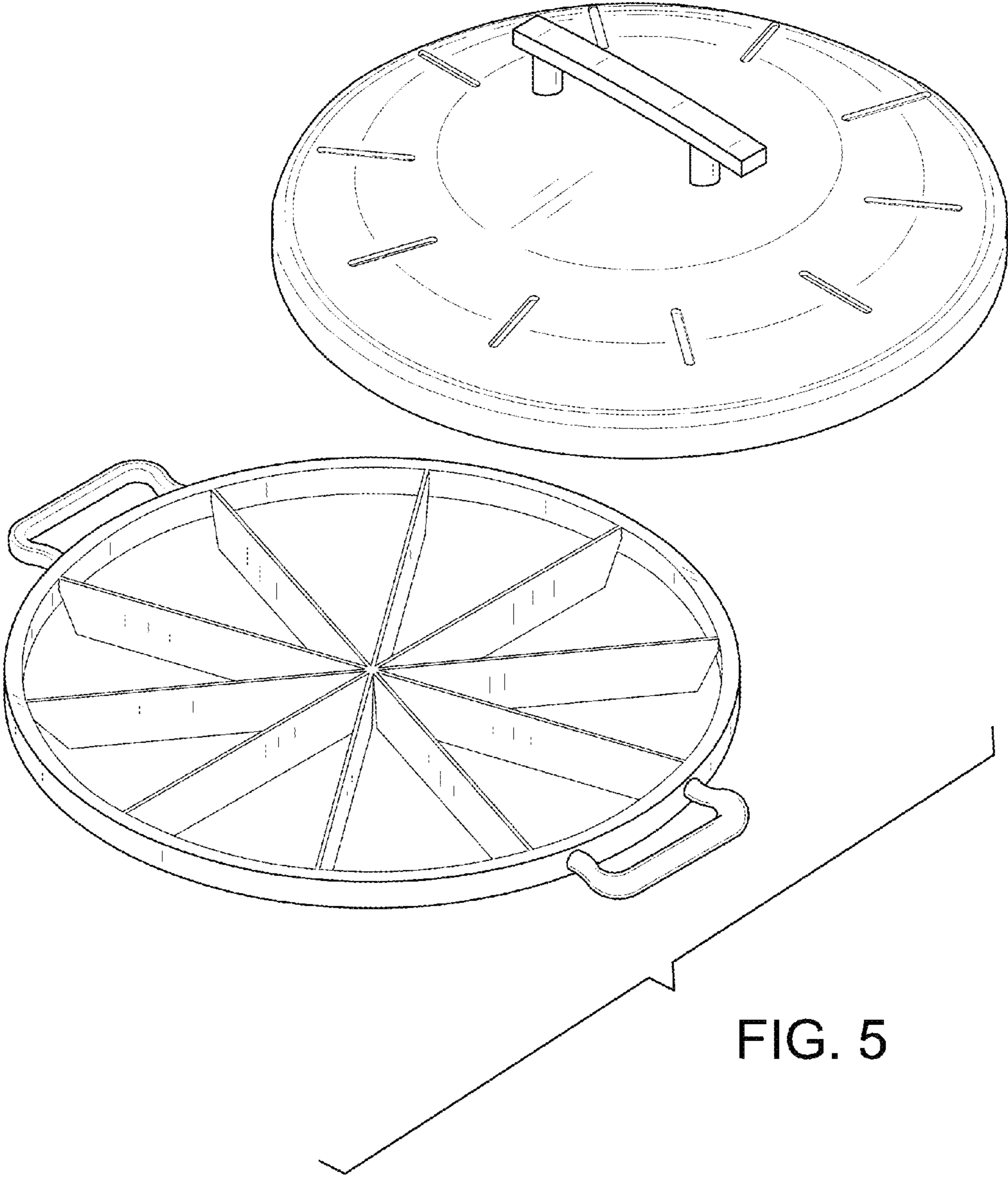


FIG. 5