



US00D746647S

(12) **United States Design Patent**
Roaks

(10) **Patent No.:** **US D746,647 S**
(45) **Date of Patent:** **** Jan. 5, 2016**

(54) **STRAINER**

(71) Applicant: **Vienar Roaks, Västerås (SE)**

(72) Inventor: **Vienar Roaks, Västerås (SE)**

(**) Term: **14 Years**

(21) Appl. No.: **29/493,690**

(22) Filed: **Jun. 12, 2014**

(30) **Foreign Application Priority Data**

Mar. 13, 2014 (EM) 002424788

(51) **LOC (10) Cl.** **07-04**

(52) **U.S. Cl.**
USPC **D7/667**

(58) **Field of Classification Search**
USPC D7/667, 368, 669, 400; 210/464, 768,
210/470-478; 100/110, 116, 213; 99/495,
99/501-513
CPC A47J 43/286; A47J 43/00; A47J 43/28
See application file for complete search history.

(56) **References Cited**

U.S. PATENT DOCUMENTS

D391,440 S *	3/1998	Cousins	D7/360
D473,431 S *	4/2003	Schwamkrug	D7/665
D598,717 S *	8/2009	Jalet	D7/667
D640,512 S *	6/2011	Gorskey	D7/665
D641,216 S *	7/2011	Chen	D7/667
D660,645 S *	5/2012	Zandona	D7/400
2005/0284309 A1 *	12/2005	de Groot	A47J 17/18 99/508

* cited by examiner

Primary Examiner — Terry Wallace

(74) *Attorney, Agent, or Firm* — Kim Winston LLP

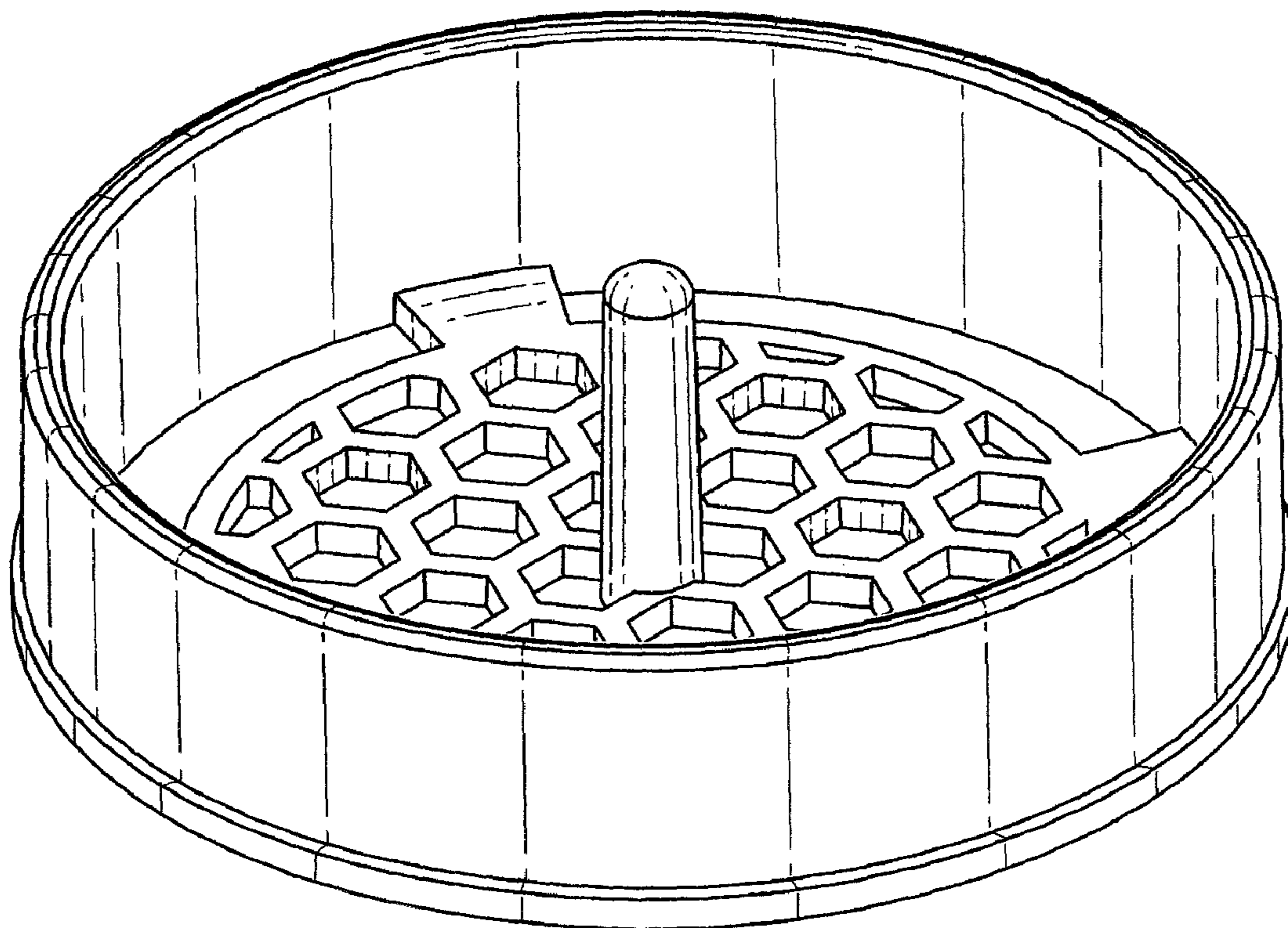
(57) **CLAIM**

The ornamental design for a strainer, as shown and described.

DESCRIPTION

FIG. 1 is a top plan view of a strainer in accordance with the new design;
FIG. 2 is a bottom plan view of the strainer;
FIG. 3 is a side elevation view of the strainer;
FIG. 4 is a top perspective view of the strainer; and
FIG. 5 is a bottom perspective view of the strainer.

1 Claim, 5 Drawing Sheets



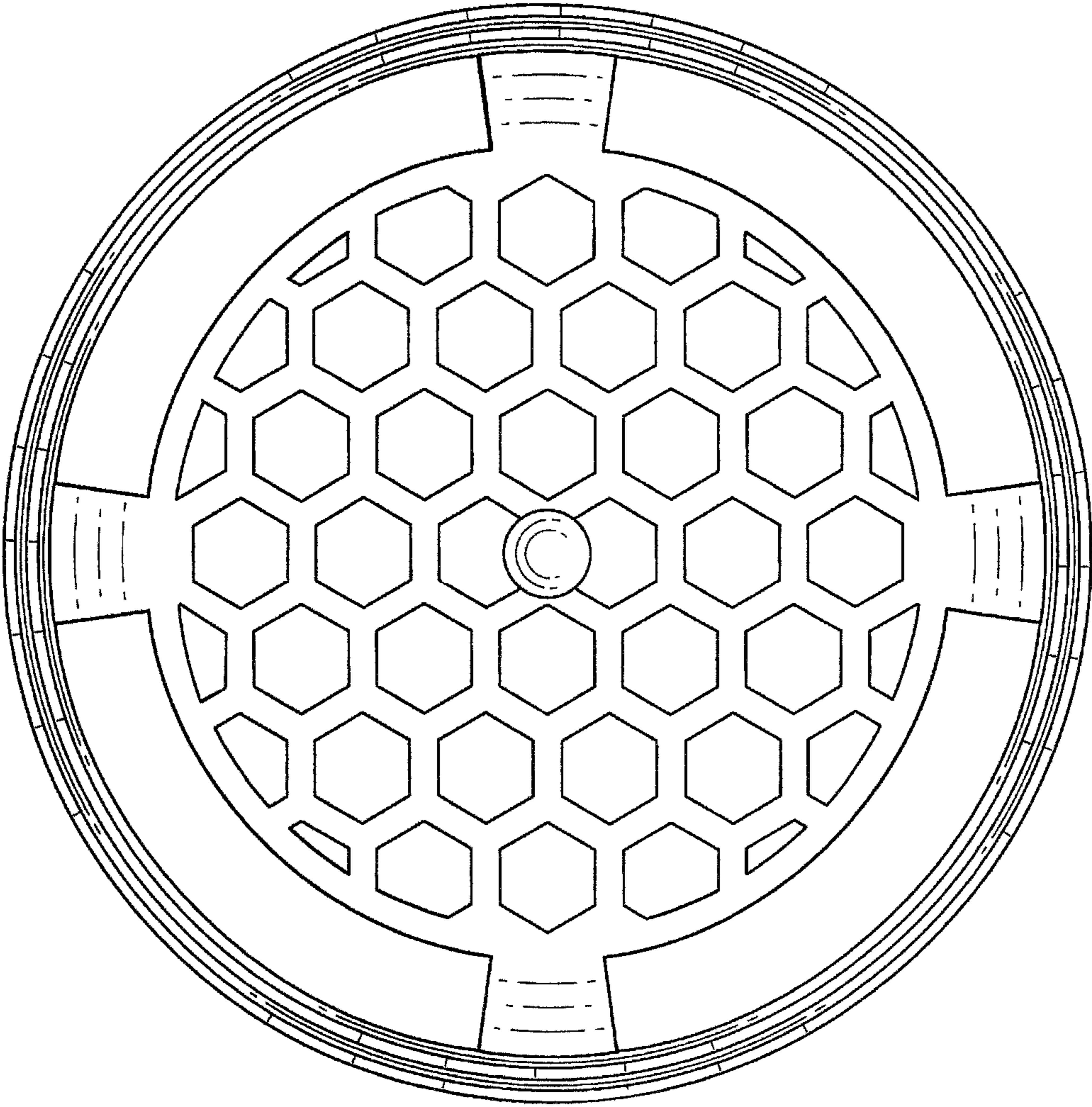


FIG. 1

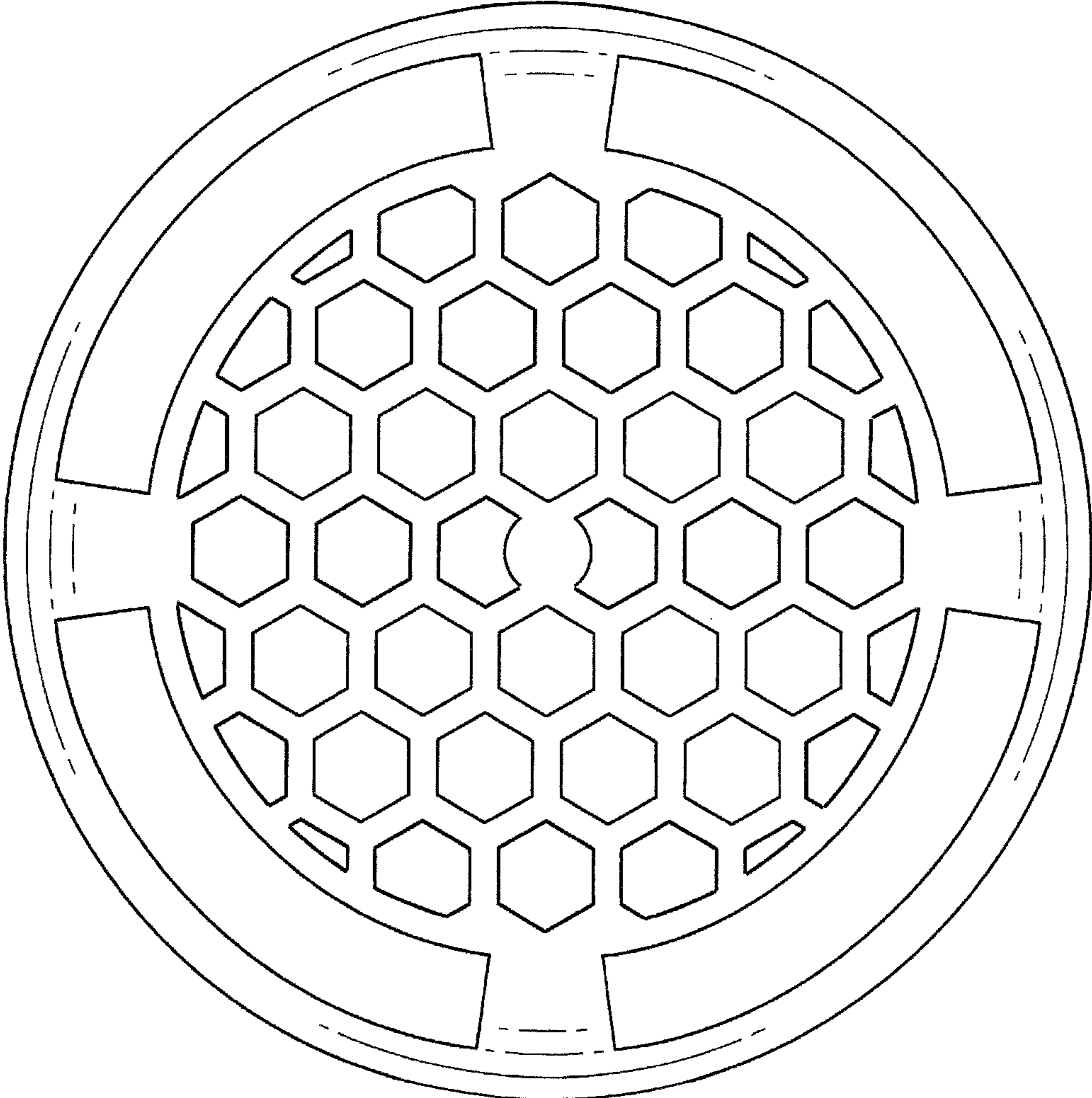


FIG.2

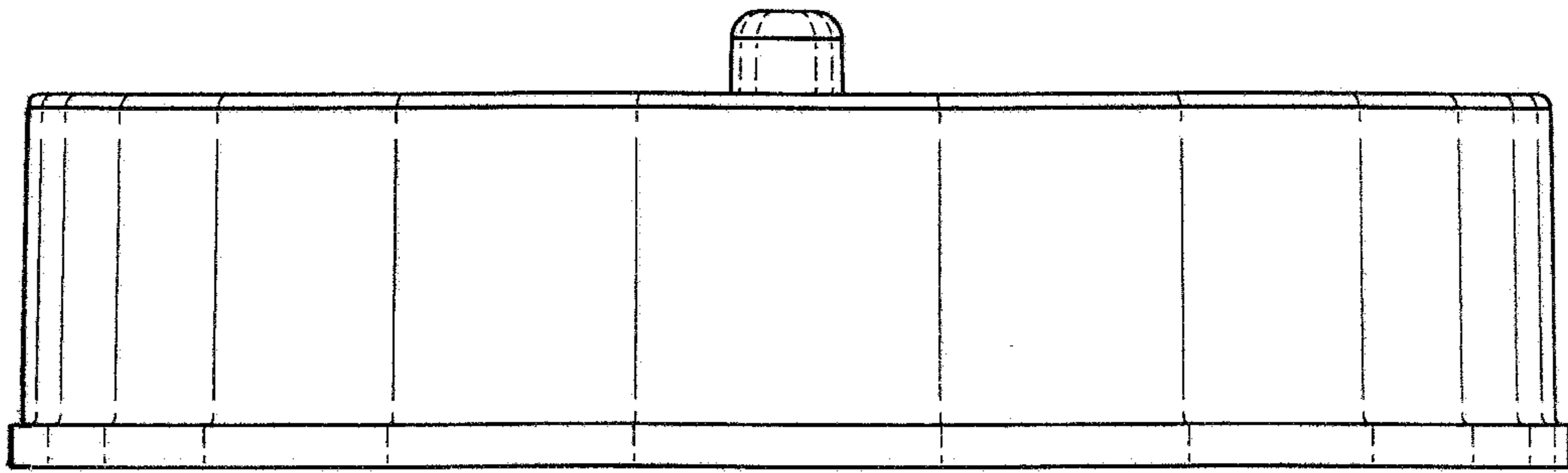


FIG.3

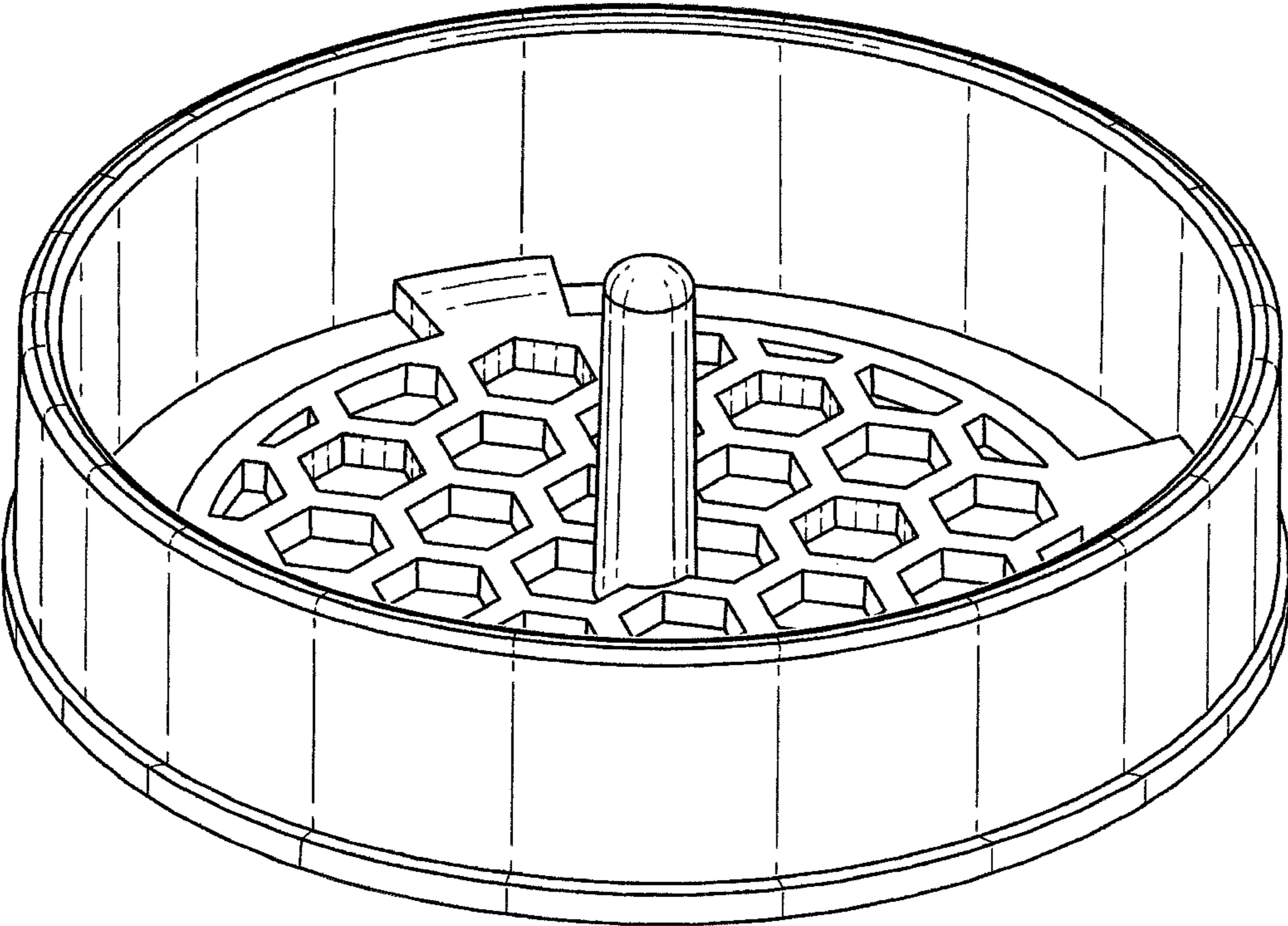


FIG.4

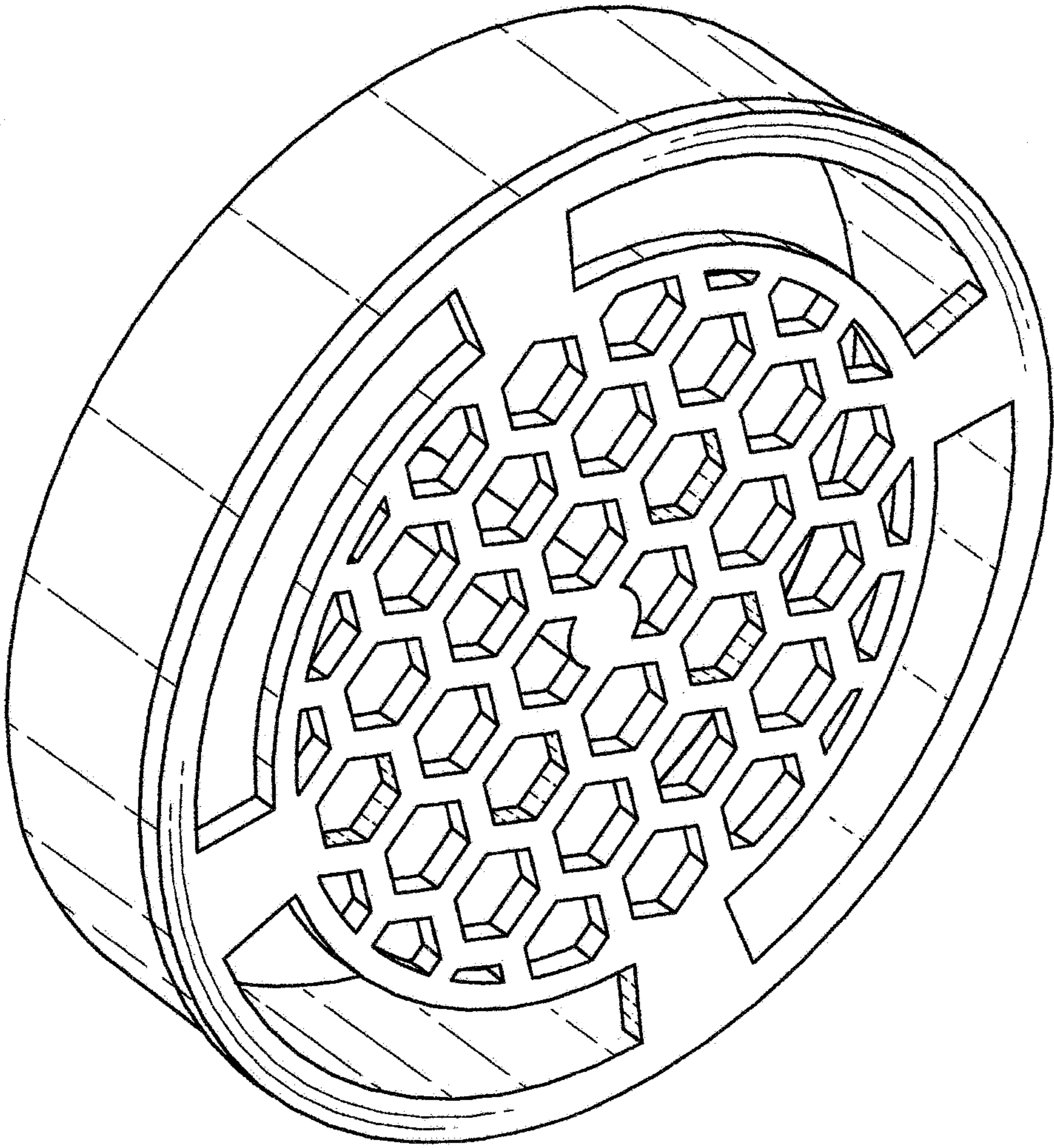


FIG.5