



US00D746646S

(12) **United States Design Patent**
Edry

(10) **Patent No.:** **US D746,646 S**

(45) **Date of Patent:** **** Jan. 5, 2016**

(54) **DISPOSABLE SPOON**

(71) Applicant: **Navigazo Ltd.**, Herzliya (IL)

(72) Inventor: **Yosef Edry**, Yavneh (IL)

(**) Term: **14 Years**

(21) Appl. No.: **29/497,175**

(22) Filed: **Jul. 22, 2014**

(51) **LOC (10) Cl.** **07-03**

(52) **U.S. Cl.**
USPC **D7/653**

(58) **Field of Classification Search**

USPC D7/368, 401.2, 642–645, 653–664, 669,
D7/675–677, 683, 688–689, 691; D8/107,
D8/300–301; D9/436; D10/46.2, 46.3, 57;
D22/117–118

CPC A01D 9/02; A01D 9/04; A01D 9/06;
A47G 21/00; A47G 21/004; A47G 21/005;
A47G 21/02; A47G 21/023; A47G 21/04;
A47G 21/06; A47G 21/08; A47J 43/28;
A47J 43/281; A47J 43/282; A61F 13/10;
A61J 7/0023; B25G 1/00; B25G 1/01; B25G
1/02; B25G 3/00; B65D 75/56; B65D 75/563;
B65D 75/566; B67B 7/00; B67B 7/724;
B67B 7/73

See application file for complete search history.

(56) **References Cited**

U.S. PATENT DOCUMENTS

D191,387	S	*	9/1961	Hansen	D9/436
3,510,643	A	*	5/1970	File	362/26
4,207,673	A	*	6/1980	DiGirolamo et al.	30/142
D374,181	S	*	10/1996	Weterrings	D10/46.3
5,966,814	A	*	10/1999	Lin	30/123
D417,629	S	*	12/1999	Weterrings	D10/46.2
D441,669	S	*	5/2001	Lam	D10/57
7,975,386	B1	*	7/2011	Halvorson	30/141
D662,367	S	*	6/2012	Boozer et al.	D7/653
D673,424	S	*	1/2013	Topur	D7/401.2
D727,691	S	*	4/2015	Wang	D7/644
D732,352	S	*	6/2015	Ebli	D7/653
2008/0072432	A1	*	3/2008	Teys et al.	30/125

* cited by examiner

Primary Examiner — Ricky Pham

(74) *Attorney, Agent, or Firm* — Perel—Intellectual Property Law

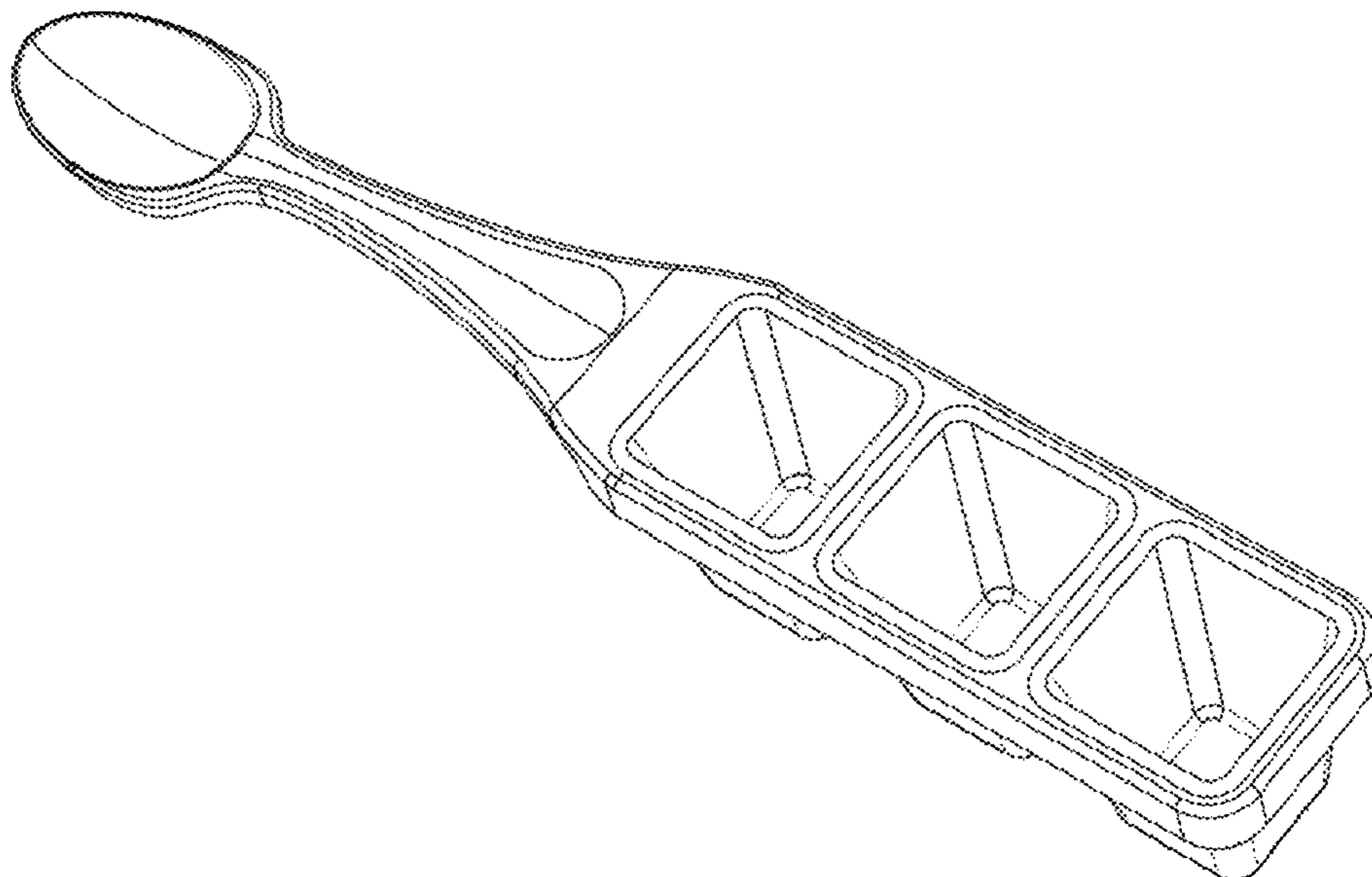
(57) **CLAIM**

The ornamental design for a disposable spoon, as shown.

DESCRIPTION

FIG. 1 is an enlarged back view of a disposable spoon showing my new design;
FIG. 2 is a front view thereof;
FIG. 3 is a right view thereof;
FIG. 4 is a left view thereof;
FIG. 5 is a bottom view thereof;
FIG. 6 is a top view thereof;
FIG. 7 is a perspective view thereof; and,
FIG. 8 is a perspective view thereof.

1 Claim, 8 Drawing Sheets



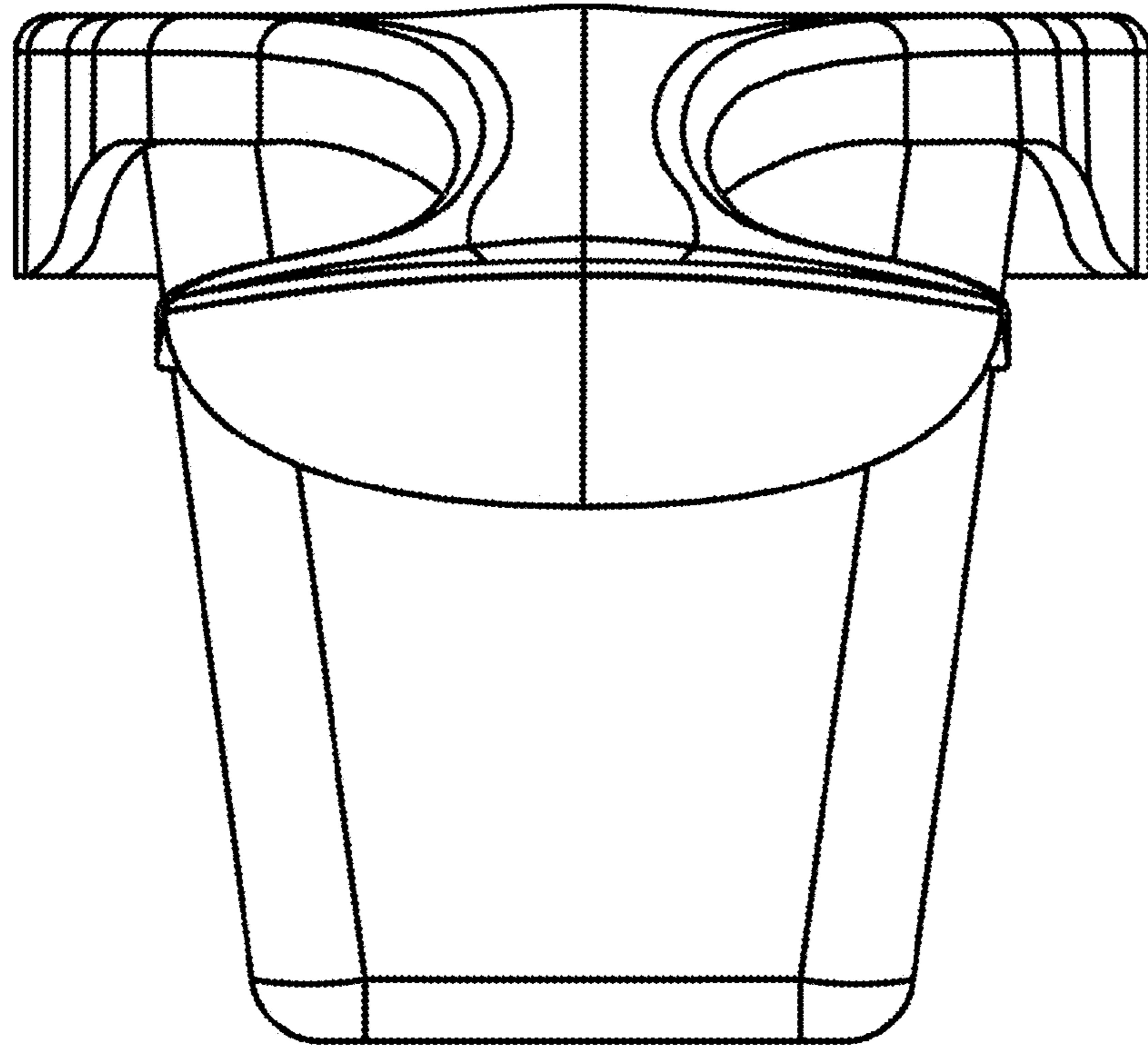


Fig. 1

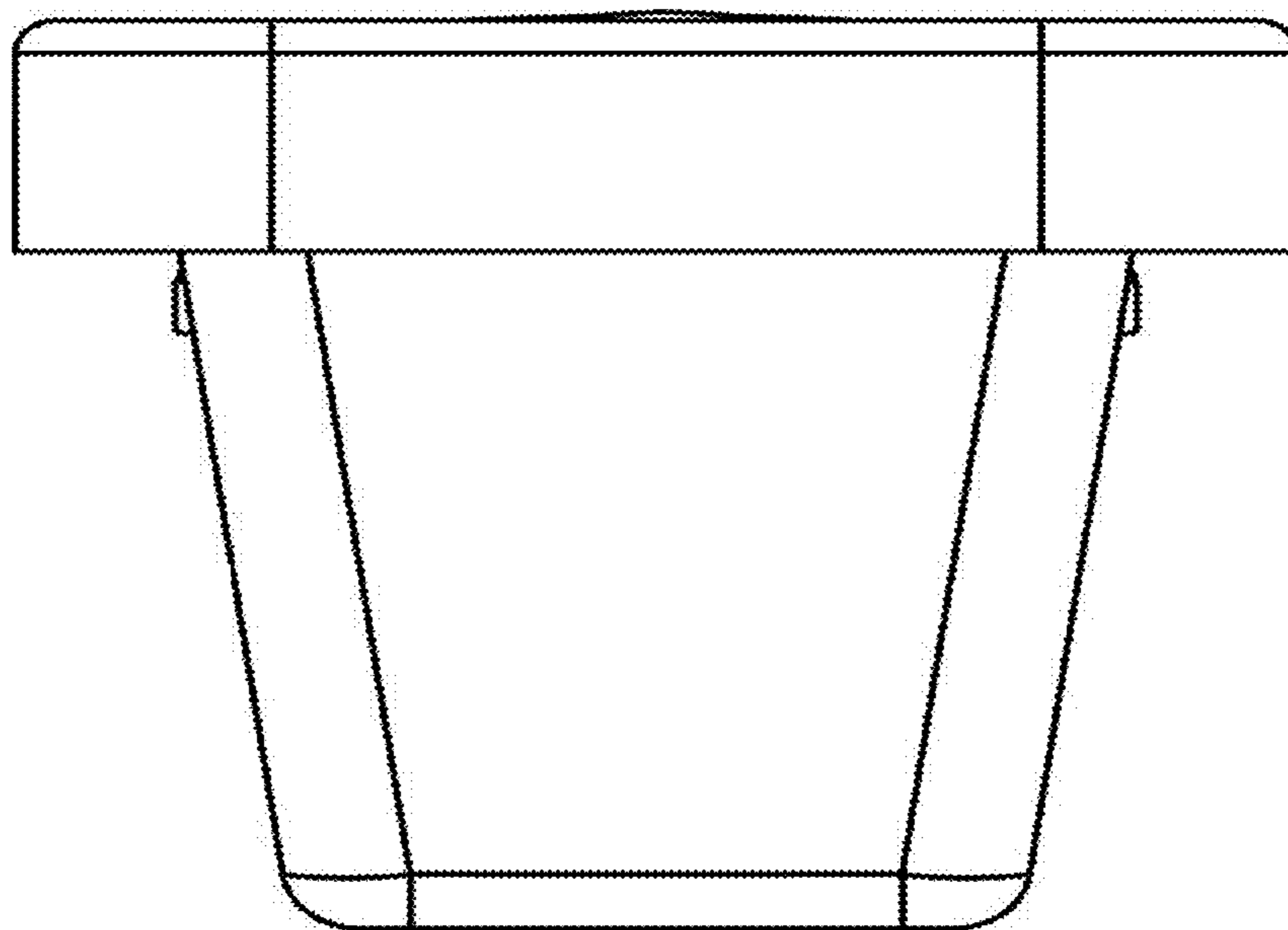


Fig. 2

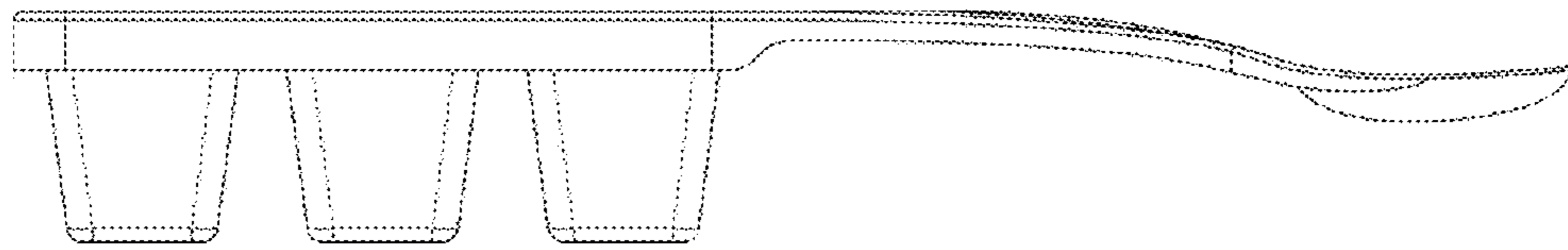


Fig. 3

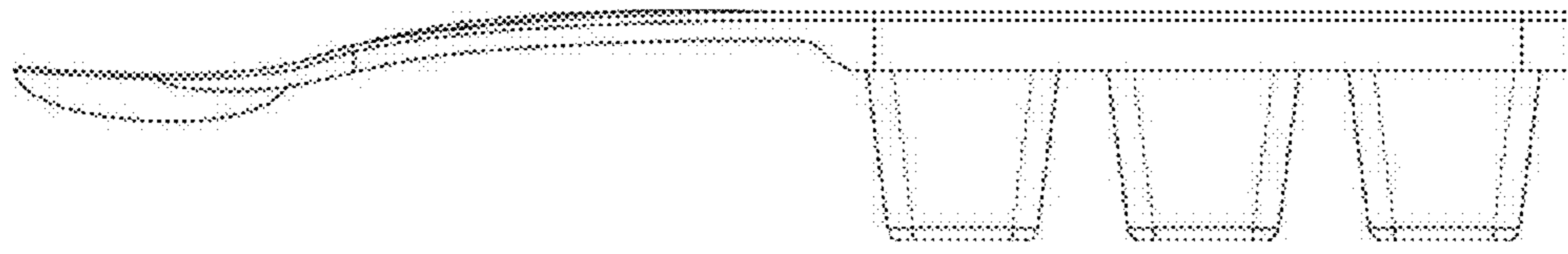


Fig. 4

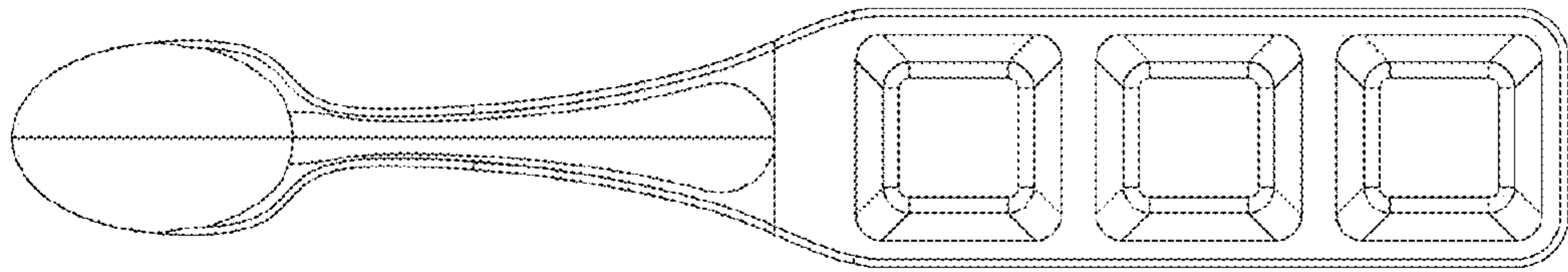


Fig. 5

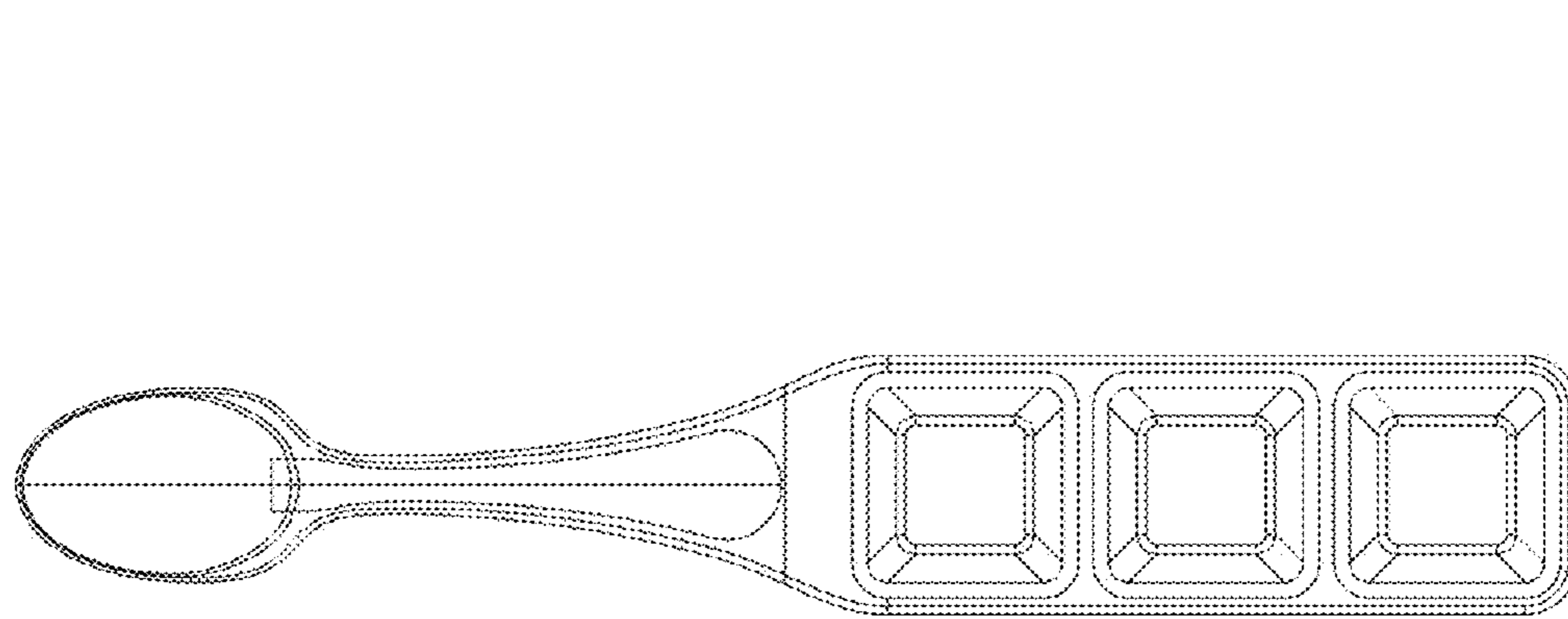


Fig. 6

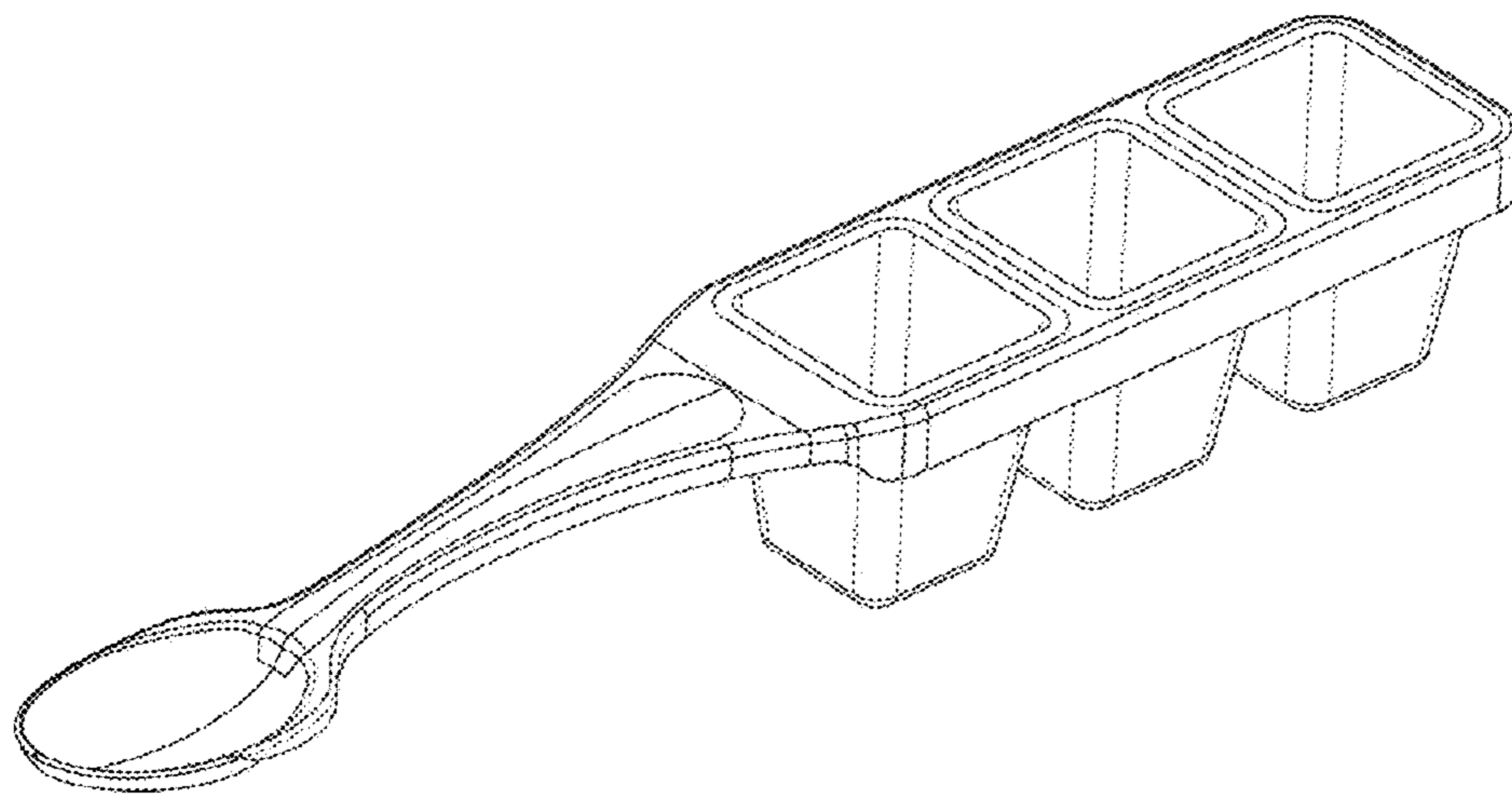


Fig. 7

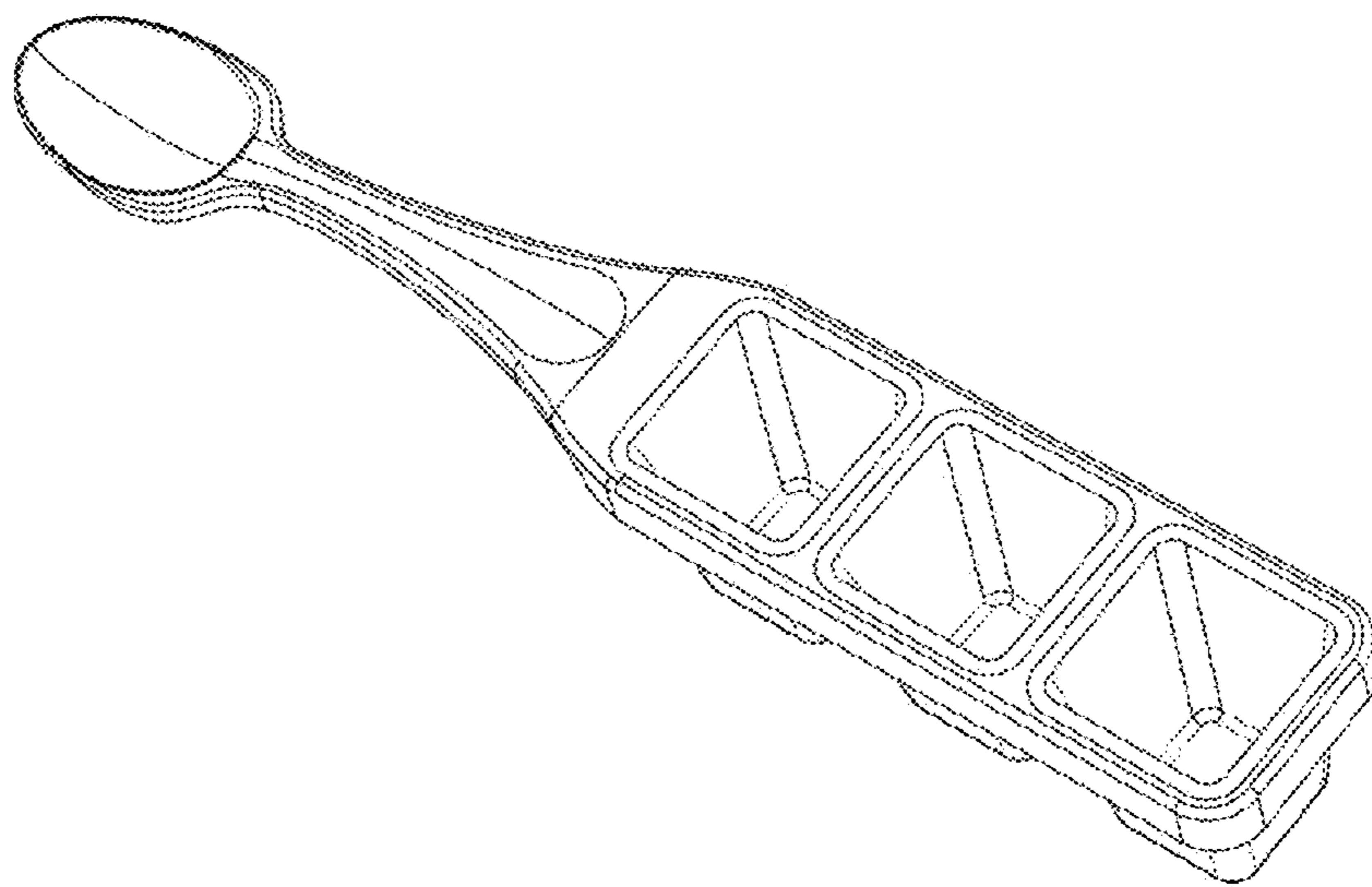


Fig. 8