



US00D746641S

(12) **United States Design Patent**  
**Panone et al.**

(10) **Patent No.:** **US D746,641 S**  
(45) **Date of Patent:** **\*\* Jan. 5, 2016**

(54) **BENTO BOX FOOD CONTAINER**

(71) Applicants: **Aaron Brooks Panone**, Somerville, MA (US); **Joshua Isaac Nielsen Resnikoff**, Somerville, MA (US)

(72) Inventors: **Aaron Brooks Panone**, Somerville, MA (US); **Joshua Isaac Nielsen Resnikoff**, Somerville, MA (US)

(73) Assignee: **JRAP Inc.**, Somerville, MA (US)

(\*\*) Term: **14 Years**

(21) Appl. No.: **29/455,757**

(22) Filed: **May 23, 2013**

(51) **LOC (10) Cl.** ..... **07-01**

(52) **U.S. Cl.**  
USPC ..... **D7/602**

(58) **Field of Classification Search**  
USPC ..... D7/620, 608, 510, 511, 515, 901, 606, D7/536, 604, 623, 624.1, 624.2, 601-602, D7/388, 603, 619.1-625, 605, 607, 509, D7/514, 709, 710, 628, 629, 630, 632, 633, D7/634; D9/668, 444, 455, 501, 435, 451, D9/434, 499; 248/156, 346.11, 146, 530, 248/545, 546, 309.1, 311.1, 311.2, 311.3, 248/314; 211/74, 75, 71.01; 220/410, 220/592.16, 592.17, 738, 902, 903, 737, 220/739, 740, 741, 742, 780, 781, 782, 783, 220/784, 790, 791, 792, 794, 574, 669, 675, 220/4.21-4.27, 656-659; 215/11.6, 386, 215/387, 388, 389, 390, 393, 394, 395, 396, 215/399; 229/89-91; 224/148.1-148.6; D22/147; D12/411; 206/467, 505, 206/521.1, 541, 564, 315.1, 556, 326, 385  
CPC ..... B60N 3/102; B60N 3/103; B60N 3/10; A47G 23/0216; A47G 23/02; A47G 23/00; A47G 23/0266; A47G 23/0241; A47G 19/22; A61H 2003/002; A45F 5/02; A45F 5/10; A61J 9/06; A61J 2009/0623; A47J 45/075; B65D 23/106; B65D 25/22

See application file for complete search history.

(56) **References Cited**

U.S. PATENT DOCUMENTS

D221,625 S \* 8/1971 Kinney et al. .... D9/428  
D241,228 S \* 8/1976 Boduch ..... D7/523  
D270,513 S \* 9/1983 Wallsten ..... D7/400  
4,653,469 A \* 3/1987 Miyaji et al. .... A47J 27/002  
126/390.1

(Continued)

OTHER PUBLICATIONS

64 oz Round Pastic Food Containers, [online], retrieved on Sep. 14, 2015. Retrieved from, <URL: <http://www.nashvillewraps.com/candy-boxes/clear-food-containers/sku-rm64.html>>, 1 page.\*

*Primary Examiner* — Ian Simmons

*Assistant Examiner* — Shannon Morgan

(74) *Attorney, Agent, or Firm* — Stahl Law Firm

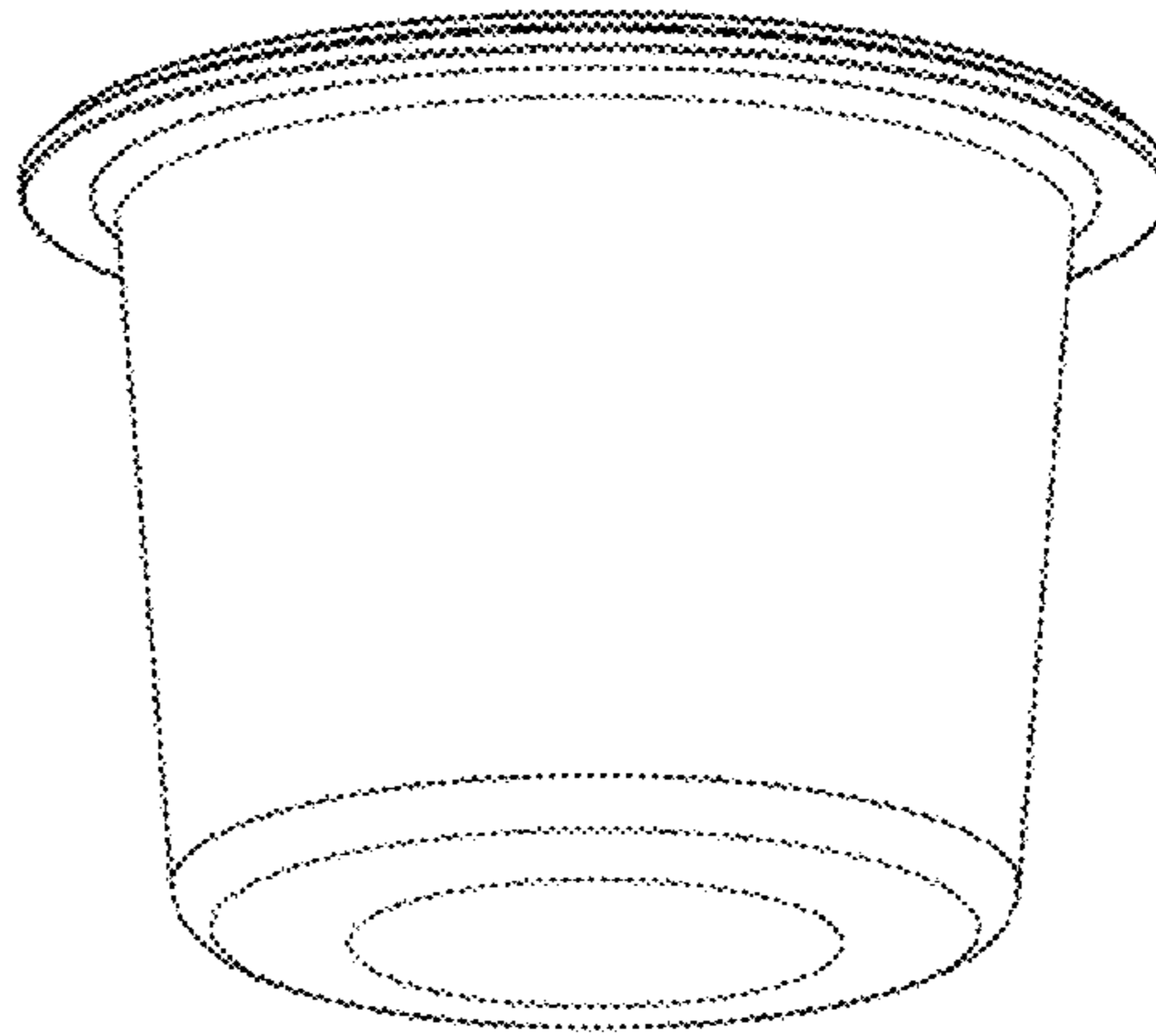
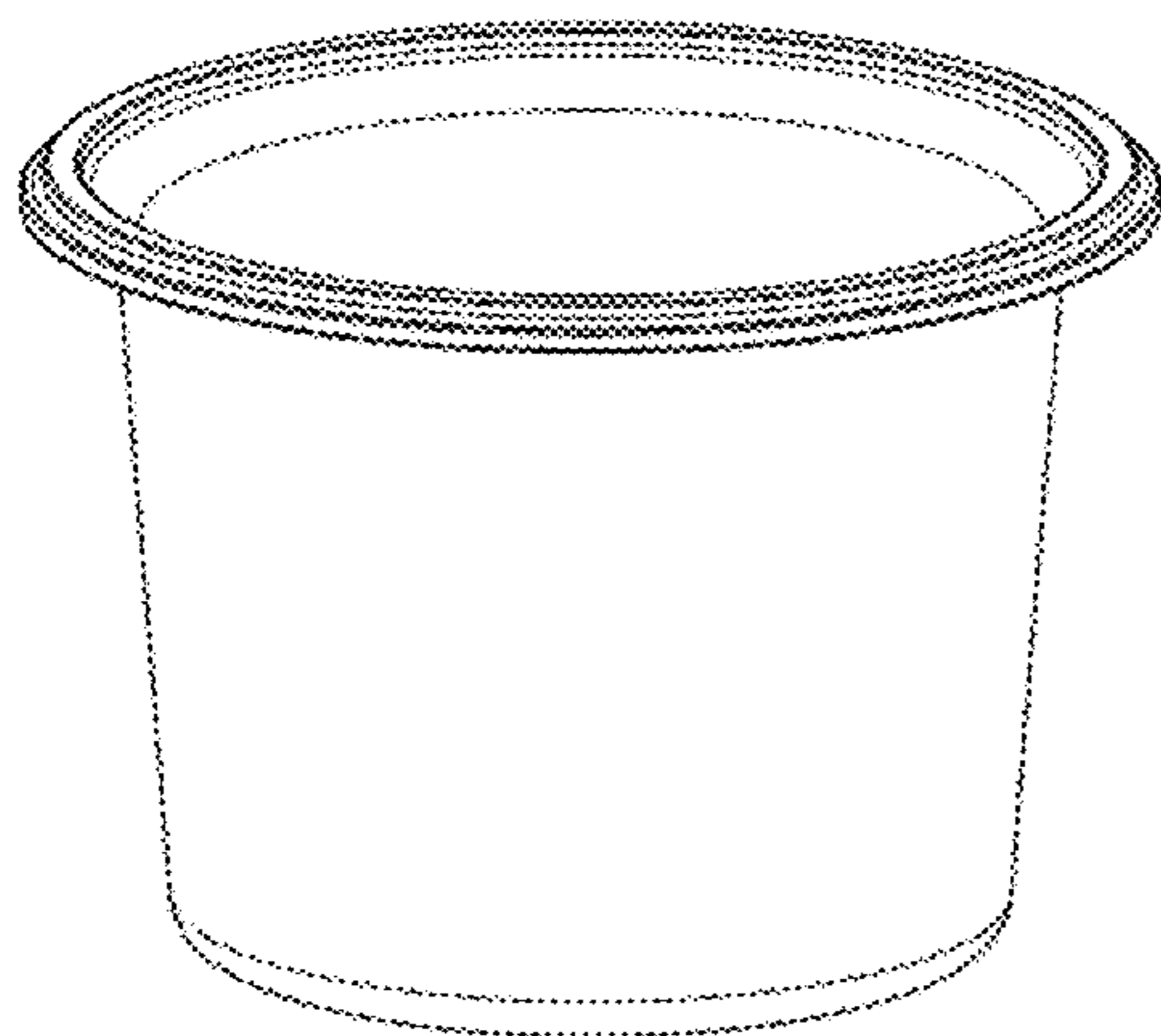
(57) **CLAIM**

The ornamental design for a bento box food container, as shown and described.

**DESCRIPTION**

FIG. 1 is a side, top perspective view of a bento box food container showing our new design;  
FIG. 2 is a side, bottom perspective view thereof;  
FIG. 3 is a top plan view thereof;  
FIG. 4 is a bottom plan view thereof;  
FIG. 5 is a side elevational view thereof;  
FIG. 6 is a cross-sectional view taken along the line 5-5 of FIG. 5;  
FIG. 7 is a side, top perspective view of a bento box food container shown in FIG. 1;  
FIG. 8 is a side plan view thereof; and,  
FIG. 9 is a cross-sectional view taken along 8-8 of FIG. 8.  
The broken lines showing a jar in FIGS. 7-9 of the bento box food container are for the purpose of illustrating environment, and form no part of the claimed design.

**1 Claim, 9 Drawing Sheets**



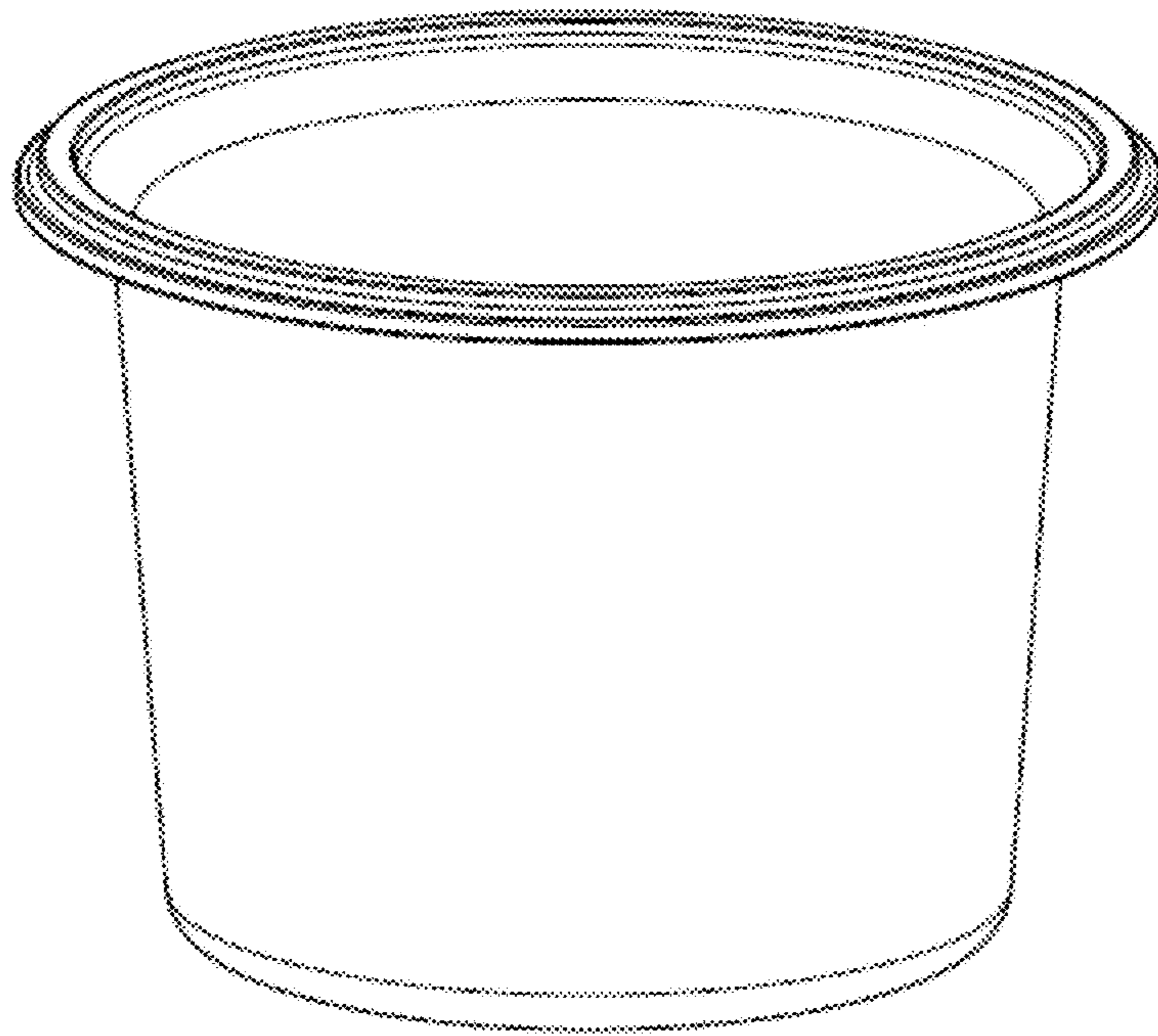
(56)

References Cited

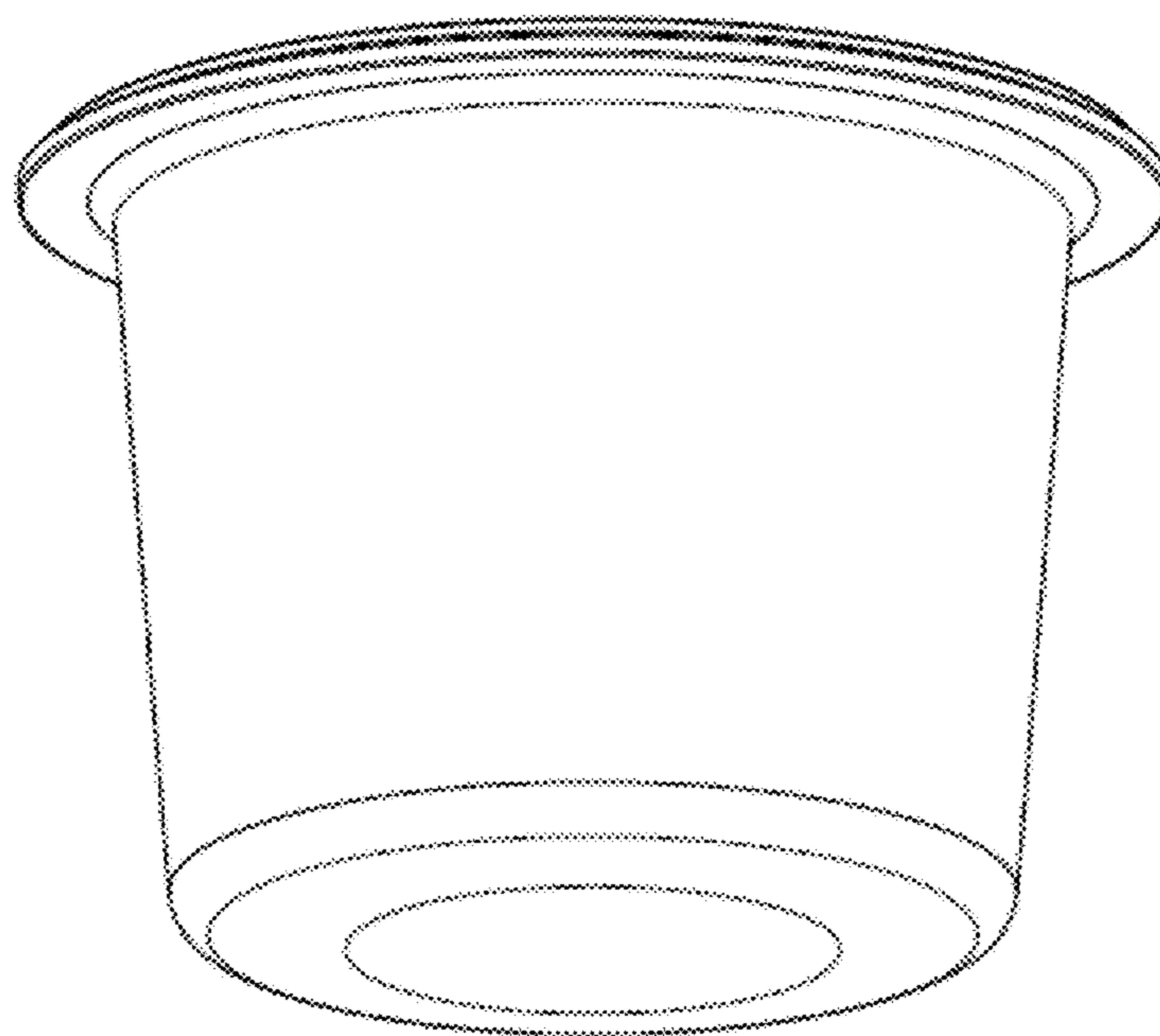
U.S. PATENT DOCUMENTS

D301,821 S *	6/1989	Bartolo	D7/608	D737,678 S *	9/2015	Danenberg	D9/428
D426,160 S *	6/2000	Lindsay	D9/500	2005/0017013 A1 *	1/2005	Peisach	B65D 1/42 220/609
D429,150 S *	8/2000	Lindsay	D7/602	2006/0172412 A1 *	8/2006	Perrier	C12M 25/04 435/297.5
D438,794 S *	3/2001	Miles	D9/425	2006/0185526 A1 *	8/2006	Wong	A23G 9/08 99/425
D577,288 S *	9/2008	Wilson	D9/428	2010/0064899 A1 *	3/2010	Aardenburg	A47J 31/3633 99/295
D606,363 S *	12/2009	Aardenburg	D7/400	2010/0288131 A1 *	11/2010	Kilber	B65D 85/8043 99/295
D642,454 S *	8/2011	Santoiemmo	D9/428	2010/0303964 A1 *	12/2010	Beaulieu	B65D 85/8043 426/77
D645,340 S *	9/2011	Menard	D9/428	2012/0097602 A1 *	4/2012	Tedford	B65D 65/466 210/500.1
D649,054 S *	11/2011	Sharma	D7/630	2013/0098916 A1 *	4/2013	Charles	B65D 25/00 220/507
D652,266 S *	1/2012	Smyers	D7/630	2013/0209619 A1 *	8/2013	Mahlich	B65D 1/26 426/115
8,465,817 B2 *	6/2013	Hatano	B29C 51/04 220/660	2013/0228575 A1 *	9/2013	Helou, Jr.	B65D 65/466 220/62.11
D685,263 S *	7/2013	Danenberg	D9/428	2013/0233898 A1 *	9/2013	Resnikoff	B65D 47/06 222/568
8,529,974 B2 *	9/2013	Ortiz	B65D 1/265 206/804	2014/0332541 A1 *	11/2014	Guo	A47G 19/2288 220/592.24
D695,110 S *	12/2013	Houlton	D9/500				
D698,649 S *	2/2014	Quint	D7/400				
D700,839 S *	3/2014	O'Brien	D9/429				
D701,076 S *	3/2014	Baratelli	D7/354				
D707,489 S *	6/2014	Hertaus	D7/397				
D715,649 S *	10/2014	O'Brien	D9/500				
D725,438 S *	3/2015	Panone	D7/602				

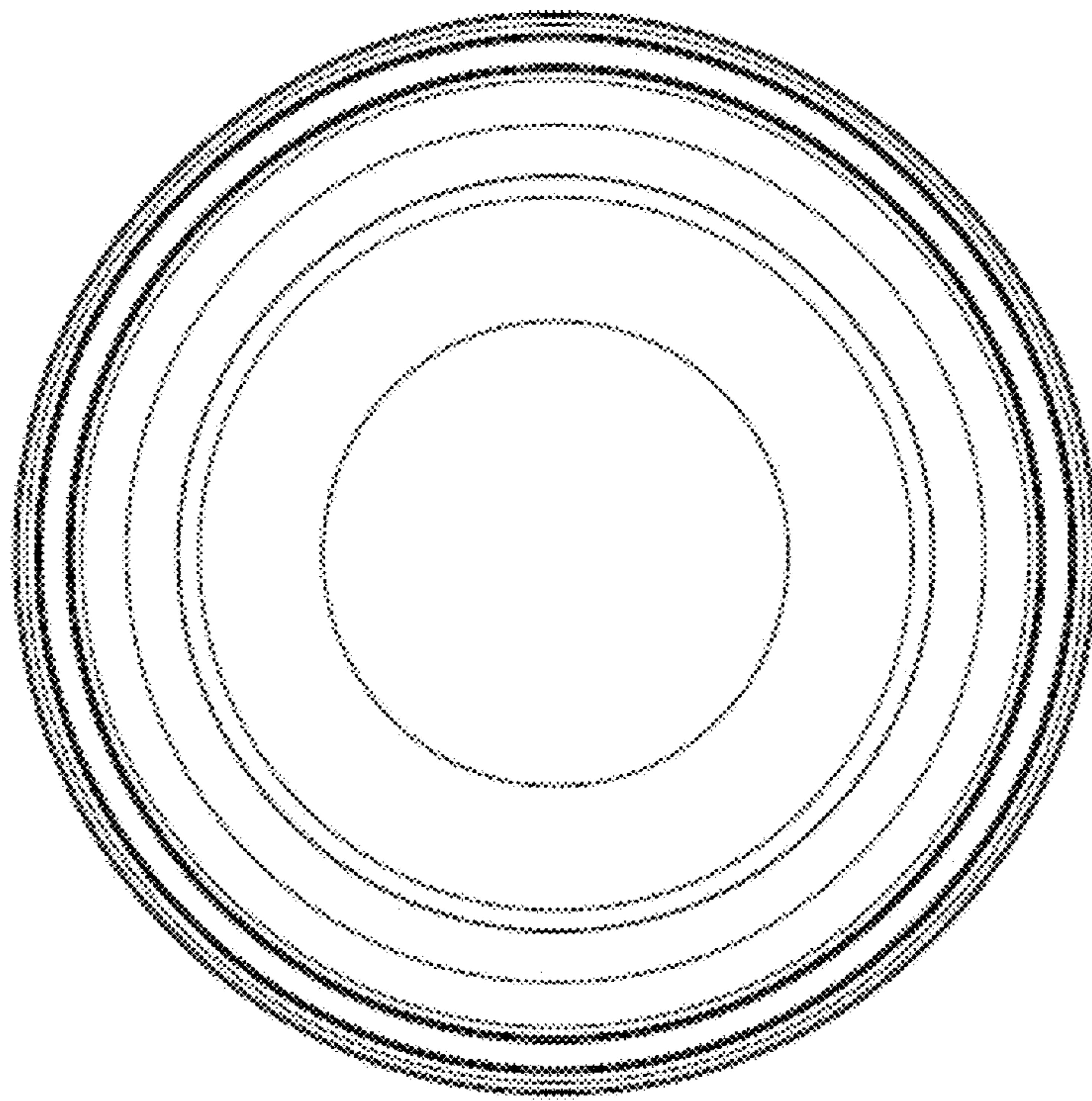
\* cited by examiner



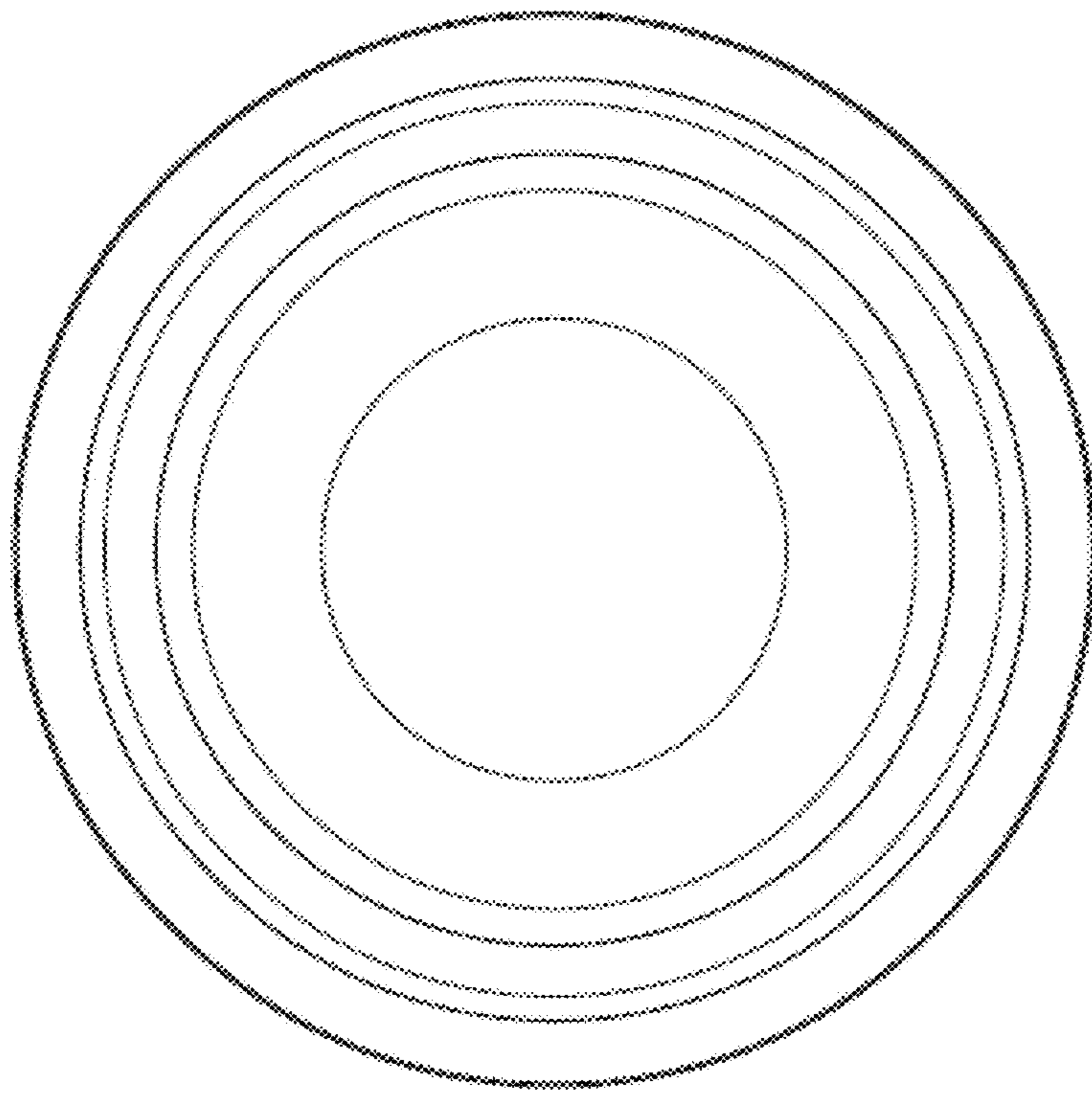
**Fig. 1**



**Fig. 2**



**Fig. 3**



**Fig. 4**

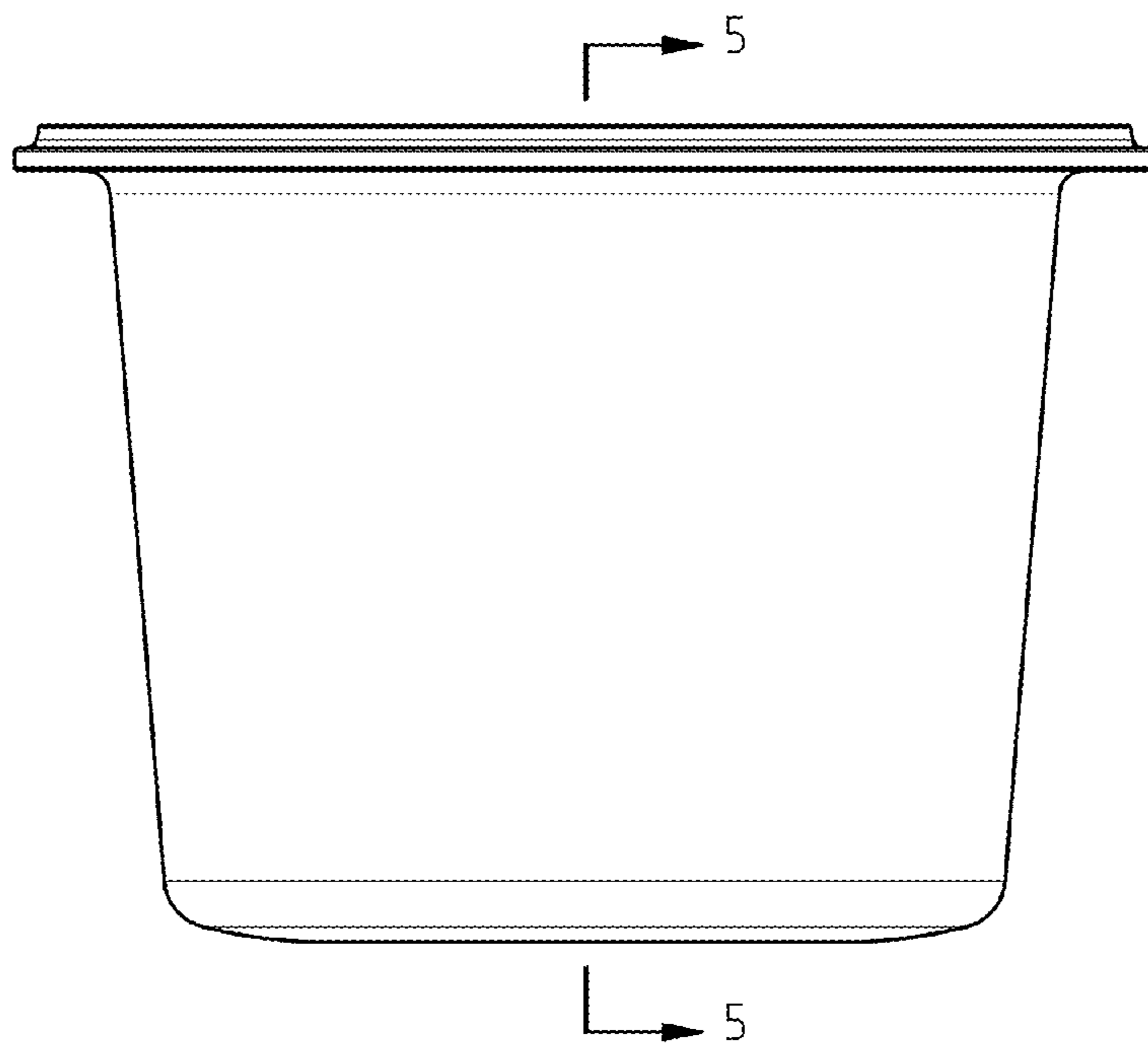
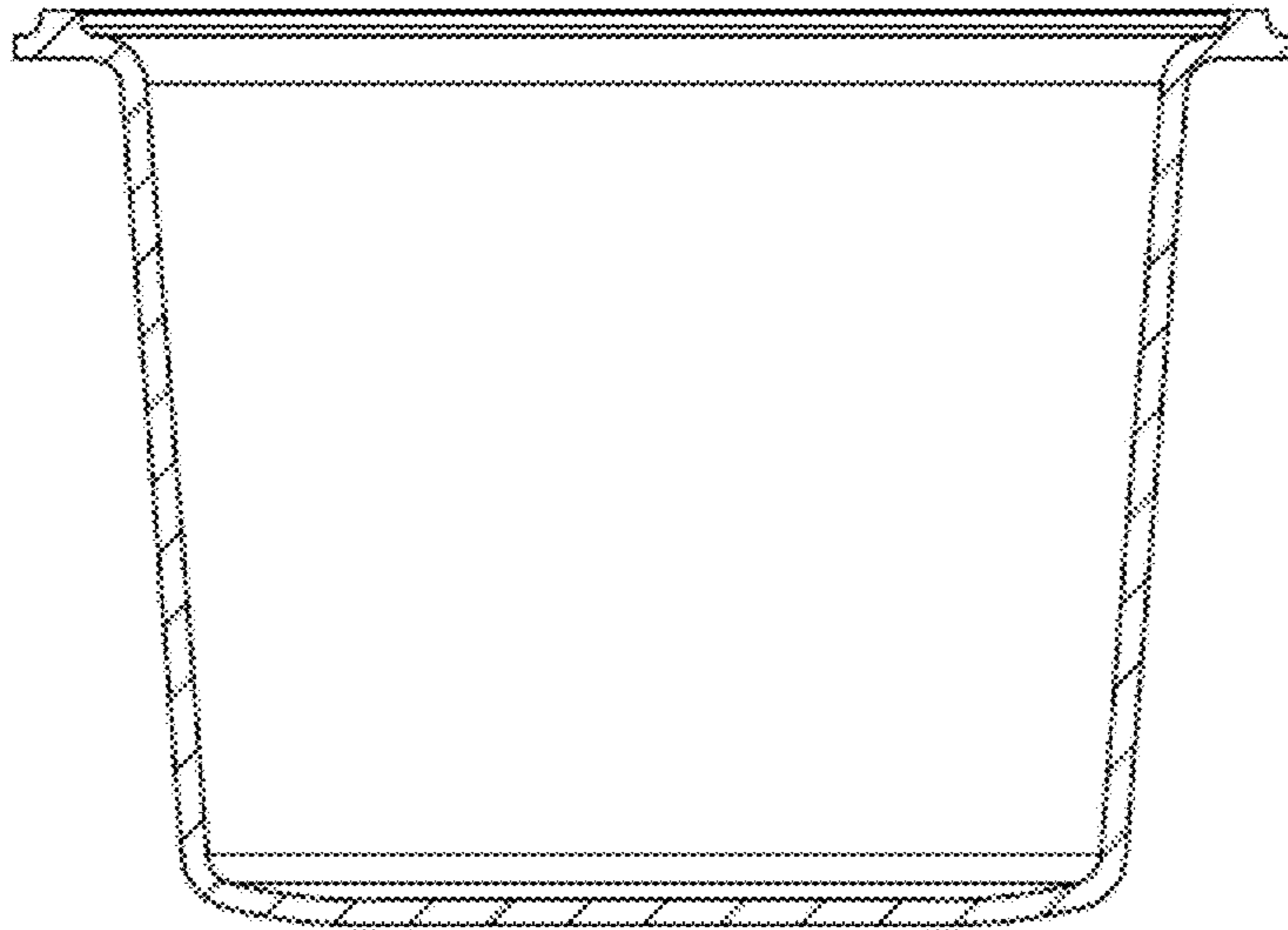
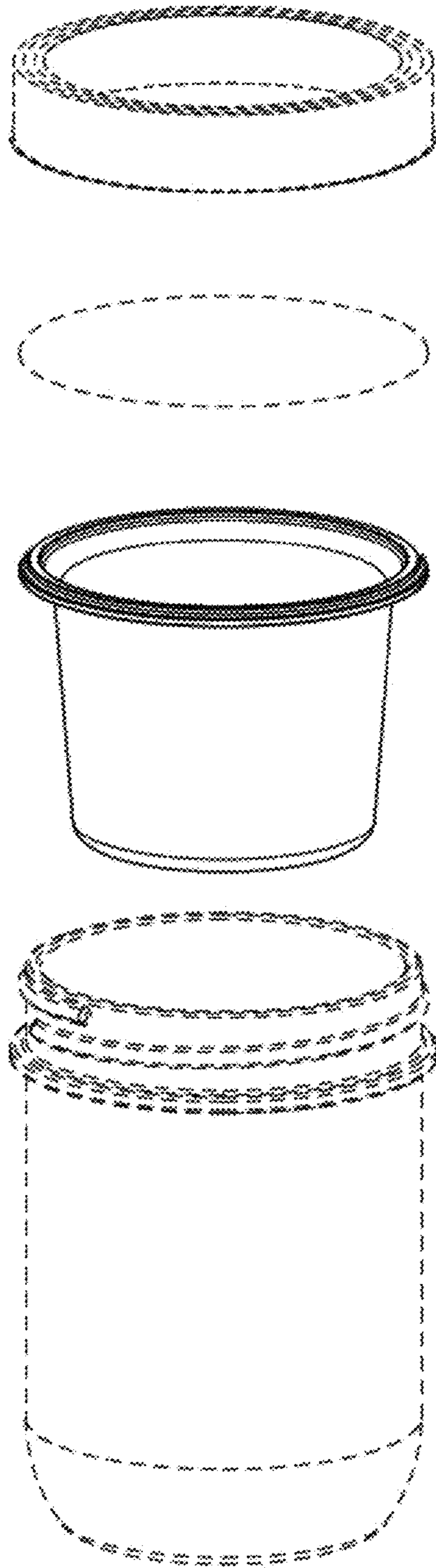


Fig. 5



**Fig. 6**





**Fig. 7**

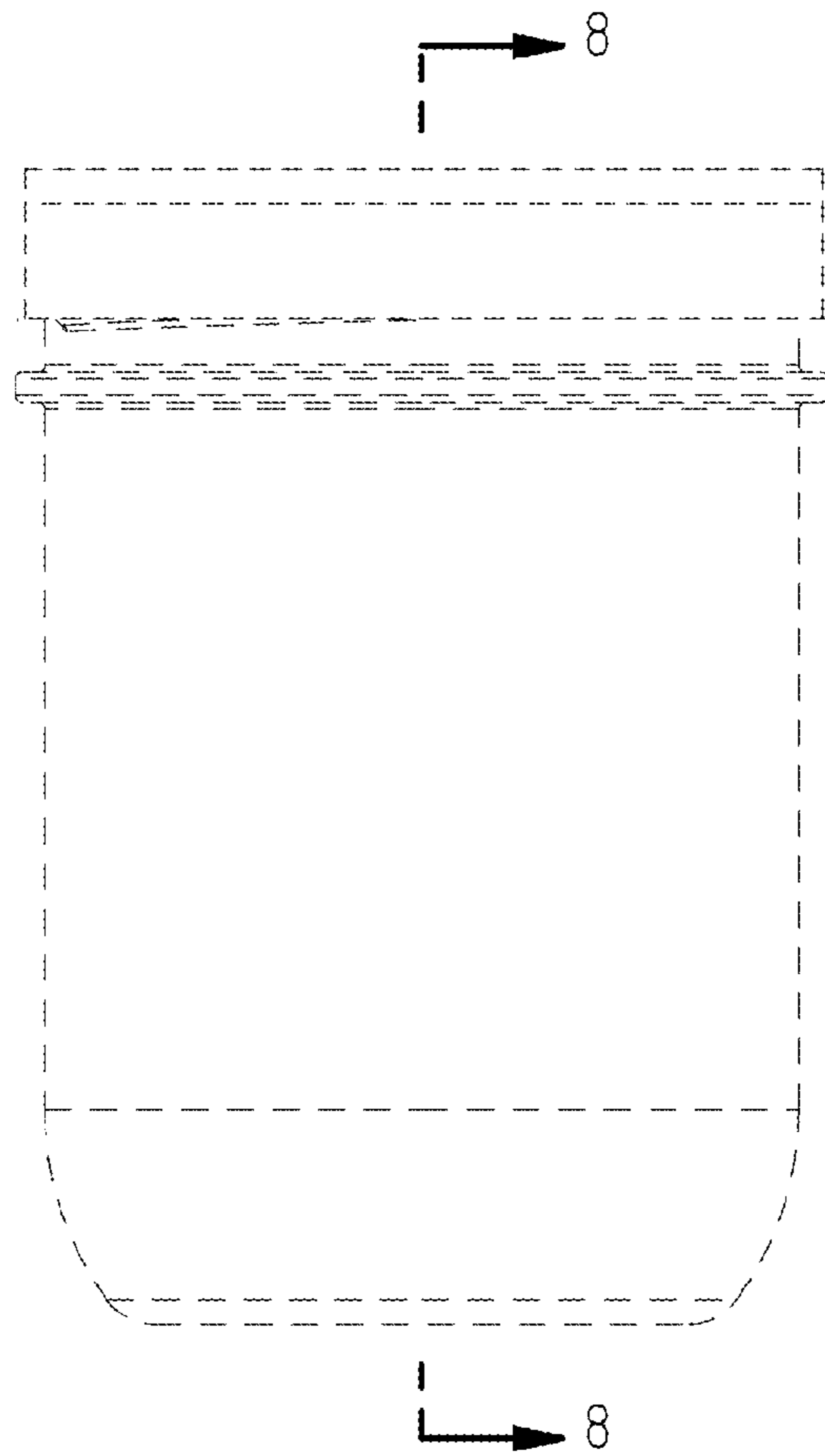


Fig. 8

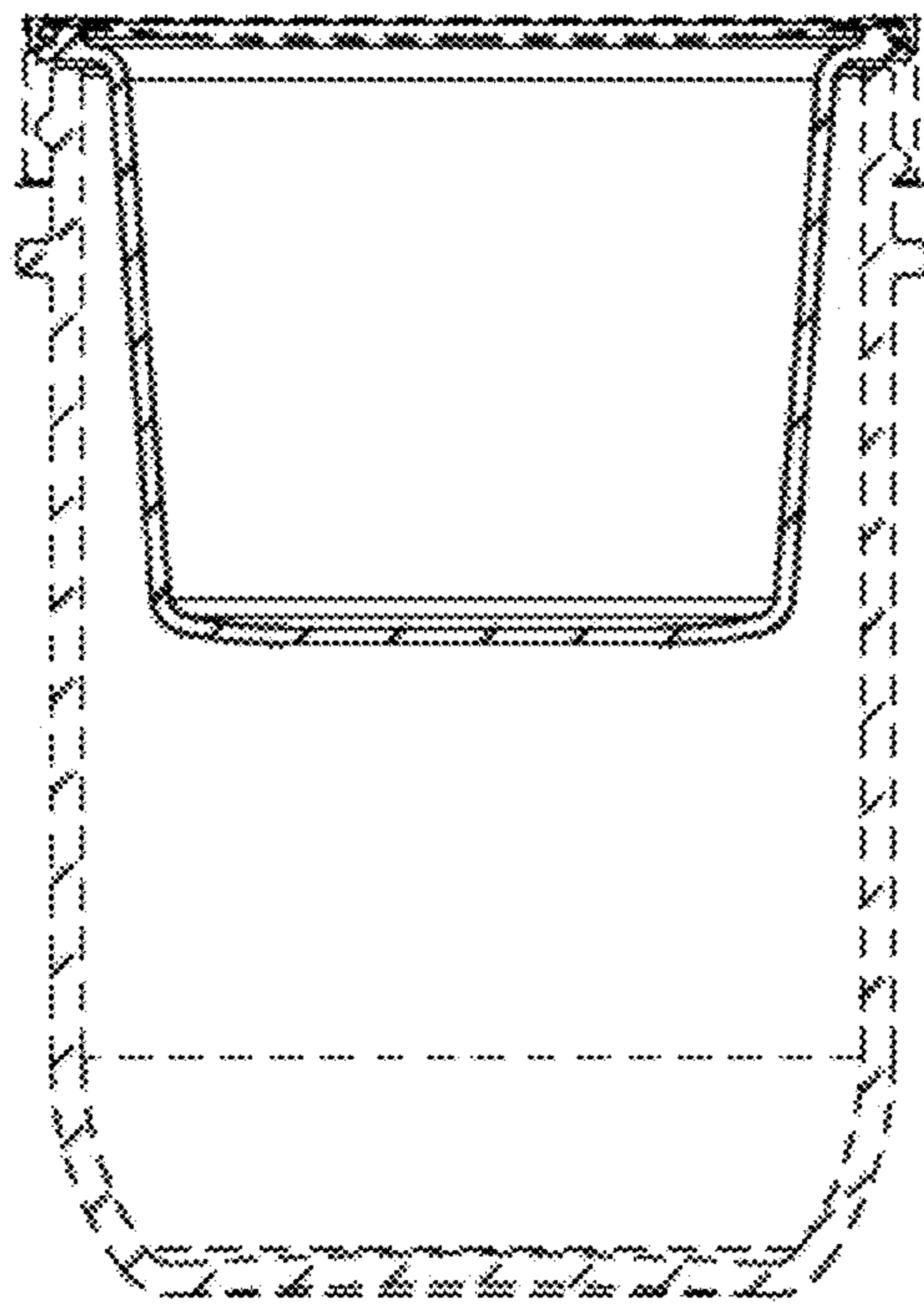


Fig. 9