



US00D746635S

(12) **United States Design Patent**
Lapsker

(10) **Patent No.:** **US D746,635 S**
(45) **Date of Patent:** **** Jan. 5, 2016**

(54) **BEVERAGEWARE**

(71) Applicant: **Starline Global Inc.**, Bridgetown (BB)

(72) Inventor: **Ron Lapsker**, Thornhill (CA)

(73) Assignee: **STARLINE GLOBAL INC.**,
Bridgetown (BB)

(**) Term: **14 Years**

(21) Appl. No.: **29/502,644**

(22) Filed: **Sep. 18, 2014**

(51) **LOC (10) Cl.** **07-01**

(52) **U.S. Cl.**

USPC **D7/532**; D7/523; D7/510; D7/608

(58) **Field of Classification Search**

USPC D7/507-511, 523, 532, 533, 534, 536,
D7/591, 589, 590, 608, 391, 392, 392.1,
D7/396.1, 396.2, 900, 387, 213, 531, 300,
D7/300.1, 313, 607, 624.1, 624.2; D9/695,
D9/696, 697, 700, 701, 711, 712, 715, 718,
D9/719, 726, 727, 776, 501, 505, 504, 503,
D9/537, 535, 563, 547, 544, 905, 569, 516,
D9/442, 440, 685, 448, 449, 435, 436, 444,
D9/502; D28/9, 75, 76, 88; D27/172, 173,
D27/183, 186; 206/270, 259, 265, 121, 499,
206/212; D24/224; 220/703, 711, 254.3,
220/254.7, 669; 215/235, 306; D23/213,
D23/226

CPC .. A45F 3/16; A47G 19/2266; A47G 19/2272;
G01K 1/083; B65D 51/26; B65D 85/12;
B65D 23/065; B65D 1/265; B65D 55/16;
B65D 47/066; A24F 25/02; A45D 33/00;
G01F 9/00

See application file for complete search history.

(56) **References Cited**

U.S. PATENT DOCUMENTS

D73,573 S *	10/1927	Miller	D9/502
D96,566 S *	8/1935	Straus	D7/532
D234,110 S *	1/1975	Achenbach	D7/532
D326,051 S *	5/1992	Frahm	D9/500
D346,933 S *	5/1994	Denny	D7/532
D412,087 S *	7/1999	Spencer	D7/510
D427,910 S *	7/2000	Barnes	D9/502
D434,611 S *	12/2000	Yu	D7/608
D437,185 S *	2/2001	Freed	D7/510
D457,060 S *	5/2002	Bretz	D9/502
D460,324 S	7/2002	Norris et al.	
D460,661 S	7/2002	Norris et al.	
D464,264 S *	10/2002	Edson	D9/502
D464,849 S	10/2002	Norris et al.	
D468,588 S	1/2003	Norris et al.	

(Continued)

Primary Examiner — Marianne Pandozzi

Assistant Examiner — Jae Liang

(74) *Attorney, Agent, or Firm* — Hodgson Russ LLP

(57) **CLAIM**

The ornamental design for a beverageware, as shown and described.

DESCRIPTION

FIG. 1 is a front perspective view of a first embodiment of a beverageware in used with an exemplary lid showing my new design;

FIG. 2 is a front view thereof with the lid removed for ease of illustration; the rear view being a mirror image thereof;

FIG. 3 is a right side view thereof; the left side view being a mirror image thereof;

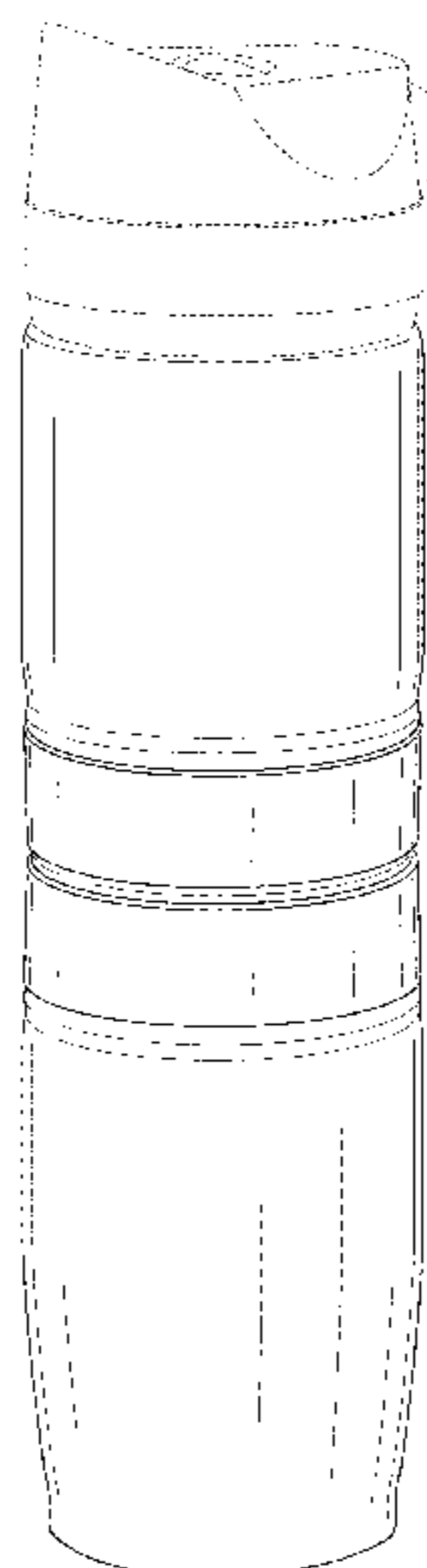
FIG. 4 is a top view thereof;

FIG. 5 is a bottom view thereof; and,

FIG. 6 is a front view of a second embodiment of a beverageware; rear and side views are being mirror images thereof.

The broken line shown in the figure drawings are included for the purpose of illustration and form no part of the claimed design. The stippled area in FIG. 6 indicates a matte surface in contrast to the remainder of the beverageware.

1 Claim, 5 Drawing Sheets



(56)

References Cited

U.S. PATENT DOCUMENTS

D469,658 S 2/2003 Norris et al.
 D479,437 S * 9/2003 Gluck D7/511
 D479,669 S 9/2003 Norris et al.
 D482,933 S 12/2003 Norris et al.
 D483,615 S 12/2003 Norris et al.
 D503,074 S 3/2005 Norris et al.
 D509,408 S * 9/2005 Ward D7/510
 D515,357 S * 2/2006 Ward D7/510
 D525,129 S * 7/2006 Hutter D9/502
 D533,404 S * 12/2006 Mansfield D7/513
 D539,607 S 4/2007 Lapsker
 D539,608 S 4/2007 Lapsker
 D539,610 S 4/2007 Lapsker
 D540,119 S 4/2007 Lapsker
 D545,194 S * 6/2007 Goudsblom D9/502
 D546,125 S * 7/2007 Bhavnani D7/523
 D555,430 S * 11/2007 Tien D7/509
 D563,723 S * 3/2008 Gluck D7/396.2
 D571,152 S * 6/2008 Tien D7/509
 D572,083 S * 7/2008 Tien D7/509
 D584,947 S * 1/2009 Bourne D9/502
 D587,527 S * 3/2009 Wolhendler D7/509

D607,276 S * 1/2010 Ahlm D7/513
 D608,203 S * 1/2010 Yourist D9/502
 D613,166 S * 4/2010 Bentley D9/502
 D622,546 S * 8/2010 Bodum D7/510
 RE42,172 E * 3/2011 Trombly D7/523
 D642,471 S * 8/2011 White D9/502
 D650,235 S * 12/2011 Eyal D7/510
 D651,854 S * 1/2012 Cabados D7/510
 D669,736 S * 10/2012 Bodum D7/510
 D671,005 S * 11/2012 Prathummek D9/502
 D689,375 S * 9/2013 Garner D9/502
 D692,270 S 10/2013 Lapsker
 D697,412 S * 1/2014 Jenkins D9/445
 D697,413 S * 1/2014 Jenkins D9/500
 D701,428 S 3/2014 Lapsker
 D705,012 S 5/2014 Lapsker
 D708,953 S * 7/2014 Robling D9/500
 D712,739 S 9/2014 Lapsker
 D718,980 S * 12/2014 Lapsker D7/532
 D721,588 S * 1/2015 Robling D9/502
 D726,011 S * 4/2015 Dong D9/502
 D726,539 S * 4/2015 Paredes D9/500
 2013/0320029 A1 * 12/2013 Yourist B65D 15/18
 220/646

* cited by examiner

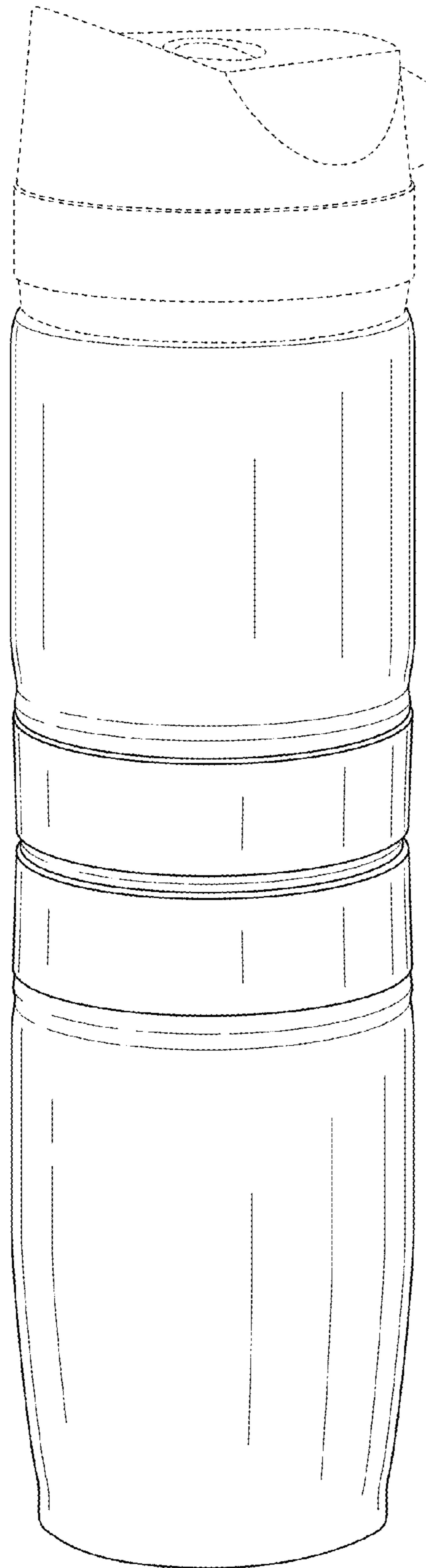


FIG. 1

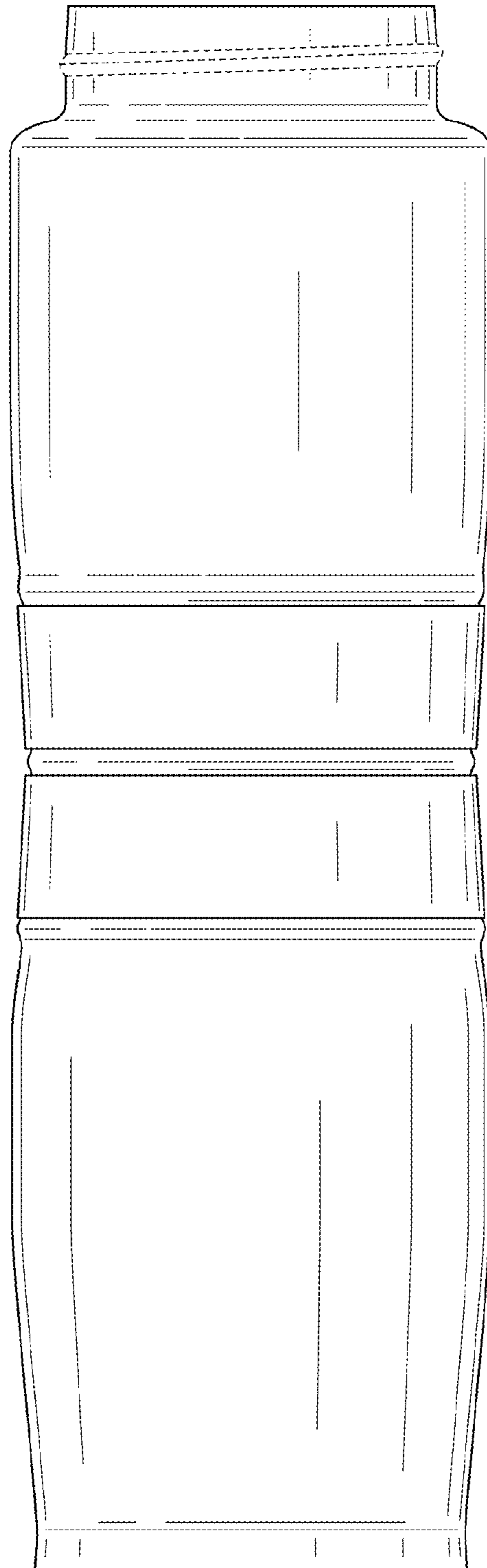


FIG. 2

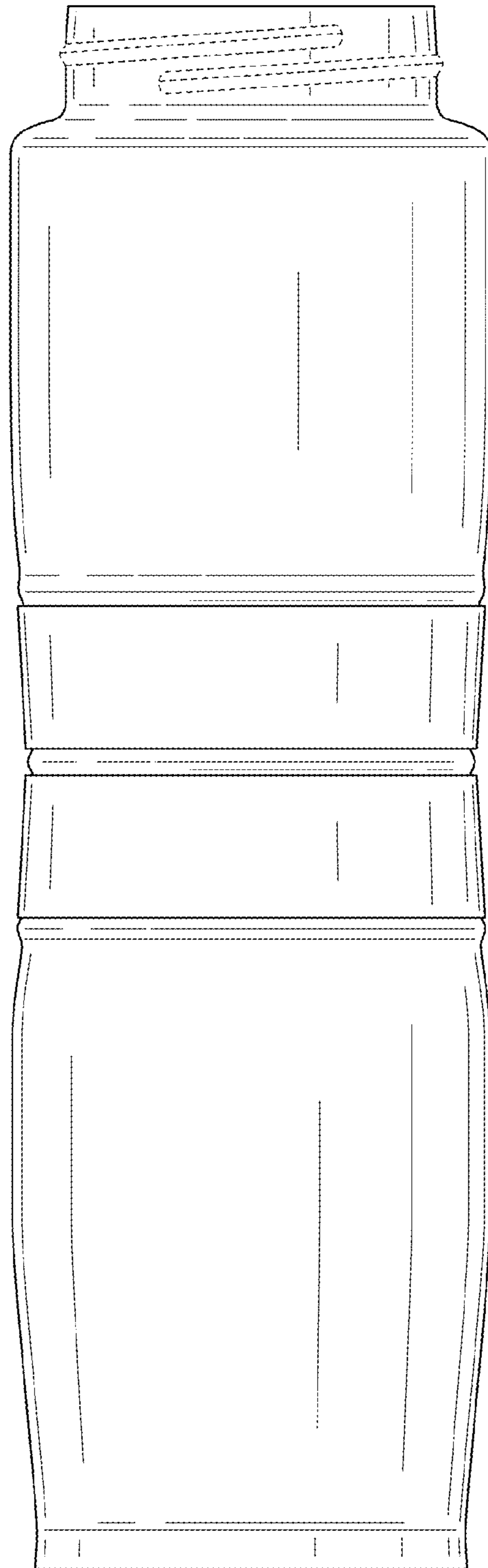


FIG. 3

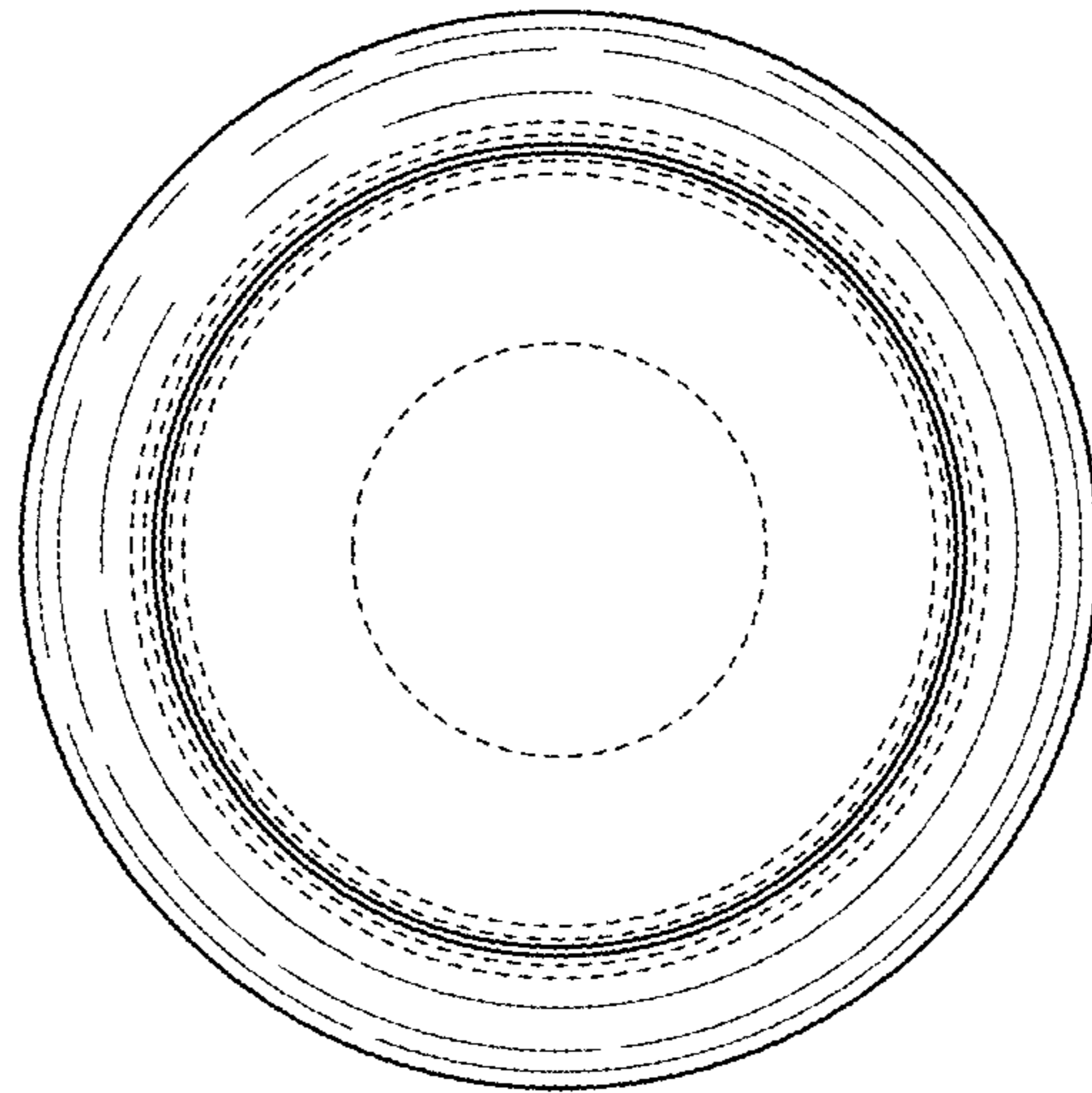


FIG. 4

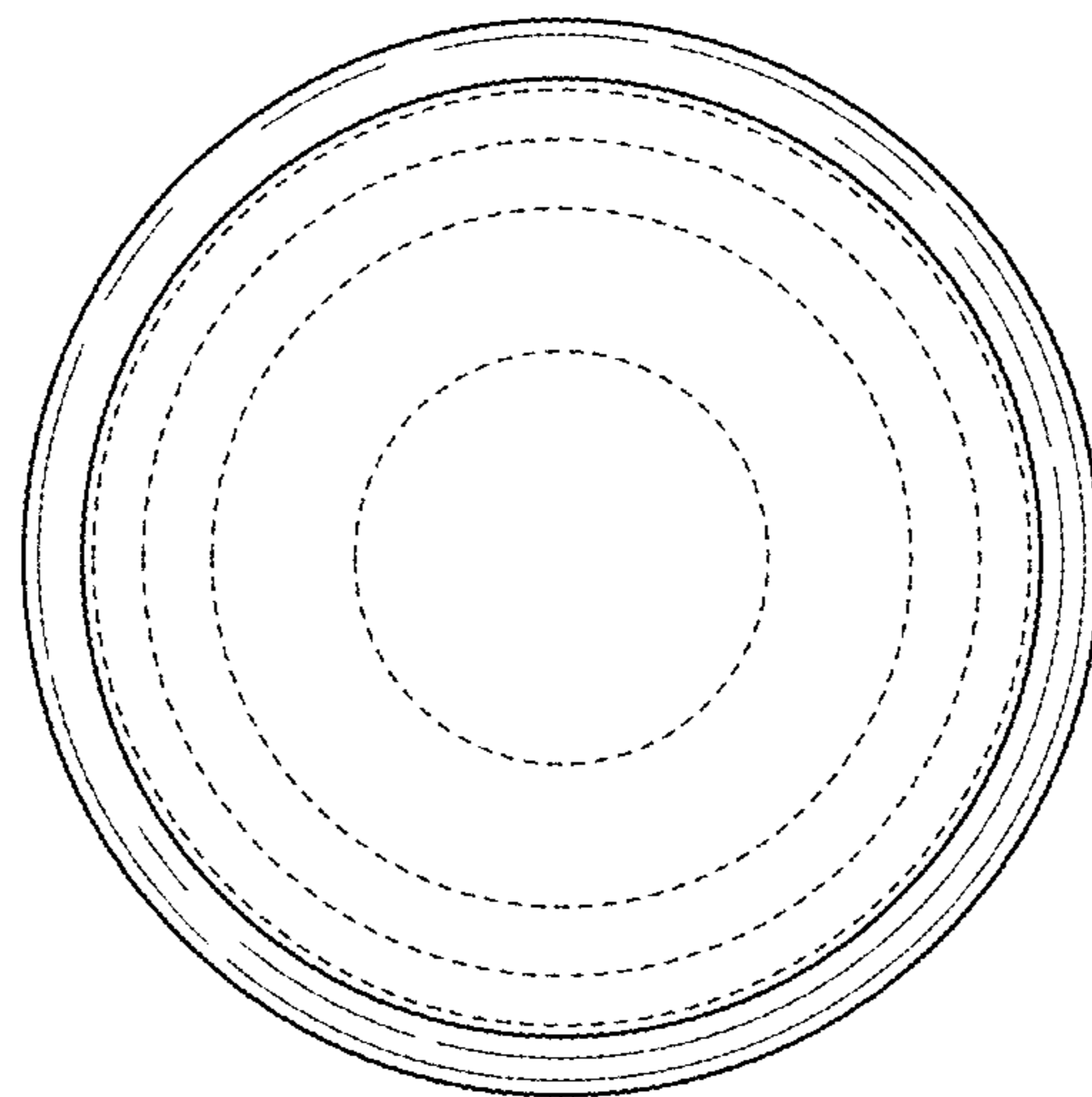


FIG. 5

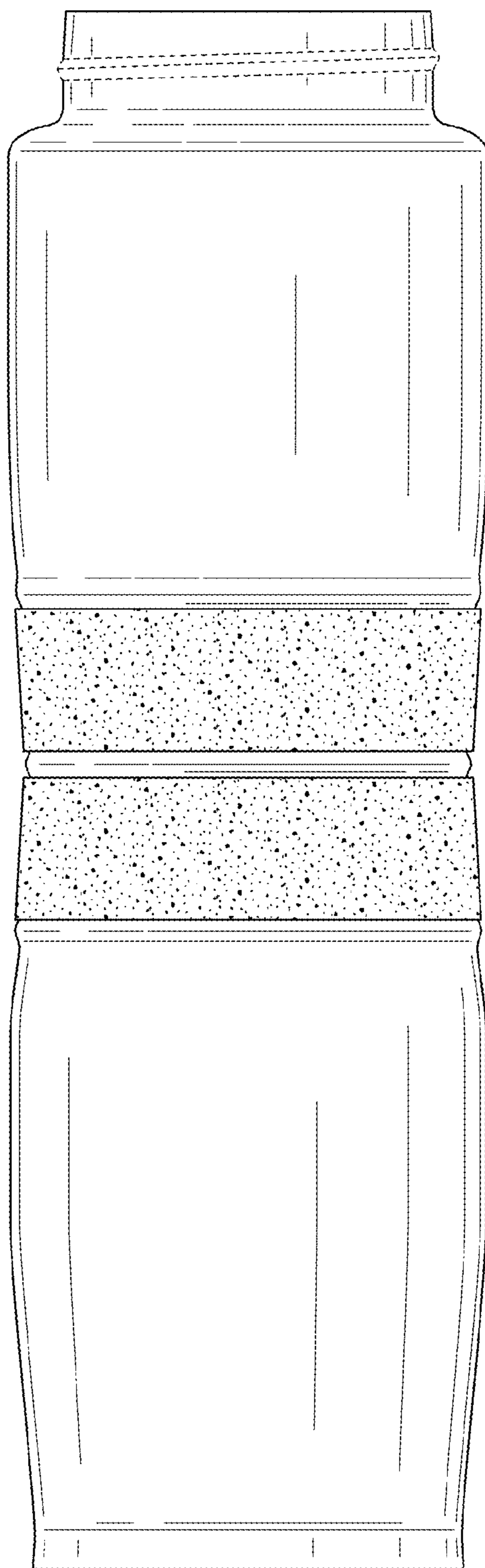


FIG. 6