



US00D746633S

(12) **United States Design Patent**
Gatto

(10) **Patent No.:** **US D746,633 S**

(45) **Date of Patent:** **** Jan. 5, 2016**

(54) **MUG**

(71) Applicant: **Dan Gatto**, New York, NY (US)

(72) Inventor: **Dan Gatto**, New York, NY (US)

(73) Assignee: **AFJ INDUSTRIES LLC**, Rahway, NJ (US)

(**) Term: **14 Years**

(21) Appl. No.: **29/468,762**

(22) Filed: **Oct. 3, 2013**

(51) **LOC (10) Cl.** **07-01**

(52) **U.S. Cl.**
USPC **D7/529**

(58) **Field of Classification Search**
USPC D7/509–511, 523, 529, 533, 608,
D7/300.1; D9/537, 538, 545, 500,
D9/503–505, 516, 552
CPC A47G 19/22–19/2222; A47G
19/2266–19/2272; B65D 1/0223; B65D 1/023;
B65D 1/265; B65D 81/3865–81/3874
See application file for complete search history.

(56) **References Cited**

U.S. PATENT DOCUMENTS

D328,509 S *	8/1992	Hollinger	D7/509
D346,308 S *	4/1994	Cautereels et al.	D7/509
D429,959 S *	8/2000	Otake	D7/510
D467,122 S *	12/2002	Janky	D7/510
D469,658 S *	2/2003	Norris et al.	D7/523
D483,226 S *	12/2003	Belton et al.	D7/533
D483,613 S *	12/2003	Gluck	D7/509
D483,615 S *	12/2003	Norris et al.	D7/533
D500,936 S *	1/2005	Nikkhah	D7/510
D525,082 S *	7/2006	Copeland	D7/529
D528,365 S *	9/2006	Hsu	D7/529
D545,623 S *	7/2007	Renz et al.	D7/510

D558,523 S *	1/2008	Bhavnani	D7/510
D560,970 S *	2/2008	Yelland	D7/536
D562,076 S *	2/2008	Sandberg	D7/533
D569,188 S *	5/2008	Tornqvist	D7/523
D571,151 S *	6/2008	Lopez	D7/510
D573,840 S *	7/2008	Kramer	D7/523
D575,987 S *	9/2008	Williams	D7/523
D577,958 S *	10/2008	Homma	D7/510
D577,959 S *	10/2008	Sandberg	D7/523
D580,226 S *	11/2008	Homma	D7/510
D588,412 S *	3/2009	Brooks	D7/510
D601,851 S *	10/2009	Lopez	D7/510
D624,789 S *	10/2010	Bodum	D7/510
D637,041 S *	5/2011	Haskell	D7/510
D639,113 S *	6/2011	Hayes	D7/509
D654,319 S *	2/2012	Myers	D7/523
D687,262 S *	8/2013	Bucceri	D7/509
D704,001 S *	5/2014	Lane	D7/509

* cited by examiner

Primary Examiner — Susan Bennett Hattan

Assistant Examiner — Brett Miller

(74) *Attorney, Agent, or Firm* — Mark M. Friedman

(57) **CLAIM**

I hereby claim the ornamental design of a mug, as shown and described.

DESCRIPTION

FIG. 1 is a perspective view of a mug showing my design;

FIG. 2 is another perspective view thereof;

FIG. 3 is a right side view thereof;

FIG. 4 is a left side view thereof;

FIG. 5 is a back view thereof;

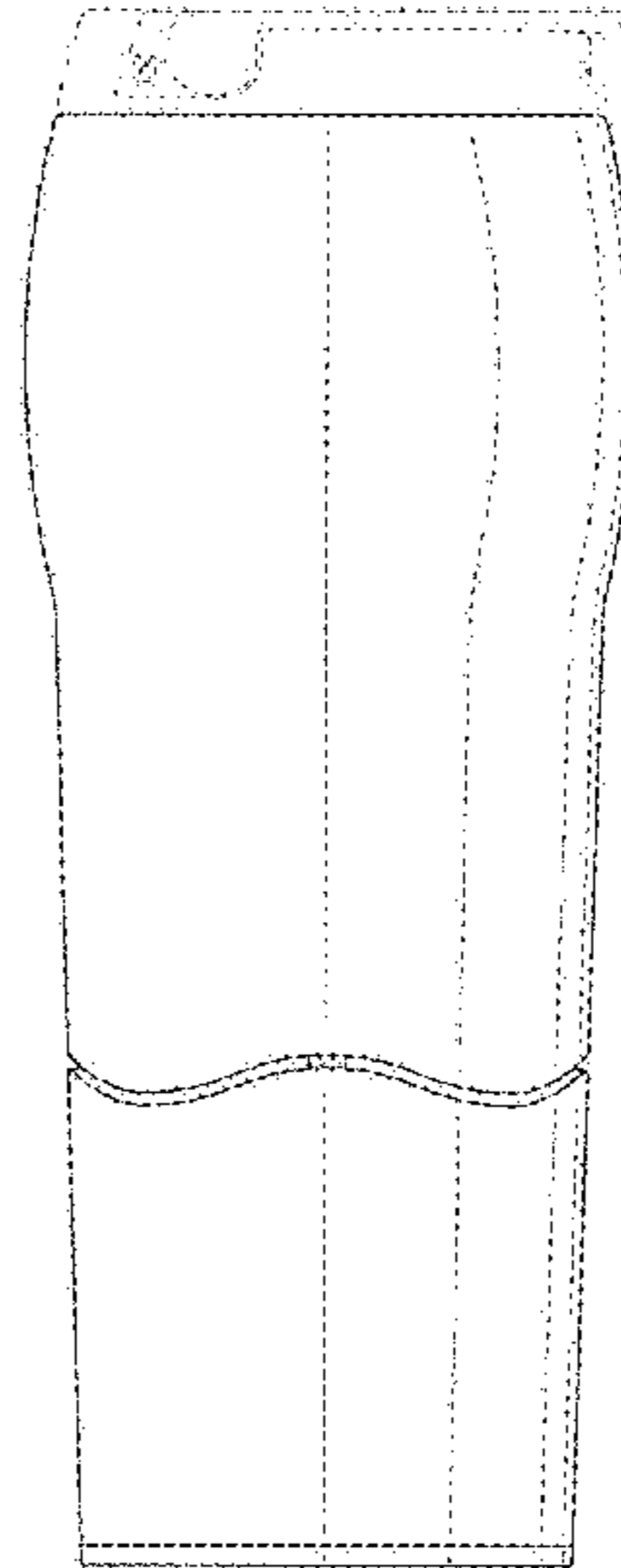
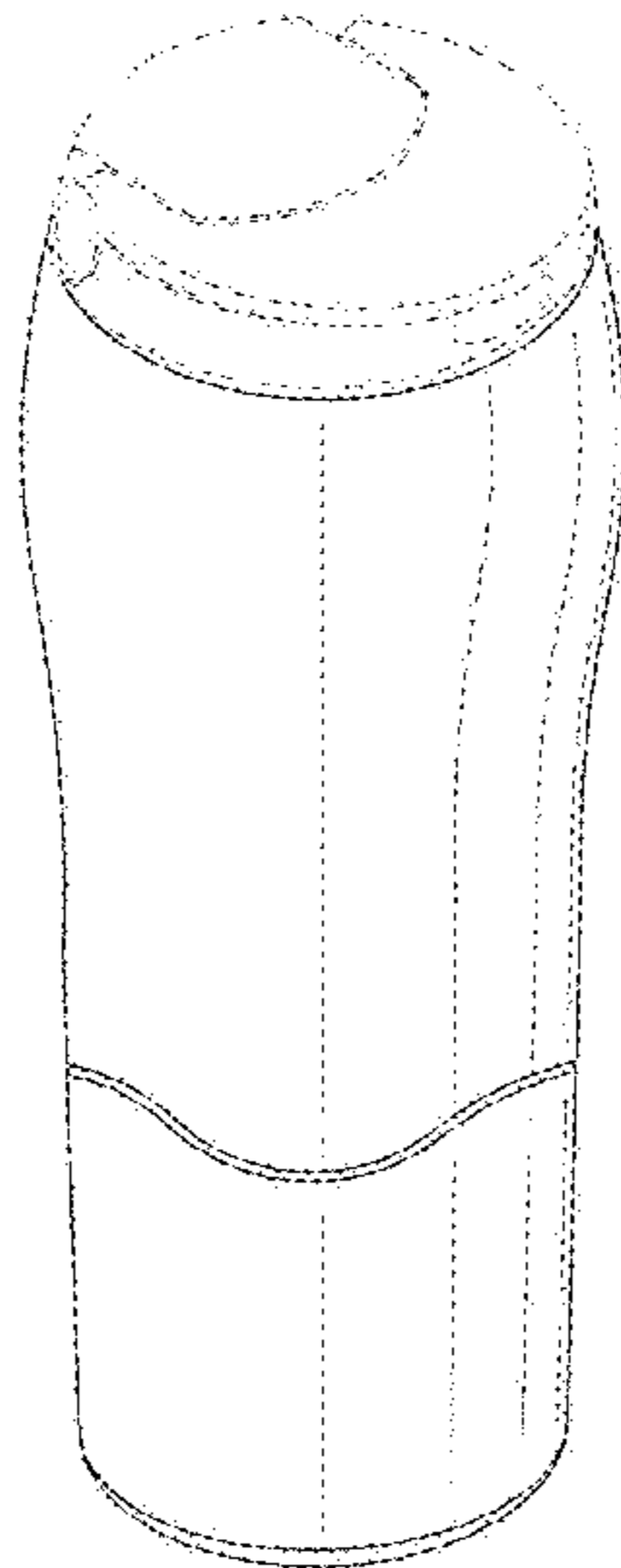
FIG. 6 is a front view thereof;

FIG. 7 is a top view thereof; and,

FIG. 8 is a bottom view thereof.

The dashed lines are directed to environment and are for illustrative purposes only; the dashed lines form no part of the claimed design.

1 Claim, 8 Drawing Sheets



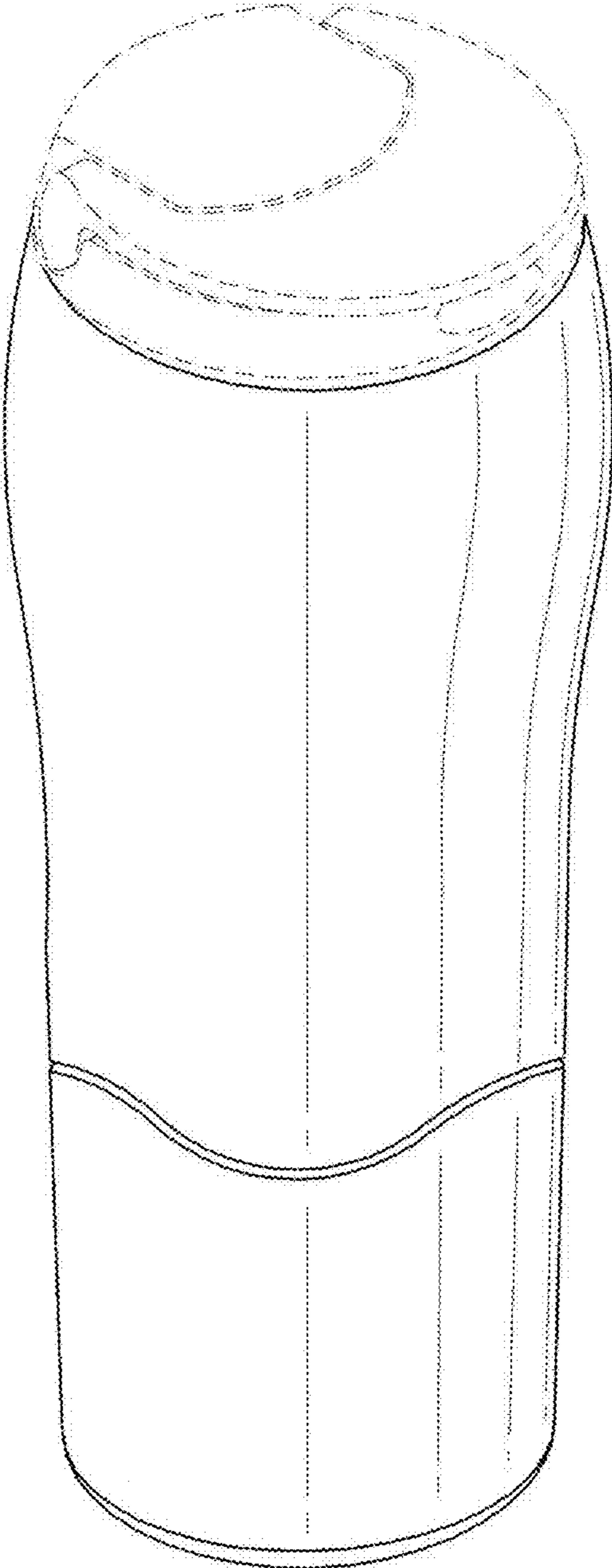


FIG. 1

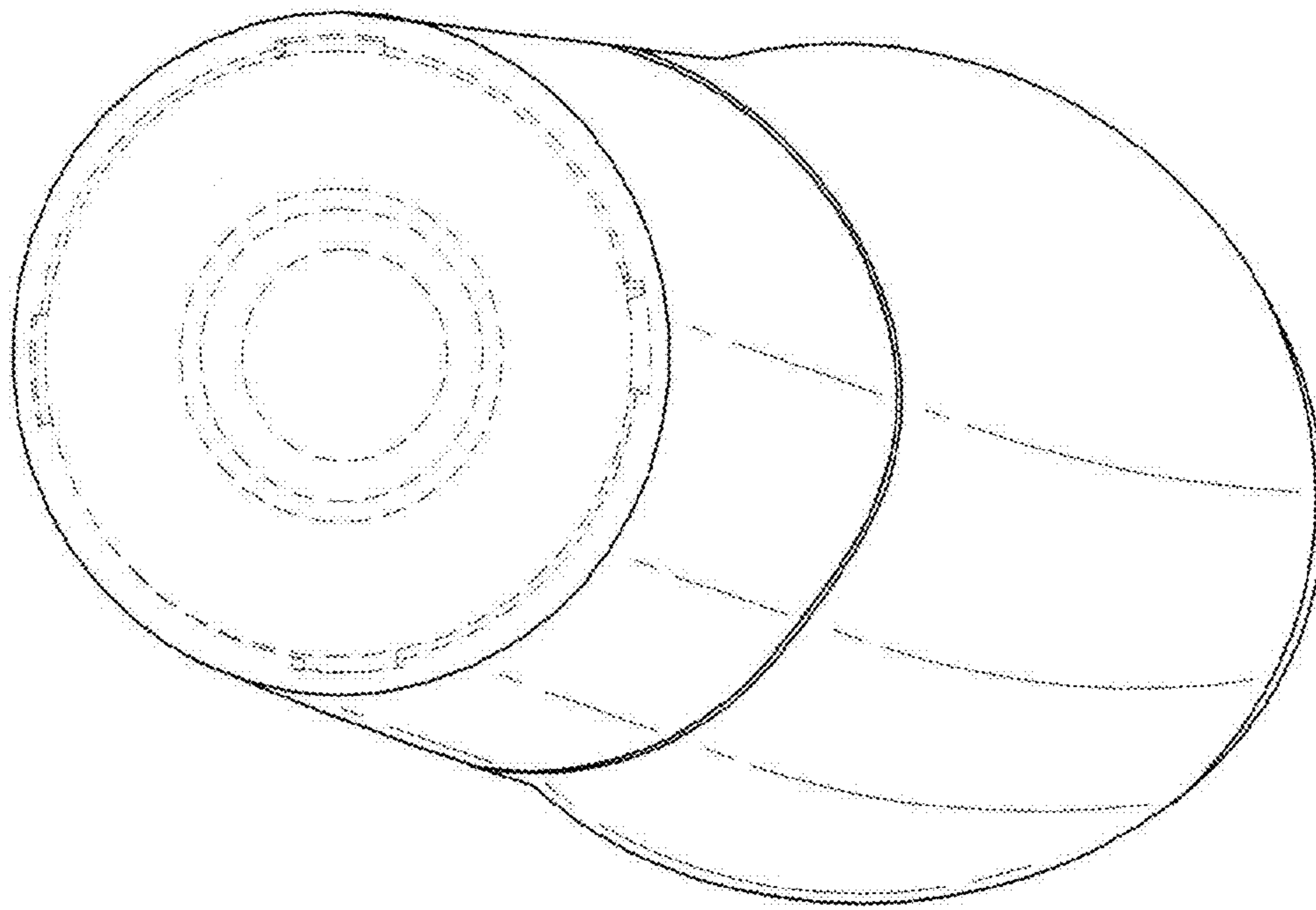


FIG. 2

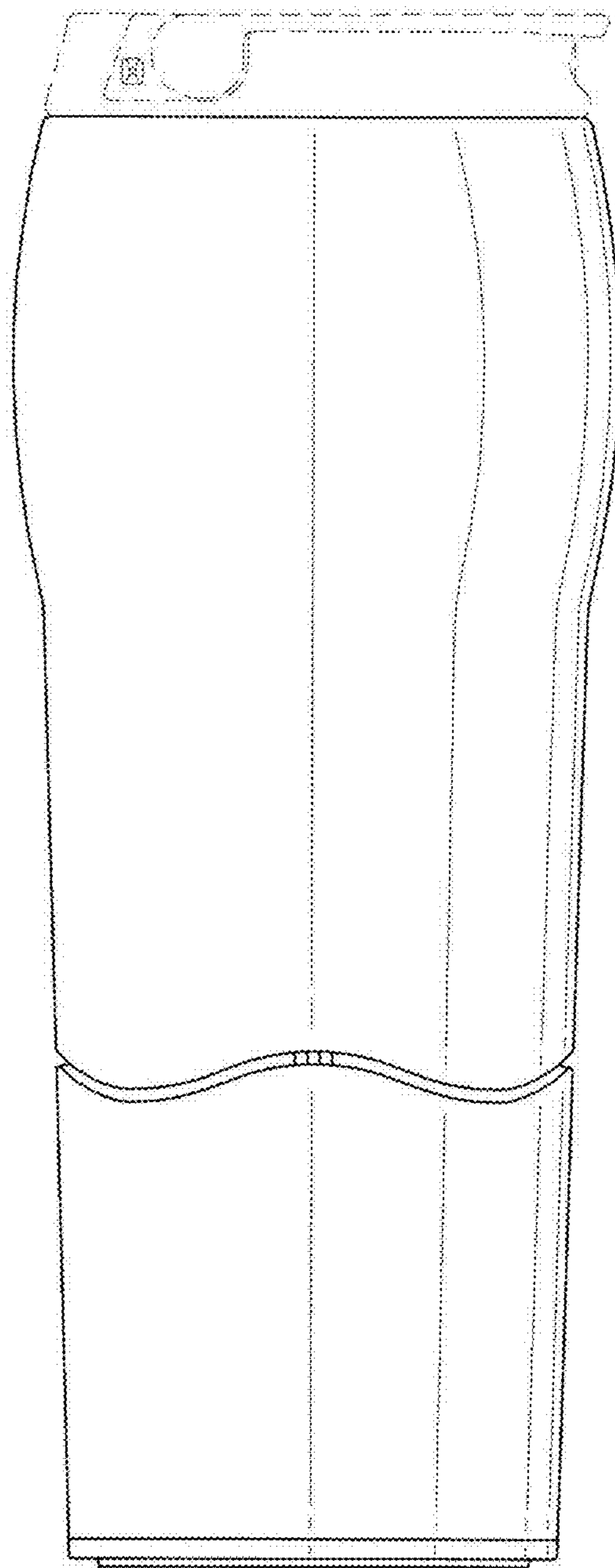


FIG. 3

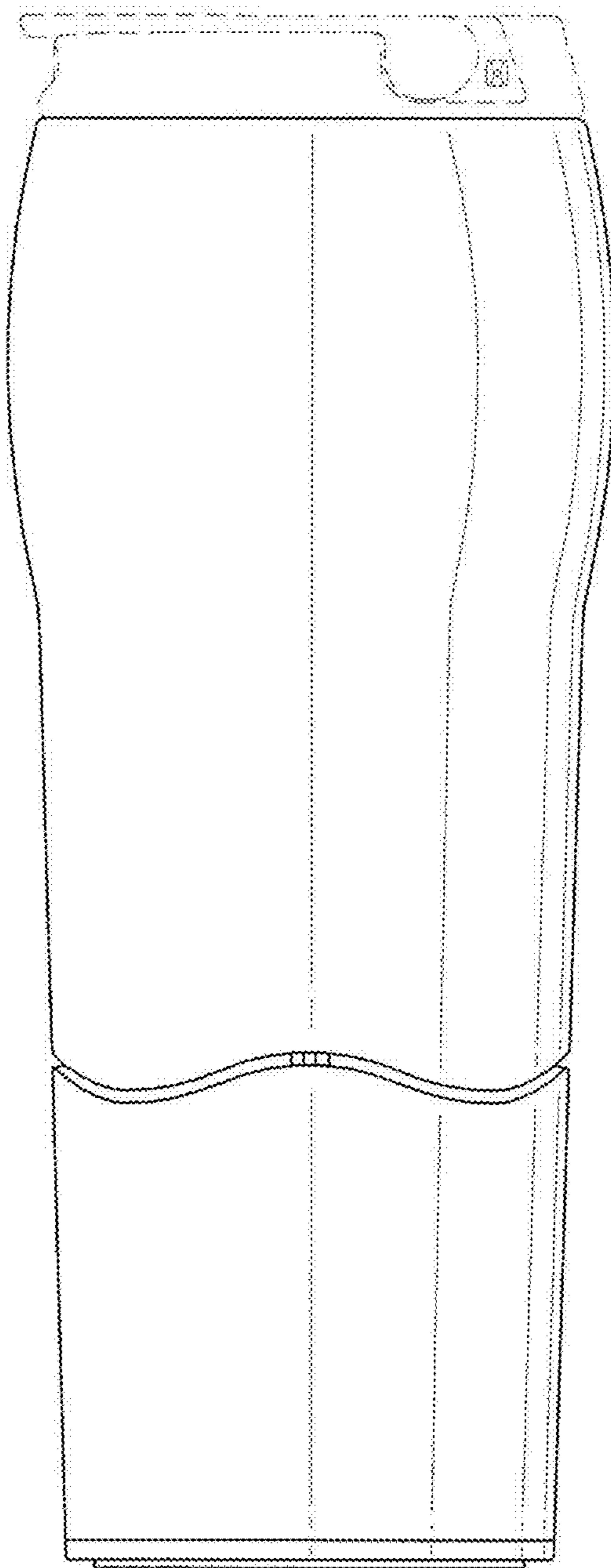


FIG. 4

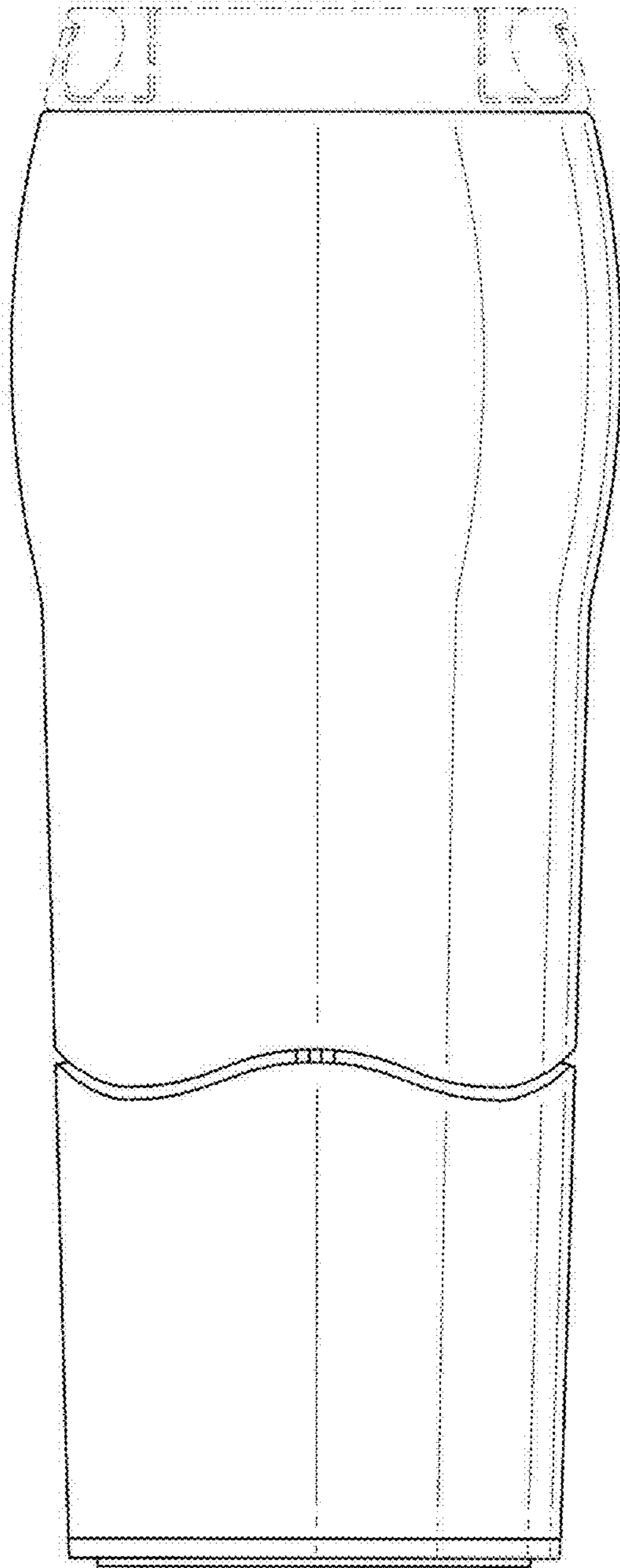


FIG. 5

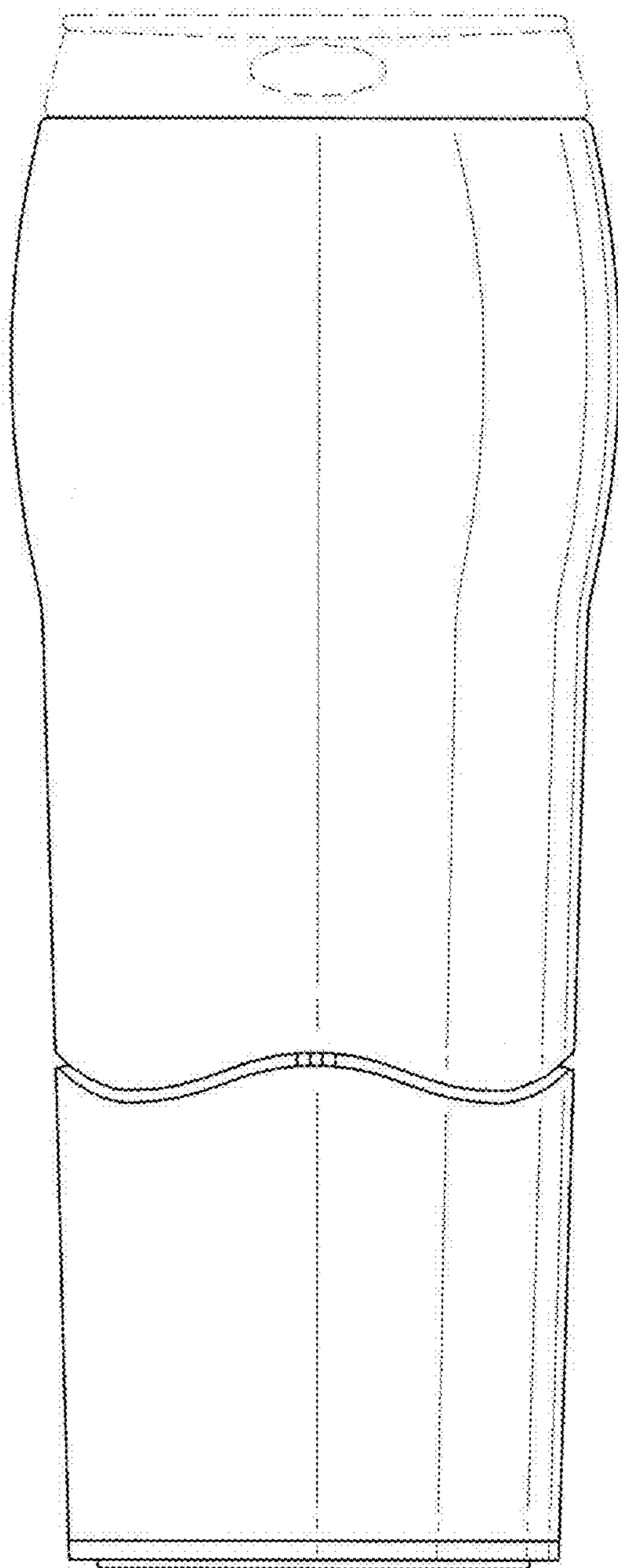


FIG. 6

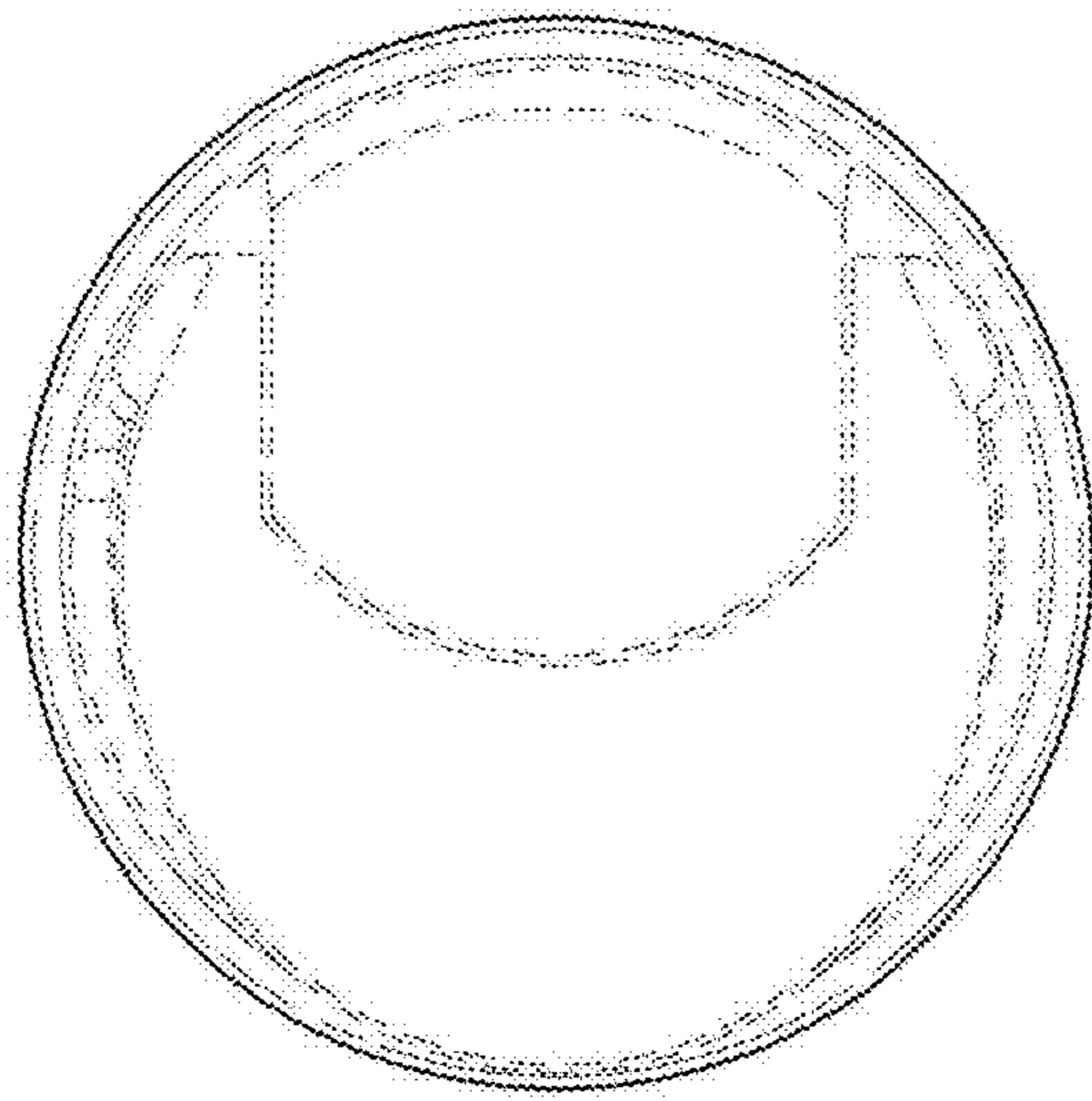


FIG. 7

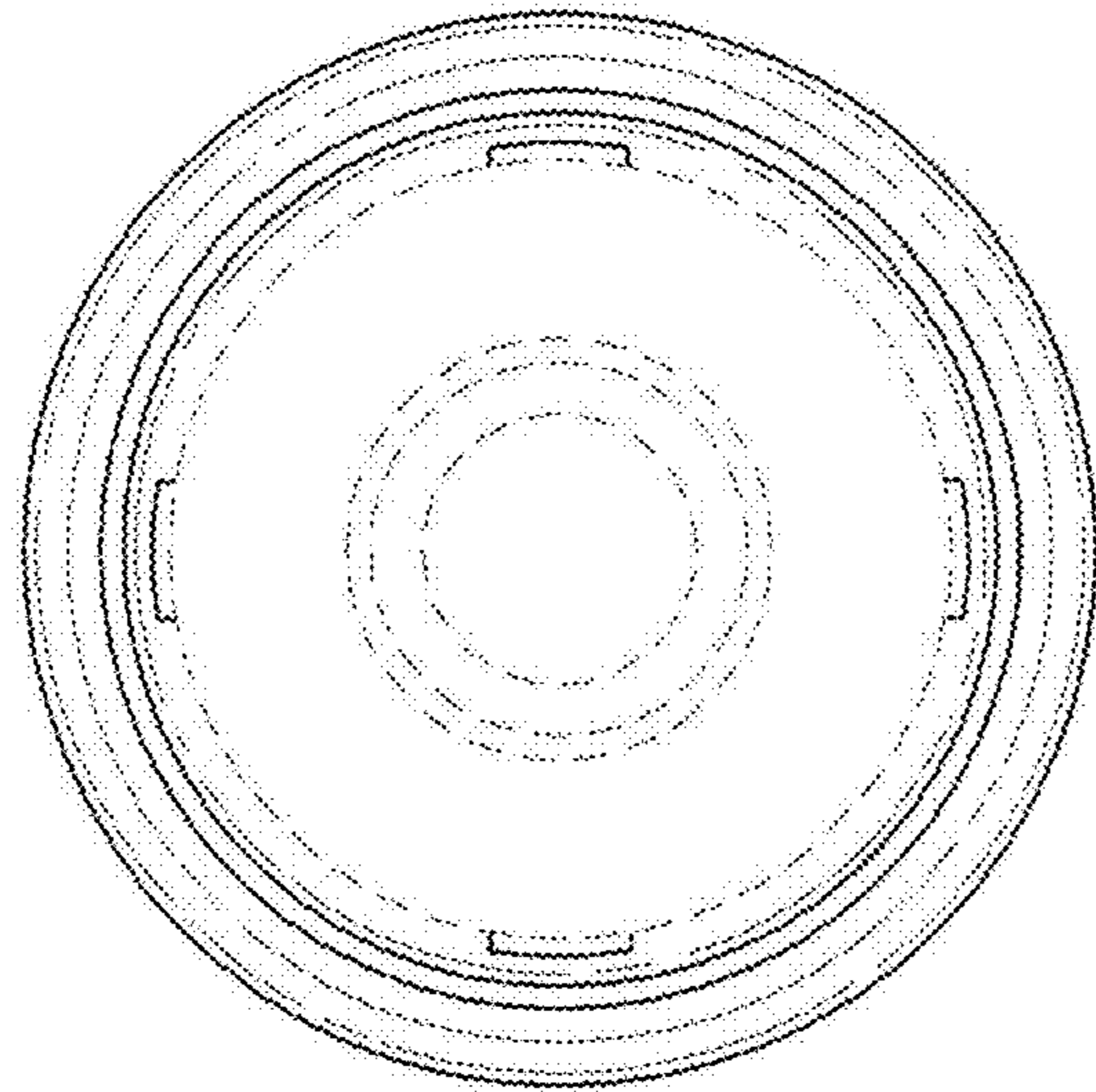


FIG. 8