



US00D746632S

(12) **United States Design Patent**
Ploss

(10) **Patent No.:** **US D746,632 S**
(45) **Date of Patent:** **** Jan. 5, 2016**

(54) **WATER DISPENSER COVER**
(71) Applicant: **Dianna Ploss**, Cambridge, MA (US)
(72) Inventor: **Dianna Ploss**, Cambridge, MA (US)
(**) Term: **14 Years**
(21) Appl. No.: **29/504,023**
(22) Filed: **Oct. 1, 2014**
(51) **LOC (10) Cl.** **31-00**
(52) **U.S. Cl.**
USPC **D7/398; D7/397**
(58) **Field of Classification Search**
USPC D7/400, 396.2, 523, 387, 391, 392,
D7/392.1, 393, 396.1, 396.3, 397, 398,
D7/399, 401, 401.1, 213, 700, 667, 601,
D7/602, 603, 671, 672, 675, 589, 901;
D10/46.2; D9/434, 435, 436, 439, 440,
D9/444, 447, 668, 600, 519; 220/709,
220/23.89, 229, 212.5; D3/203.1, 203.2,
D3/302; D23/209, 268, 255, 241, 257,
D23/260, 421, 386, 266, 249, 227, 233;
215/397; D30/160; D21/313, 315, 386,
D21/385, 484, 488; D11/121; 210/449
CPC ... B29C 33/50; B29C 33/0038; A47J 31/005;
A47J 31/06; A47J 31/00; A47J 31/10; A47J
31/02; A47J 31/14; A47G 19/2222; A47G
19/2272; B65D 21/0233; E03B 9/20
See application file for complete search history.

3,461,192 A * 8/1969 Di Stasio E02D 1/04
249/134
4,353,139 A 10/1982 Wainwright et al.
4,416,381 A * 11/1983 Swartwout B65D 41/26
215/228
4,622,704 A 11/1986 Chung
5,064,122 A 11/1991 Kamishita et al.
5,538,217 A * 7/1996 Chauhan A21B 3/18
249/134
D466,366 S * 12/2002 Taylor-McCune D7/401.1
D490,978 S * 6/2004 Breyer D3/313

(Continued)

FOREIGN PATENT DOCUMENTS

AU 2002100993 6/2003
CN 2750136 1/2006
WO 2007011838 1/2007

OTHER PUBLICATIONS

2004-2006 Lego Nose Cone small <http://brickset.com/parts/4211499>.*

Primary Examiner — Marianne Pandozzi
Assistant Examiner — Jae Liang

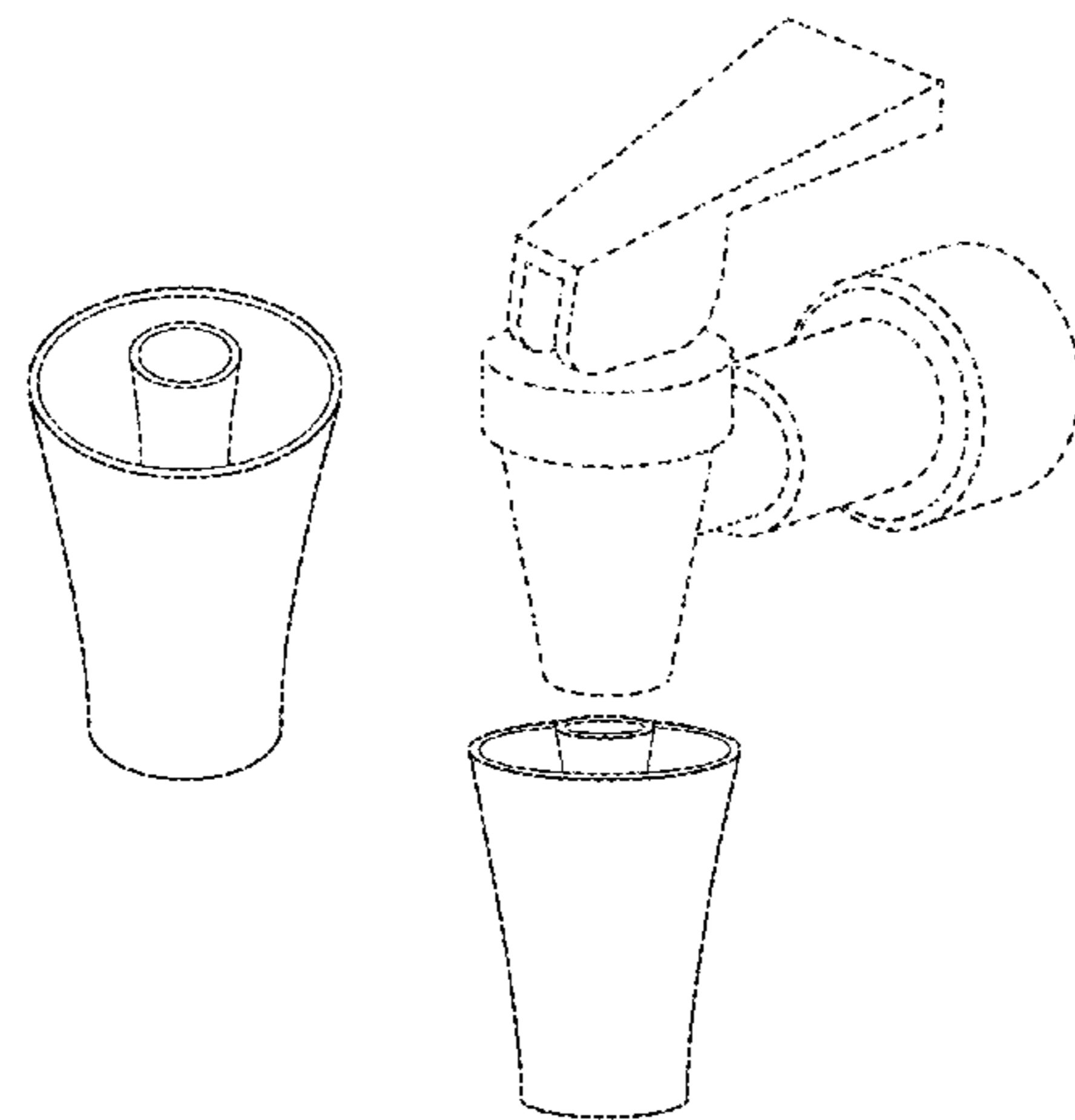
(57) **CLAIM**
The ornamental design for a water dispenser cover, as shown and described.

DESCRIPTION

FIG. 1 is a top right isometric view of a water dispenser cover showing my new design;
FIG. 2 is a side view thereof;
FIG. 3 is a bottom view thereof;
FIG. 4 is a top view thereof;
FIG. 5 is an environmental top right perspective view thereof; and,
FIG. 6 is another environmental top right perspective view thereof in use with a dispenser.
The broken line shown in the figure drawings are included for the purpose of illustration and form no part of the claimed design.

1 Claim, 2 Drawing Sheets

(56) **References Cited**
U.S. PATENT DOCUMENTS
692,919 A * 2/1902 Schaumloeffel et al. A21B 3/13
211/126.1
1,469,771 A * 10/1923 Allen E03B 9/20
138/37
2,171,471 A * 8/1939 Brunetti E03B 9/20
210/433.1
2,579,769 A * 12/1951 Tyler E03B 9/20
239/25
3,182,397 A * 5/1965 Entenmann A21B 3/18
30/301
3,262,668 A * 7/1966 Luker A21B 3/13
220/573.1
3,399,858 A * 9/1968 Luker A21B 3/13
249/117



(56)

References Cited

U.S. PATENT DOCUMENTS

D539,091 S *	3/2007	Mansfield	D7/509	8,276,615 B2	10/2012	Weber	
D552,421 S *	10/2007	Wolf	D7/523	8,382,012 B2	2/2013	Park et al.	
D561,534 S *	2/2008	Marks	D7/500	D683,826 S *	6/2013	Kwok D23/249
D569,175 S *	5/2008	Mansfield	D7/387	8,501,118 B2	8/2013	Mathus et al.	
D576,848 S *	9/2008	Williams	D7/700	D693,645 S *	11/2013	Keyes D7/523
D580,228 S *	11/2008	Hayden	D7/509	D712,203 S *	9/2014	Lordi D7/523
D595,537 S *	7/2009	Mansfield	206/219	D737,100 S *	8/2015	Ross D7/523
D596,461 S *	7/2009	Mansfield	D7/509	2006/0011669 A1	1/2006	Massey	
D598,224 S *	8/2009	Zanini	D11/152	2007/0267424 A1*	11/2007	Marks A47G 19/2205 220/703
D620,757 S *	8/2010	Ahlm	D7/509	2011/0084085 A1	4/2011	McPeck	
D663,592 S *	7/2012	Bridges	D7/396.2	2011/0132817 A1*	6/2011	Gardner B01D 29/15 210/90

* cited by examiner

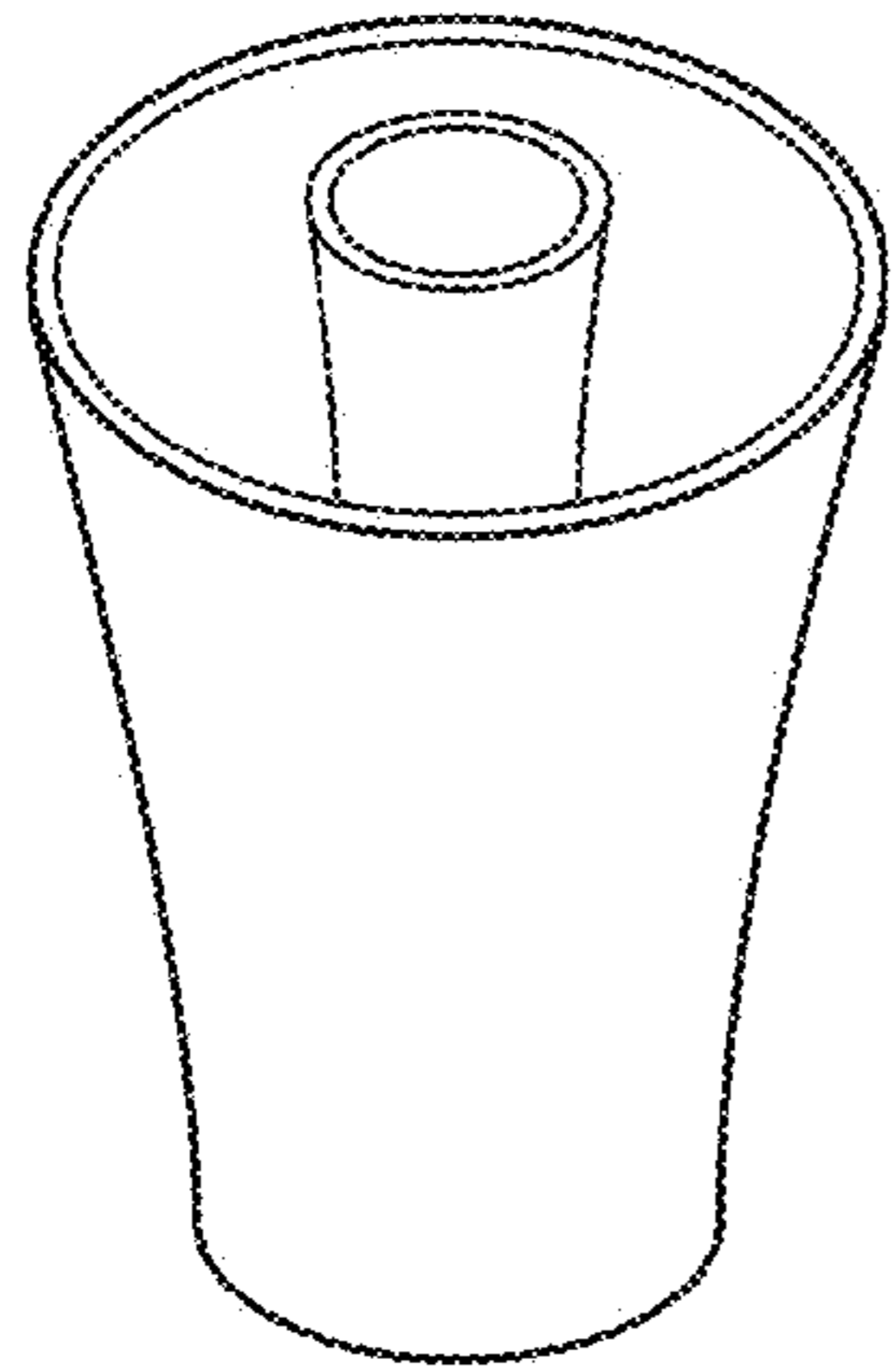


Fig. 1

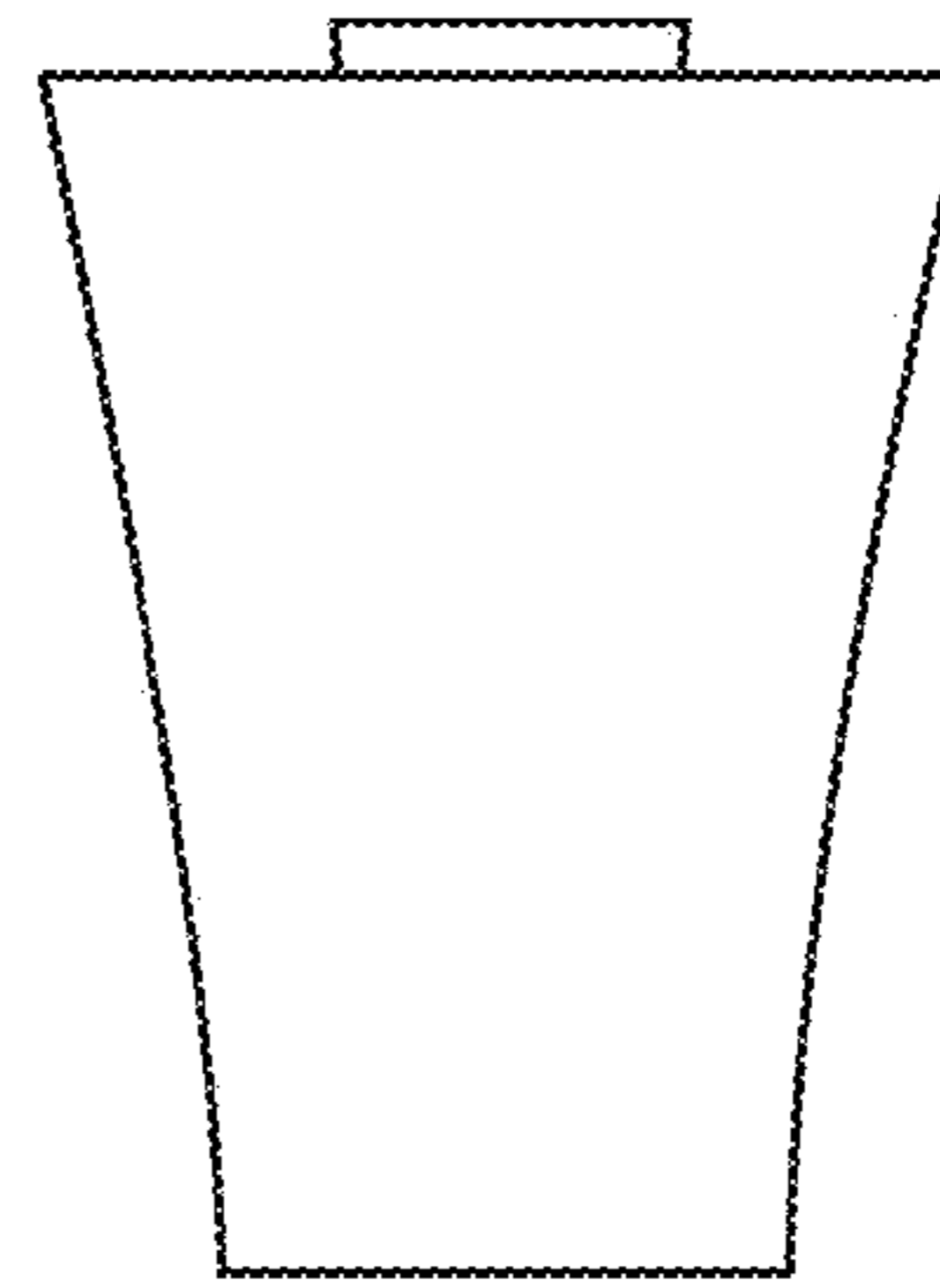


Fig. 2

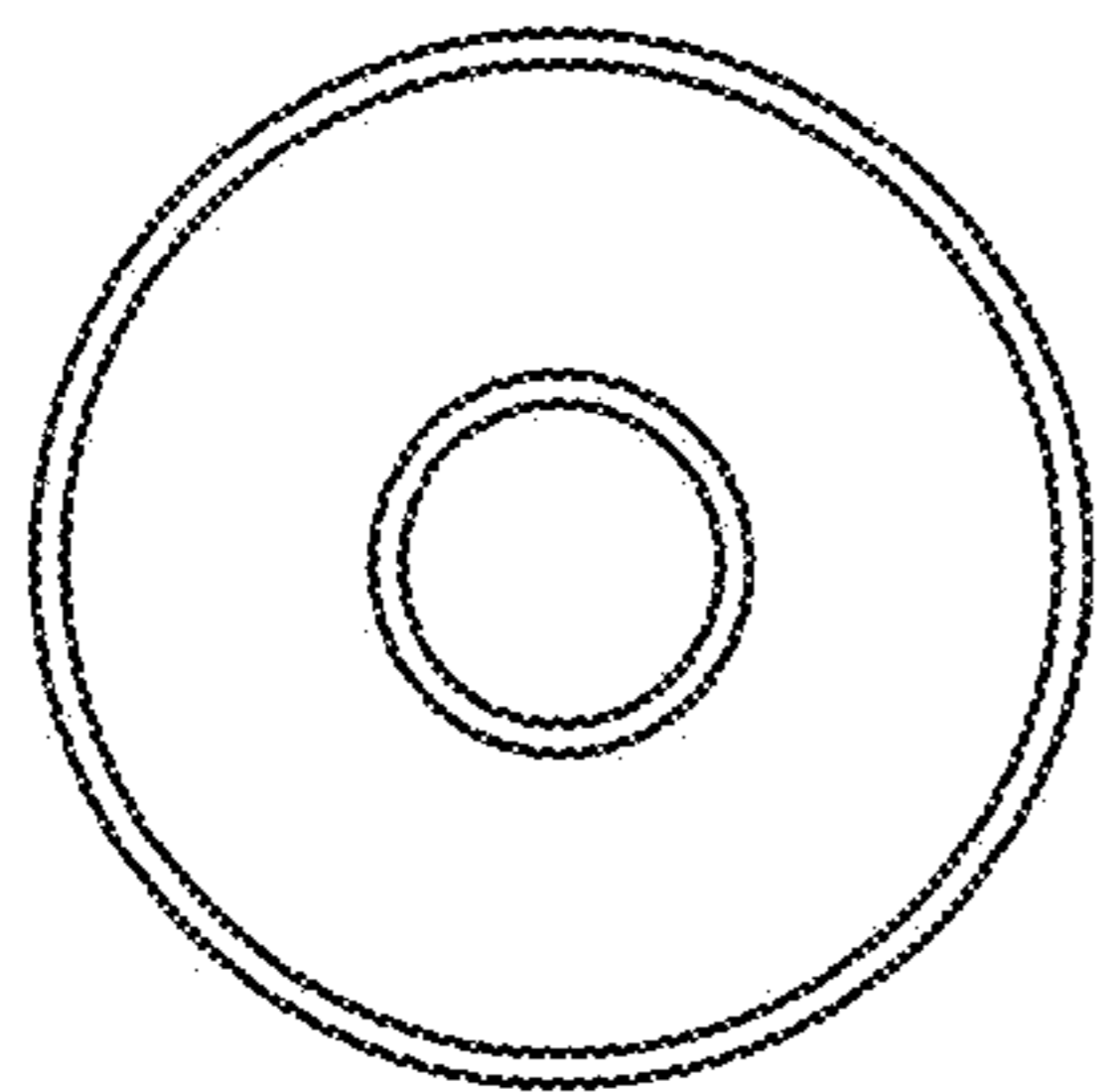


Fig. 3

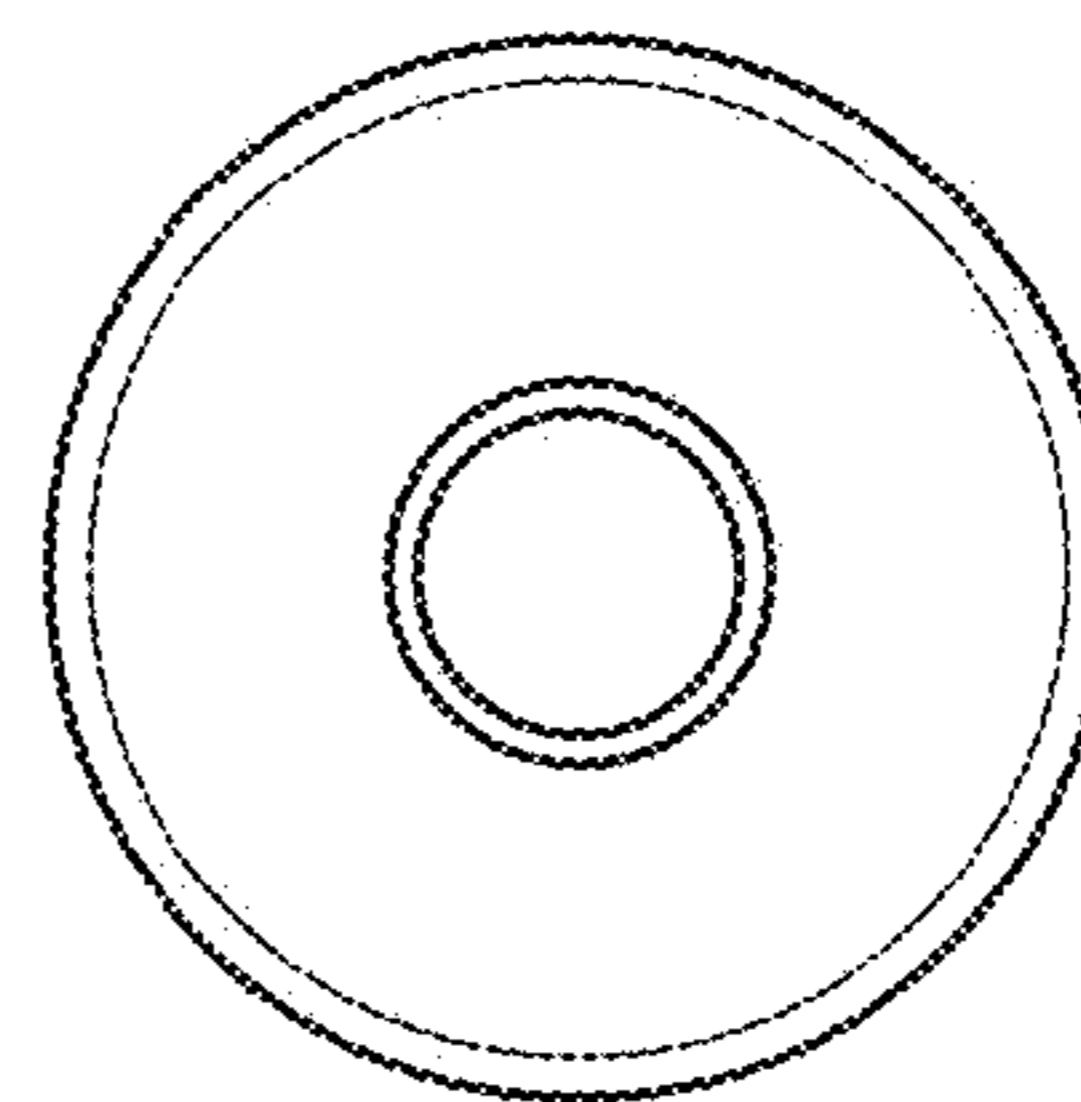


Fig. 4

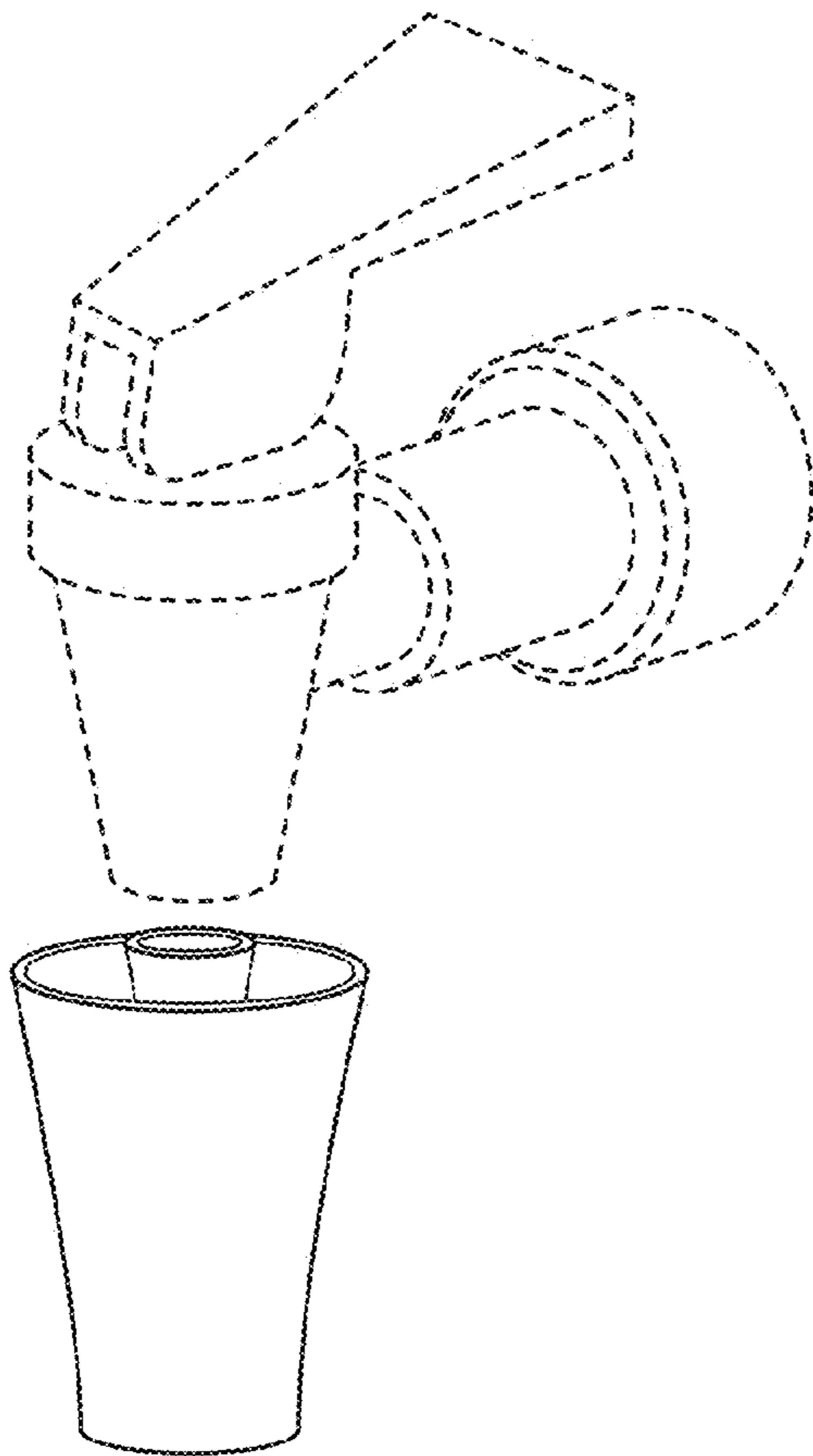


Fig. 5

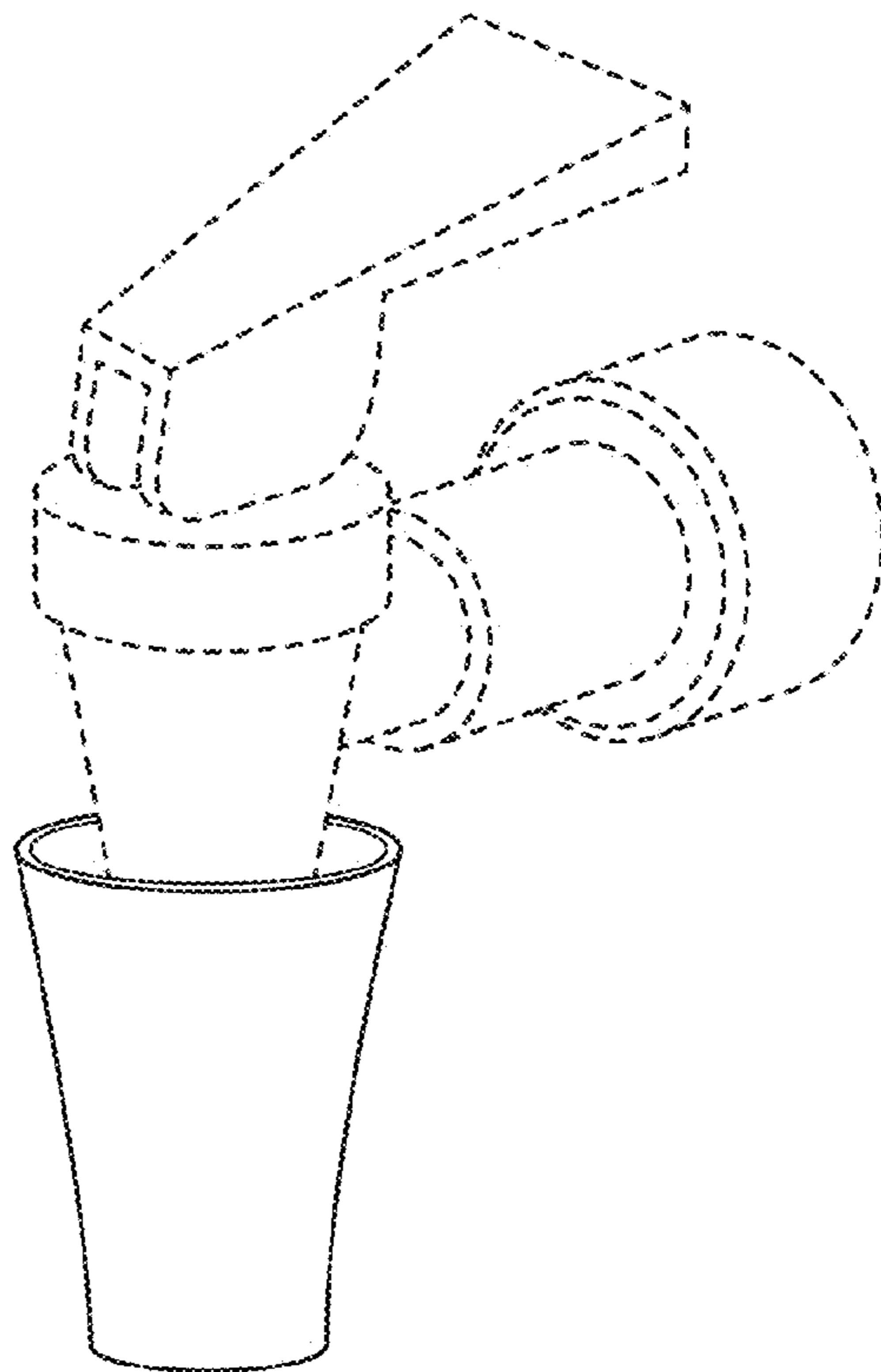


Fig. 6