



US00D746630S

(12) **United States Design Patent**
Ji

(10) **Patent No.:** **US D746,630 S**

(45) **Date of Patent:** **** Jan. 5, 2016**

(54) **FOOD PROCESSOR**

(71) Applicant: **Electrolux Appliances Aktiebolag,**
Stockholm (SE)

(72) Inventor: **Lei Ji,** Stockholm (SE)

(73) Assignee: **Electrolux Appliances Aktiebolag,**
Stockholm (SE)

(**) Term: **14 Years**

(21) Appl. No.: **29/489,962**

(22) Filed: **May 5, 2014**

(30) **Foreign Application Priority Data**

Mar. 26, 2014 (EM) 002432914

(51) **LOC (10) Cl.** **31-00**

(52) **U.S. Cl.**
USPC **D7/384; D7/376; D7/378**

(58) **Field of Classification Search**
USPC D7/372, 376-386, 412-413, 602, 629,
D7/665-666, 669, 679, 693-694
CPC A21C 1/02; A21C 1/04; A23N 1/00;
A23N 1/02; A47J 27/004; A47J 43/04;
A47J 43/25; A47J 43/27; A47J 43/042;
A47J 43/044; A47J 43/046; A47J 43/075;
A47J 43/0722; A47J 43/0727; B01F 3/00;
B01F 3/0807; B01F 3/0853; B01F 13/0059;
B01F 13/0064; B02C 1/08; B02C 2/04;
B02C 4/42; B02C 4/142; B02C 4/143; B02C
4/423; B02C 13/1835; B28C 5/10; B28C
5/12; B28C 5/14; B28C 5/16

See application file for complete search history.

(56) **References Cited**

U.S. PATENT DOCUMENTS

D466,362	S	*	12/2002	Moore	D7/378
D466,759	S	*	12/2002	Moore	D7/378
D502,842	S	*	3/2005	Hallar	D7/384
D543,072	S	*	5/2007	Ting et al.	D7/378
D547,601	S	*	7/2007	Ting et al.	D7/384
D587,064	S	*	2/2009	Mark	D7/384
D613,547	S	*	4/2010	Day et al.	D7/378
D650,229	S	*	12/2011	Hensel et al.	D7/412
8,262,005	B2	*	9/2012	Garcia	241/37.5
D683,180	S	*	5/2013	Carlson	D7/384
8,733,239	B2	*	5/2014	Allen	99/537

* cited by examiner

Primary Examiner — Ricky Pham

(74) *Attorney, Agent, or Firm* — Banner & Witcoff, Ltd.

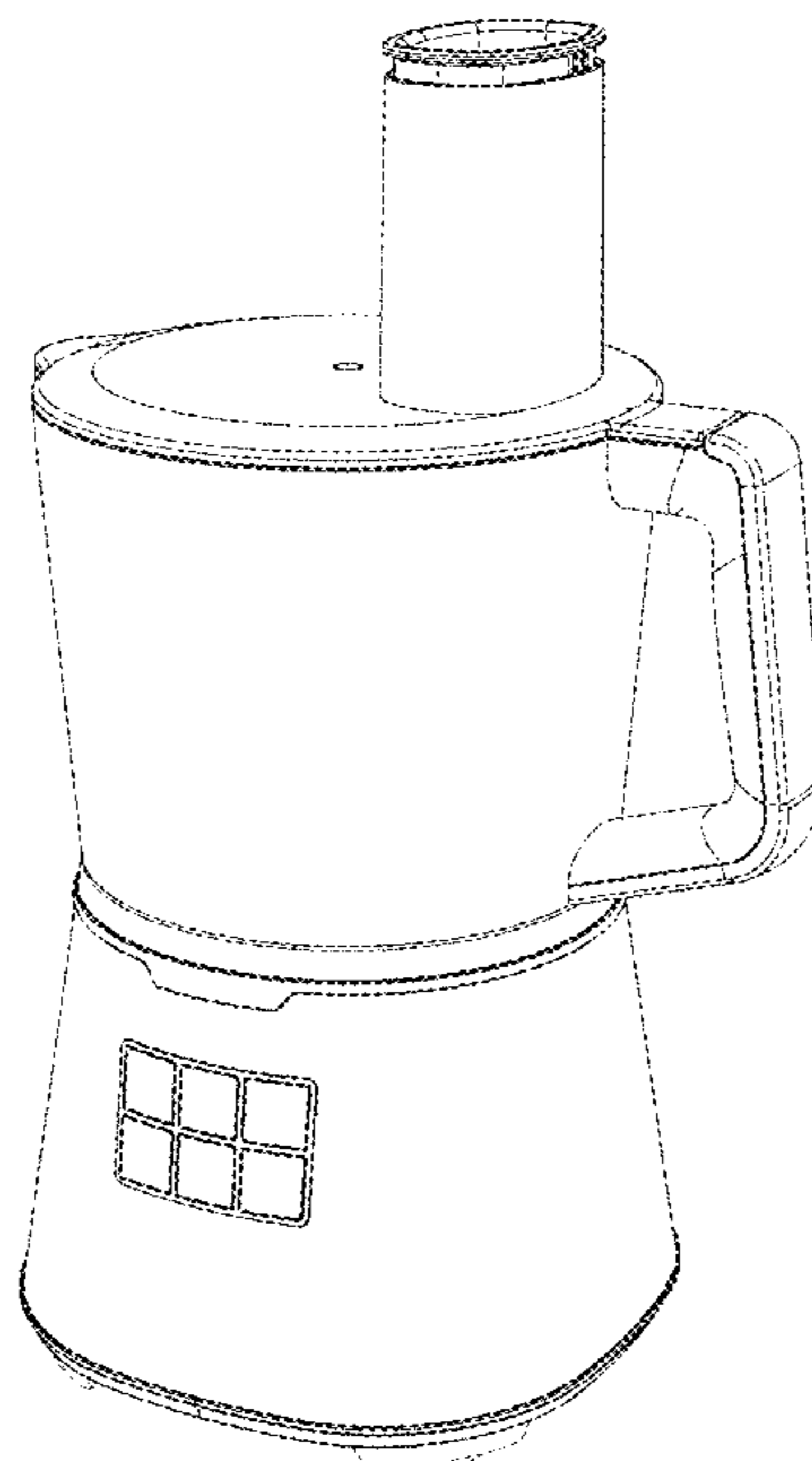
(57) **CLAIM**

The ornamental design for a food processor, as shown and described.

DESCRIPTION

FIG. 1 is a front perspective view of a food processor showing my new design;
FIG. 2 is a top plan view thereof;
FIG. 3 is a front view thereof;
FIG. 4 is a right side view thereof;
FIG. 5 is a left side view thereof; and,
FIG. 6 is a rear view thereof.
The broken line showing of the bottom portion of the food processor is for illustrative purposes only and forms no part of the claimed design.

1 Claim, 6 Drawing Sheets



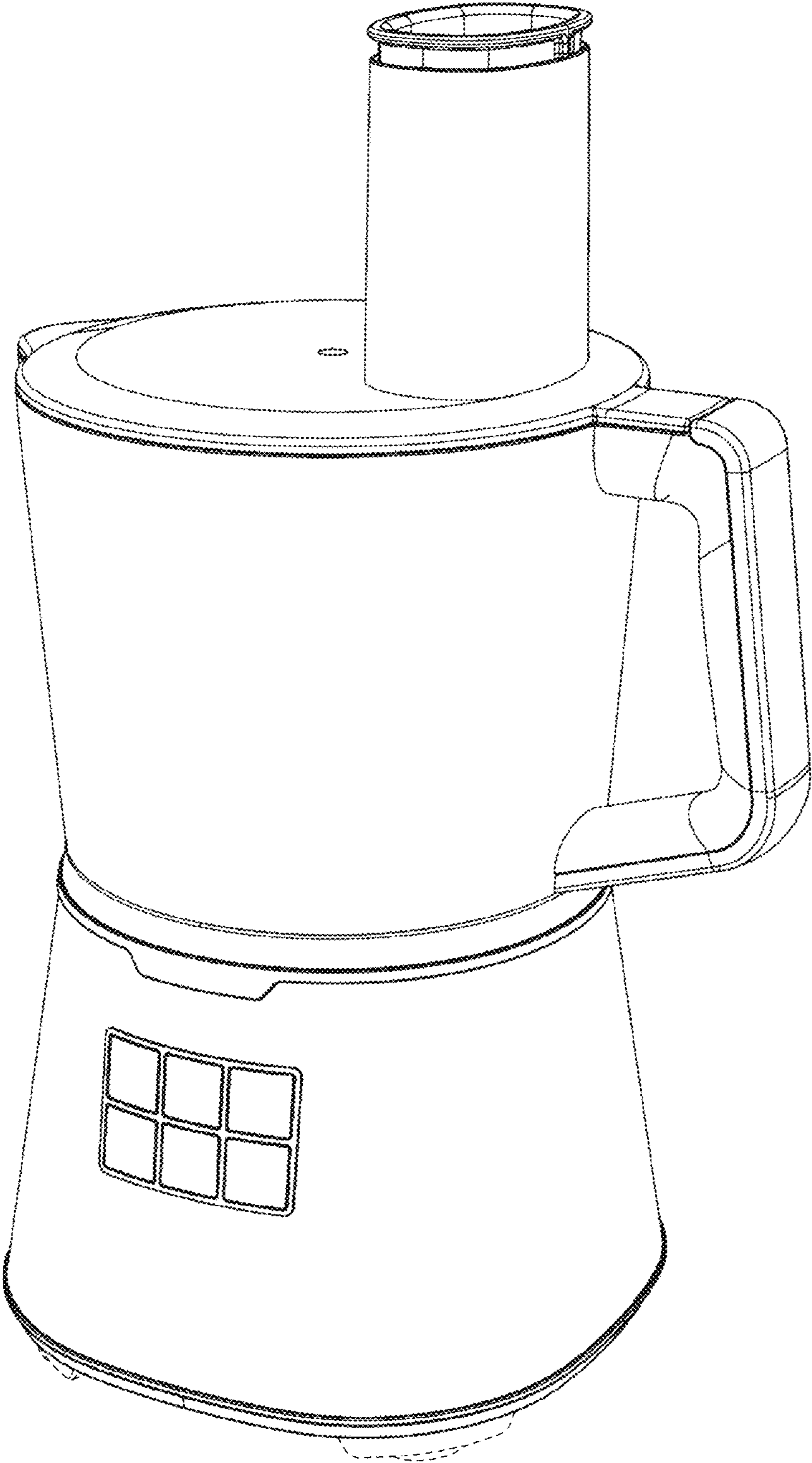


FIG. 1

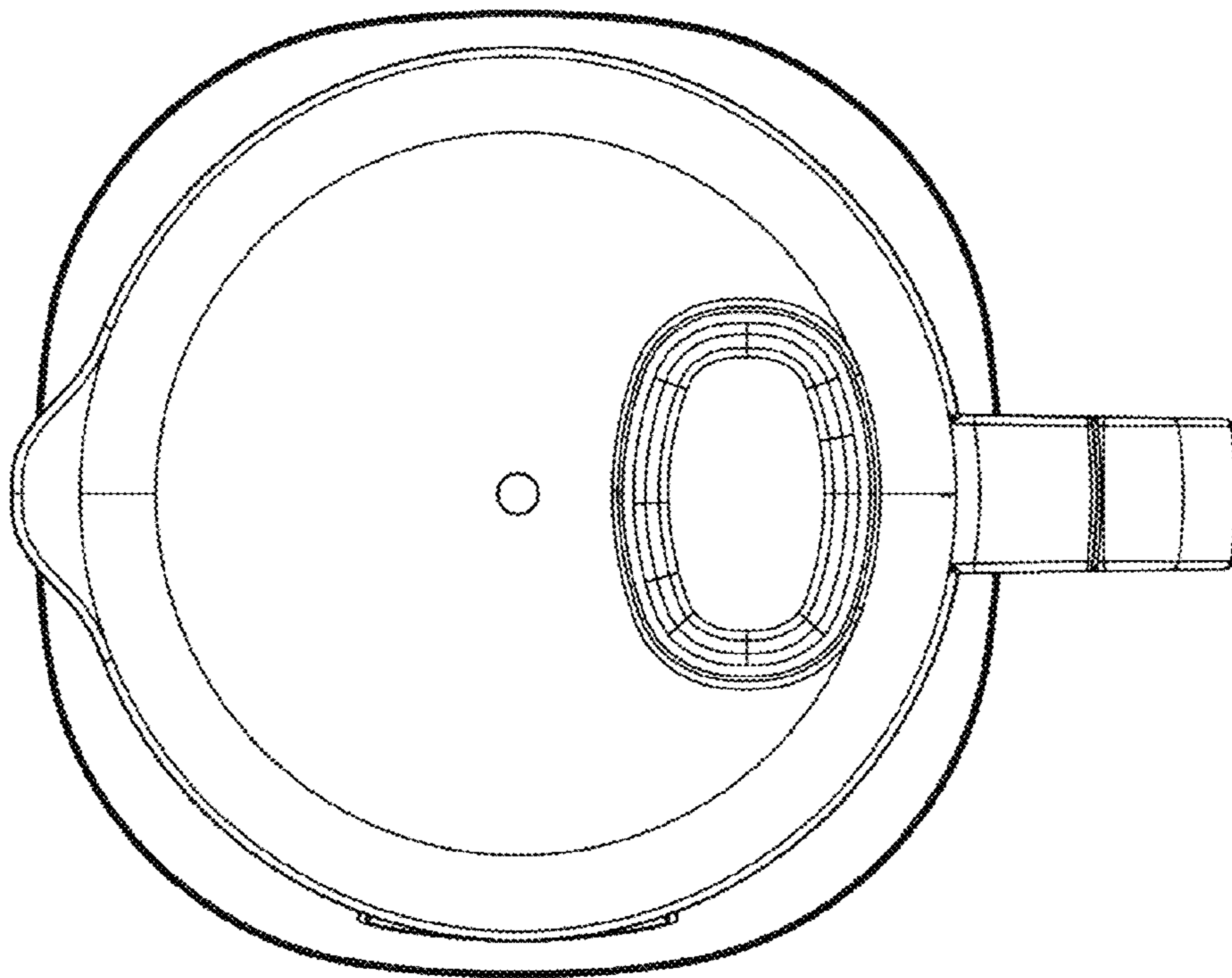


FIG. 2

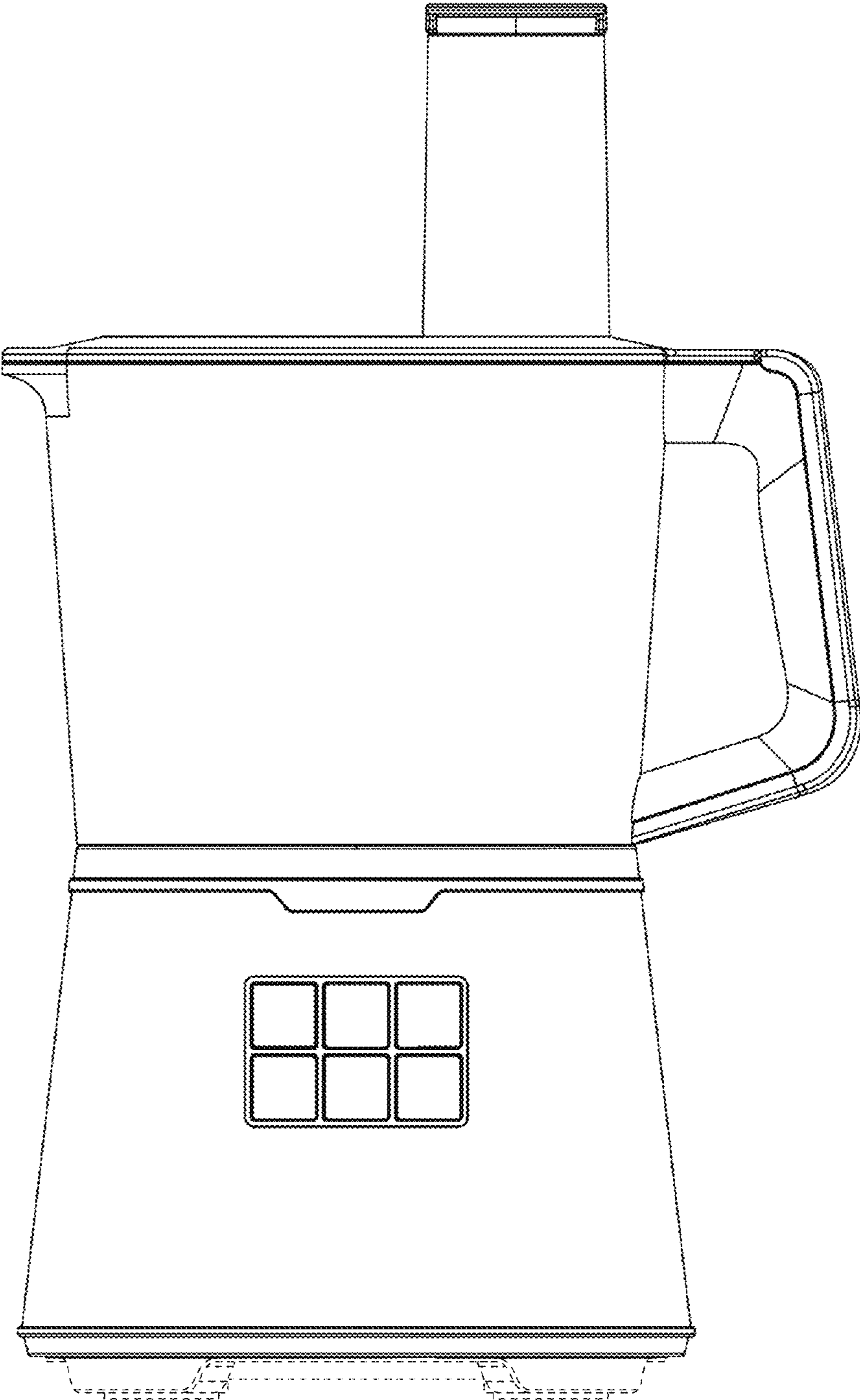


FIG. 3

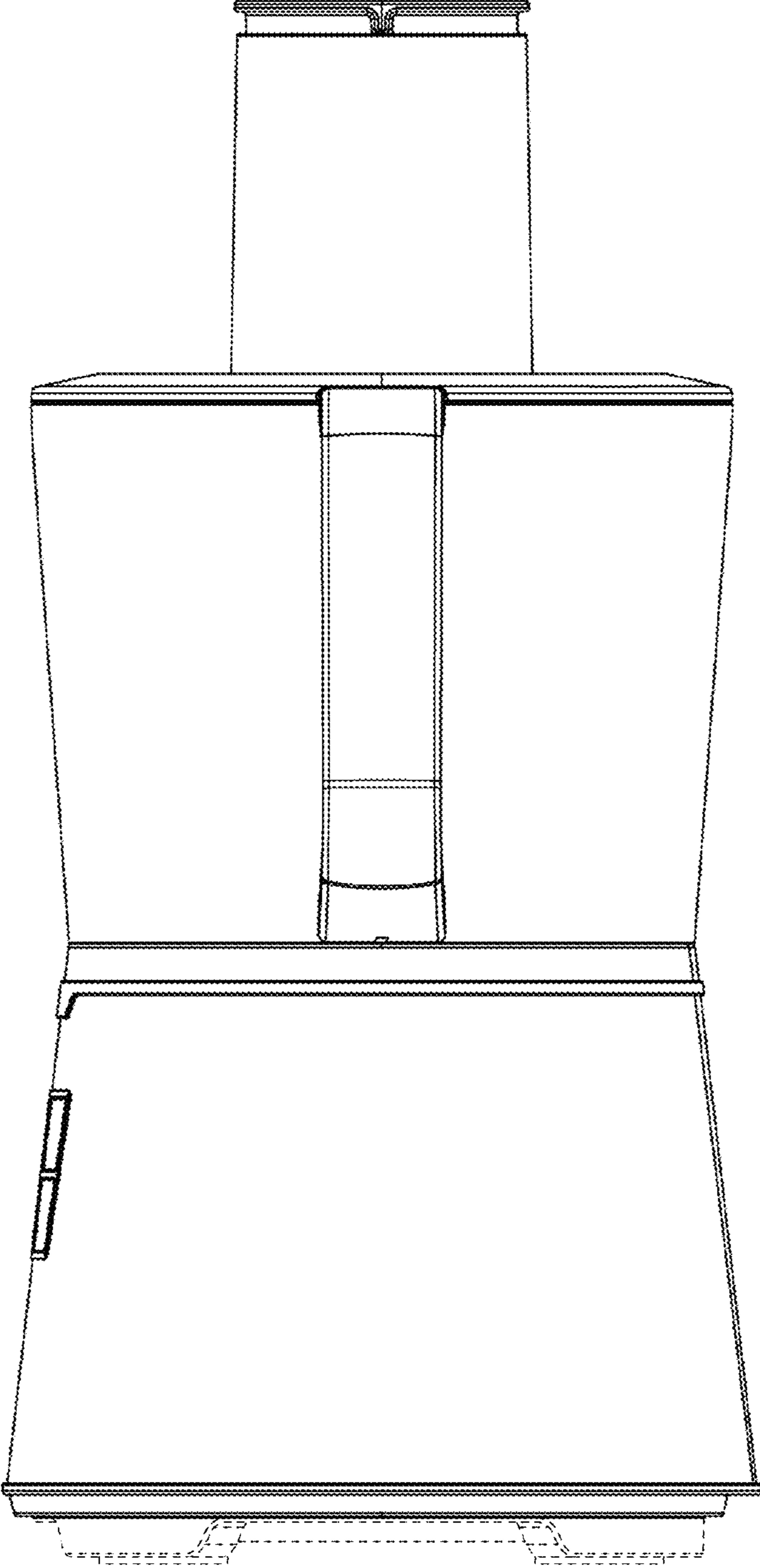


FIG. 4

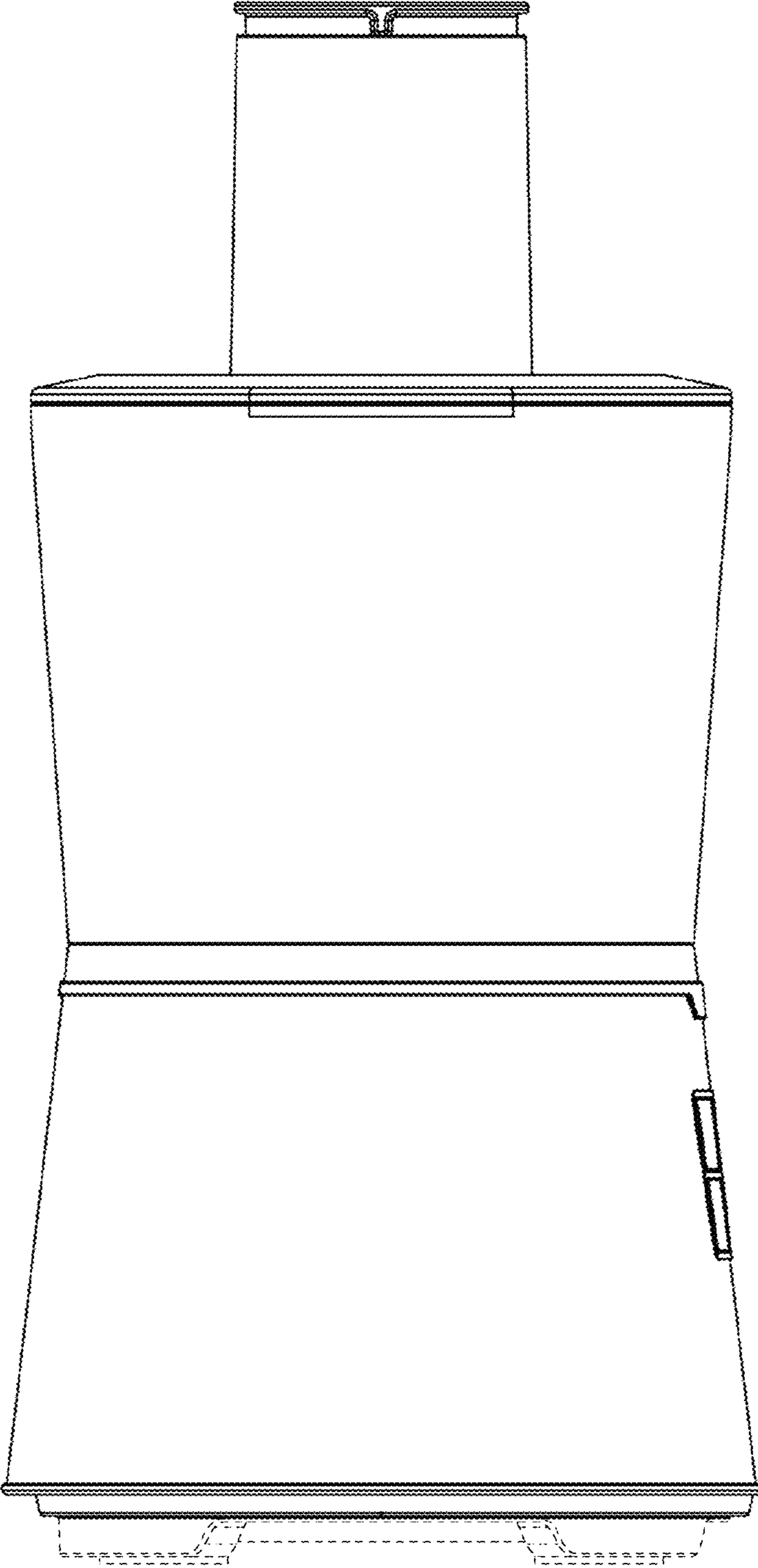


FIG. 5

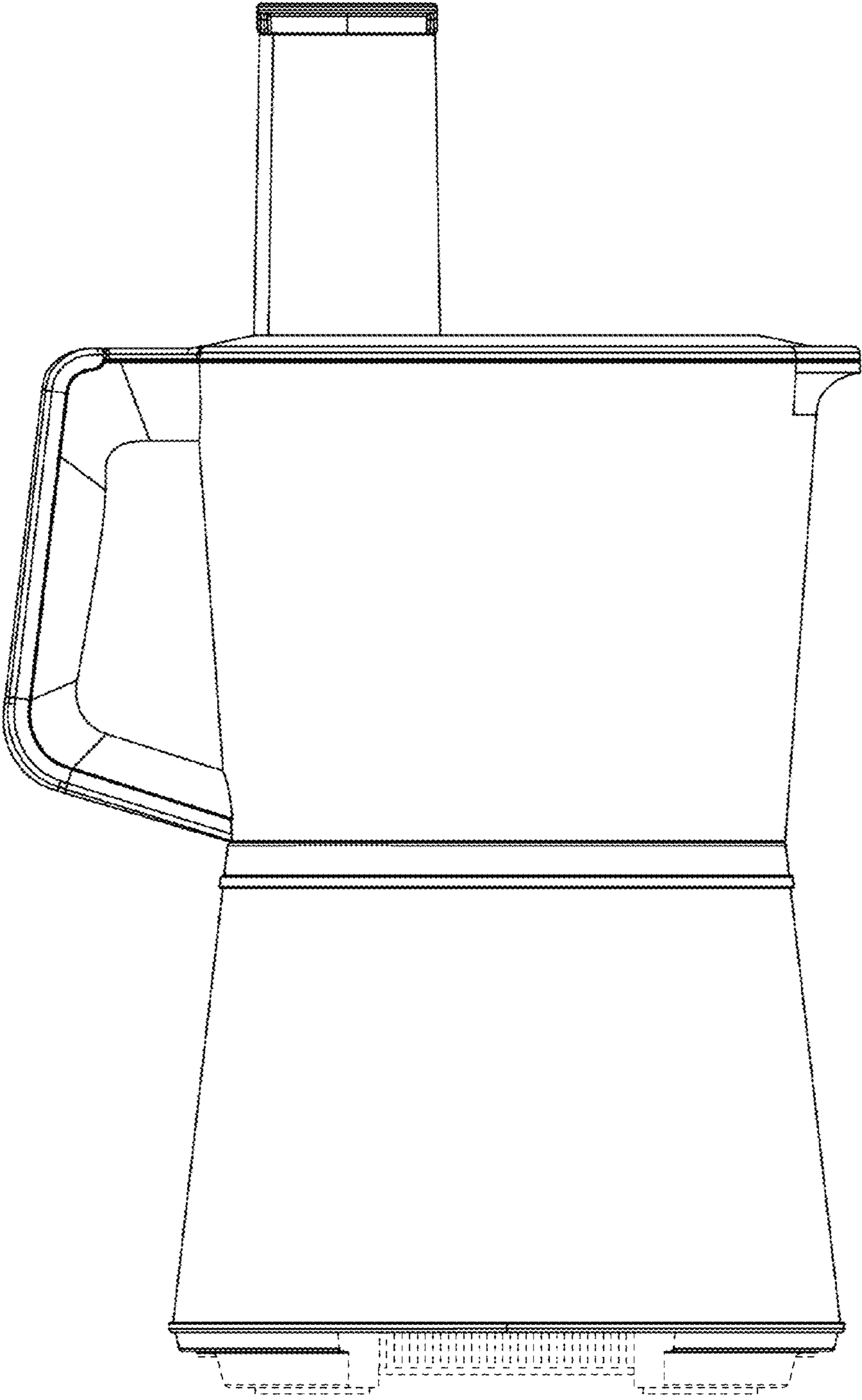


FIG. 6