



US00D746629S

(12) **United States Design Patent**  
**Ji**

(10) **Patent No.:** **US D746,629 S**  
(45) **Date of Patent:** **\*\* Jan. 5, 2016**

(54) **BLENDER**

(56) **References Cited**

(71) Applicant: **Electrolux Appliances Aktiebolaget,**  
Stockholm (SE)

U.S. PATENT DOCUMENTS

(72) Inventor: **Lei Ji,** Stockholm (SE)

D123,477 S *	11/1940	Feltman et al. ....	D7/378
D199,888 S *	12/1964	Dewenter .....	D7/378
D394,986 S *	6/1998	Lallemand .....	D7/378
D448,967 S *	10/2001	Planca et al. ....	D7/378
D453,443 S *	2/2002	Hoare et al. ....	D7/378
D466,362 S *	12/2002	Moore .....	D7/378
D466,759 S *	12/2002	Moore .....	D7/378
D479,666 S *	9/2003	Barker .....	D7/378
D543,072 S *	5/2007	Ting et al. ....	D7/378
D556,505 S *	12/2007	Wu .....	D7/378
D613,547 S *	4/2010	Day et al. ....	D7/378
D669,304 S *	10/2012	Bock et al. ....	D7/378
2006/0043088 A1 *	3/2006	Ancona et al. ....	219/720

(73) Assignee: **Electrolux Appliances Aktiebolag,**  
Stockholm (SE)

(\*\*) Term: **14 Years**

(21) Appl. No.: **29/485,878**

(22) Filed: **Mar. 24, 2014**

\* cited by examiner

(30) **Foreign Application Priority Data**

Sep. 24, 2013 (EM) ..... 002314492

*Primary Examiner* — Ricky Pham

(51) **LOC (10) CL.** ..... **31-00**

(74) *Attorney, Agent, or Firm* — Banner & Witcoff, Ltd.

(52) **U.S. CL.**  
USPC ..... **D7/378; D7/376; D7/384**

(57) **CLAIM**

The ornamental design for a blender, as shown and described.

(58) **Field of Classification Search**

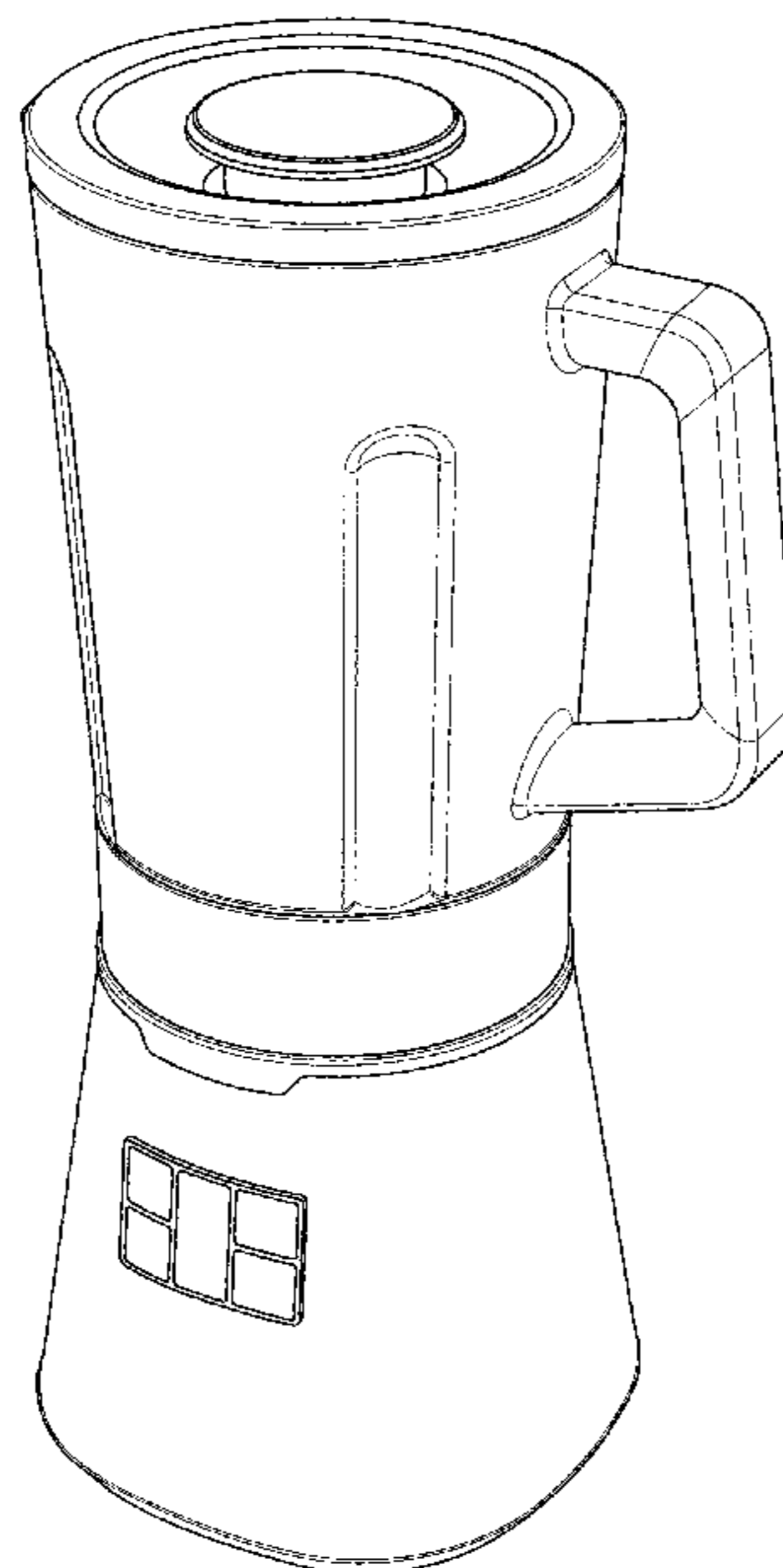
**DESCRIPTION**

USPC ..... D7/372, 376–386, 412–413, 602, 629,  
D7/665–666, 669, 679, 693–694  
CPC ..... A21C 1/02; A21C 1/04; A23N 1/00;  
A23N 1/02; A47J 27/62; A47J 43/04; A47J  
43/25; A47J 43/27; A47J 43/042; A47J  
43/044; A47J 43/046; A47J 43/075; A47J  
43/0722; A47J 43/0727; B01F 3/00; B01F  
3/0807; B01F 3/0853; B01F 13/0059; B01F  
13/0064; B02C 1/08; B02C 2/04; B02C 4/42;  
B02C 4/142; B02C 4/143; B02C 4/423;  
B02C 13/1835; B28C 5/10; B28C 5/12;  
B28C 5/14; B28C 5/16

FIG. 1 is a front perspective view of a blender showing my new design;  
FIG. 2 is a top plan view thereof;  
FIG. 3 is a front view thereof;  
FIG. 4 is a right side view thereof;  
FIG. 5 is a left side view thereof; and,  
FIG. 6 is a rear view thereof.  
The broken line showing of the bottom portion of the blender is for illustrative purposes only and forms no part of the claimed design.

See application file for complete search history.

**1 Claim, 6 Drawing Sheets**



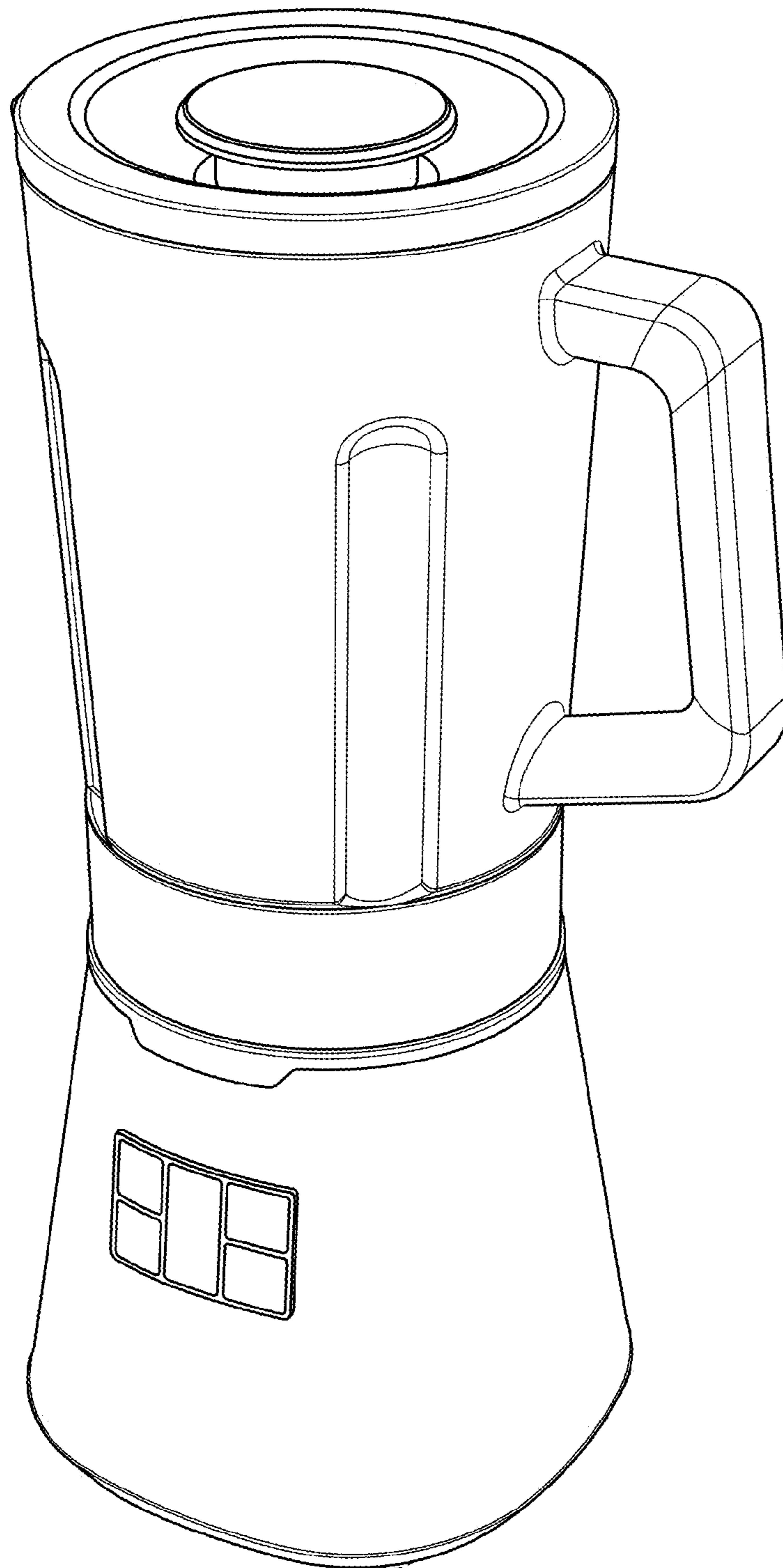


FIG. 1

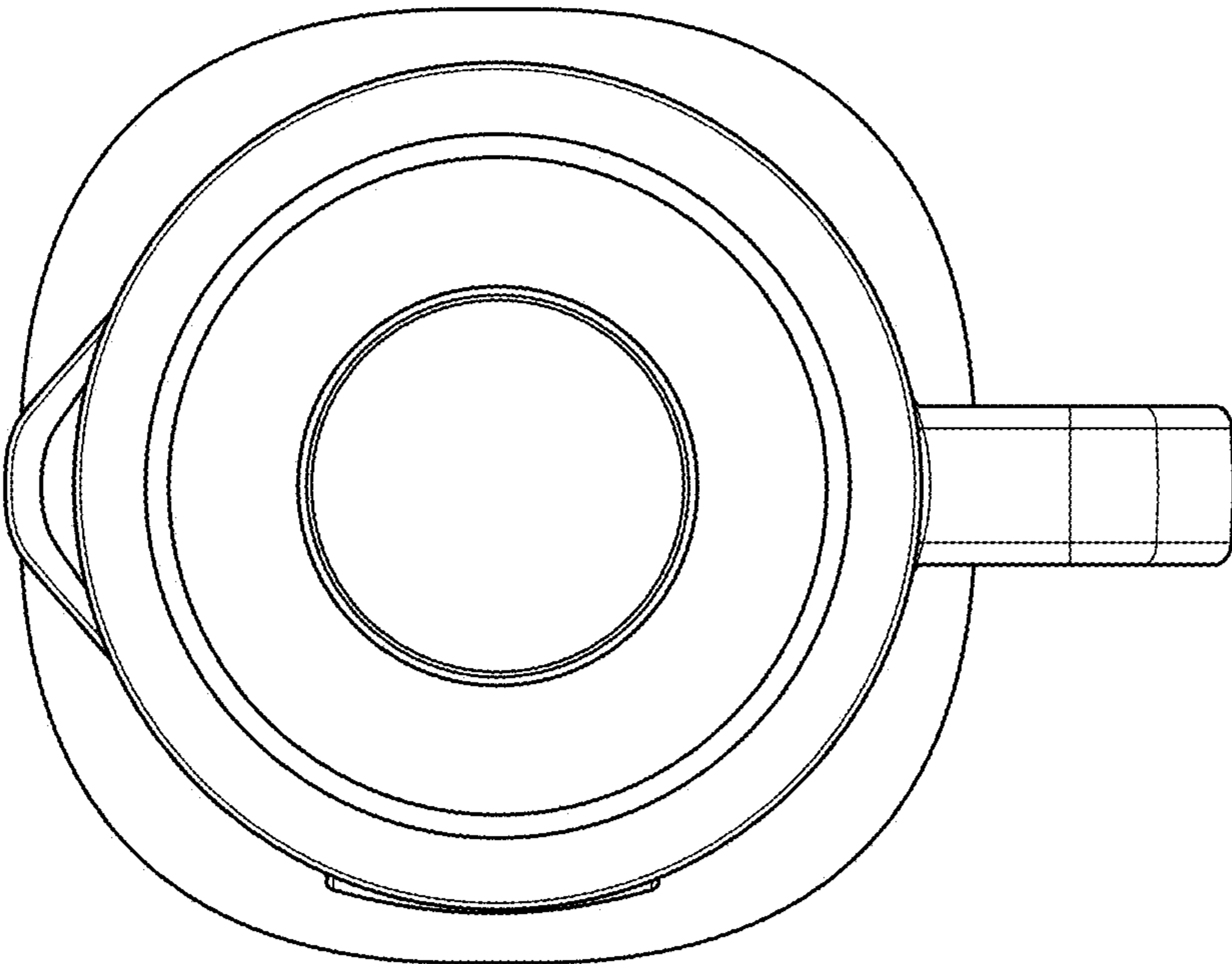


FIG. 2

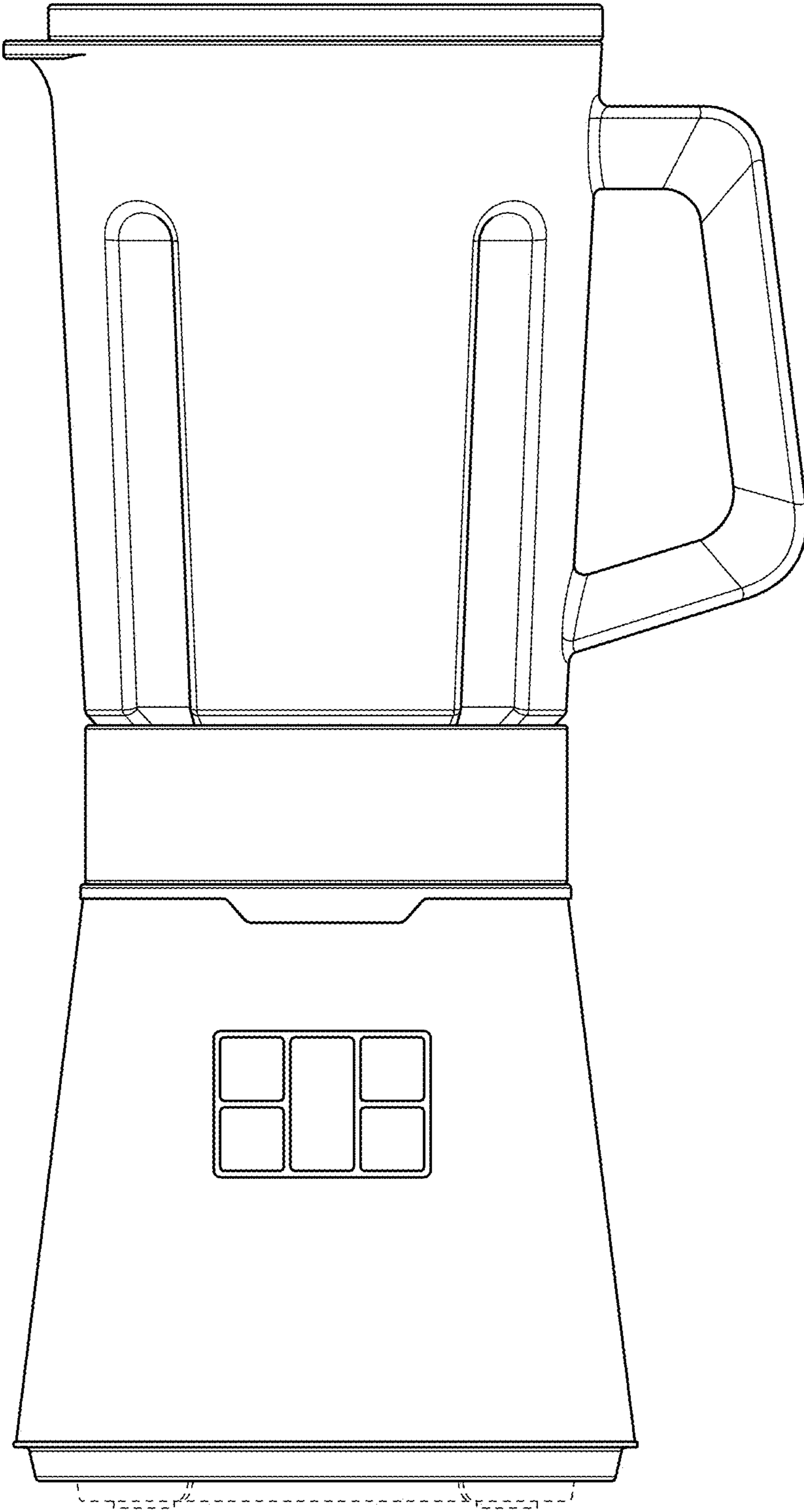


FIG. 3

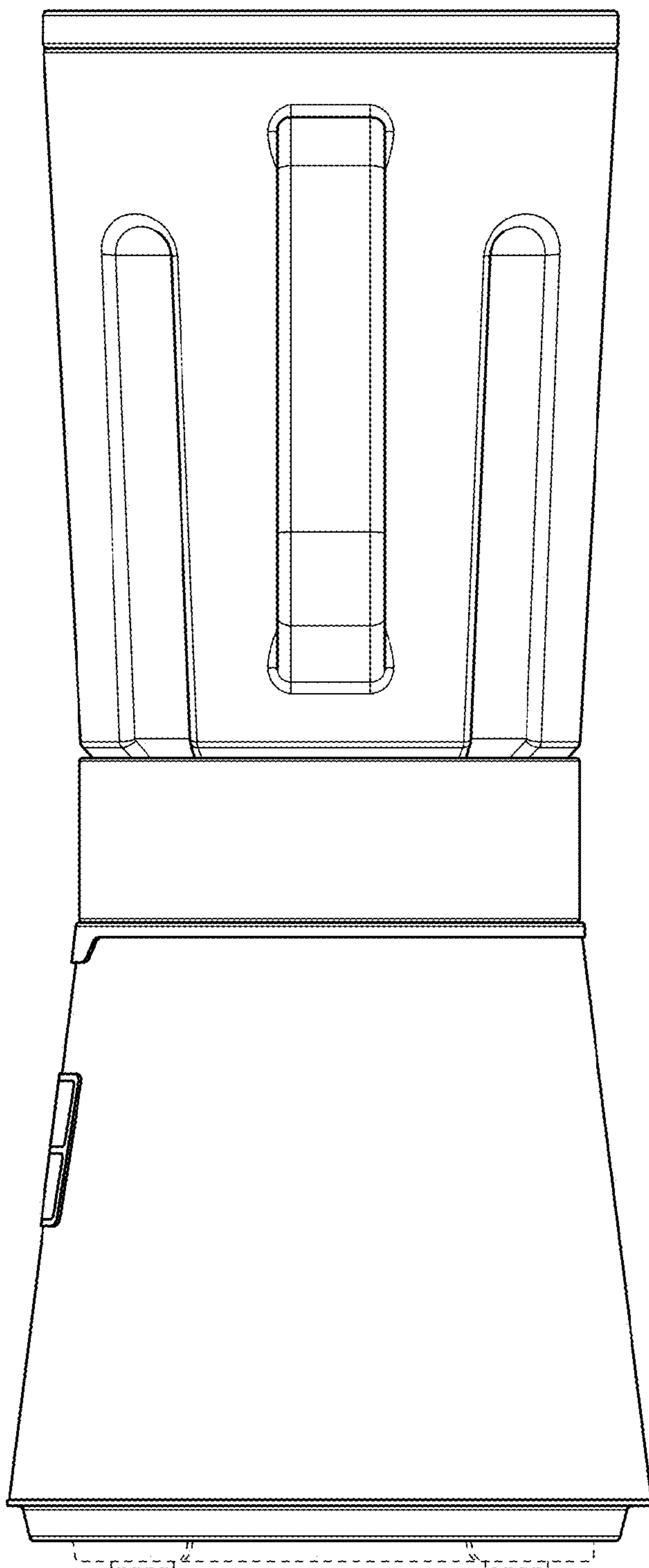


FIG. 4

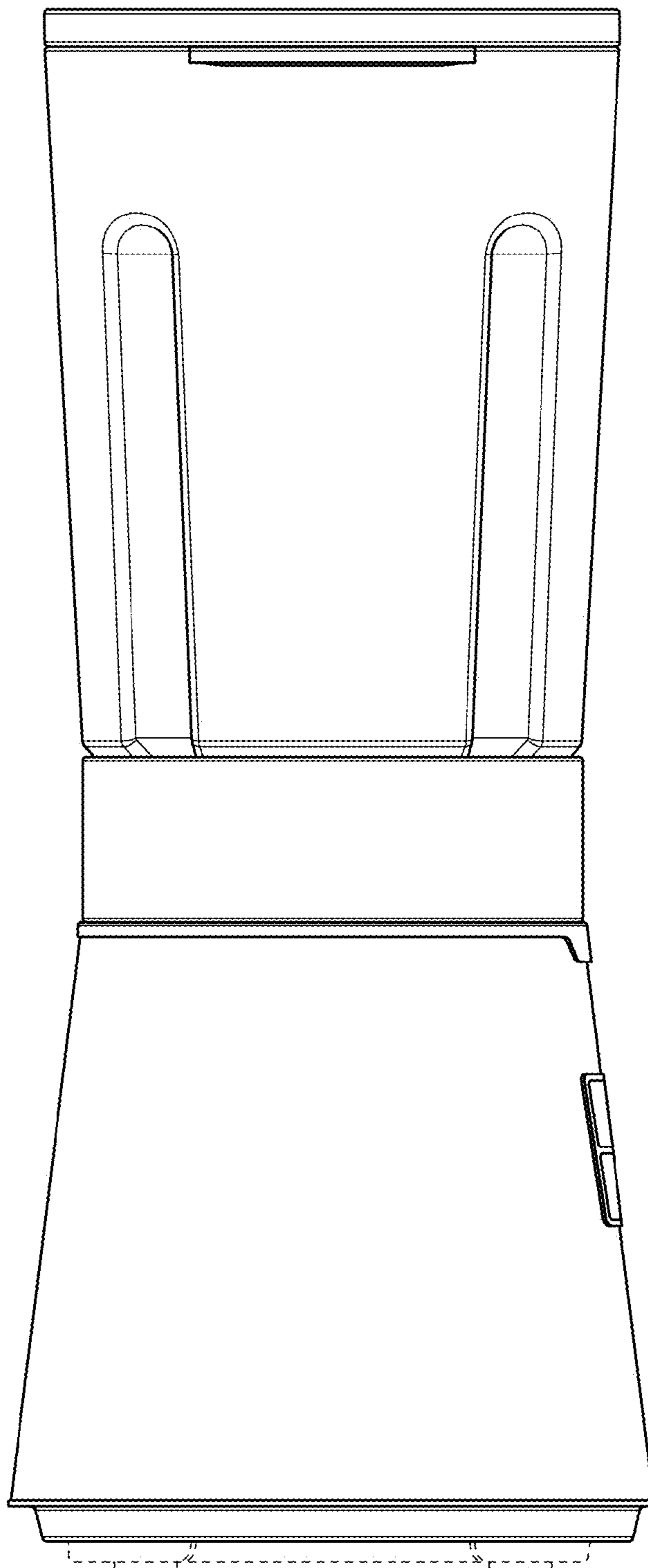


FIG. 5



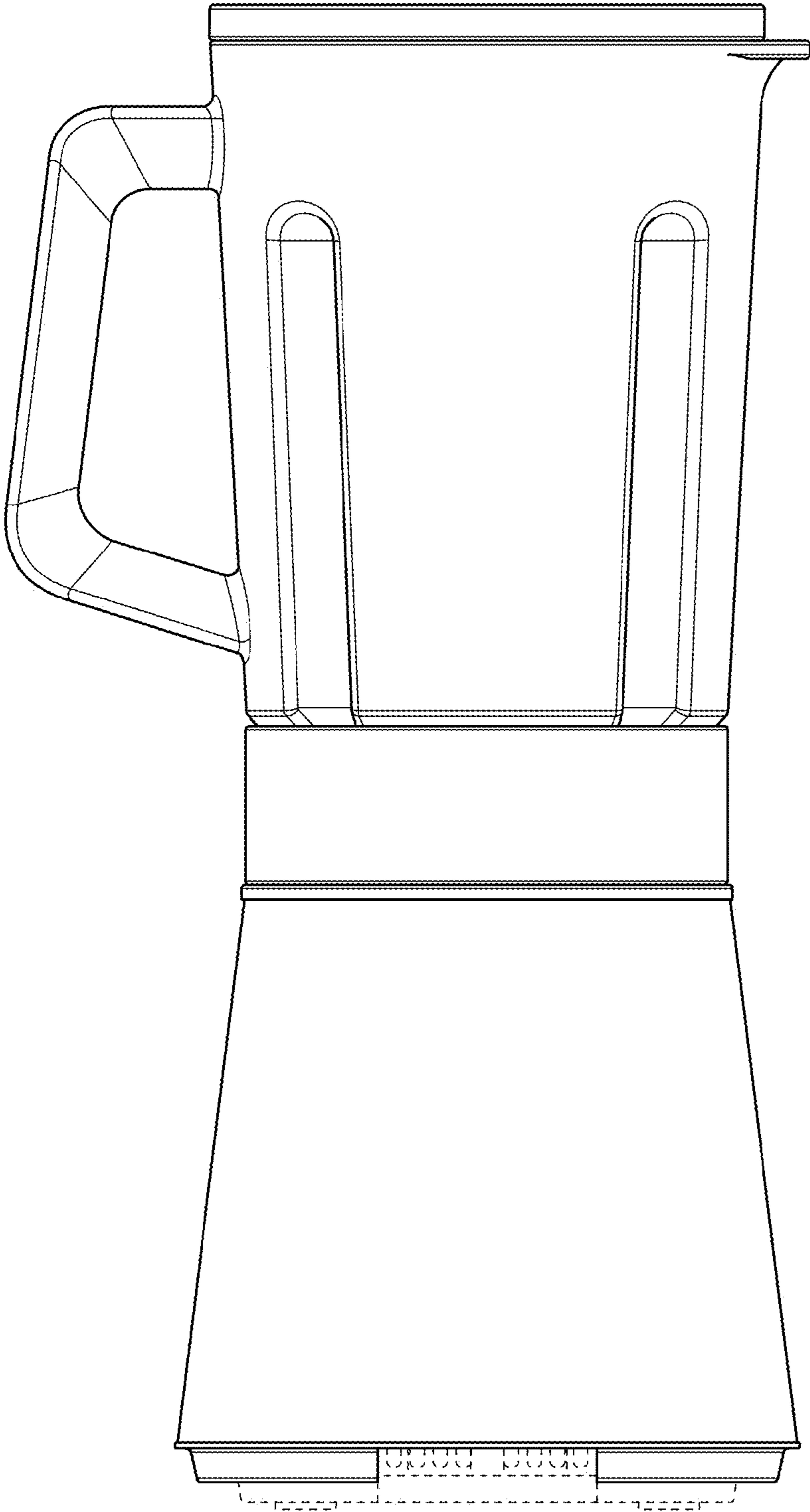


FIG. 6