



US00D746628S

(12) **United States Design Patent**
Nagrani

(10) **Patent No.:** **US D746,628 S**
(45) **Date of Patent:** **** Jan. 5, 2016**

- (54) **FRYING PAN**
- (71) Applicant: **DREAMBIZ LIMITED**, Kowloon (HK)
- (72) Inventor: **Rajendra Sobha Nagrani**, Kowloon (HK)
- (**) Term: **14 Years**
- (21) Appl. No.: **29/506,567**
- (22) Filed: **Oct. 17, 2014**
- (51) **LOC (10) Cl.** **07-02**
- (52) **U.S. Cl.**
USPC **D7/357; D7/354; D7/359; D7/361**
- (58) **Field of Classification Search**
USPC **D6/674; D7/323, 354-363, 391, D7/393-396, 409**
CPC **A47G 19/06; A47G 19/12; A47J 27/00; A47J 27/002; A47J 27/08; A47J 27/21; A47J 27/58; A47J 36/025; A47J 36/06; A47J 36/12; A47J 36/26; A47J 37/00; A47J 37/10; A47J 37/101; A47J 37/103; A47J 37/108; A47J 37/12; A47J 37/1204; A47J 45/061; A47J 45/071; A47J 45/08; A63H 33/3055; B65D 81/3222; H05B 6/12**
See application file for complete search history.

- 1,505,675 A * 8/1924 Stirn A47J 37/10 126/215
- 1,936,551 A * 11/1933 Garrison A47J 37/10 99/339
- 2,515,617 A * 7/1950 Tilford A47J 37/10 126/390.1
- 3,120,717 A * 2/1964 Glass A63H 33/3055 446/397
- D227,730 S * 7/1973 Shull et al. D7/357
- 5,967,022 A * 10/1999 Moschella A47J 37/108 220/731
- 6,371,322 B1 * 4/2002 Bryant A47G 19/06 220/23.86
- D492,537 S * 7/2004 Cheng D7/357
- D492,538 S * 7/2004 Cheng D7/357
- D536,199 S * 2/2007 Kloppsteck D6/674
- D712,193 S * 9/2014 Nagrani D7/354

* cited by examiner

Primary Examiner — Ricky Pham
(74) *Attorney, Agent, or Firm* — Prakash Nama; Global IP Services, PLLC

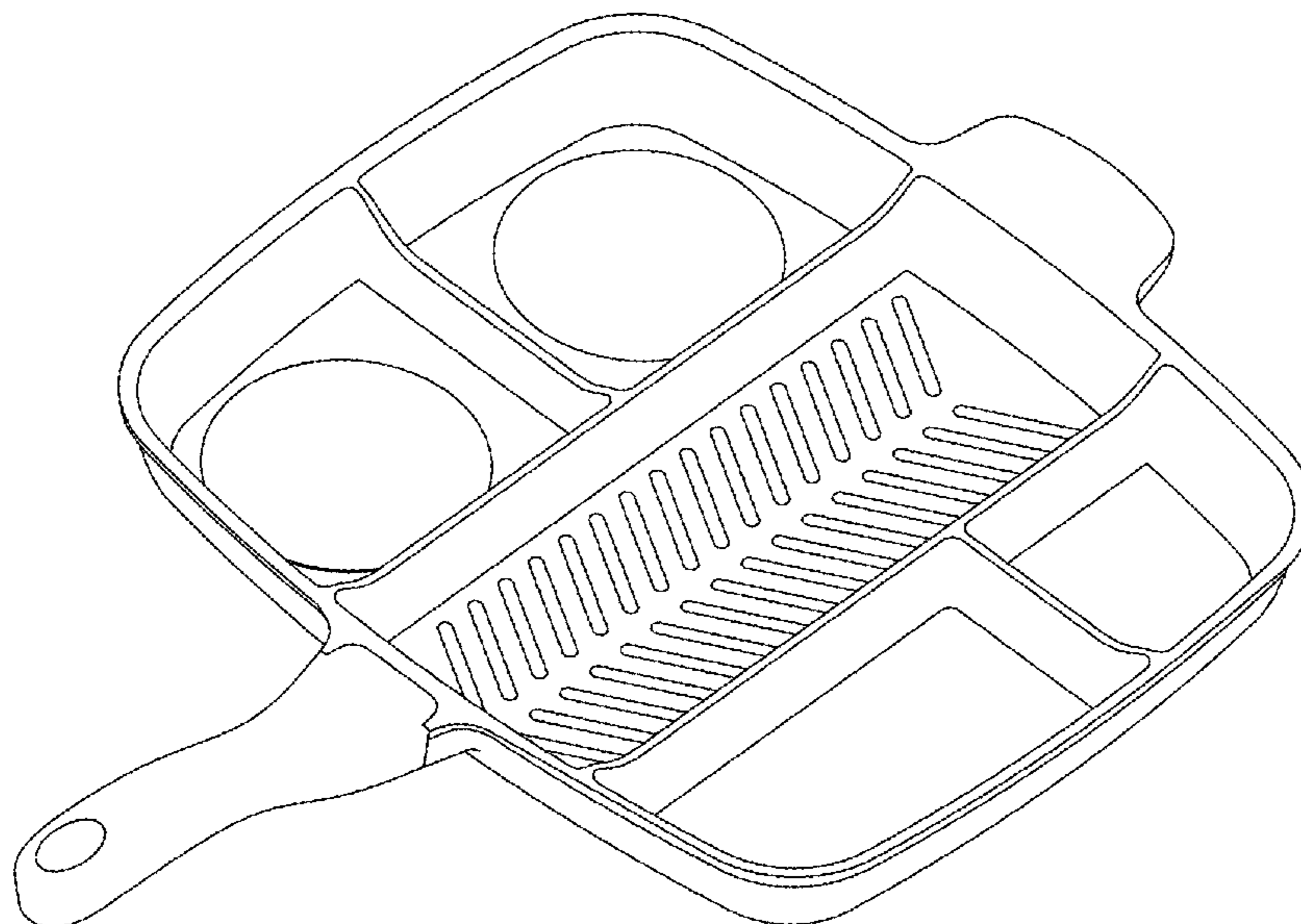
(57) **CLAIM**
The ornamental design for a frying pan, as shown.

DESCRIPTION

FIG. 1 is a front elevational view of a frying pan showing my new design;
FIG. 2 is a rear elevational view thereof;
FIG. 3 is a left side view thereof;
FIG. 4 is a right side view thereof;
FIG. 5 is a top plan view thereof;
FIG. 6 is a bottom plan view thereof; and,
FIG. 7 is a perspective view thereof.

1 Claim, 4 Drawing Sheets

- (56) **References Cited**
U.S. PATENT DOCUMENTS
867,086 A * 9/1907 Sullivan A47J 36/26 126/373.1
894,118 A * 7/1908 Compston B65D 81/3222 220/555



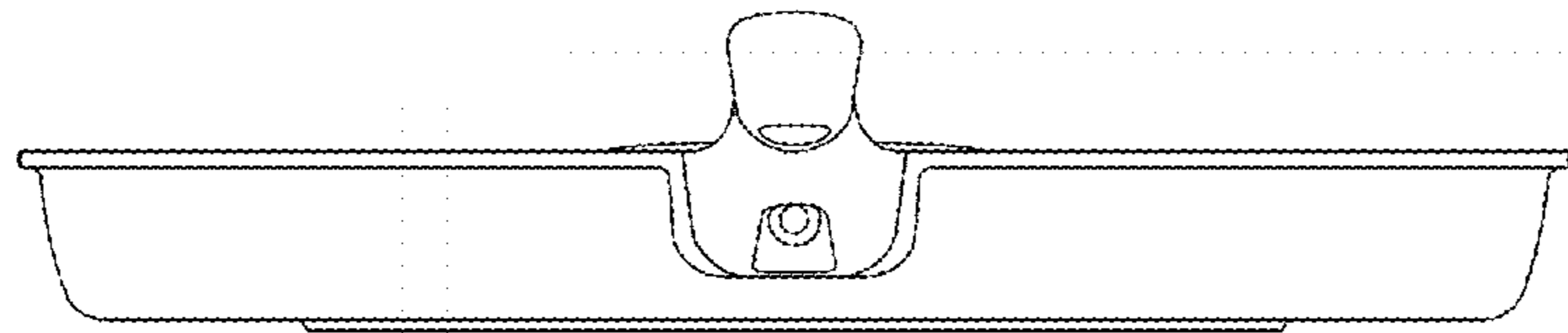


FIG. 1

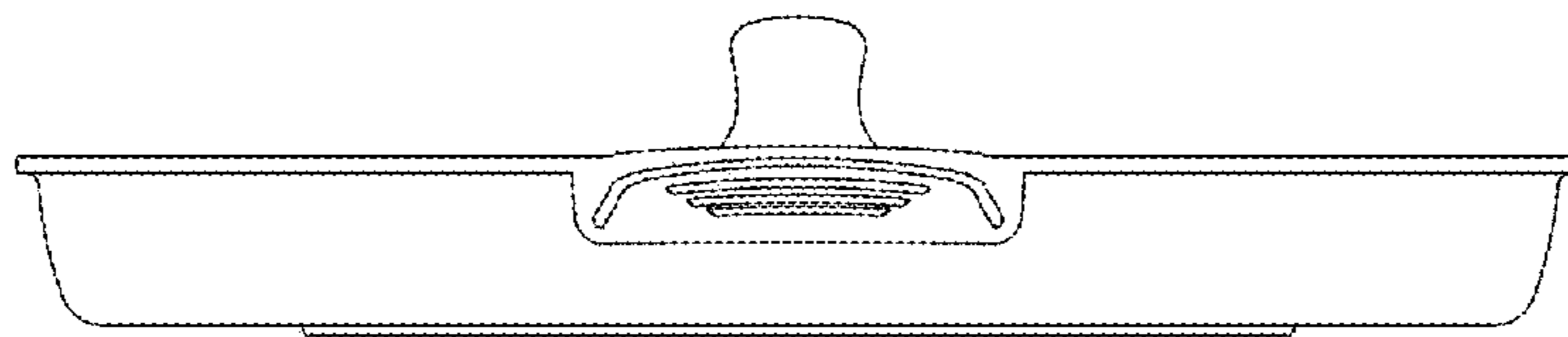


FIG. 2

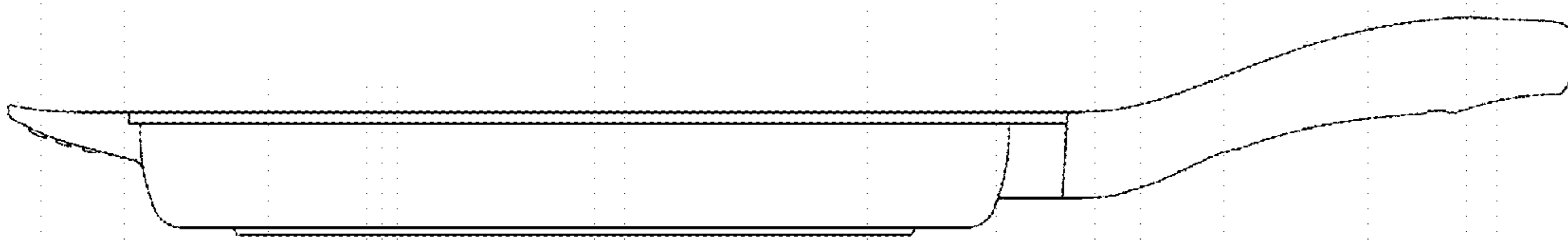


FIG. 3

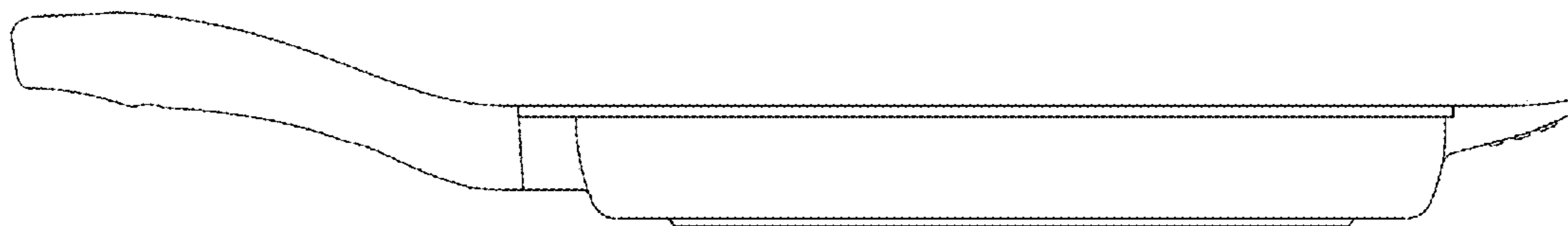


FIG. 4

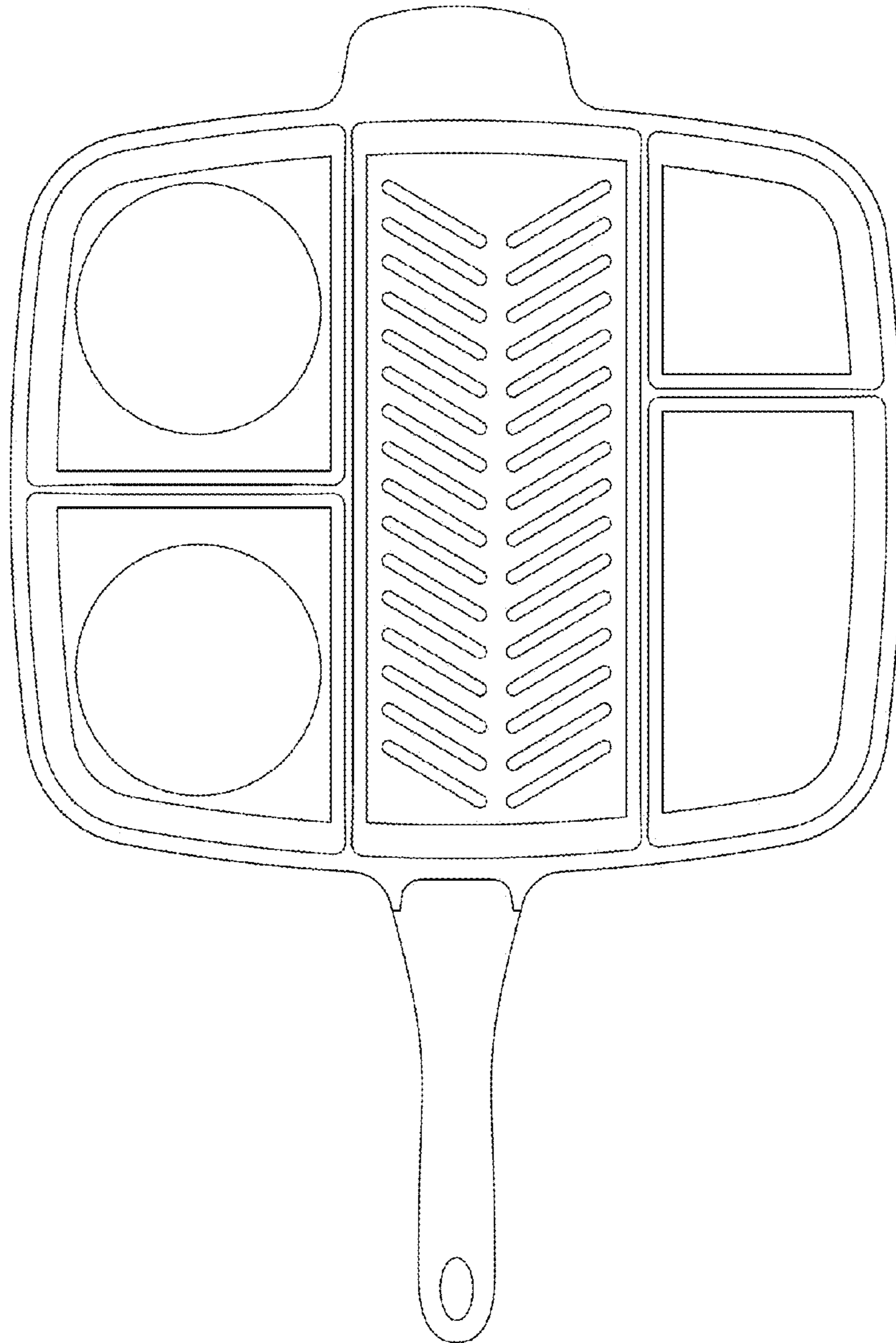


FIG. 5

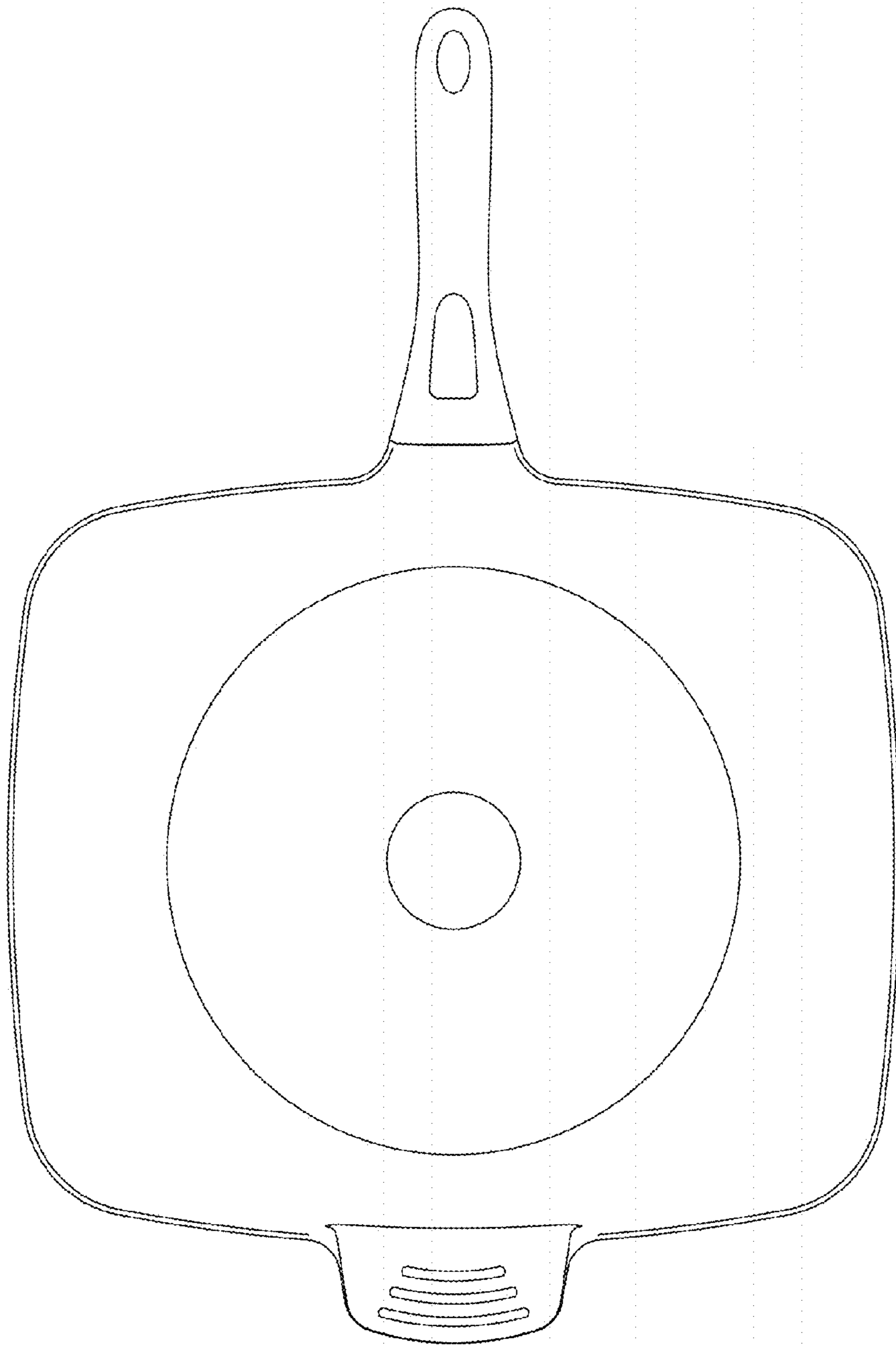


FIG. 6

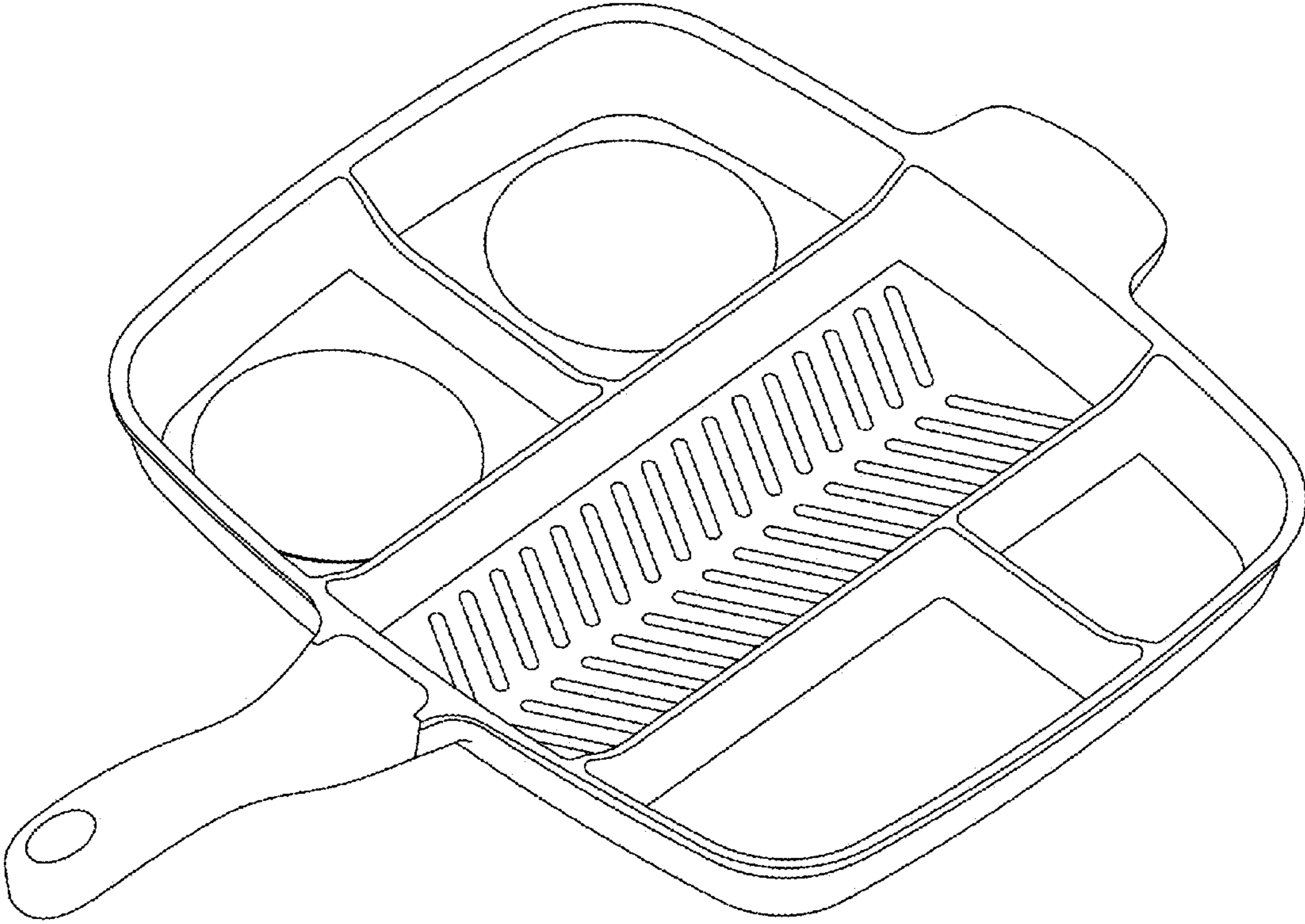


FIG. 7