



US00D746623S

(12) **United States Design Patent**
Hovsepian

(10) **Patent No.:** **US D746,623 S**
(45) **Date of Patent:** **** Jan. 5, 2016**

(54) **ELECTRIC ESPRESSO MAKER**

(71) Applicant: **SEB S.A.**, Ecully (FR)

(72) Inventor: **Celine Hovsepian**, Conflans Sainte Honorine (FR)

(73) Assignee: **SEB S.A.**, Ecully (FR)

(**) Term: **14 Years**

(21) Appl. No.: **29/495,492**

(22) Filed: **Jul. 1, 2014**

(30) **Foreign Application Priority Data**

Jan. 17, 2014 (EM) 002386540-0001

(51) **LOC (10) Cl.** **07-01**

(52) **U.S. Cl.**
USPC **D7/309**; D7/311; D7/399

(58) **Field of Classification Search**
USPC D7/306–311, 305, 300, 313, 399, 398,
D7/397; 99/279, 284, 290, 280, 299, 307,
99/305, 295, 308, 309, 323.1, 395, 300;
222/23, 129.1; 62/395; D20/1;
D23/207, 209; D15/89
CPC A47J 31/44; A47J 31/00; B67D 1/0041;
B67D 3/00
See application file for complete search history.

(56) **References Cited**

U.S. PATENT DOCUMENTS

D356,466 S *	3/1995	Classen	D7/309
D523,279 S *	6/2006	Zemp	D7/309
D527,567 S *	9/2006	Nakato et al.	D7/306
D563,143 S *	3/2008	Tonelli	D7/306
D566,453 S *	4/2008	Schwamkrug	D7/309
D577,244 S *	9/2008	Cahen	D7/305
D592,901 S *	5/2009	Speh	D7/309
D595,991 S *	7/2009	Zimmerman	D7/307

D605,454 S *	12/2009	Nicolini	D7/306
D622,534 S *	8/2010	Zimmermann	D7/307
D642,415 S *	8/2011	Novelli	D7/309
D645,289 S *	9/2011	Lenzi	D7/309
D645,695 S *	9/2011	Zoppellari	D7/309
D646,108 S *	10/2011	Zoppellari	D7/309
D652,669 S *	1/2012	Bardazzi et al.	D7/309
D675,054 S *	1/2013	Agostini et al.	D7/309
D690,150 S *	9/2013	Cahen	D7/309
D723,859 S *	3/2015	Andreesen	D7/309
D726,481 S *	4/2015	Cahen	D7/309
D733,481 S *	7/2015	Rousselin	D7/306

* cited by examiner

Primary Examiner — Marianne Pandozzi

(74) *Attorney, Agent, or Firm* — Loeb & Loeb LLP

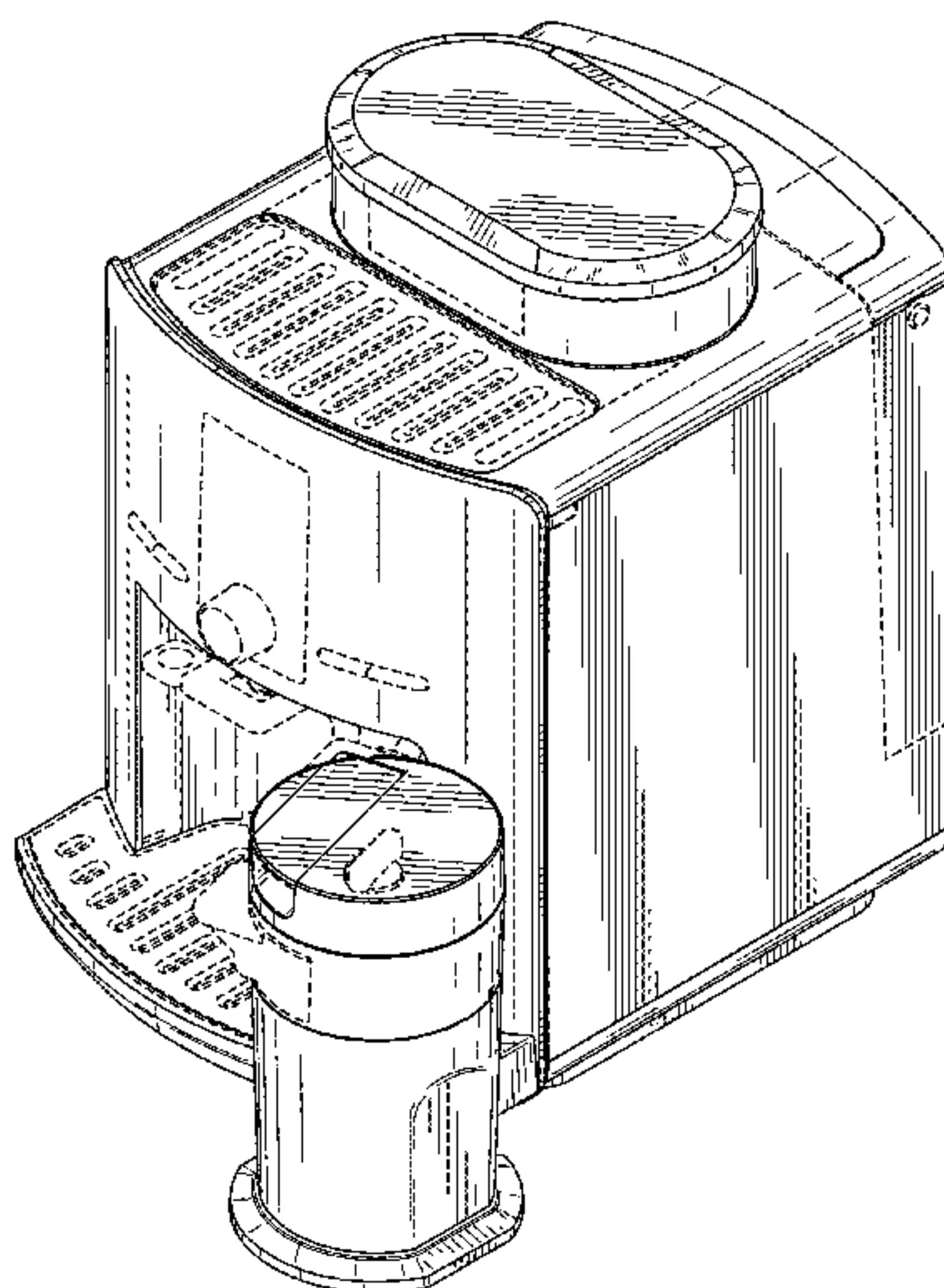
(57) **CLAIM**

The ornamental design for an electric espresso maker, as shown and described.

DESCRIPTION

FIG. 1 is a perspective view of an electric espresso maker showing my new design;
 FIG. 2 is a front elevational view of the electric espresso maker of FIG. 1.
 FIG. 3 is a rear elevational view of the electric espresso maker of FIG. 1.
 FIG. 4 is a right side elevational view of the electric espresso maker of FIG. 1.
 FIG. 5 is a left side elevational view of the electric espresso maker of FIG. 1.
 FIG. 6 is a top plan view of the electric espresso maker of FIG. 1; and,
 FIG. 7 is a bottom plan view of the electric espresso maker of FIG. 1.
 The broken lines appearing in the figures are for the purpose of illustrating the environmental structure of the article of the claimed design and form no part of the claimed design.

1 Claim, 7 Drawing Sheets



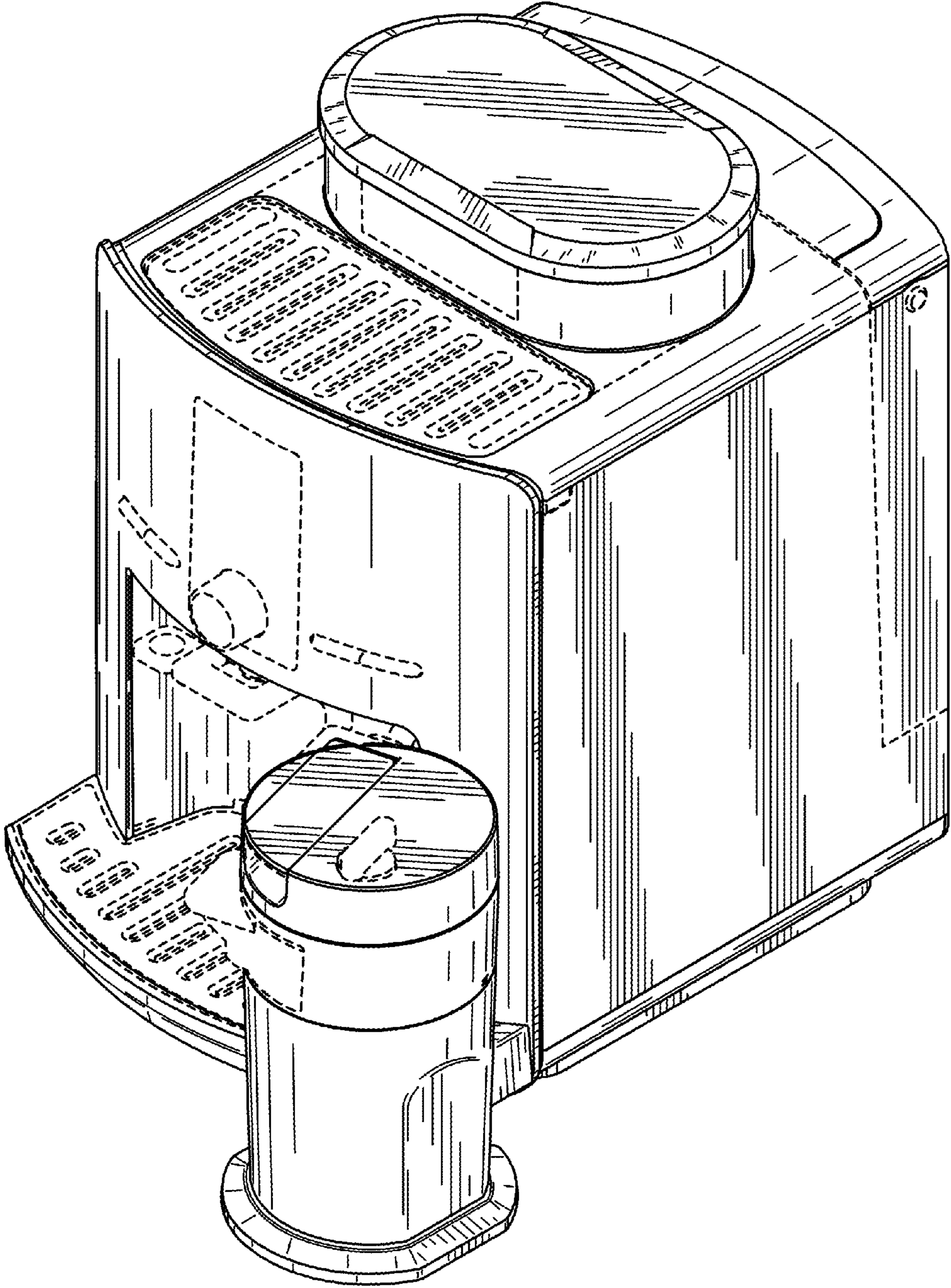


FIG. 1

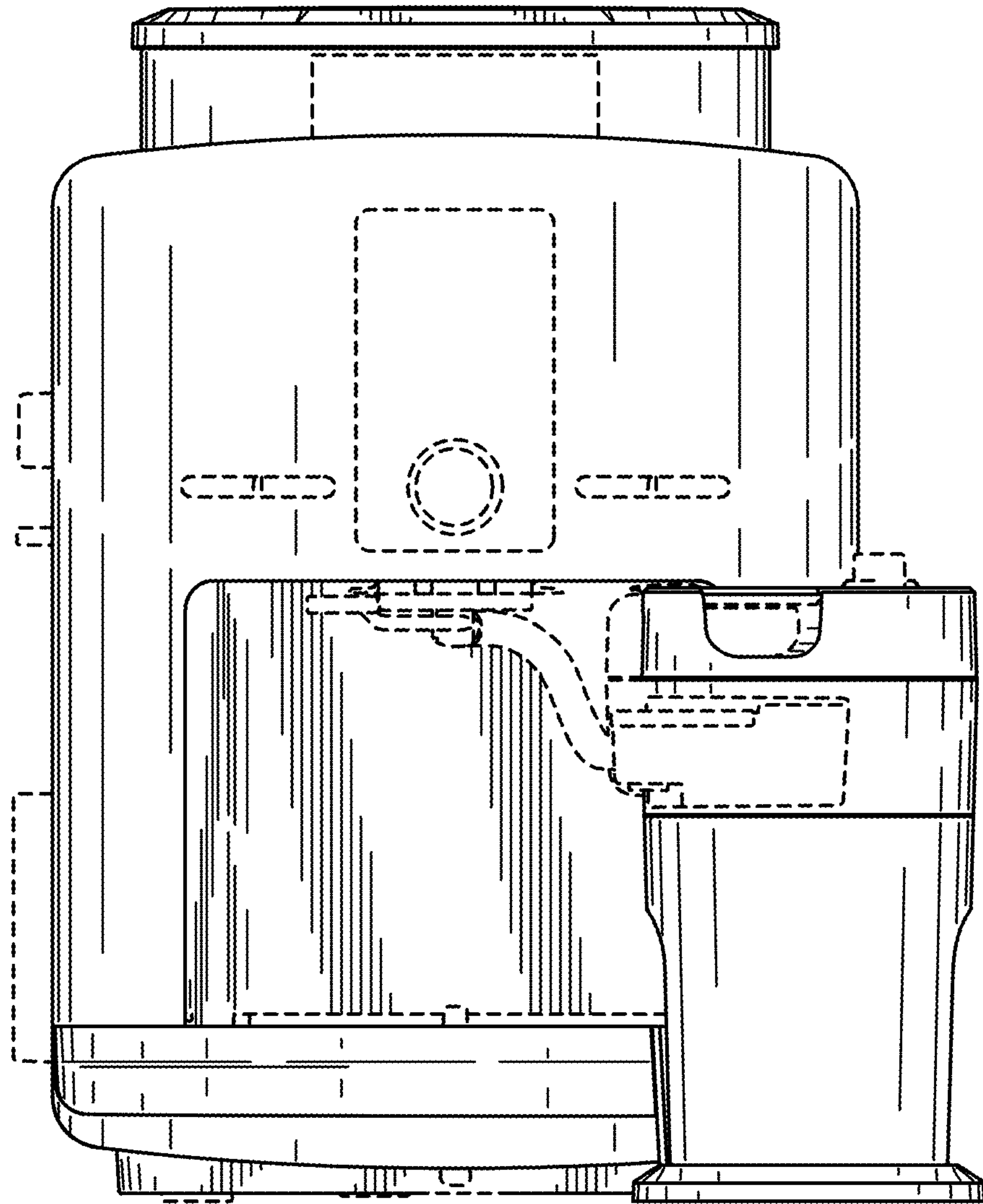


FIG. 2

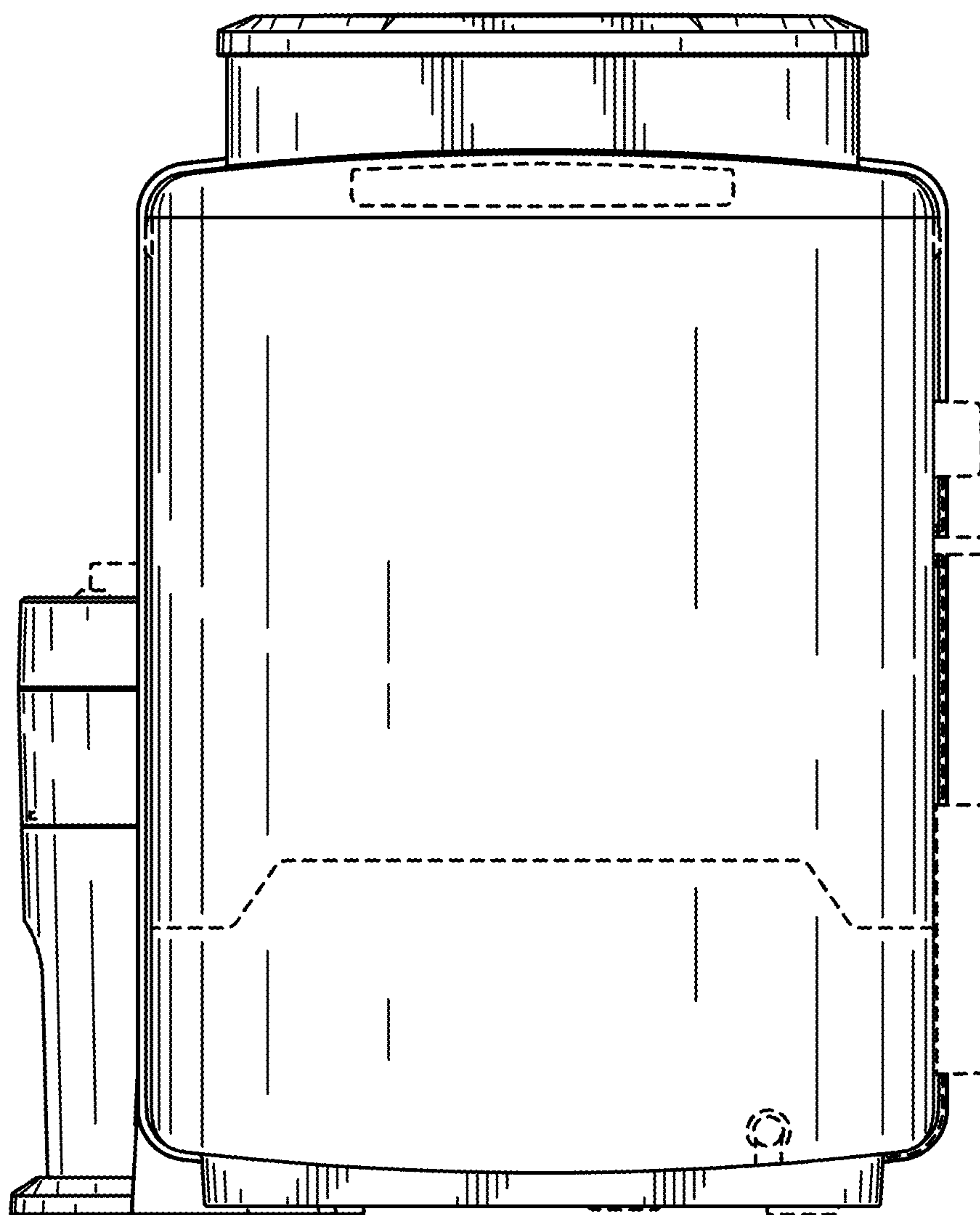


FIG. 3

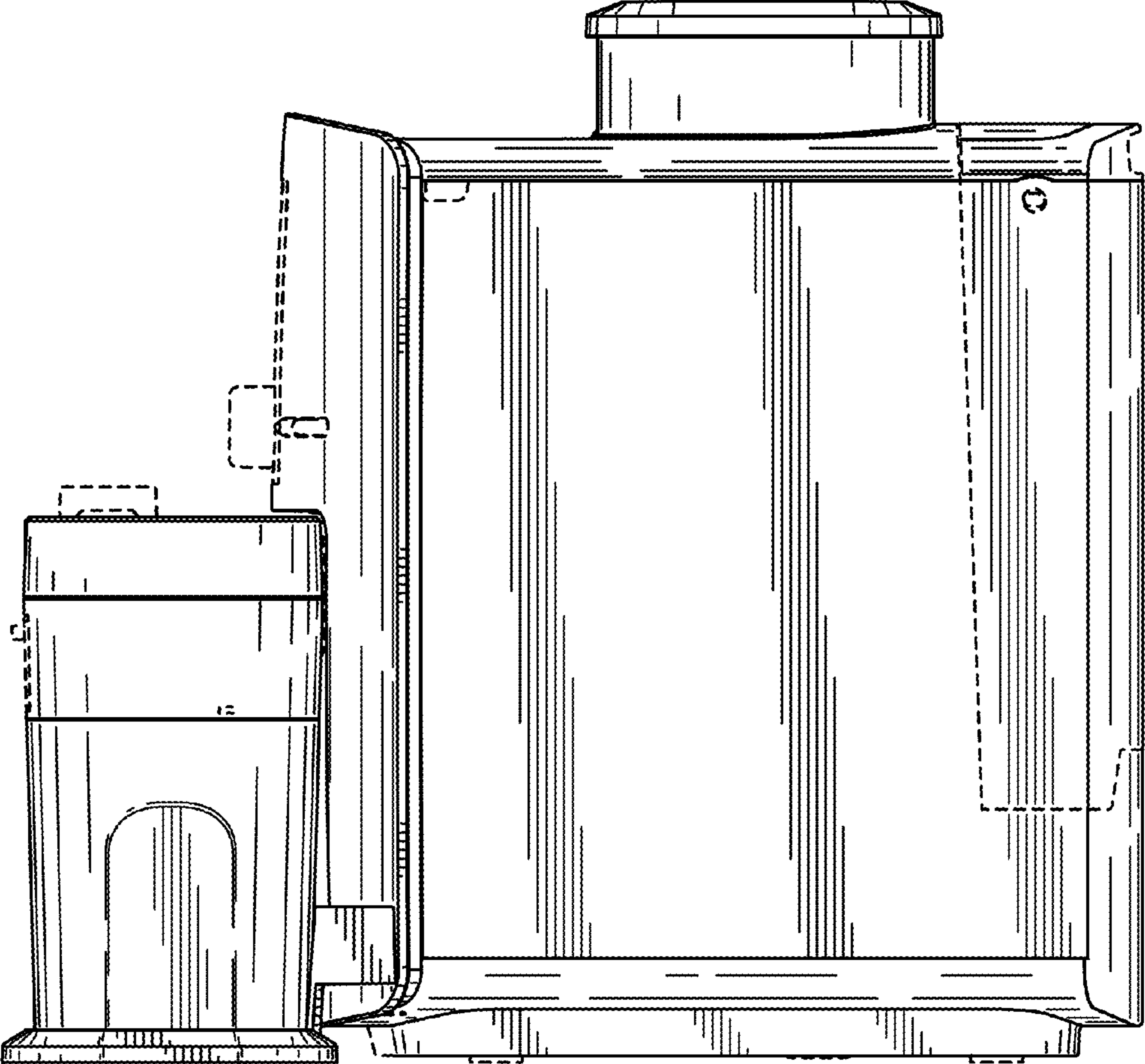


FIG. 4

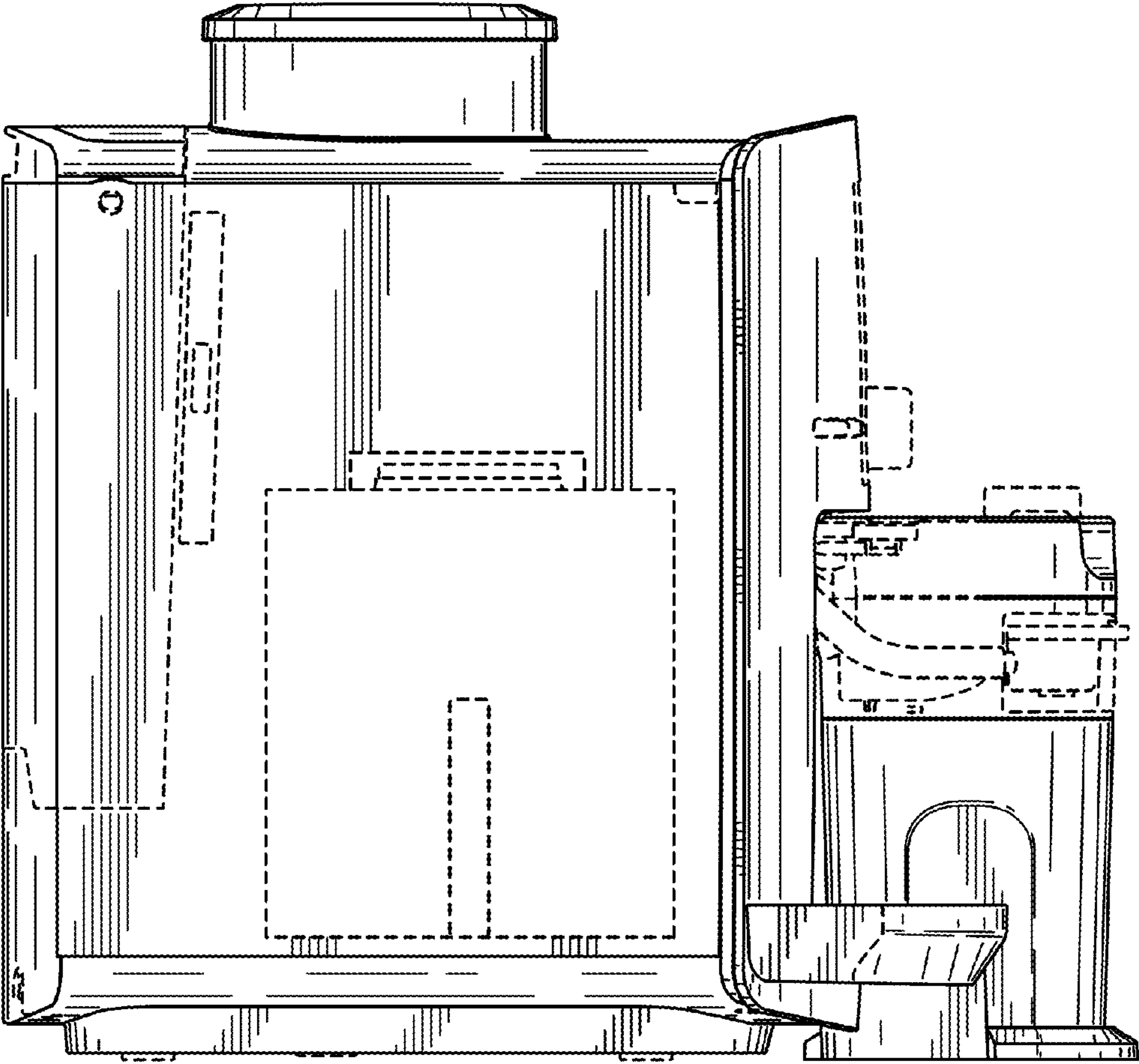


FIG. 5

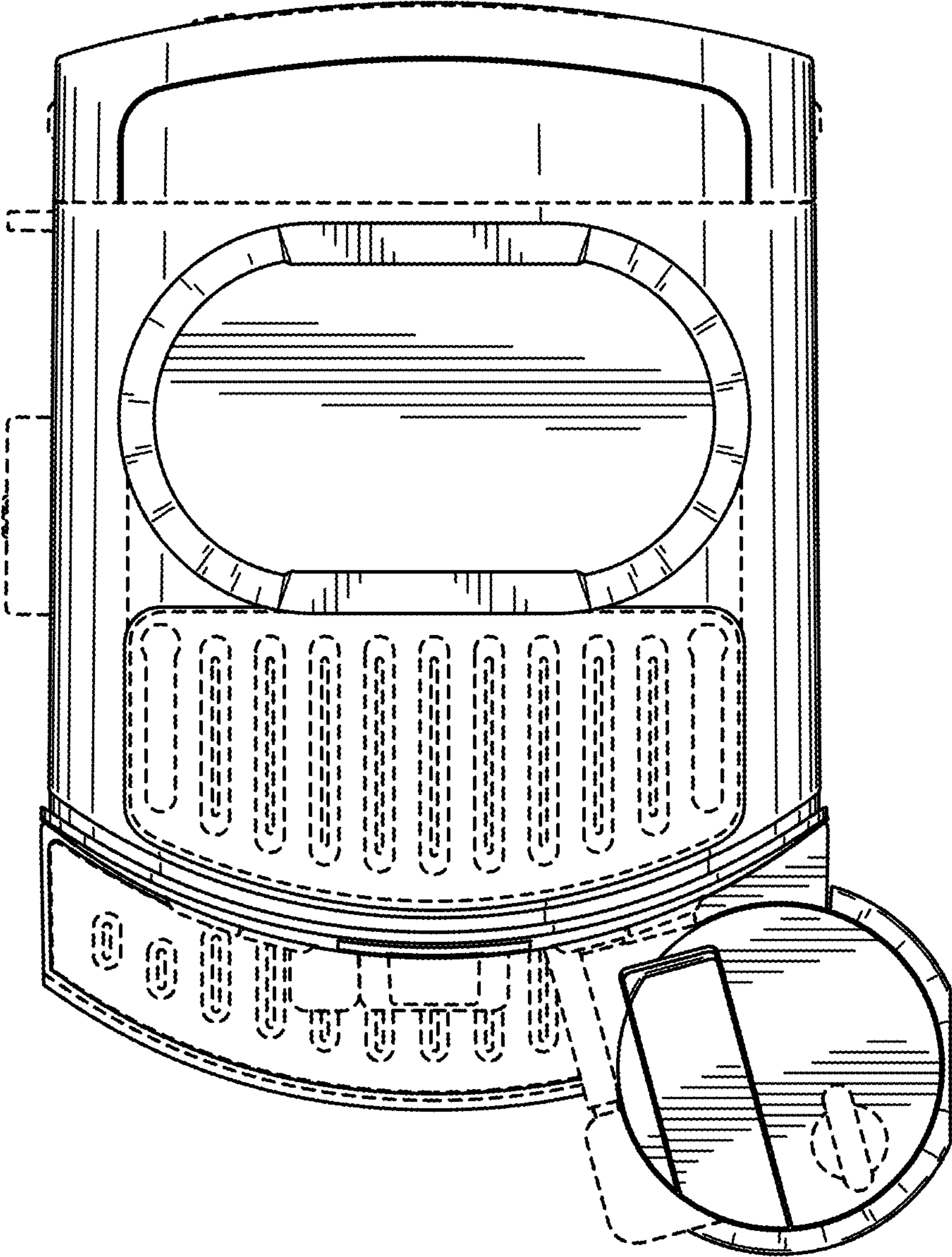


FIG. 6

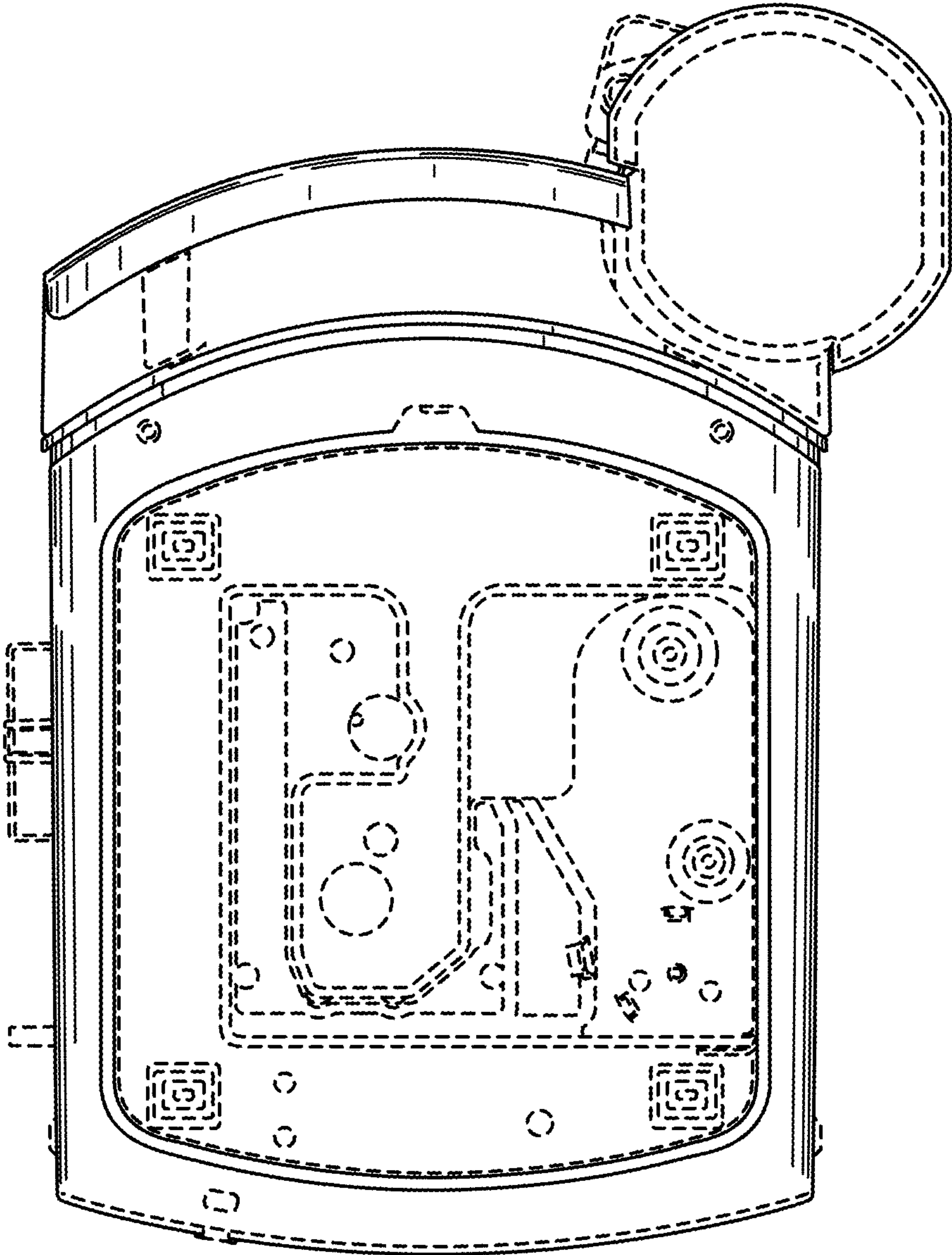


FIG. 7