



US00D746622S

(12) **United States Design Patent**  
**O'Brien et al.**

(10) **Patent No.:** **US D746,622 S**  
(45) **Date of Patent:** **\*\* Jan. 5, 2016**

(54) **ILLUMINATED SEAT**  
(71) Applicant: **Brand 44 Trading, LLC**, Denver, CO (US)  
(72) Inventors: **Ed O'Brien**, Denver, CO (US); **Furman O'Dell**, Evergreen, CO (US); **Jonathan Curts**, Parker, CO (US); **Tom Walker**, Denver, CO (US)

D215,860 S \* 11/1969 Cohn ..... D21/823  
3,720,018 A 3/1973 Peterson et al.  
3,786,246 A 1/1974 Johnson et al.  
3,982,288 A 9/1976 Borne  
4,145,839 A 3/1979 Sampietro  
4,204,357 A 5/1980 Harrington  
D260,109 S \* 8/1981 Ahrens ..... D21/823

(Continued)

(73) Assignee: **Brand 44 Trading, LLC**, Denver, CO (US)

EP 1 739 348 A1 3/2007  
WO 2011/041708 A1 7/2011

FOREIGN PATENT DOCUMENTS

(\*\*) Term: **14 Years**

OTHER PUBLICATIONS

(21) Appl. No.: **29/482,151**

Flying Saucer Lighted Seat. [online] Retrieved Mar. 9, 2015 from URL: <<http://castletoysandgames.com/product/flying-saucer-lighted-seat/>>.\*

(22) Filed: **Feb. 14, 2014**

(Continued)

(51) **LOC (10) Cl.** ..... **06-01**

(52) **U.S. Cl.**  
USPC ..... **D6/716.1**; D21/823

(58) **Field of Classification Search**  
USPC ..... D6/333, 335, 340, 344, 347, 349-355, D6/358, 360, 363-365, 381, 596, 601, 685, D6/687, 688.15, 688.27, 690, 691, 692.3, D6/708.16, 709, 709.2, 709.22, 711, D6/716-716.7, 717; D26/85, 89, 104, 123, D26/124, 142; D21/822-825  
CPC ..... A47C 1/14; A47C 3/16-3/20; A47C 4/00; A47C 4/28; A47C 5/02; A47C 5/04; A47C 5/043; A47C 7/00; A47C 7/006; A47C 7/02; A47C 9/00; A47C 9/02; A47C 9/002; A47C 9/007; A47C 9/025; A47C 9/10; A47C 11/00; A47C 12/00; A47C 13/00; A47C 16/02  
See application file for complete search history.

*Primary Examiner* — Susan Bennett Hattan

*Assistant Examiner* — Vy Koenig

(74) *Attorney, Agent, or Firm* — Westerman, Hattori, Daniels & Adrian, LLP

(57) **CLAIM**

The ornamental design for an illuminated seat, as shown.

**DESCRIPTION**

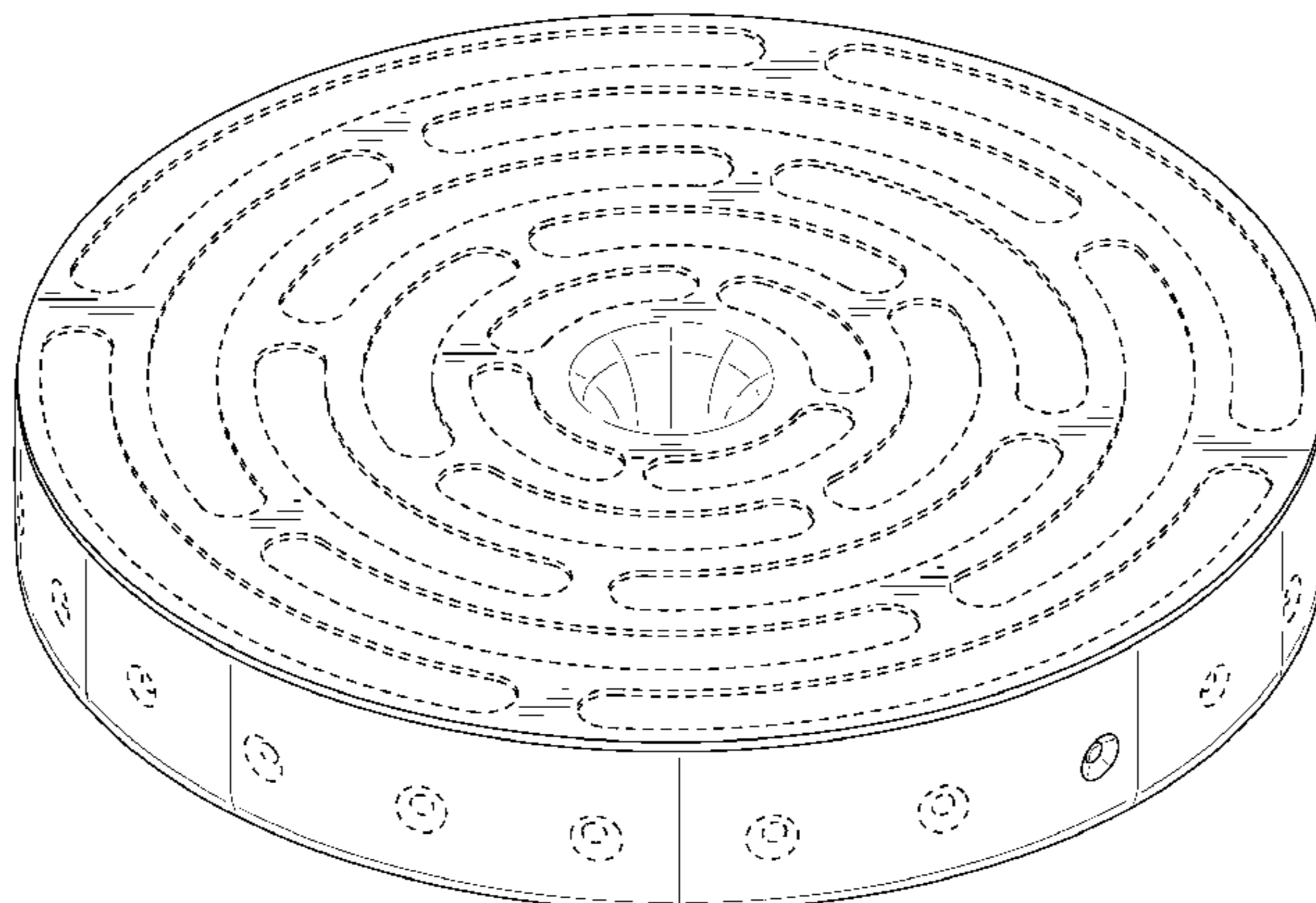
FIG. 1 is a top perspective view of the illuminated seat; FIG. 2 is a bottom perspective view thereof; FIG. 3 is a top view of thereof; FIG. 4 is a bottom view thereof; FIG. 5 is a front side view thereof; FIG. 6 is a back side view thereof; FIG. 7 is a left side view thereof; and, FIG. 8 is a right side view thereof. The broken lines depict portions of the illuminated seat that form no part of the claimed design.

(56) **References Cited**

U.S. PATENT DOCUMENTS

D121,525 S \* 7/1940 Shaw ..... D6/352  
D215,105 S \* 9/1969 Cohn ..... D21/823

**1 Claim, 6 Drawing Sheets**



(56)

References Cited

U.S. PATENT DOCUMENTS

260,786 A 9/1981 Chaklos  
D274,285 S \* 6/1984 Budde ..... D21/825  
5,032,098 A 7/1991 Balogh et al.  
5,290,184 A 3/1994 Balogh et al.  
5,319,531 A 6/1994 Kutnyak  
5,536,195 A 7/1996 Stamos  
386,221 A 11/1997 Ybanez  
D387,121 S \* 12/1997 Davignon, II ..... D21/825  
D450,941 S \* 11/2001 Spitler ..... D6/349  
D461,342 S \* 8/2002 Spitler ..... D6/488  
D464,094 S \* 10/2002 Fond ..... D21/681  
6,547,623 B1 4/2003 Collado  
6,726,521 B2 4/2004 Peterson  
6,783,421 B1 8/2004 Lopez  
6,971,940 B2 12/2005 Cohen et al.  
D562,492 S \* 2/2008 Chen ..... D26/85  
7,347,758 B2 3/2008 Moore  
D595,969 S \* 7/2009 Hanusiak et al. .... D6/349  
D620,191 S \* 7/2010 Feigenbaum ..... D26/142  
D630,368 S \* 1/2011 de Rijck ..... D26/89  
D633,645 S \* 3/2011 Verelst ..... D26/89  
D657,089 S \* 4/2012 Kong ..... D26/89  
D667,985 S \* 9/2012 Gielen ..... D26/89

8,282,498 B2 10/2012 Publicover et al.  
D681,357 S \* 5/2013 Sjostrand et al. .... D6/349  
D690,842 S \* 10/2013 Feigenbaum ..... D26/24  
2004/0141311 A1 7/2004 Chen et al.  
2005/0057928 A1 3/2005 Donnelly  
2006/0217211 A1 9/2006 Cadotte, Jr.

OTHER PUBLICATIONS

“INSA with Rousseau developed the Hanging Chair”, <http://www.2dayblog.com/2008/09/20/insa-with-rousseau-developed-the-hanging-chair/>, Sep. 20, 2008.  
“Red Lighted Chair Patio Furniture”, [http://trinorthlighting.com/Store/index.php?main\\_page=products\\_id=1013&gclid=CMLXm-Xfg7wCFS4aOgodk10AaA&zenid=c34776167aa84bac4b133271c035ab0e](http://trinorthlighting.com/Store/index.php?main_page=products_id=1013&gclid=CMLXm-Xfg7wCFS4aOgodk10AaA&zenid=c34776167aa84bac4b133271c035ab0e), date N/A.  
“How to make your music swing?”, <http://bubblelondon.blogspot.com/2012/09/how-to-make-your-music-swing.html>, Sep. 2009.  
“Flashflight”, <http://flashflight.com/products/flashflight>, date N/A.  
“Nite Ize Flashflight L.E.D. Light Up Flying Disc”, <http://amazon.com/Nite-Ize-Flashflight-L-E-D-Flying/dp/B0001WP232>, date N/A.  
“Extreme Swings”, <http://www.extremeswings.com/>, date N/A.

\* cited by examiner

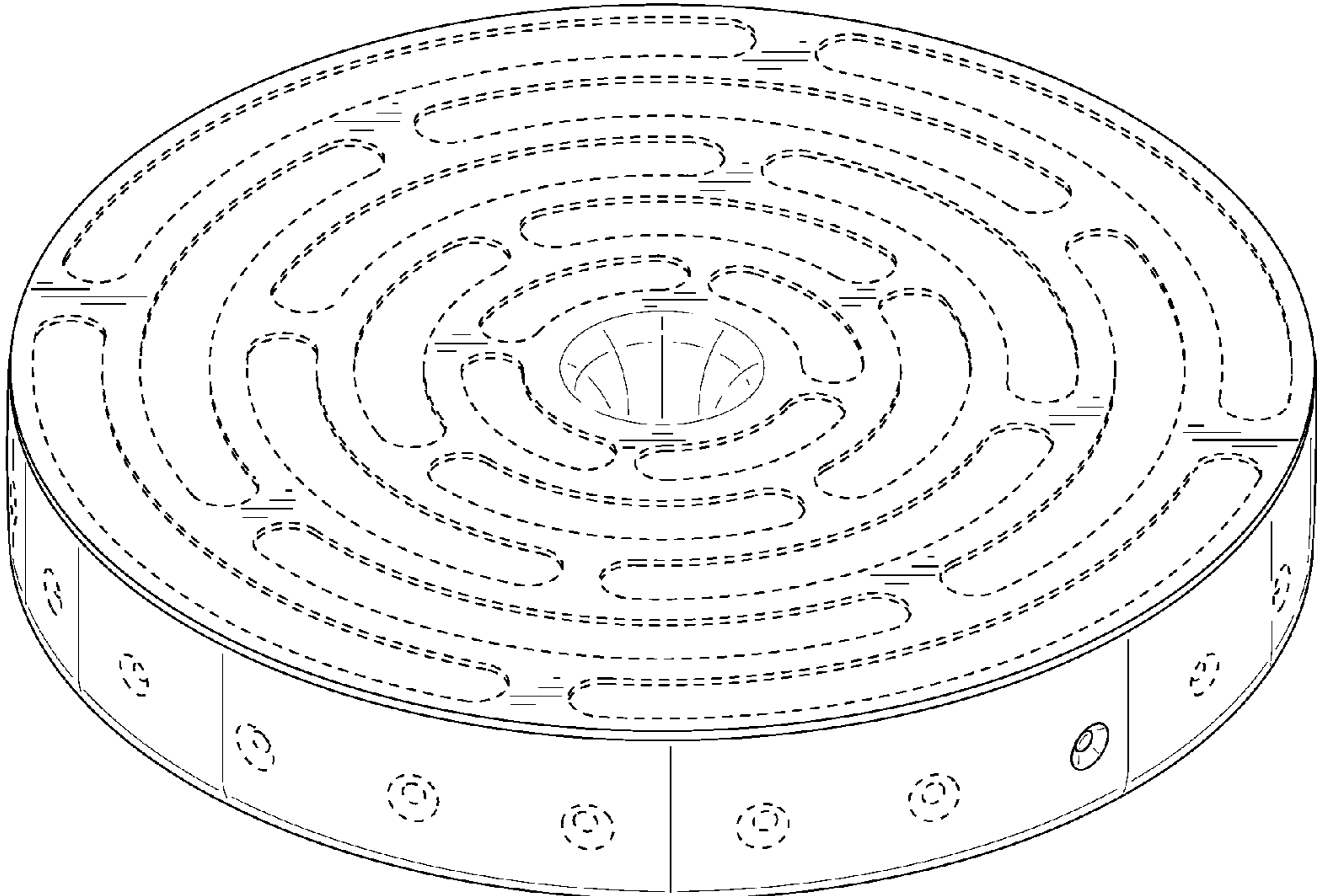


FIG. 1

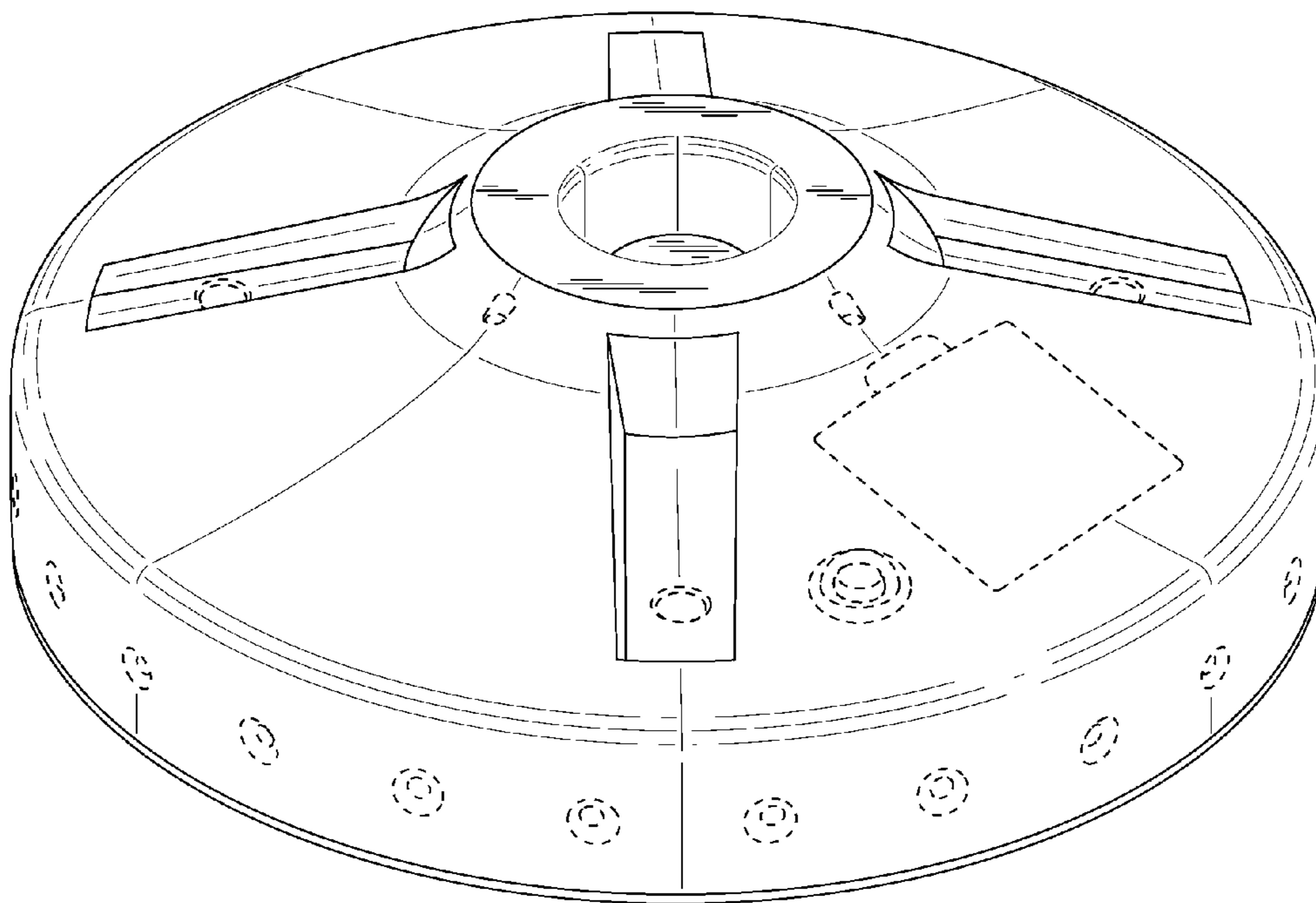


FIG. 2

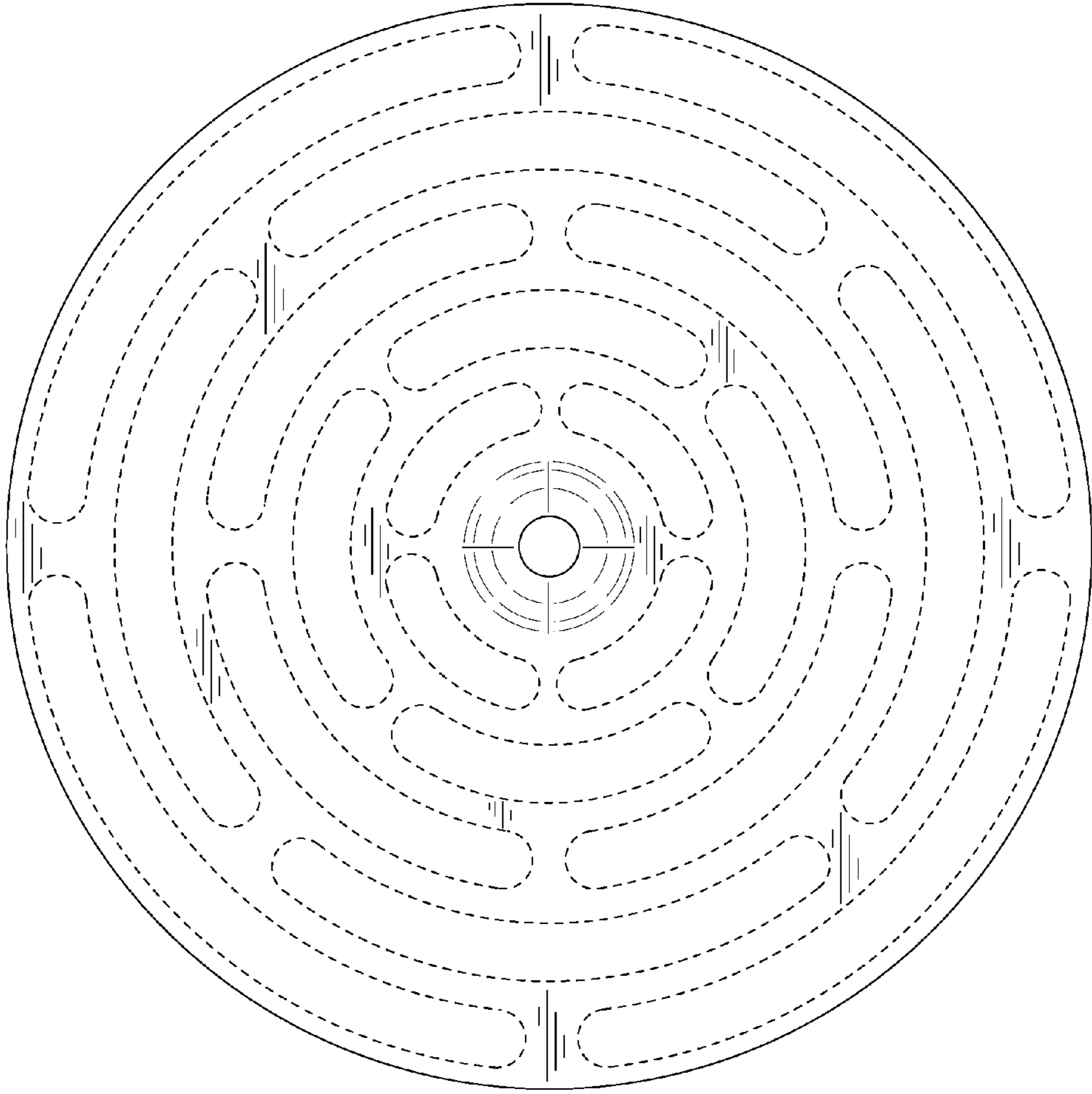


FIG. 3

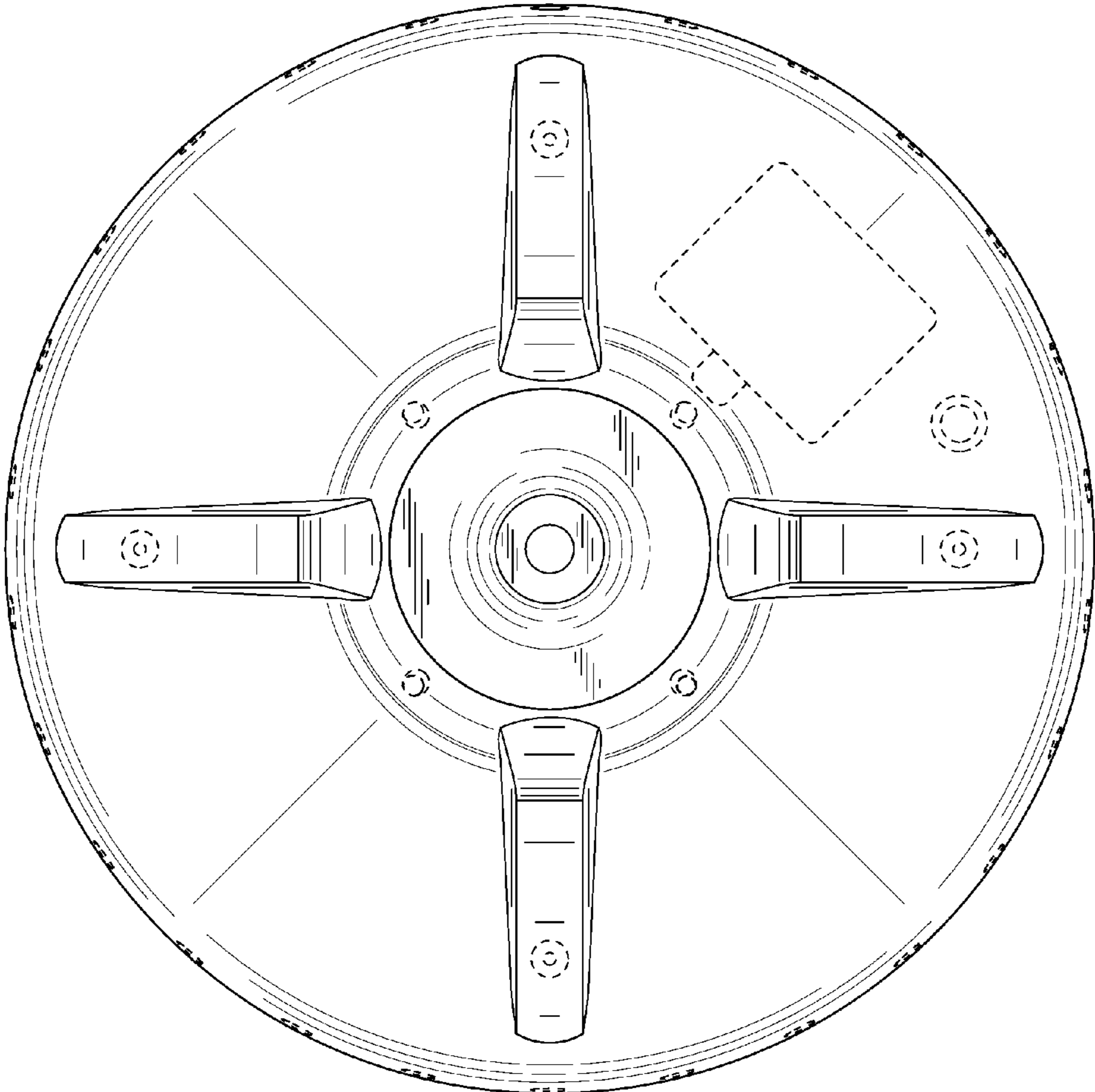


FIG. 4

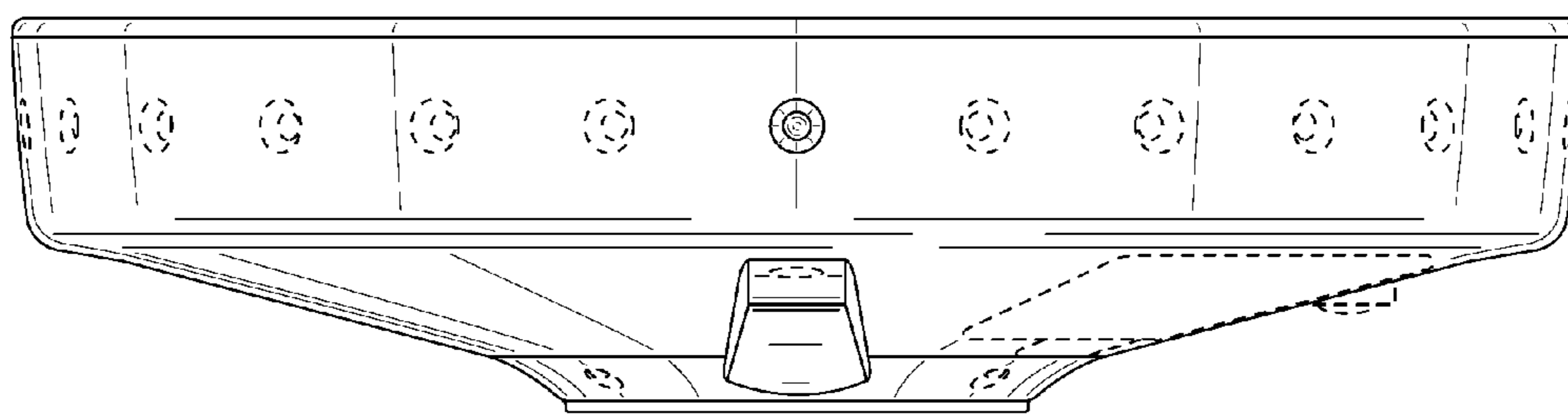


FIG. 5

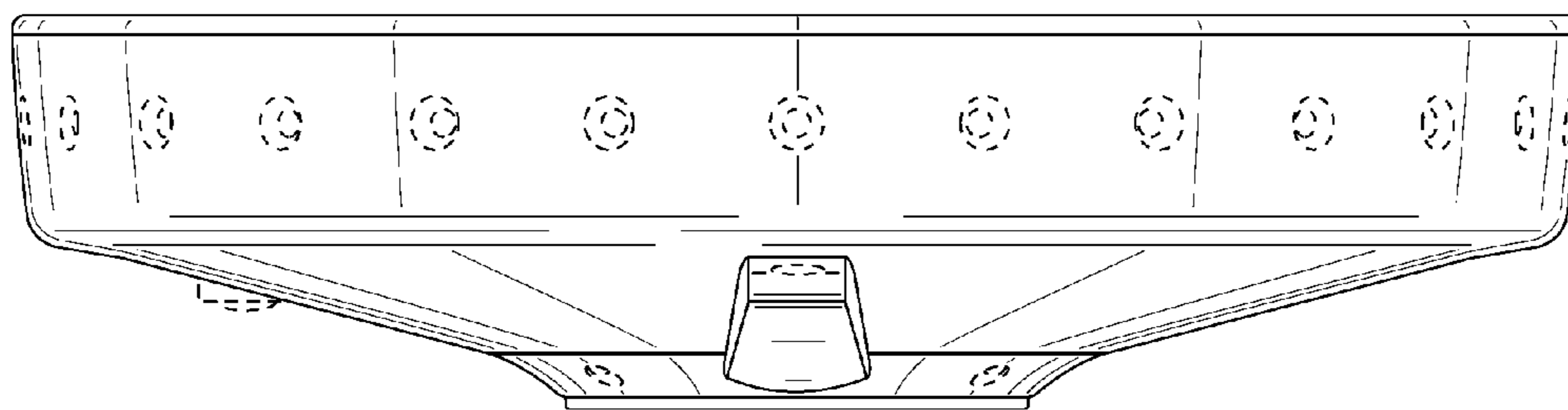


FIG. 6

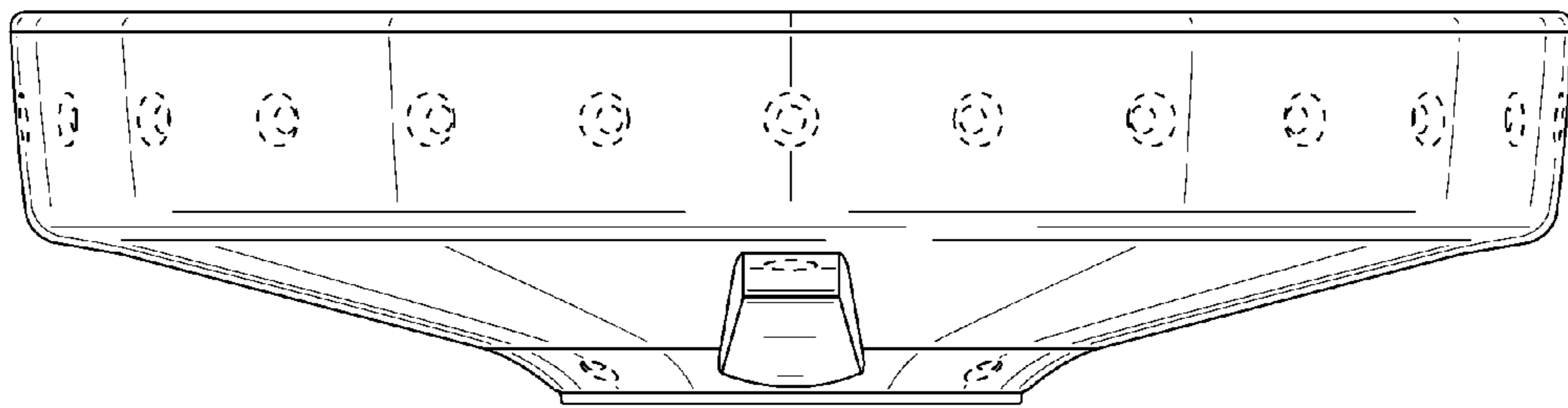


FIG. 7

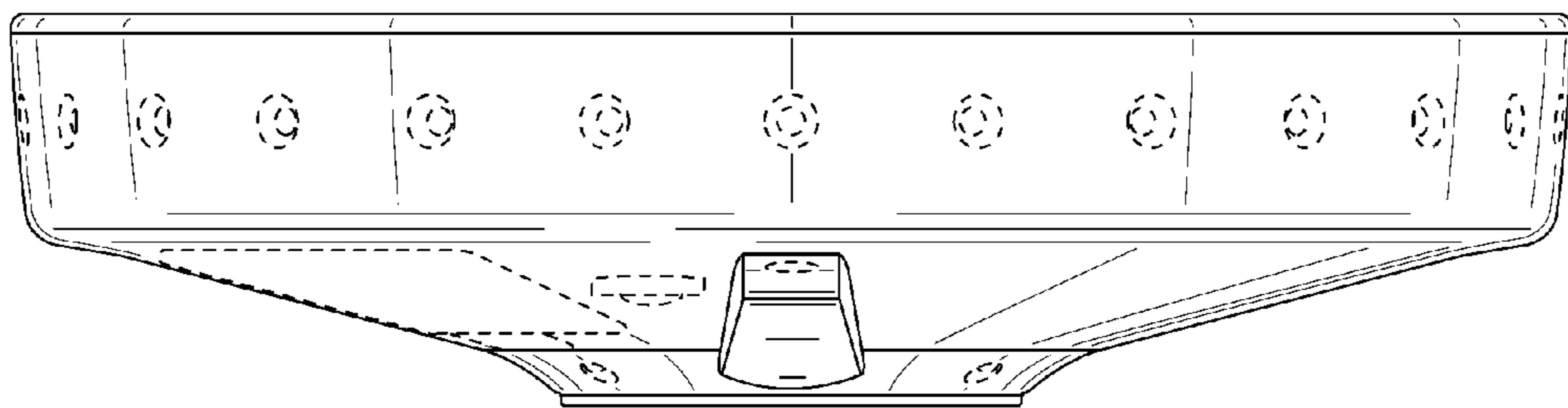


FIG. 8