



US00D746618S

(12) **United States Design Patent**
Clark et al.

(10) **Patent No.:** **US D746,618 S**
(45) **Date of Patent:** **** Jan. 5, 2016**

- (54) **DISPLAY UNIT**
- (71) Applicant: **Target Brands, Inc.**, Minneapolis, MN (US)
- (72) Inventors: **Jeremy A. Clark**, Minneapolis, MN (US); **Timothy J. Martell**, Brooklyn Park, MN (US); **Jason W. Johnson**, Wayzata, MN (US)
- (73) Assignee: **Target Brands, Inc.**, Minneapolis, MN (US)

5,152,407 A *	10/1992	Massoudnia	A47B 87/0207 211/126.15
D357,364 S *	4/1995	Dionne	D6/335
6,877,824 B2	4/2005	Winkless	
D504,578 S *	5/2005	Moser	D6/349
D540,070 S *	4/2007	Bibi	D21/397
D551,876 S *	10/2007	Gusdorf	D6/406.6
D555,919 S *	11/2007	Baade	D6/349
7,296,372 B2	11/2007	Clark et al.	
7,661,214 B2	2/2010	Clark et al.	
7,900,385 B2	3/2011	Clark et al.	
7,922,492 B2	4/2011	Nielsen et al.	
7,988,244 B2	8/2011	Haws, Jr.	
D648,548 S	11/2011	Winer et al.	

(Continued)

(**) Term: **14 Years**

(21) Appl. No.: **29/502,322**

(22) Filed: **Sep. 15, 2014**

(51) **LOC (10) Cl.** **06-06**

(52) **U.S. Cl.**
USPC **D6/675.3**

(58) **Field of Classification Search**
USPC D6/429, 460-461, 464, 468, 474,
D6/477-479, 672, 675, 675.1, 675.3;
108/11, 59, 65, 91-92, 96, 137;
211/42, 85, 87.01, 90.01, 107, 111,
211/119.003, 134, 186, 189, 195
CPC A47F 3/004; A47F 5/0081; A47B 8/007
See application file for complete search history.

(56) **References Cited**

U.S. PATENT DOCUMENTS

D178,839 S *	9/1956	Jacoby	108/29
2,906,412 A *	9/1959	Tanner	A47G 23/06 211/74
3,316,041 A	4/1967	Nelson	
3,563,624 A	2/1971	Stice	
3,941,247 A	3/1976	Cripe	
4,560,257 A	12/1985	Otema	
D300,289 S	3/1989	Walter	
4,903,451 A	2/1990	Gresswell	
D307,718 S	5/1990	Tabler	

OTHER PUBLICATIONS

Office Action from Canadian Patent Application No. 159,861, mailed May 20, 2015 (2 pages).

(Continued)

Primary Examiner — Kelley Donnelly

(74) *Attorney, Agent, or Firm* — Leanne Taveggia Farrell; Westman, Champlin & Koehler, P.A.

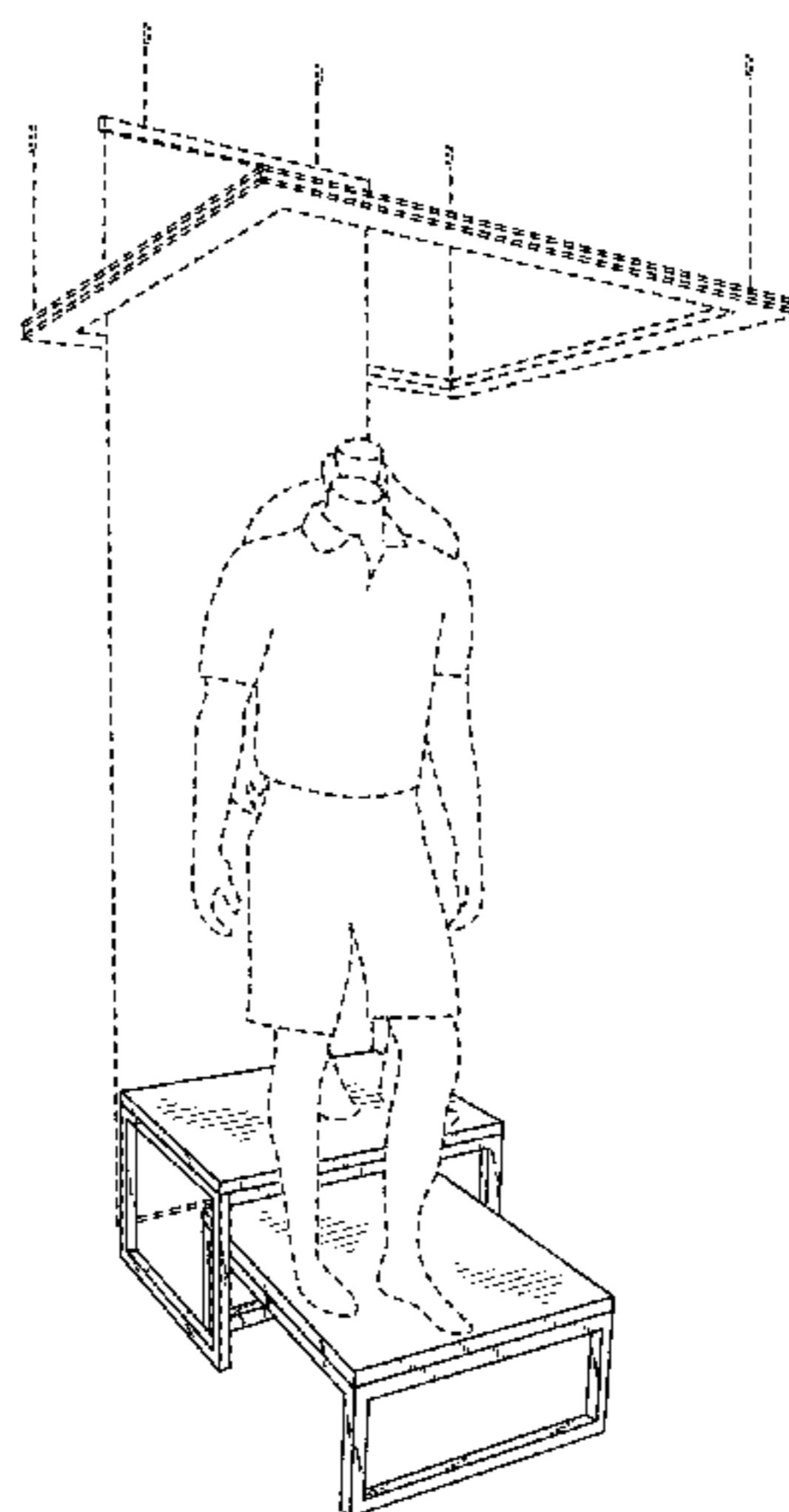
(57) **CLAIM**

The ornamental design for a display unit, as shown and described.

DESCRIPTION

FIG. 1 is a perspective view of a first embodiment of a display unit with environment showing our new design; FIG. 2 is a perspective view thereof without environment; FIG. 3 is a front view thereof; FIG. 4 is a left side view thereof, the right side view being a mirror image; and, FIG. 5 is a top view thereof. The broken lines shown in the drawings are included for purposes of illustrating environment or portions of the display unit and form no part of the claimed design.

1 Claim, 4 Drawing Sheets



(56)

References Cited

U.S. PATENT DOCUMENTS

D652,651 S * 1/2012 Wittenberg D6/403
 8,113,600 B2 2/2012 Zalewski et al.
 D659,415 S * 5/2012 Soto D6/355
 D669,695 S * 10/2012 McCurry D6/349
 D670,111 S 11/2012 McNamara
 D671,334 S 11/2012 Levi et al.
 8,312,610 B2 11/2012 Clark et al.
 D677,076 S 3/2013 Olson
 D686,438 S 7/2013 Denby et al.
 D693,610 S * 11/2013 Denby D6/675
 8,573,716 B2 11/2013 Zalewski
 D696,878 S * 1/2014 Murphy D6/675.1
 D705,556 S * 5/2014 Udagawa D6/349
 D708,672 S 7/2014 Denby et al.
 D716,077 S * 10/2014 Hsu D6/675
 D716,590 S * 11/2014 Hsu D6/675.3
 D724,358 S * 3/2015 Tsai D6/675.3

D728,250 S * 5/2015 Thuma D6/336
 2002/0084726 A1 7/2002 O'Neill et al.
 2007/0007865 A1 1/2007 Kang
 2007/0181515 A1 8/2007 Levi et al.
 2011/0179979 A1 7/2011 Nielsen et al.
 2014/0252047 A1 9/2014 Clark et al.

OTHER PUBLICATIONS

Pending U.S. Appl. No. 14/486,180, filed Sep. 15, 2014, entitled Modular Display Unit, 30 pages.
 Pending U.S. Appl. No. 29/502,317, filed Sep. 15, 2014, entitled Display Unit, 22 pages.
 Pending U.S. Appl. No. 29/502,318, filed Sep. 15, 2014, entitled Display Unit, 20 pages.
 Pending U.S. Appl. No. 29/502,320, filed Sep. 15, 2014, entitled Display Unit, 9 pages.
 Pending U.S. Appl. No. 29/502,321, filed Sep. 15, 2014, entitled Display Unit, 13 pages.

* cited by examiner

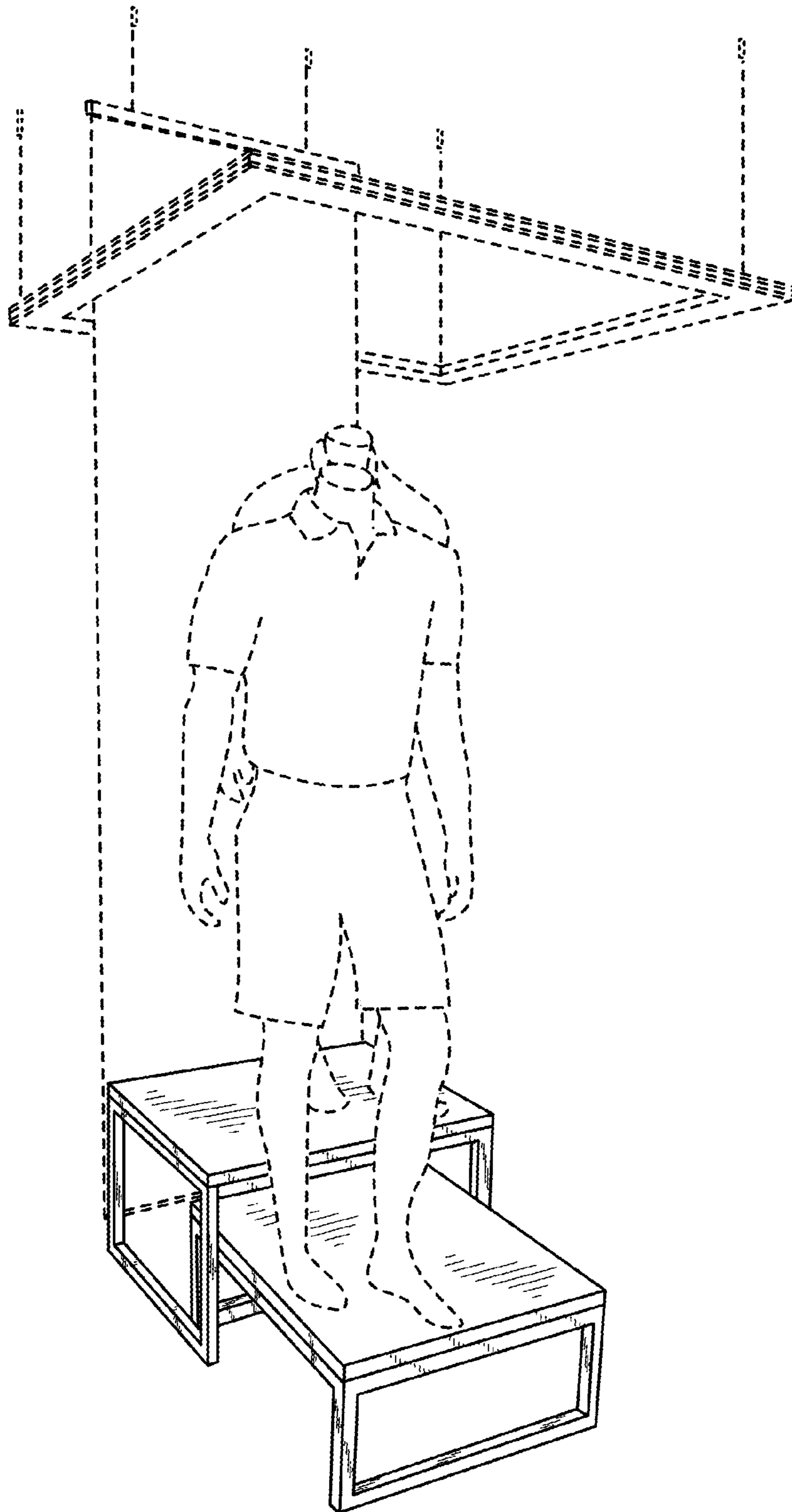


FIG. 1

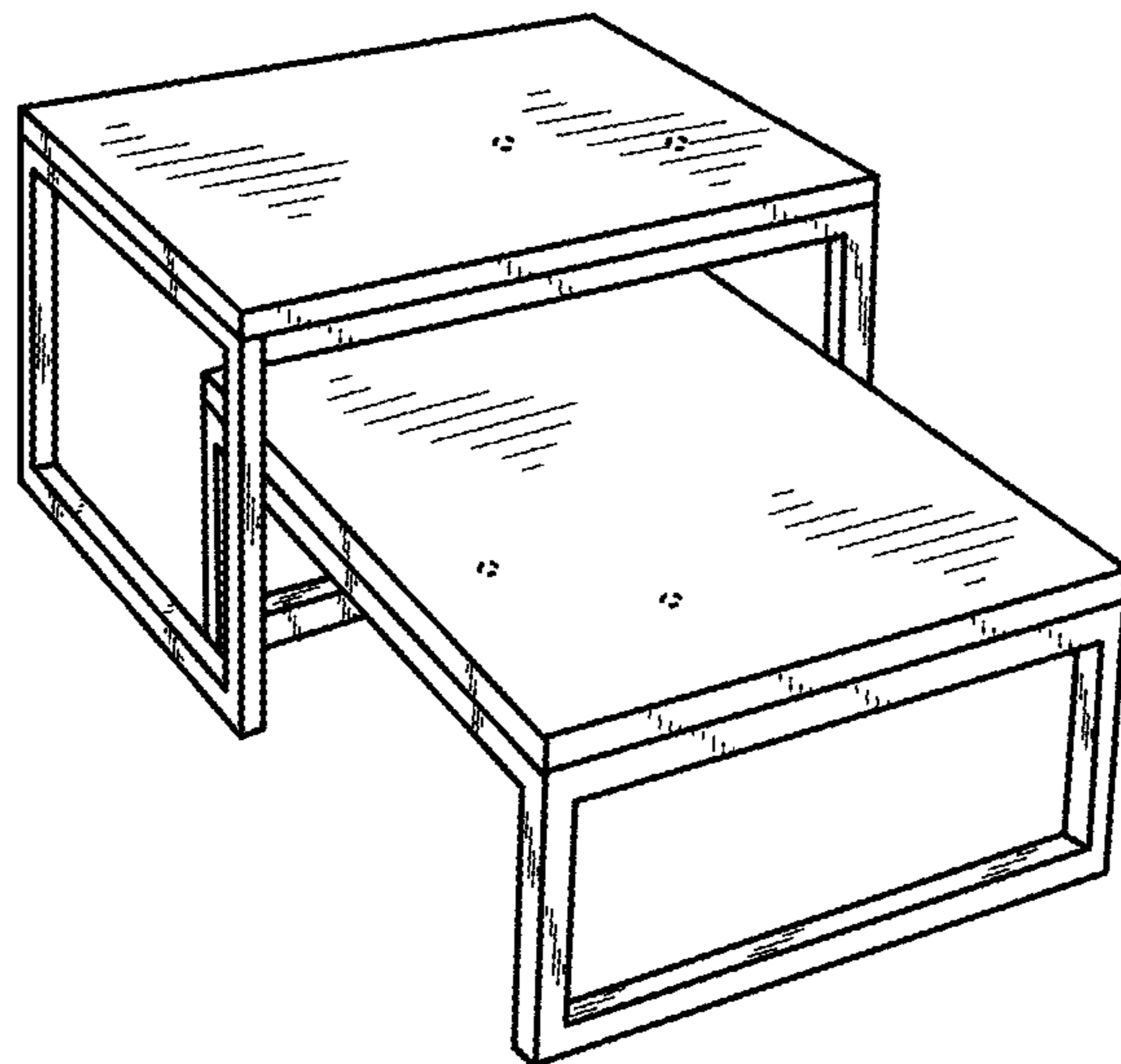


FIG. 2

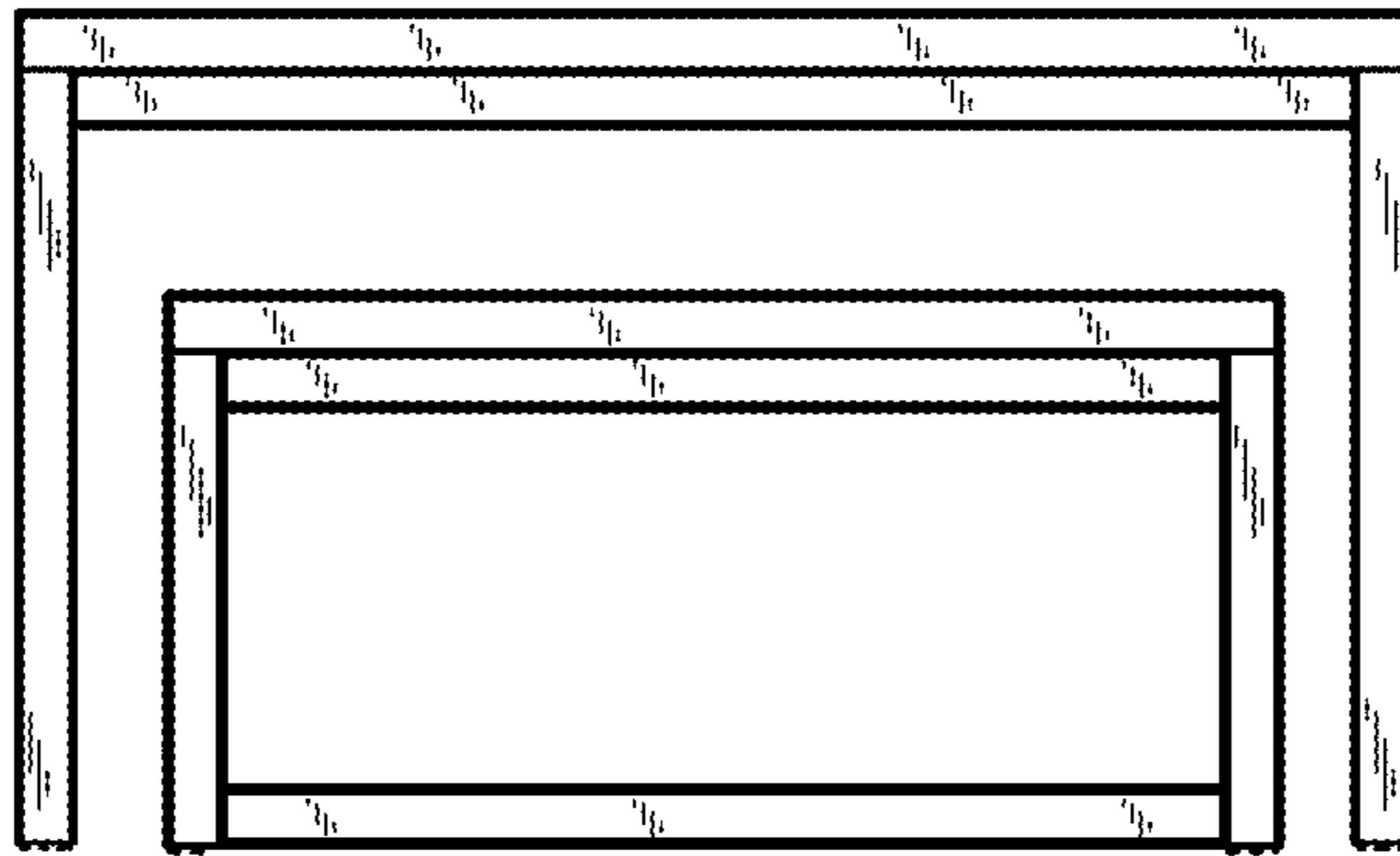


FIG. 3

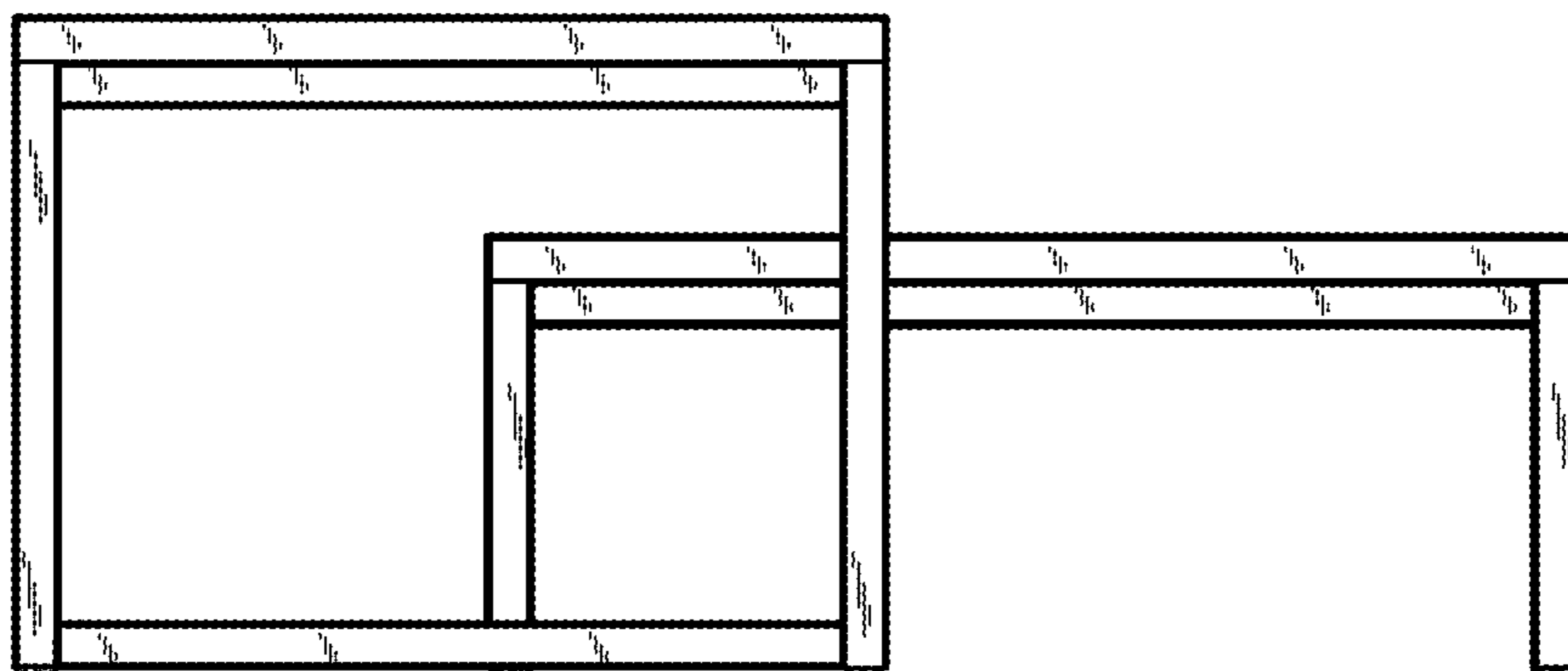


FIG. 4

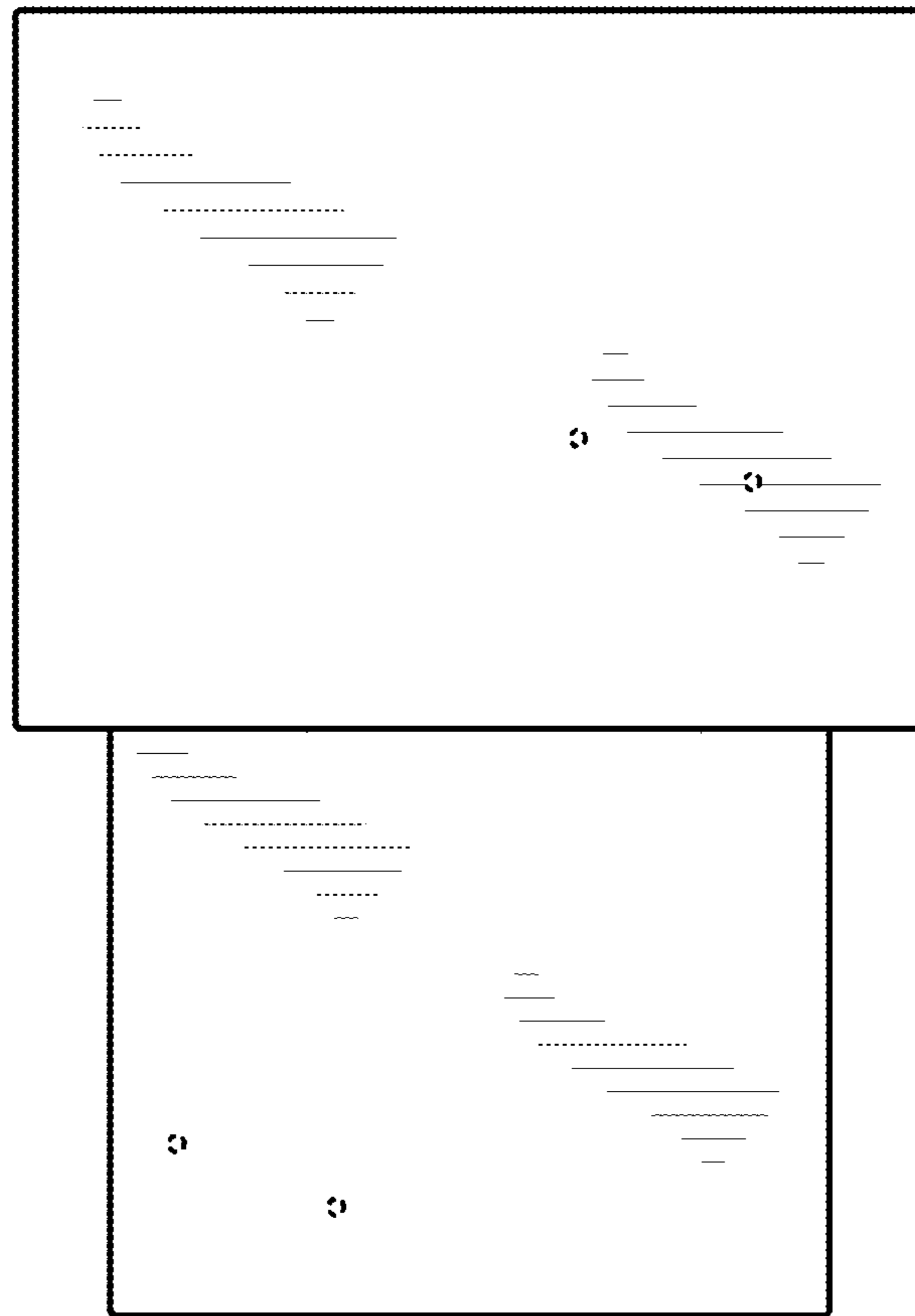


FIG. 5