



US00D746617S

(12) **United States Design Patent**
Wehner et al.

(10) **Patent No.:** **US D746,617 S**
(45) **Date of Patent:** **** *Jan. 5, 2016**

(54) **COLLAPSIBLE SHELVING UNIT**

(56)

References Cited

- (71) Applicant: **WORLDWIDE CREATIONS, LLC**,
Clio, MI (US)
- (72) Inventors: **Scott D. Wehner**, Mt. Morris, MI (US);
Zhou Xiao Jin, Linhai (CN)
- (73) Assignee: **Worldwide Creations, LLC**, Clio, MI
(US)
- (*) Notice: This patent is subject to a terminal dis-
claimer.
- (**) Term: **14 Years**
- (21) Appl. No.: **29/482,066**
- (22) Filed: **Feb. 13, 2014**

U.S. PATENT DOCUMENTS

63,735 A	4/1867	Loomis
RE3,710 E	11/1869	Stone
151,037 A	5/1874	Magee
156,842 A	11/1874	Duggan
218,680 A	8/1879	McCabe
418,827 A	1/1890	St. Marie
539,672 A	5/1895	Decker
610,602 A	9/1898	Doldt
694,172 A	2/1902	Moore
715,038 A	12/1902	Dunham
775,158 A	11/1904	Wenig
792,827 A	6/1905	Holbrook
818,304 A	4/1906	Shaw
867,558 A	10/1907	Carroll
931,702 A	8/1909	Otter
972,590 A	10/1910	Yates
1,018,338 A	2/1912	Pines
1,025,972 A	5/1912	Geisel
1,072,473 A	9/1913	Kindberg
1,095,391 A	5/1914	Fogle
1,106,418 A	8/1914	Sprunger
1,262,021 A	4/1918	Conroy
1,533,470 A	4/1925	Schmitt
1,597,265 A	8/1926	Cashiere
1,652,581 A	12/1927	Roberts
1,708,113 A	4/1929	Allen
1,773,847 A	8/1930	Nickles

(Continued)

Related U.S. Application Data

- (63) Continuation of application No. 29/467,692, filed on
Sep. 23, 2013, now Pat. No. Des. 708,873, which is a
continuation of application No. 13/630,213, filed on
Sep. 28, 2012.
- (51) **LOC (10) Cl.** **06-06**
- (52) **U.S. Cl.**
USPC **D6/675.2**
- (58) **Field of Classification Search**
USPC D6/396-397, 407, 429, 449, 455-457,
D6/460-463, 465, 468, 474, 478-479, 509,
D6/514, 675, 675.1, 675.2; 211/13.1, 41.1,
211/71.01, 85.3, 85.4, 59.2, 126.12, 126.1,
211/133.1
CPC A47F 5/0018; A47F 5/0031
See application file for complete search history.

Primary Examiner — Kelley Donnelly

(74) *Attorney, Agent, or Firm* — Young Basile Hanlon &
MacFarlane P.C.

(57)

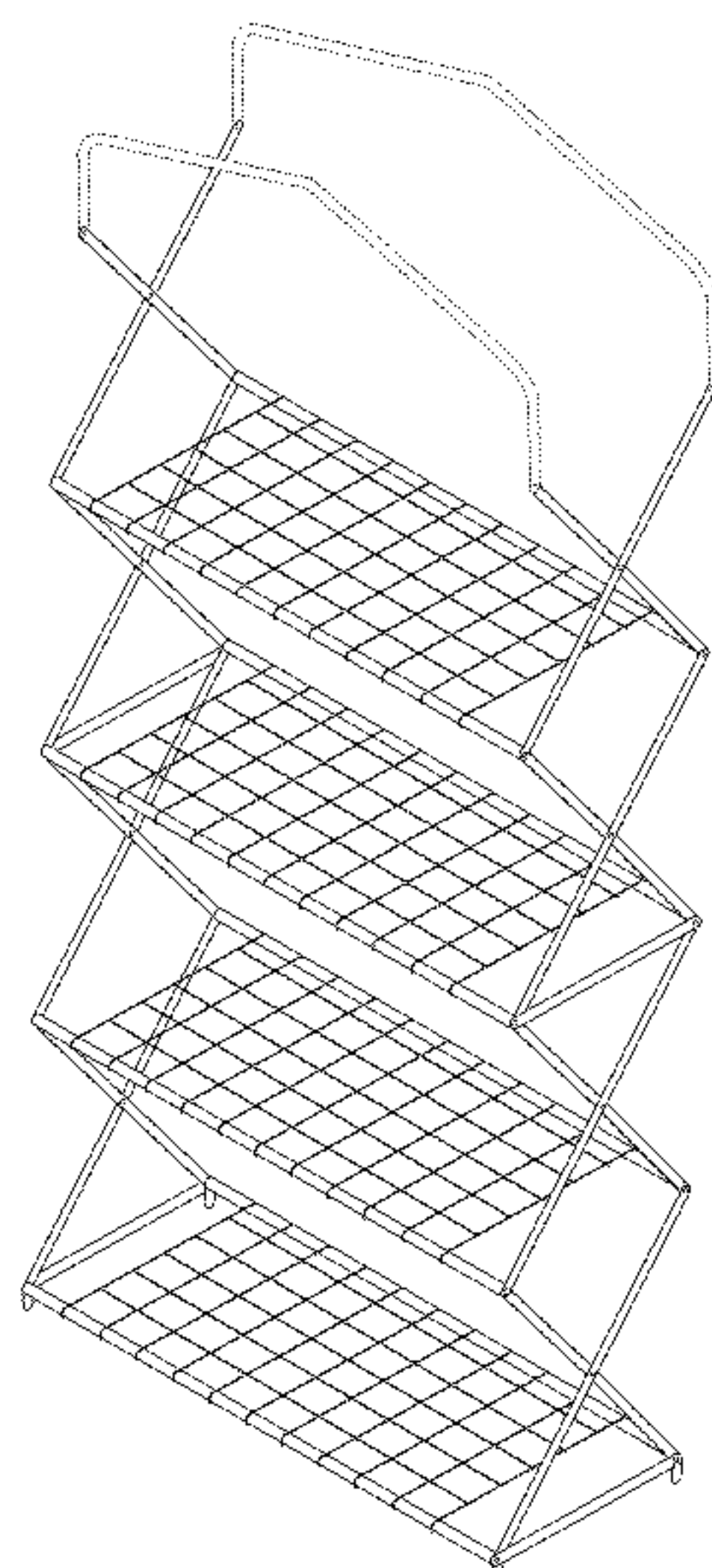
CLAIM

The ornamental design for a collapsible shelving unit, as
shown and described.

DESCRIPTION

FIG. 1 is a front perspective view of a collapsible shelving
unit showing my new design; and,
FIG. 2 is a side view thereof.
The features shown in broken lines form no part of the design
to be patented.

1 Claim, 2 Drawing Sheets



(56)

References Cited

U.S. PATENT DOCUMENTS

1,912,425	A	6/1933	Baumer	6,283,314	B1 *	9/2001	Loguercio	211/200
2,199,127	A	4/1940	Clearmond	D452,153	S	12/2001	Dardashti	
2,293,625	A	8/1942	Patch	6,427,858	B2	8/2002	Sabounjian	
2,402,579	A	6/1946	Ross	6,561,107	B1	5/2003	Wood et al.	
2,445,403	A	7/1948	Mayerman	D482,576	S *	11/2003	Baylis	D7/605
2,523,682	A	9/1950	Corwin	6,799,594	B2	10/2004	Kuo	
2,594,065	A	4/1952	O'Neill	D499,278	S	12/2004	Dardashti	
2,645,541	A	7/1953	Mintz et al.	6,829,869	B1	12/2004	Savoie	
2,781,766	A	2/1957	Krieger	6,840,182	B2	1/2005	Price	
3,007,539	A	11/1961	Brewer et al.	D501,738	S	2/2005	Clucas	
3,292,561	A	12/1966	Hoodis	7,020,993	B2	4/2006	Pritchard	
3,375,624	A	4/1968	Mikulin	7,063,035	B2	6/2006	Belcher	
3,435,570	A	4/1969	Berry	D537,275	S	2/2007	Chang	
3,509,891	A	5/1970	DeBolt	D537,276	S	2/2007	Kelman	
3,700,070	A	10/1972	King	D550,983	S *	9/2007	Van Es	D6/675.3
3,746,151	A	7/1973	Brophy et al.	D564,165	S *	3/2008	King et al.	D32/58
3,796,282	A	3/1974	Denier et al.	D570,438	S	6/2008	Adams	
4,070,807	A	1/1978	Smith, Jr.	D570,439	S	6/2008	Adams	
4,088,203	A	5/1978	Smith, Jr.	D575,962	S *	9/2008	Senko et al.	D6/381
4,130,178	A	12/1978	Smith, Jr.	D597,342	S	8/2009	Dickson	
4,131,205	A	12/1978	Malecki	D597,351	S	8/2009	Konrad et al.	
4,138,952	A	2/1979	Hodson	D613,975	S	4/2010	Davis	
4,297,795	A *	11/1981	Licari	D626,356	S	11/2010	Ho	
D266,218	S *	9/1982	Hodson	D630,266	S	1/2011	Frank et al.	
D276,466	S	11/1984	Giovagnoli	D640,798	S	6/2011	Rassat	
4,635,729	A	1/1987	Harmathy	D650,542	S	12/2011	Kontorovich et al.	
4,828,123	A	5/1989	Basore	8,286,810	B2 *	10/2012	Sabounjian	211/200
D304,981	S	12/1989	Raskas	8,371,088	B2	2/2013	Merrifield	
4,970,841	A	11/1990	Zeigler	D683,983	S	6/2013	Troyner et al.	
4,974,525	A	12/1990	Sheffield	D693,158	S	11/2013	Jung et al.	
D318,767	S	8/1991	Schneider et al.	D693,608	S	11/2013	Cheng	
D322,698	S *	12/1991	Cassel	8,590,716	B2	11/2013	Behjat	
D327,189	S	6/1992	McPherson et al.	D696,050	S *	12/2013	Esparza	D6/675.2
5,123,550	A	6/1992	Nødskov et al.	8,602,229	B2 *	12/2013	Raghunathan et al.	211/119.01
5,143,214	A	9/1992	Freeland et al.	8,616,328	B2	12/2013	Daraio et al.	
5,145,029	A	9/1992	Blasdell et al.	8,651,295	B2	2/2014	Lim	
5,146,635	A	9/1992	Gastle et al.	D720,908	S *	1/2015	Ouyang	D32/58
5,163,262	A	11/1992	Adams	2001/0001199	A1	5/2001	Sabounjian	
5,351,843	A	10/1994	Wichman et al.	2004/0074858	A1	4/2004	Thuma et al.	
5,622,415	A	4/1997	Felsenthal et al.	2005/0211652	A1	9/2005	Li	
5,660,002	A	8/1997	Lashinger	2006/0055289	A1	3/2006	Wu	
5,671,766	A	9/1997	Williams	2007/0138119	A1	6/2007	Schwerdlin	
				2007/0221598	A1	9/2007	Sabounjian	
				2012/0204770	A1	8/2012	Grace	

* cited by examiner

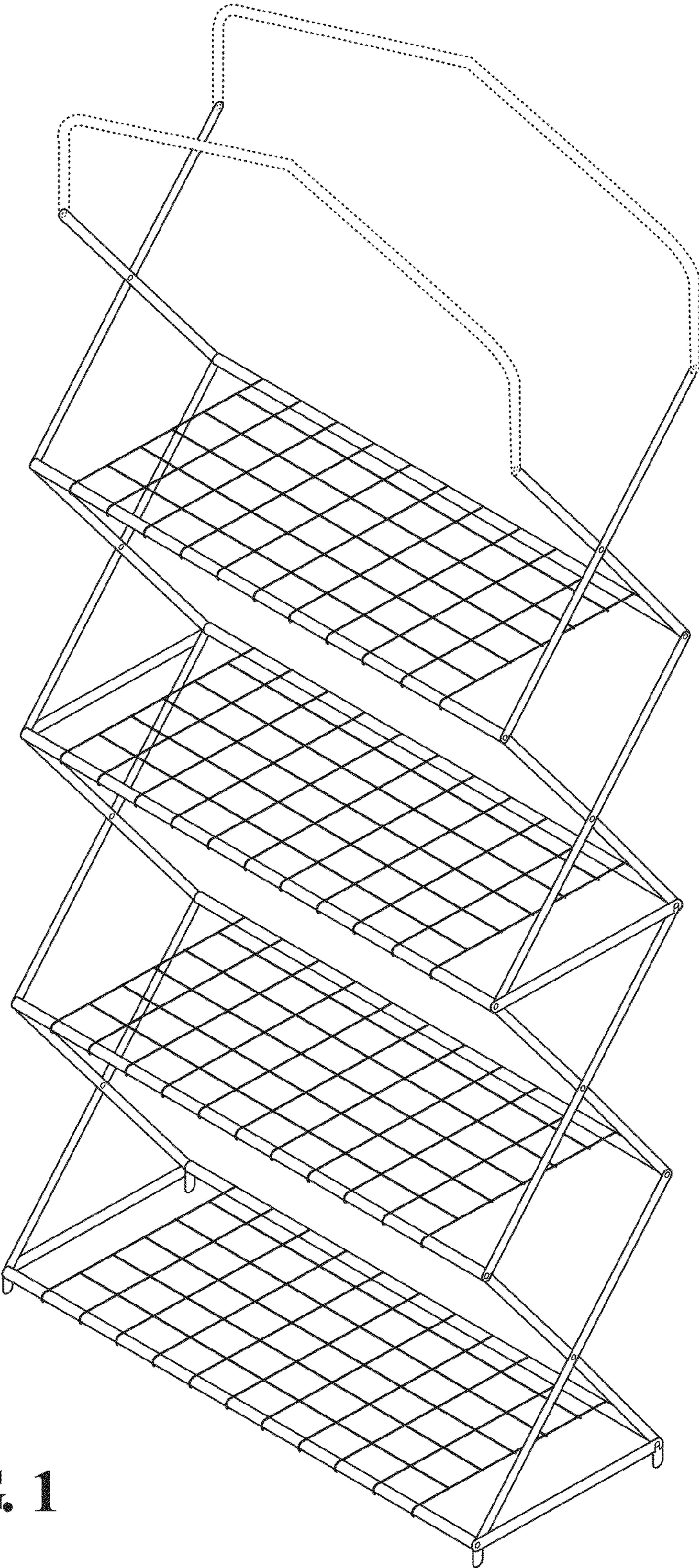


FIG. 1

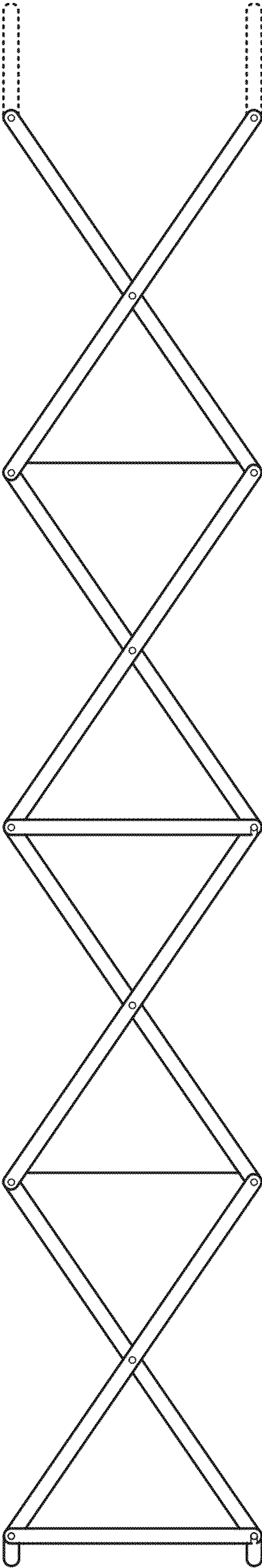


FIG. 2