



US00D746616S

(12) **United States Design Patent**  
**Akana et al.**

(10) **Patent No.:** **US D746,616 S**  
(45) **Date of Patent:** **\*\* Jan. 5, 2016**

(54) **DISPLAY UNIT**

(71) Applicant: **Apple Inc.**, Cupertino, CA (US)  
(72) Inventors: **Jody Akana**, San Francisco, CA (US);  
**Bartley K. Andre**, Palo Alto, CA (US);  
**Shota Aoyagi**, San Francisco, CA (US);  
**Jeremy Bataillou**, San Francisco, CA  
(US); **Daniel J. Coster**, San Francisco,  
CA (US); **Daniele De Iuliis**, San  
Francisco, CA (US); **M. Evans Hankey**,  
San Francisco, CA (US); **Julian Hoenig**,  
San Francisco, CA (US); **Richard P.**  
**Howarth**, San Francisco, CA (US);  
**Jonathan P. Ive**, San Francisco, CA  
(US); **Duncan Robert Kerr**, San  
Francisco, CA (US); **Matthew Dean**  
**Rohrbach**, San Francisco, CA (US);  
**Peter Russell-Clarke**, San Francisco,  
CA (US); **Mikael Silvanto**, San  
Francisco, CA (US); **Christopher J.**  
**Stringer**, Woodside, CA (US); **Eugene**  
**Antony Whang**, San Francisco, CA  
(US); **Rico Zörkendörfer**, San  
Francisco, CA (US)

(73) Assignee: **Apple Inc.**, Cupertino, CA (US)

(\*\*) Term: **14 Years**

(21) Appl. No.: **29/466,607**

(22) Filed: **Sep. 10, 2013**

(51) **LOC (10) Cl.** ..... **06-06**

(52) **U.S. Cl.**  
USPC ..... **D6/675**

(58) **Field of Classification Search**  
USPC ..... D6/672, 673, 675; D21/329, 515, 577,  
D21/622, 450, 452; D14/125-134, 239,  
D14/371, 374-377, 448-450  
CPC ..... G06F 1/1601; H05K 5/0017  
See application file for complete search history.

(56) **References Cited**

U.S. PATENT DOCUMENTS

2,364,870 A	12/1944	Otto	
D303,962 S *	10/1989	Asou .....	D14/128
5,018,291 A	5/1991	Pasquale et al.	
D326,620 S *	6/1992	Anderberg .....	D10/109.1
D346,829 S	5/1994	Keefe	
5,618,141 A	4/1997	Field	
D392,474 S	3/1998	Frasketi	
D476,818 S	7/2003	Stravitz	

(Continued)

*Primary Examiner* — Kelley Donnelly

(74) *Attorney, Agent, or Firm* — Sterne, Kessler, Goldstein & Fox P.L.L.C.

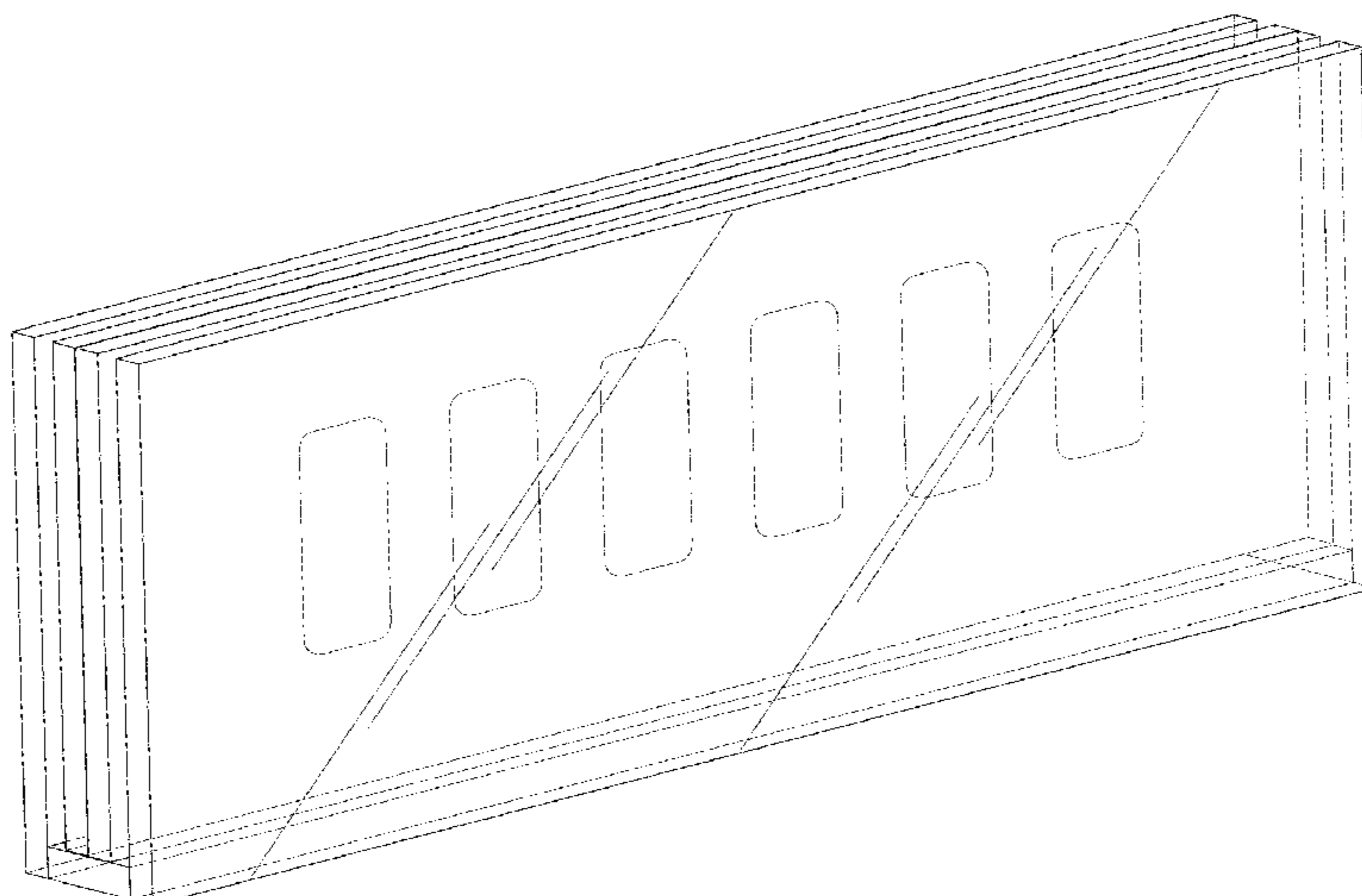
(57) **CLAIM**

The ornamental design for a display unit, as shown and described.

**DESCRIPTION**

FIG. 1 is a front perspective view of a display unit showing our new design;  
FIG. 2 is a front view thereof;  
FIG. 3 is a rear view thereof;  
FIG. 4 is a top view thereof;  
FIG. 5 is a bottom view thereof;  
FIG. 6 is a left view thereof;  
FIG. 7 is a right view thereof;  
FIG. 8 is a front perspective view of a display unit showing another embodiment of our new design;  
FIG. 9 is a front view thereof;  
FIG. 10 is a rear view thereof;  
FIG. 11 is a top view thereof;  
FIG. 12 is a bottom view thereof;  
FIG. 13 is a left view thereof; and,  
FIG. 14 is a right view thereof.  
The oblique shade lines in the Figures show transparency or translucency.  
The broken lines in the Figures show environment which forms no part of the claimed design.

**1 Claim, 10 Drawing Sheets**



(56)

**References Cited**

U.S. PATENT DOCUMENTS

D478,811 S *	8/2003	Huang	.....	D3/294	D627,749 S *	11/2010	Mitsubishi	.....	D14/126
D534,214 S *	12/2006	Marcy	.....	D10/2	D656,473 S *	3/2012	Laube	.....	D14/126
D538,241 S *	3/2007	Lee	.....	D14/126	D658,696 S *	5/2012	Au	.....	D15/199
D543,054 S *	5/2007	Au	.....	D3/298	D661,671 S *	6/2012	Laube	.....	D14/126
7,228,654 B2	6/2007	Stravitz			D685,433 S	7/2013	De Iuliis et al.		
D549,783 S *	8/2007	Beno	.....	D20/10	D691,208 S	10/2013	Gorelick		
D558,270 S *	12/2007	Beno	.....	D19/113	D708,270 S	7/2014	Heirakuji et al.		
D564,587 S *	3/2008	Kang	.....	D19/113	D719,172 S *	12/2014	Tsuru	.....	D14/485
D622,673 S *	8/2010	Maurer	.....	D13/162	D730,852 S *	6/2015	Park	.....	D14/126
					2012/0304513 A1	12/2012	Gorelick		
					2013/0326922 A1	12/2013	Lyons et al.		

\* cited by examiner

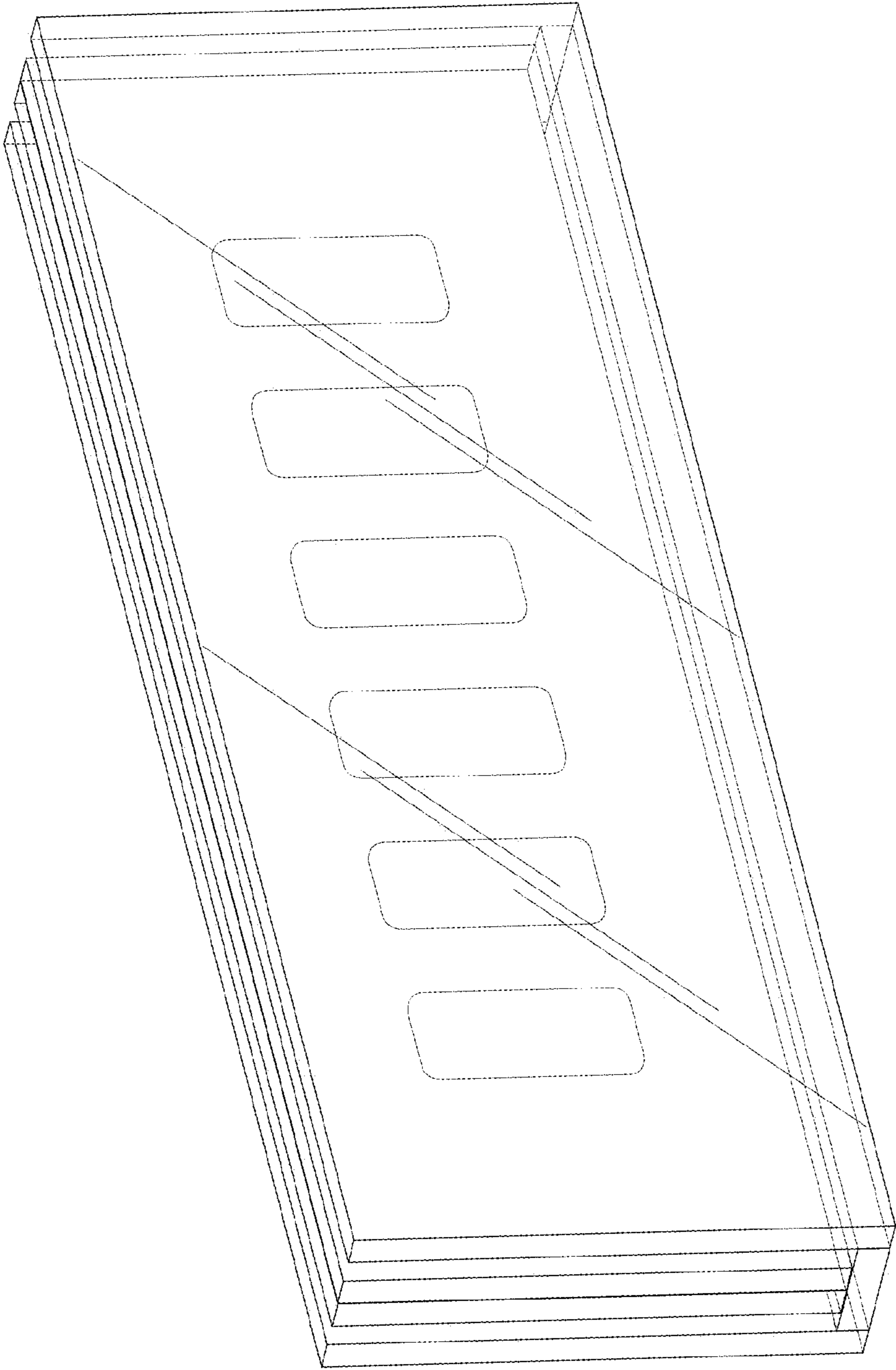


FIG. 1

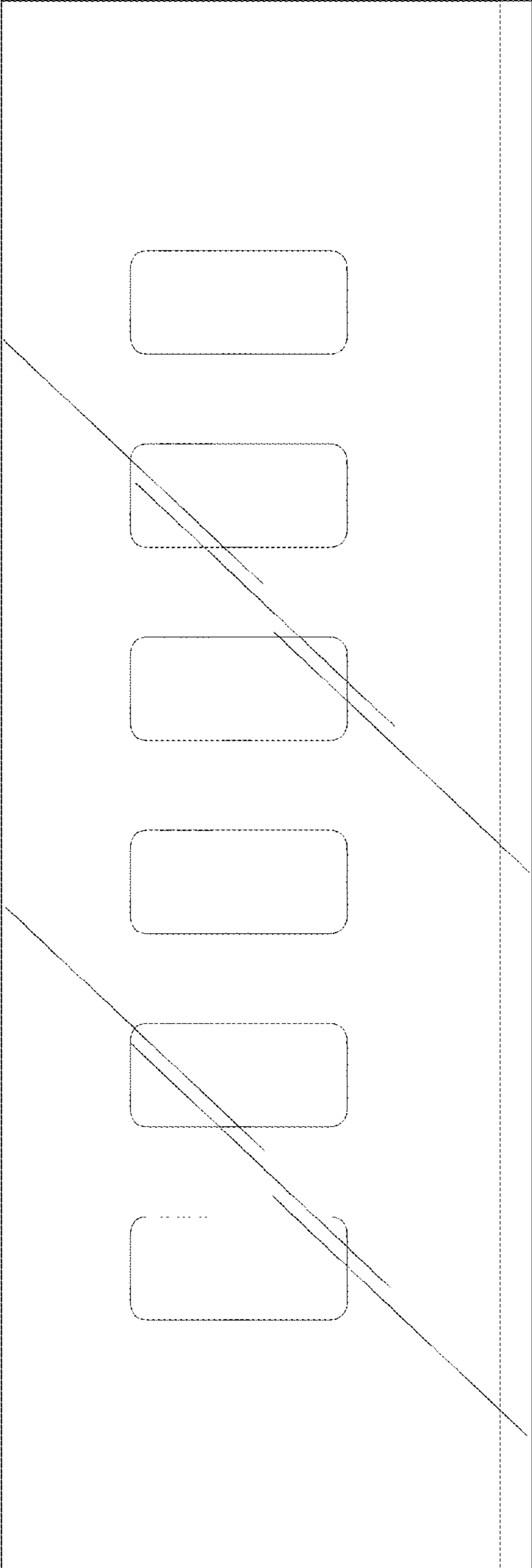


FIG. 2

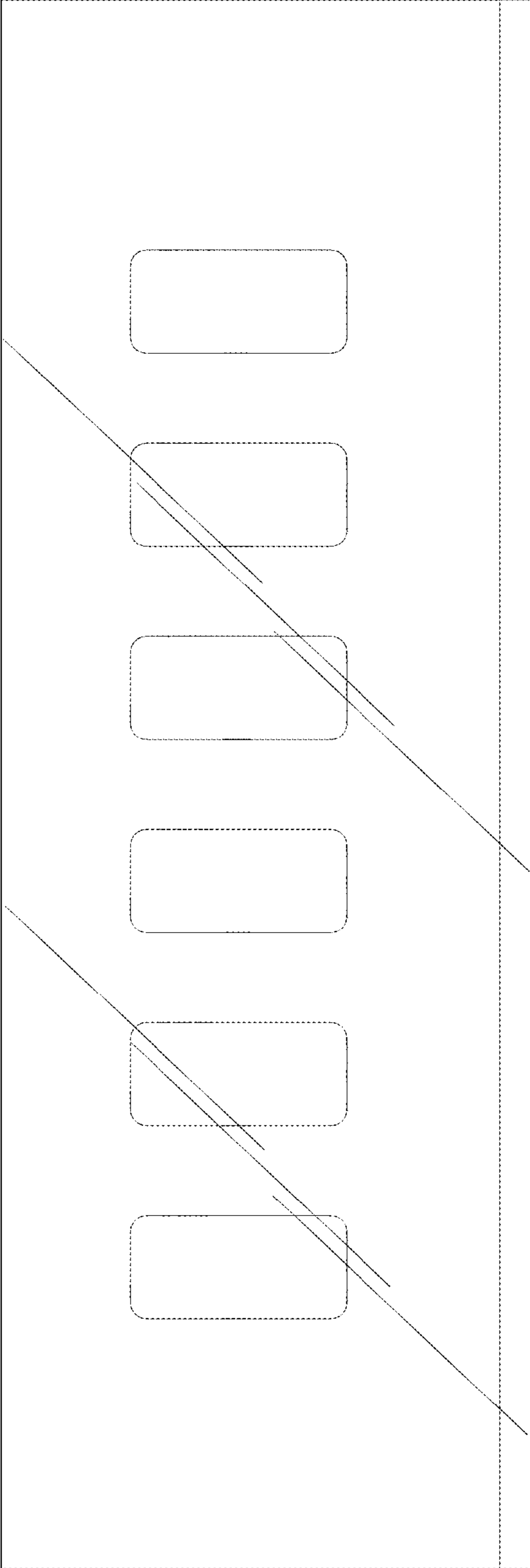


FIG. 3

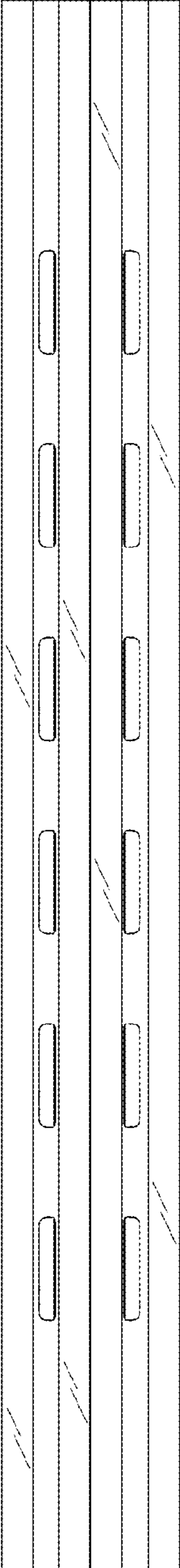


FIG. 4

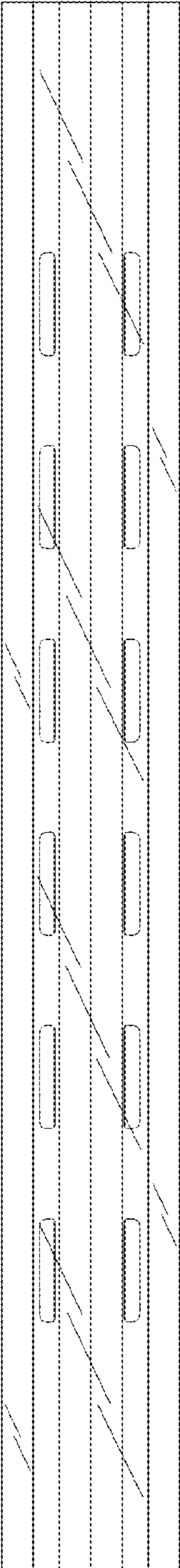
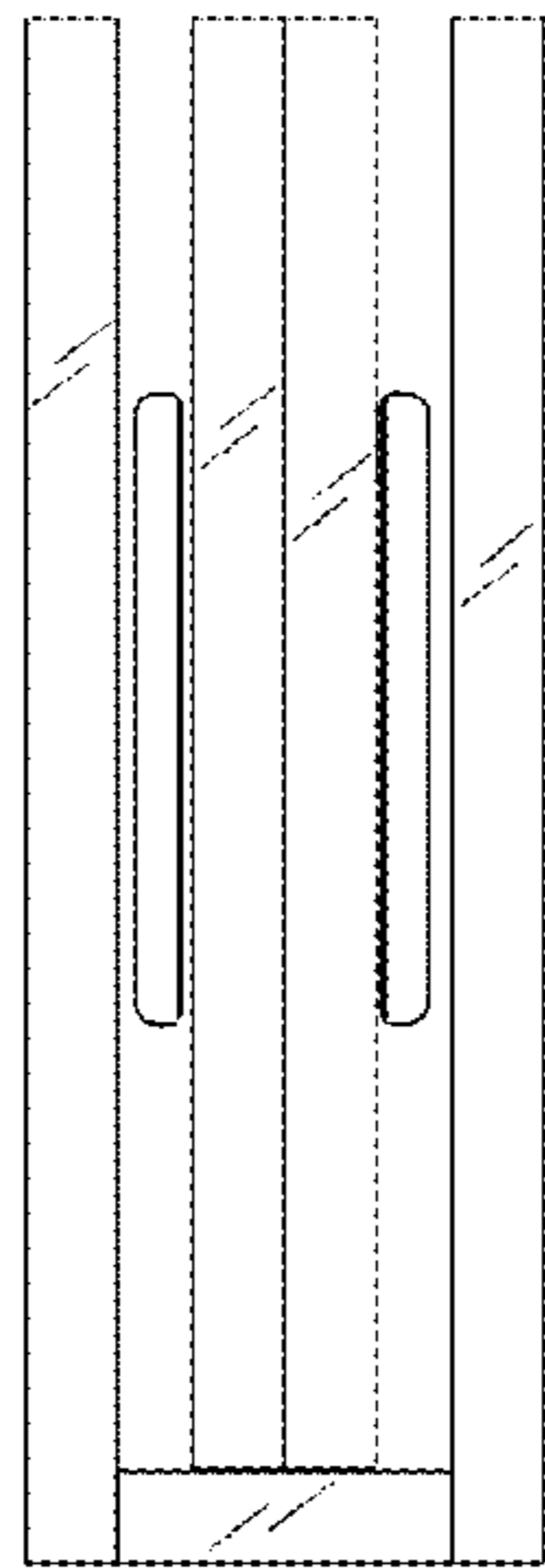
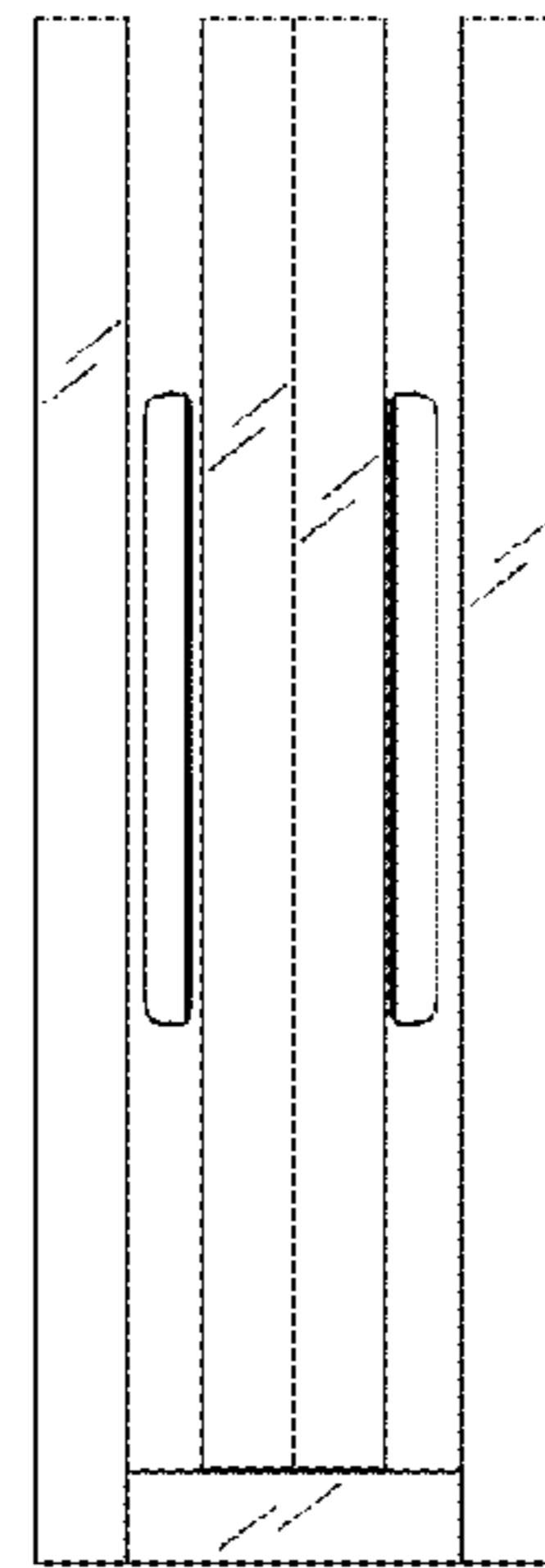


FIG. 5



**FIG. 6**



**FIG. 7**

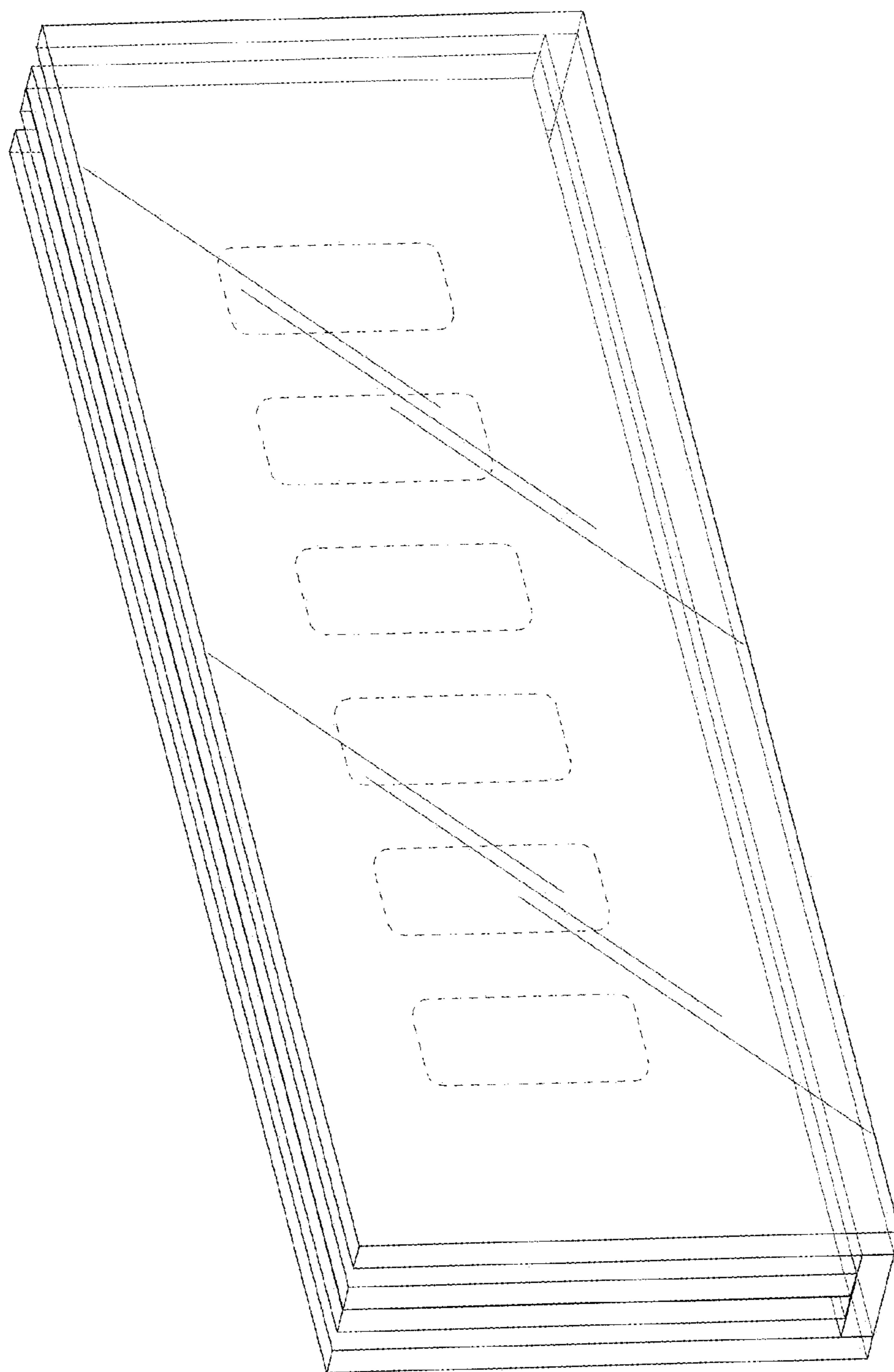


FIG. 8



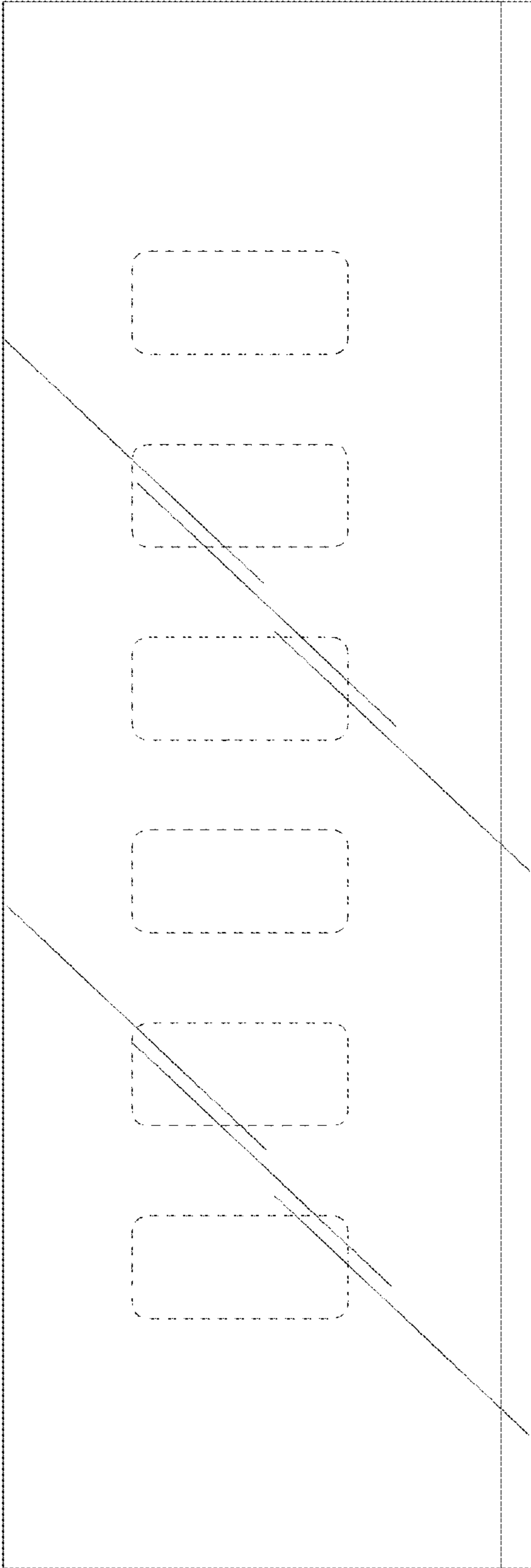


FIG. 9

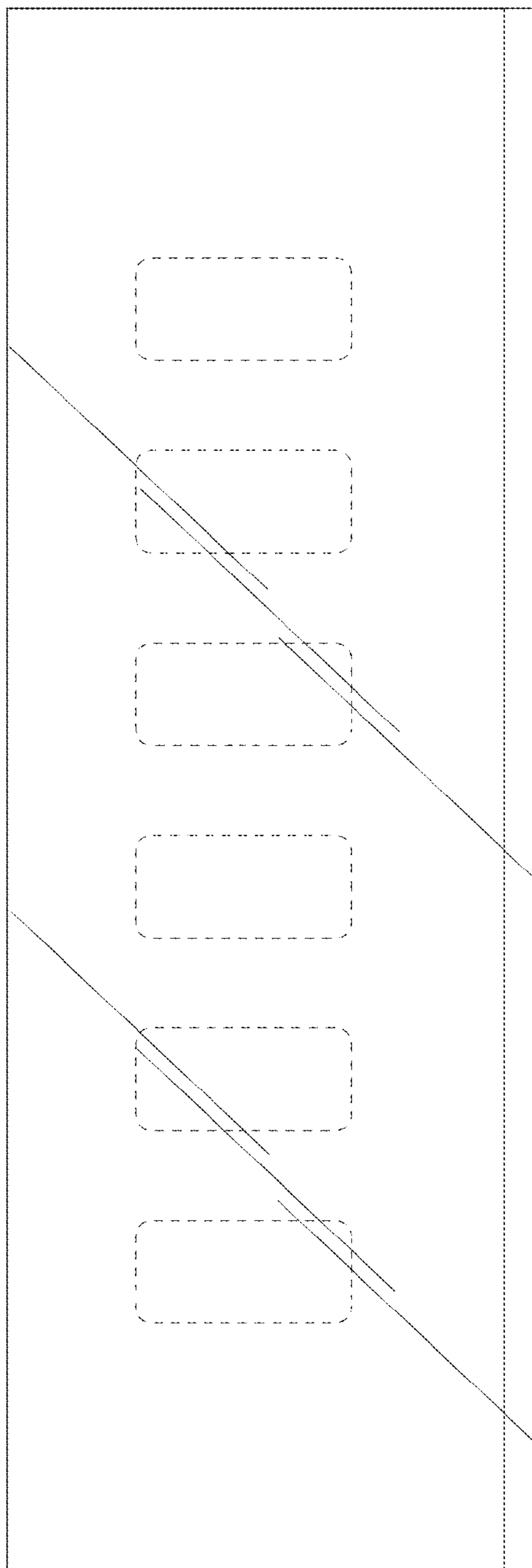
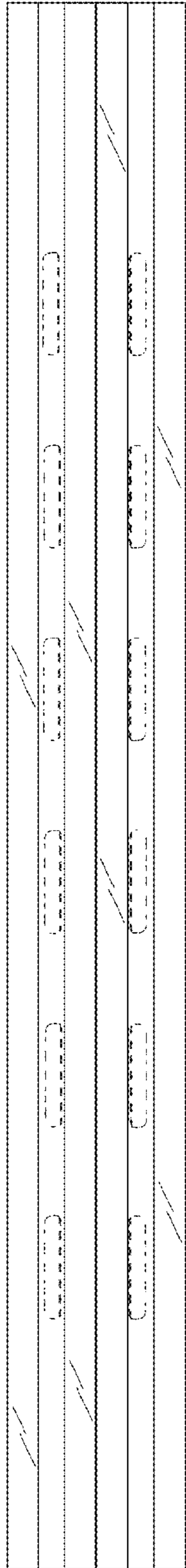
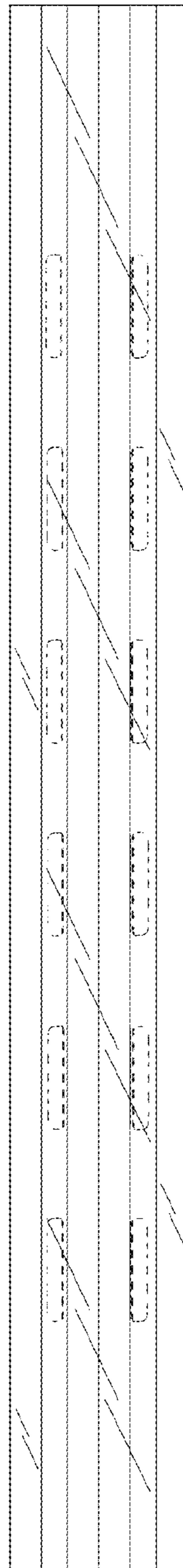


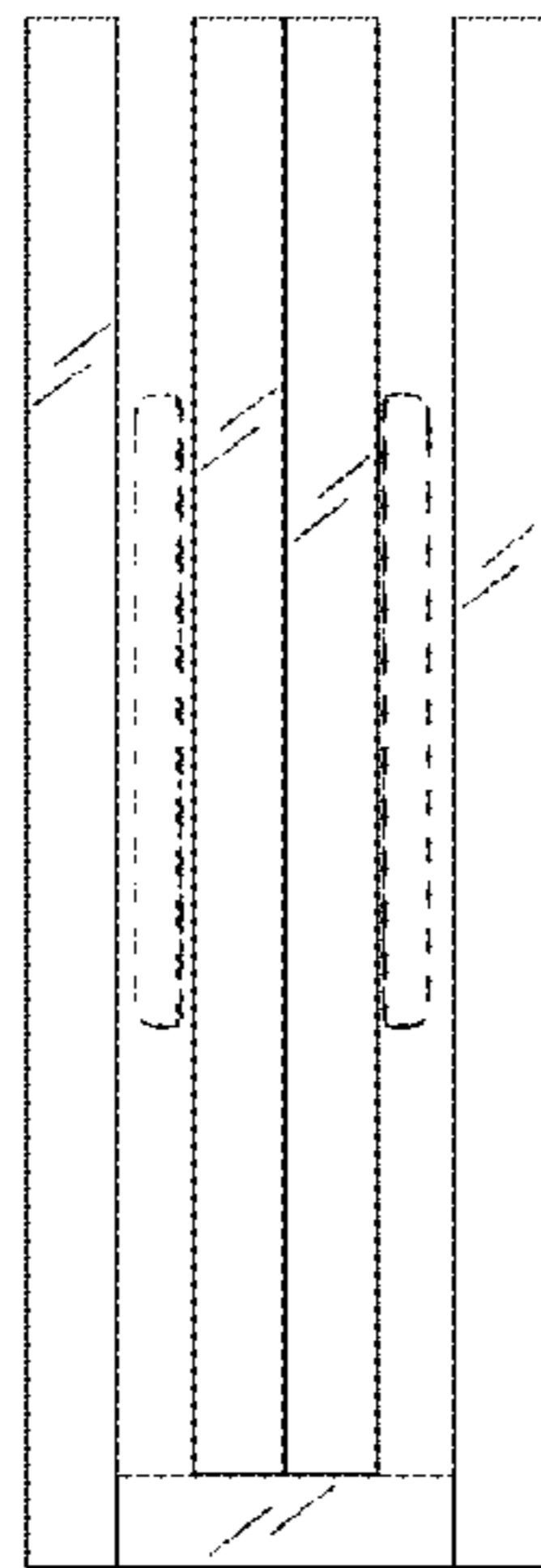
FIG. 10



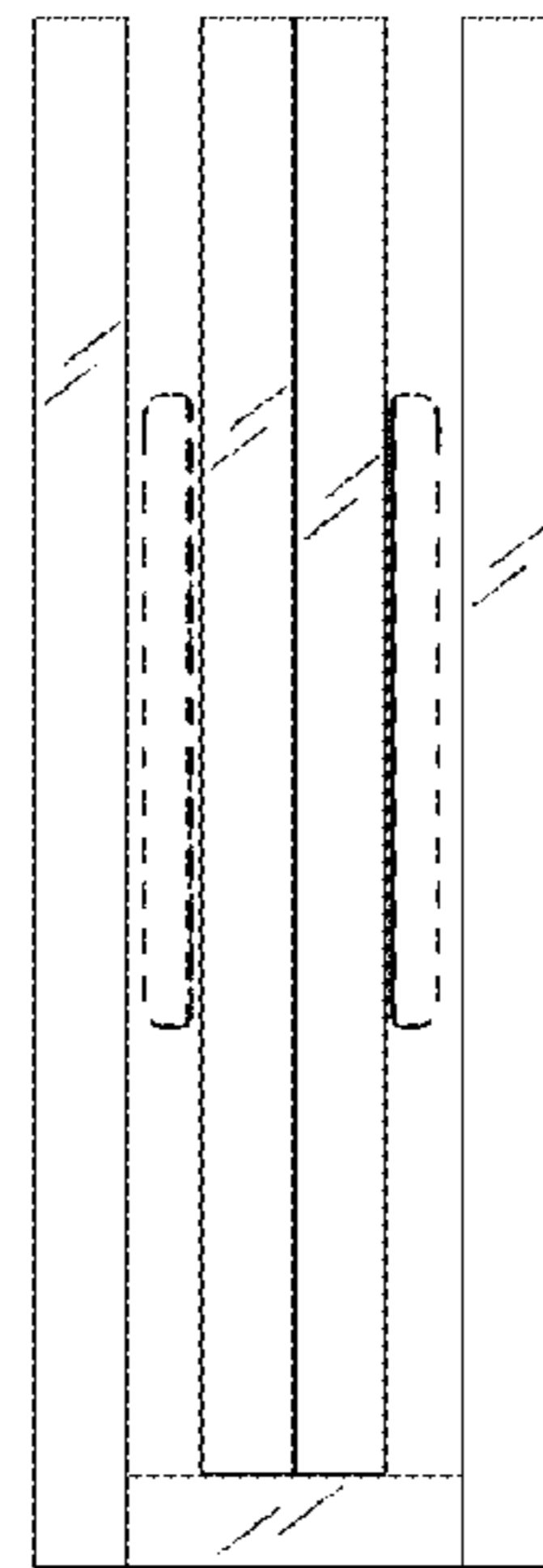
**FIG. 11**



**FIG. 12**



**FIG. 13**



**FIG. 14**