



US00D746615S

(12) **United States Design Patent**  
**Teeters, II**

(10) **Patent No.:** **US D746,615 S**  
(45) **Date of Patent:** **\*\* Jan. 5, 2016**

(54) **VEHICLE SIMULATION WORKSTATION**

D545,378 S \* 6/2007 Cropp ..... D21/325  
D692,060 S \* 10/2013 Lintz et al. .... D21/325  
2008/0191415 A1\* 8/2008 Arche et al. .... 273/148 B

(71) Applicant: **Melvin A Teeters, II**, Royal Palm Beach,  
FL (US)

(72) Inventor: **Melvin A Teeters, II**, Royal Palm Beach,  
FL (US)

(\*\*) Term: **14 Years**

(21) Appl. No.: **29/486,238**

(22) Filed: **Mar. 27, 2014**

(51) **LOC (10) Cl.** ..... **06-04**

(52) **U.S. Cl.**

USPC ..... **D6/674**; D21/325; D12/192

(58) **Field of Classification Search**

USPC ..... D21/324–326, 313, 320, 359, 424, 427,  
D21/433, 533, 548, 549, 560, 430, 447, 448,  
D21/477; 434/37, 38, 71, 62, 69; 463/1, 6,  
463/46, 47; 273/442, 148 B, 309, 148 R,  
273/459; 703/8; 248/127, 133, 146, 155.1,  
248/371, 176.1; 108/25, 33, 150; D12/192;  
D6/674

CPC ..... A63F 9/14; A63F 2300/1062; A63F  
2300/8017; G09B 9/05

See application file for complete search history.

(56) **References Cited**

**U.S. PATENT DOCUMENTS**

D242,563 S \* 11/1976 Takaichi ..... D21/325  
D242,565 S \* 11/1976 Green ..... D21/325  
4,167,822 A \* 9/1979 Weir et al. .... 434/70  
4,174,833 A \* 11/1979 Hennig et al. .... 273/442  
4,270,306 A \* 6/1981 Klawitter ..... 446/7  
D275,772 S \* 10/1984 Akopian et al. .... D21/326  
D315,758 S \* 3/1991 Watanabe ..... D21/477  
5,106,102 A \* 4/1992 Mitsumoto ..... 273/442  
D451,153 S \* 11/2001 Hedrick et al. .... D21/385  
6,688,984 B2 \* 2/2004 Cole ..... 463/46

**OTHER PUBLICATIONS**

SkeeterBilt : Flypod (via Facebook), available Sep. 15, 2014,  
[online], [site visited Jun. 25, 2015]. Available from internet, <URL:  
[https://www.facebook.com/SkeeterBiltFlyPods/posts/391561817682366#!/SkeeterBiltFlyPods/photos/pb.310943669077515.-2207520000.1435256786./310947942410421/?type=3&theater.\\*](https://www.facebook.com/SkeeterBiltFlyPods/posts/391561817682366#!/SkeeterBiltFlyPods/photos/pb.310943669077515.-2207520000.1435256786./310947942410421/?type=3&theater.*)

IFR training with flight simulator, available Sep. 26, 2013, [online],  
[site visited Jun. 25, 2015]. Available from internet, <URL: [http://www.g1000.be/ifr\\_training\\_g1000\\_flightsimulator.html.\\*](http://www.g1000.be/ifr_training_g1000_flightsimulator.html.*)

\* cited by examiner

*Primary Examiner* — Cathron Brooks

*Assistant Examiner* — Teddy Falloway

(74) *Attorney, Agent, or Firm* — Patent Law of Rick Martin,  
P.C

(57) **CLAIM**

The ornamental design for a vehicle simulation workstation,  
as shown and described.

**DESCRIPTION**

FIG. 1 is a front perspective view of my new design for a  
vehicle simulation workstation;

FIG. 2 is a left side elevation view of my new invention,  
wherein the right side elevation view is a mirror image  
thereof;

FIG. 3 is a front elevation view of my new invention;

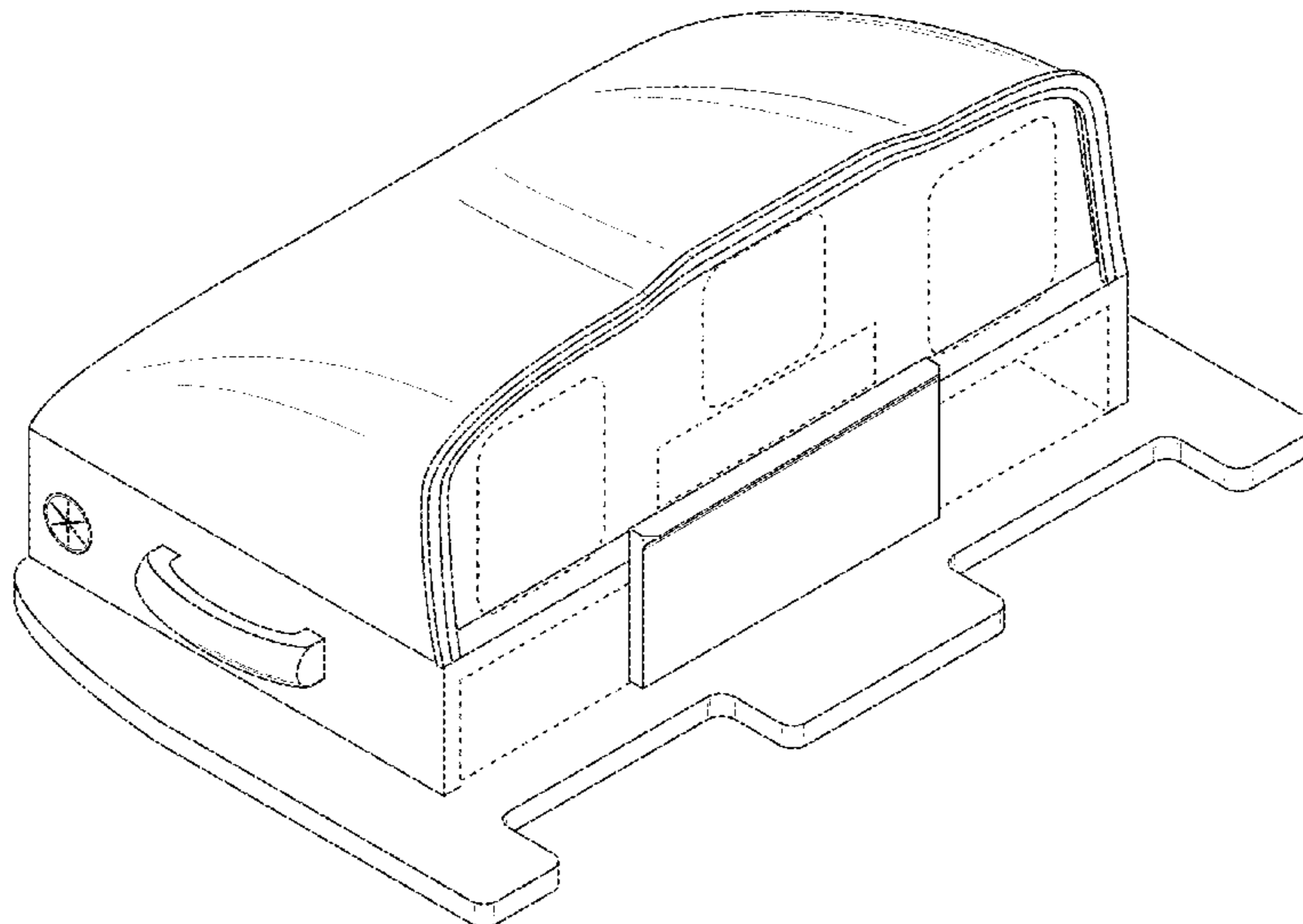
FIG. 4 is a rear elevation view of my new invention;

FIG. 5 is a top plan view of my new invention; and,

FIG. 6 is a rear perspective view of my new invention.

The broken lines shown are included for the purpose of illus-  
trating environment and form no part of the claimed design.

**1 Claim, 4 Drawing Sheets**



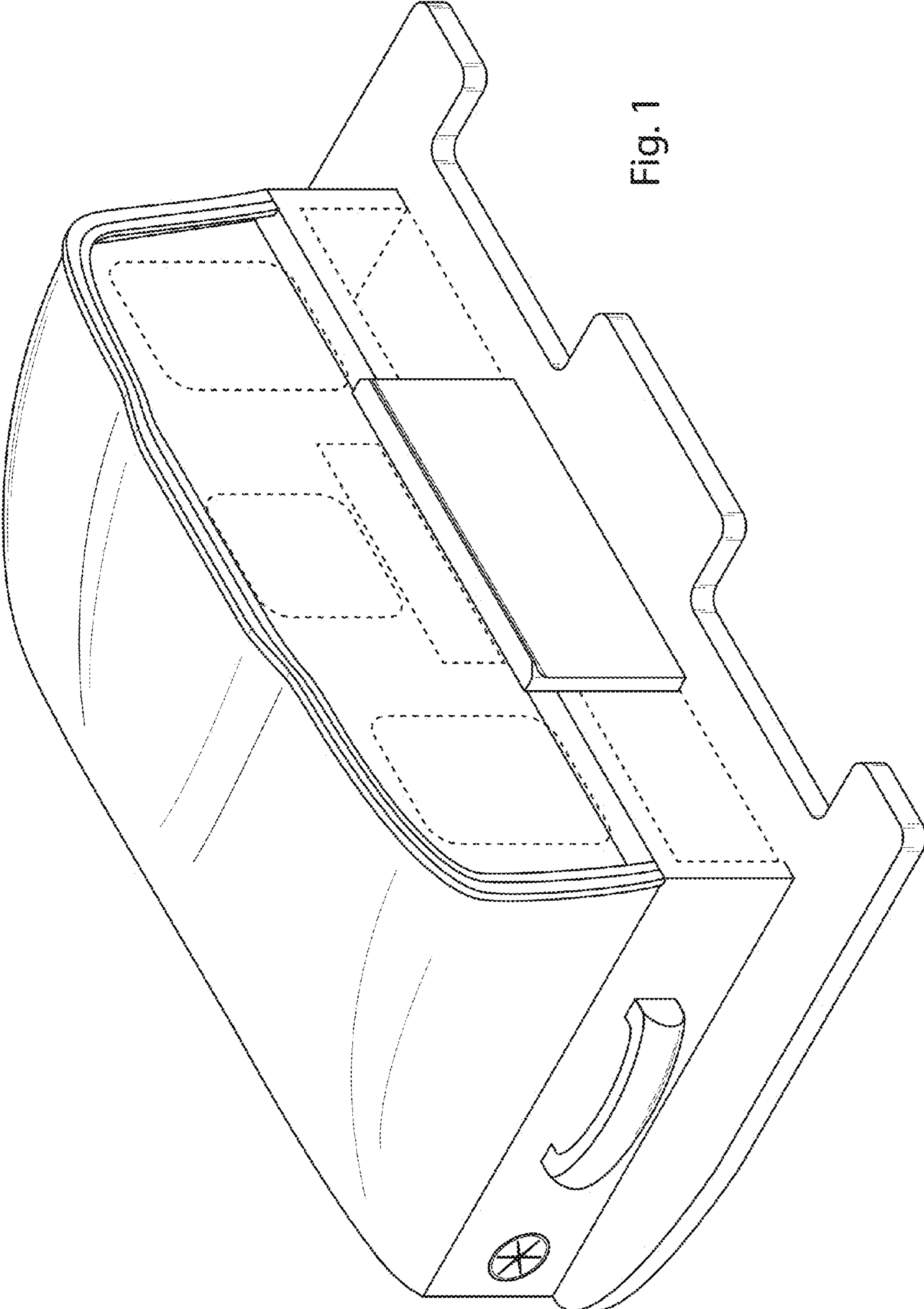


Fig. 1

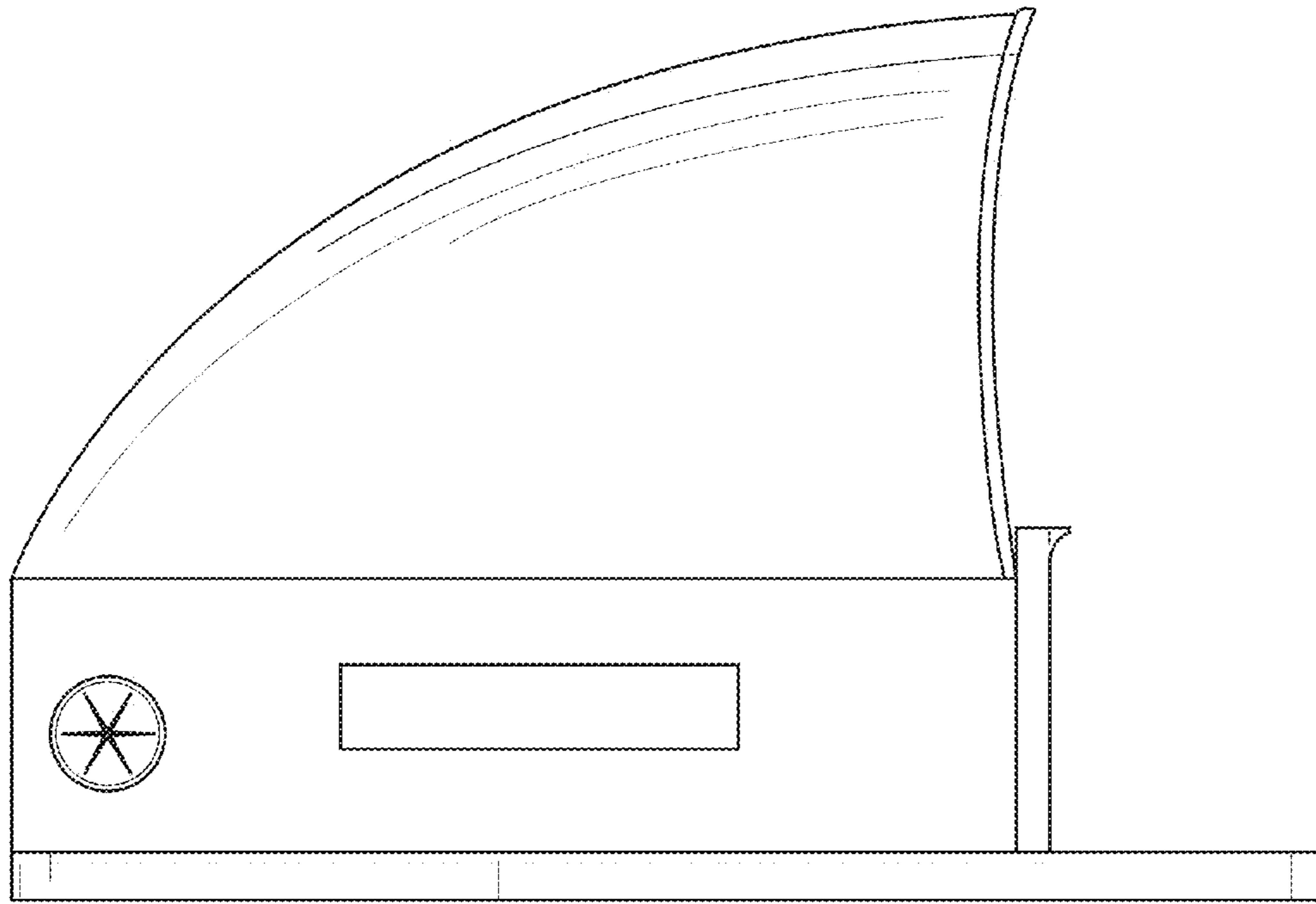


Fig. 2

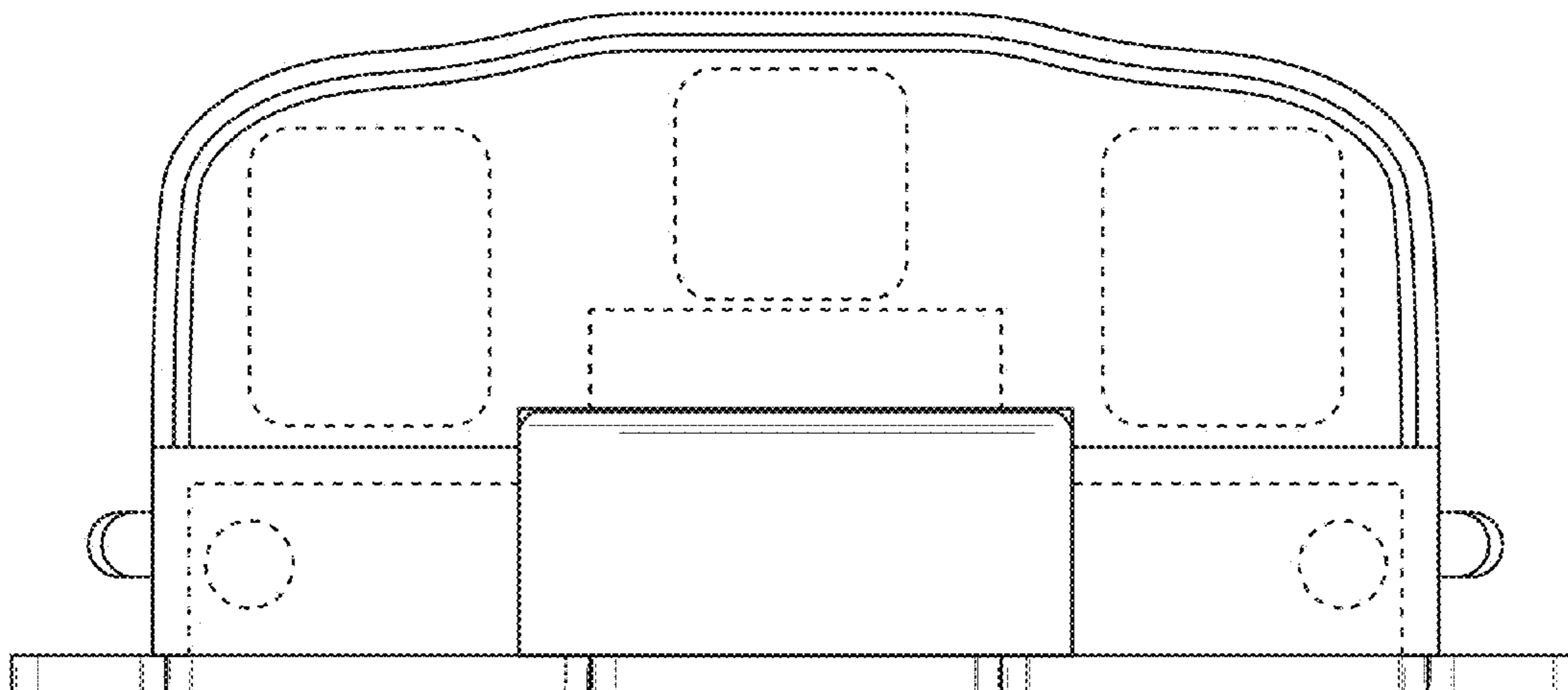


Fig. 3

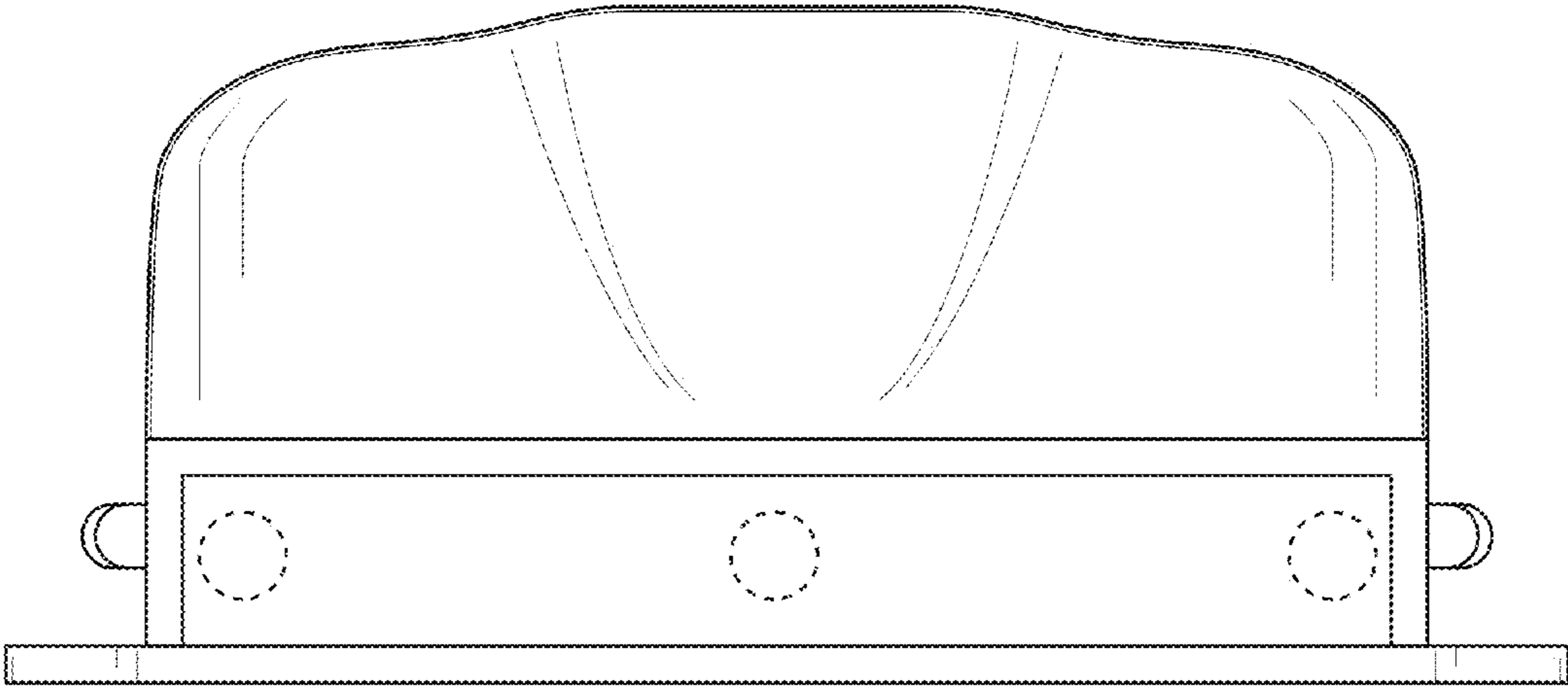


Fig. 4

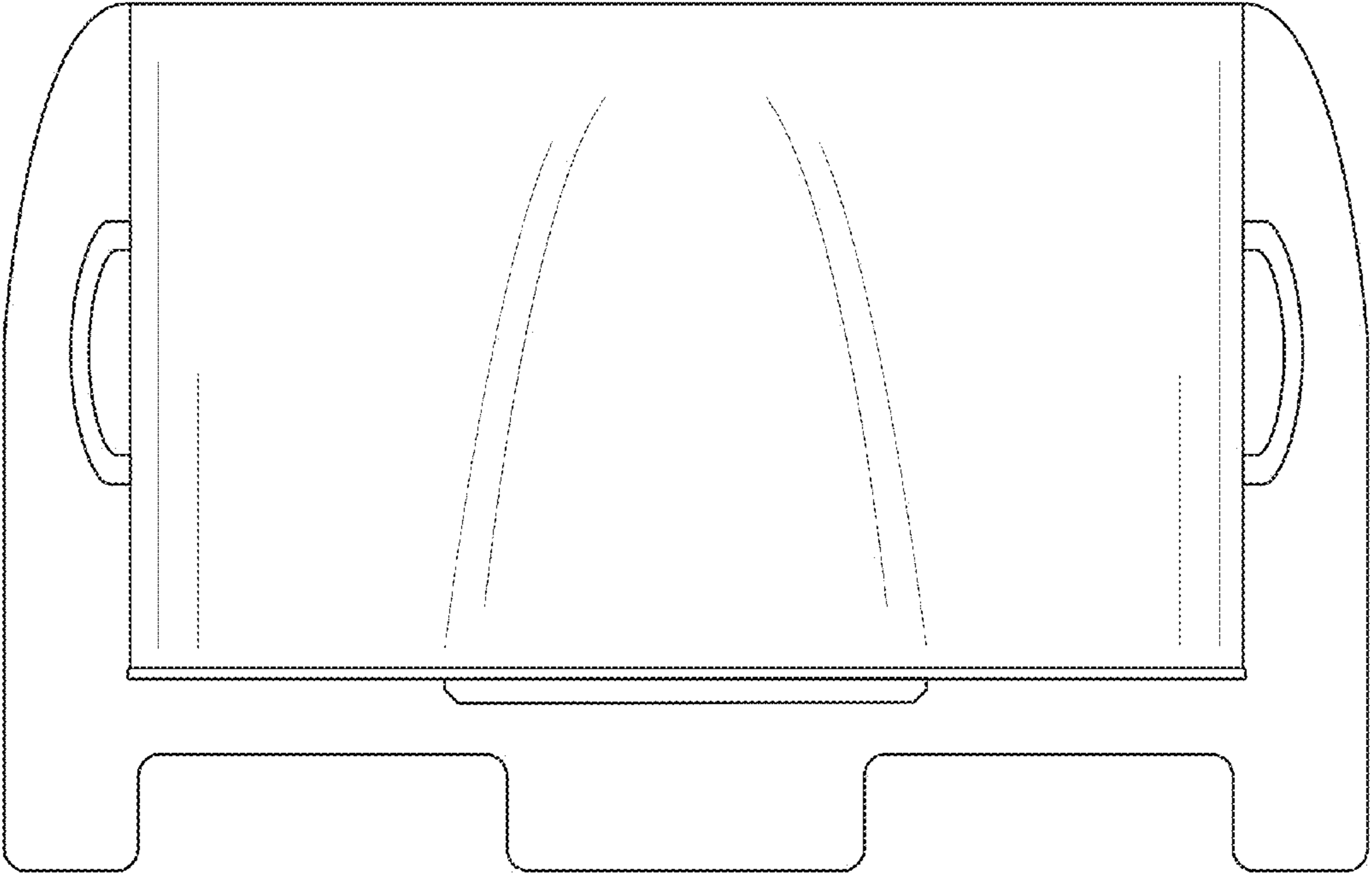


Fig. 5

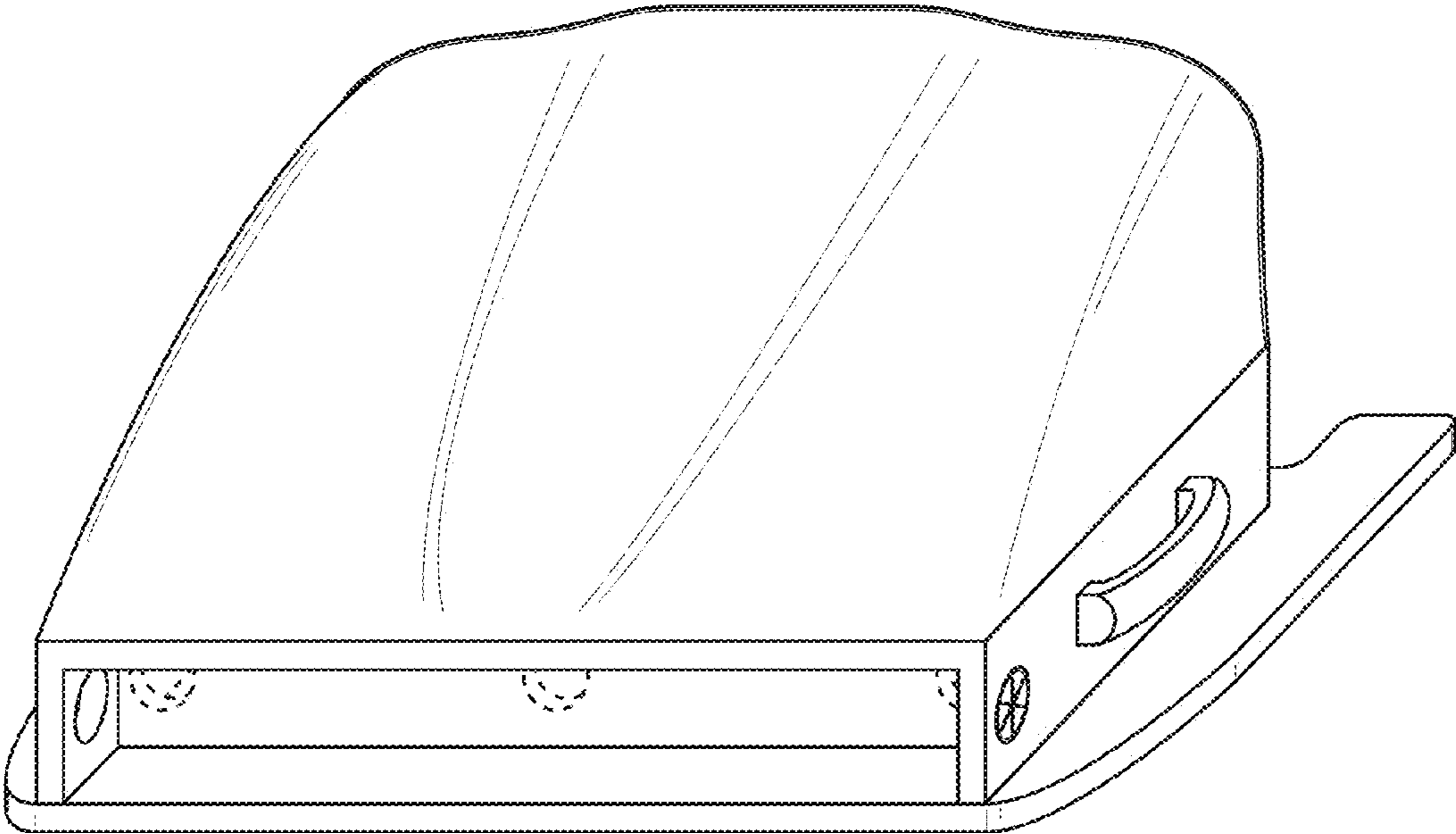


Fig. 6