



US00D746614S

(12) **United States Design Patent**  
**Sheppard**

(10) **Patent No.:** **US D746,614 S**  
(45) **Date of Patent:** **\*\* Jan. 5, 2016**

- (54) **POT BOARD DRESSER CABINET**
- (71) Applicant: **Canburg Limited**, Wiltshire (GB)
- (72) Inventor: **Peter Ralph Sheppard**, London (GB)
- (73) Assignee: **Canburg Limited**, Devizes, Wiltshire (GB)
- (\*\*) Term: **14 Years**
- (21) Appl. No.: **29/502,918**
- (22) Filed: **Sep. 22, 2014**
- (51) **LOC (10) Cl.** ..... **06-04**
- (52) **U.S. Cl.**  
USPC ..... **D6/657**
- (58) **Field of Classification Search**  
USPC ..... D6/655, 657, 662, 662.1, 675.1, 685,  
D6/691.9, 707.19  
CPC ..... A47B 7/02; A47B 17/04; A47B 47/03;  
A47B 67/04; A47B 88/04  
See application file for complete search history.

- D430,752 S \* 9/2000 Hazen ..... D6/662.1
- D443,442 S \* 6/2001 Hutton ..... D6/691.9
- D552,890 S \* 10/2007 Domack ..... D6/691.9
- D669,704 S \* 10/2012 Zambelli ..... D6/657
- D669,706 S \* 10/2012 Zambelli ..... D6/662.1
- D669,707 S \* 10/2012 Zambelli ..... D6/662.1
- D702,467 S \* 4/2014 Huang ..... D6/707.19

\* cited by examiner

*Primary Examiner* — Mimosa De

(74) *Attorney, Agent, or Firm* — Gesmer Updegrave LLP

(57) **CLAIM**

The ornamental design for a pot board dresser cabinet, as shown and described.

**DESCRIPTION**

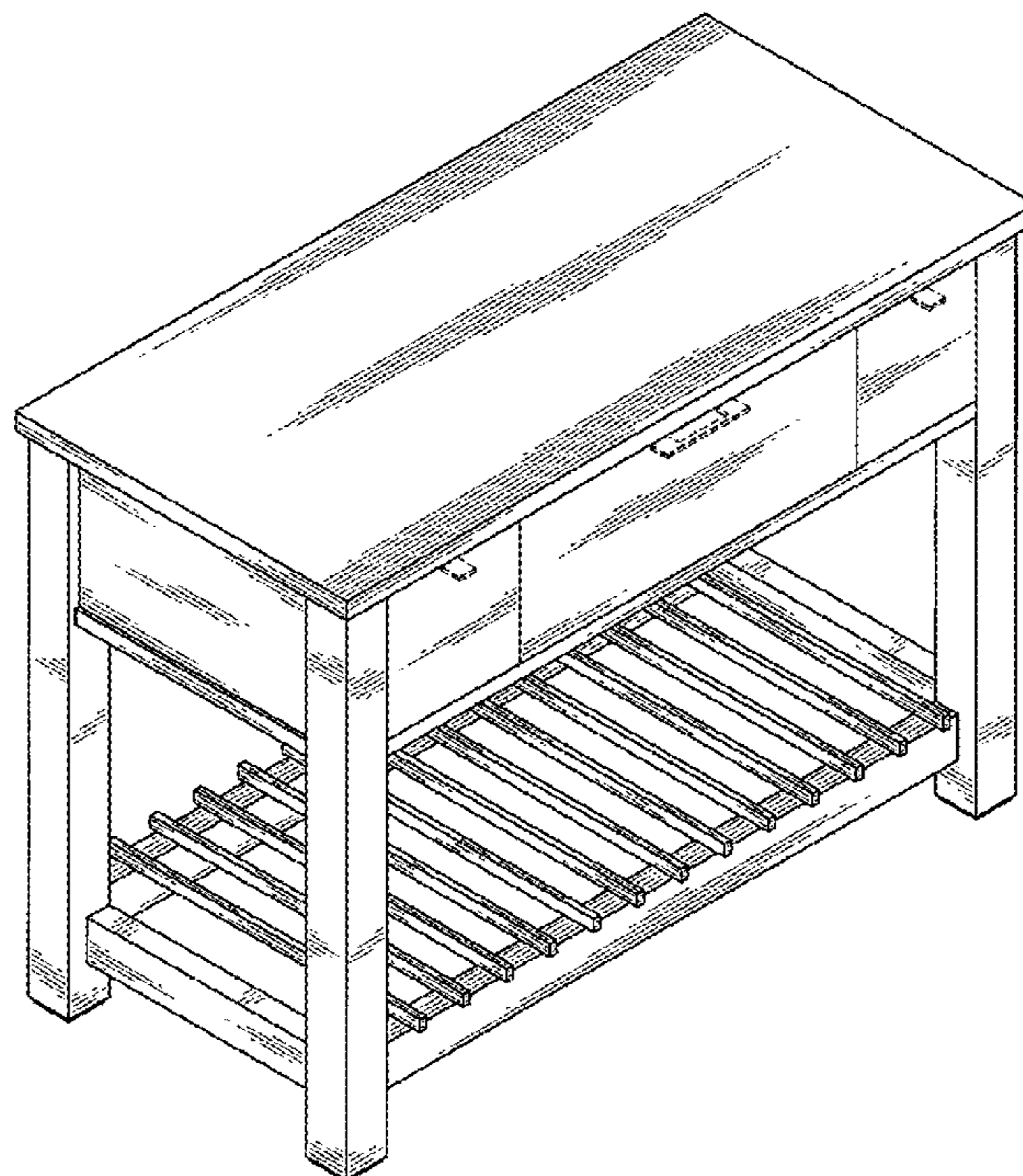
FIG. 1 depicts a perspective view of the pot board dresser cabinet;  
 FIG. 2 depicts a front view of the pot board dresser cabinet of FIG. 1;  
 FIG. 3 depicts a bottom view of the pot board dresser cabinet of FIG. 1;  
 FIG. 4 depicts a top view of the pot board dresser cabinet of FIG. 1;  
 FIG. 5 depicts a back view of the pot board dresser cabinet of FIG. 1;  
 FIG. 6 depicts a left side view of the pot board dresser cabinet of FIG. 1; and,  
 FIG. 7 depicts a right side view of the pot board dresser cabinet of FIG. 1.  
 The broken lines in FIGS. 1-4, 6 and 7 form no part of the claimed design.

**1 Claim, 4 Drawing Sheets**

(56) **References Cited**

**U.S. PATENT DOCUMENTS**

- D47,234 S \* 4/1915 Kekkonen ..... D6/657
- D155,976 S \* 11/1949 Dunham ..... D6/655
- D237,931 S \* 12/1975 Brandenfels ..... D6/675.1
- D248,915 S \* 8/1978 Brandenfels ..... D6/685
- D278,294 S \* 4/1985 Dau ..... D6/691.9
- D379,724 S \* 6/1997 Lo ..... D6/662.1



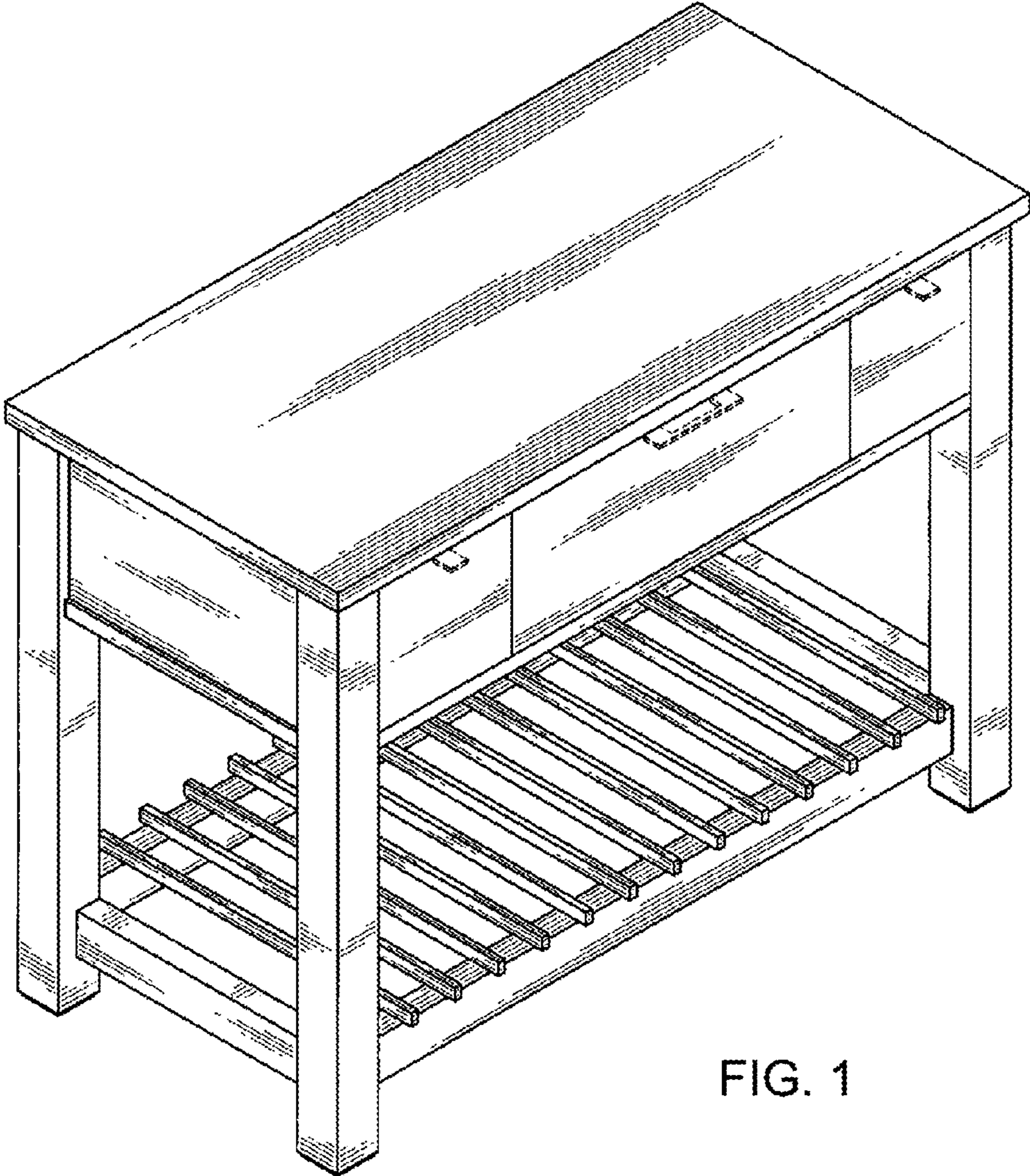


FIG. 1

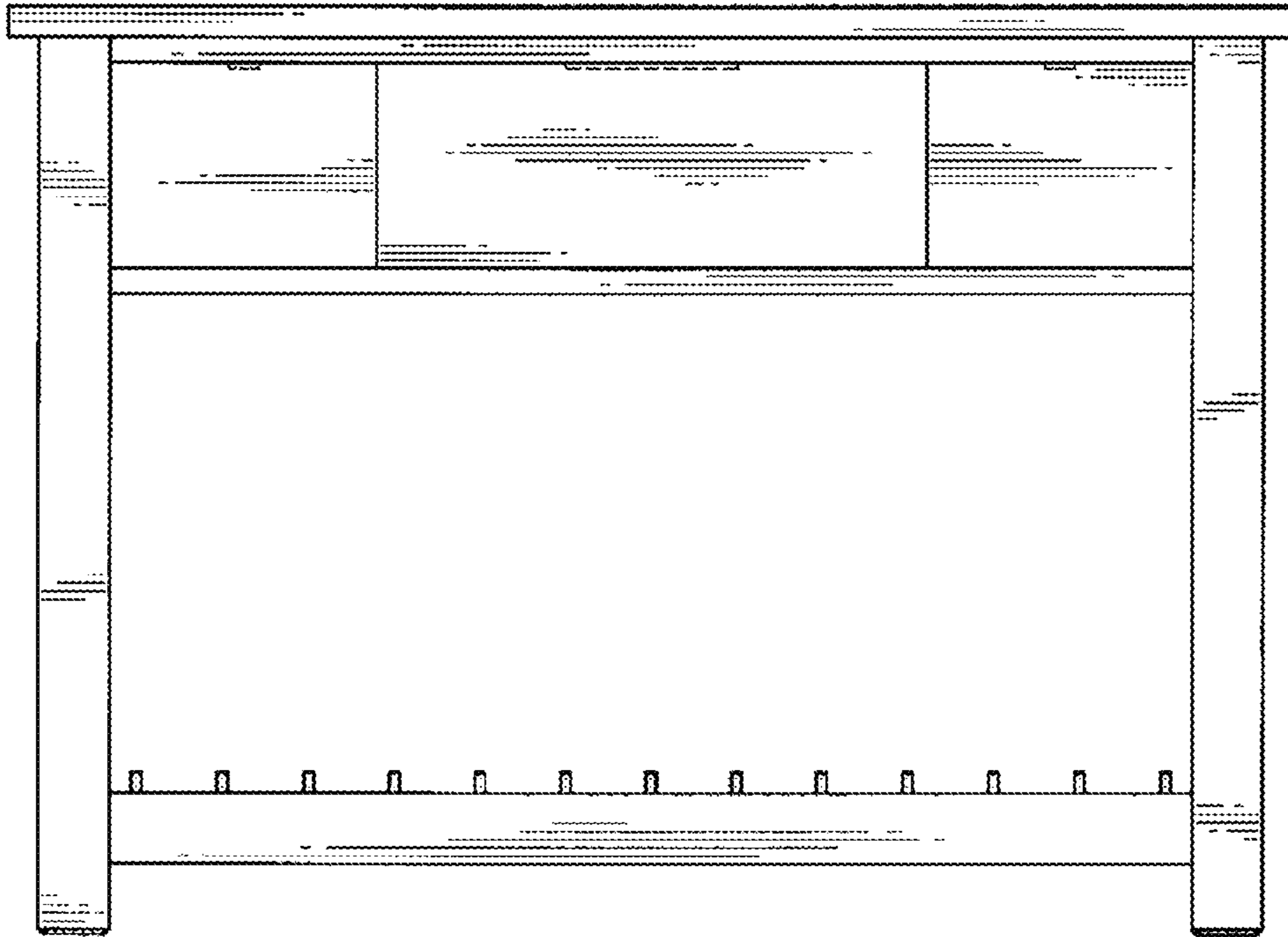


FIG. 2

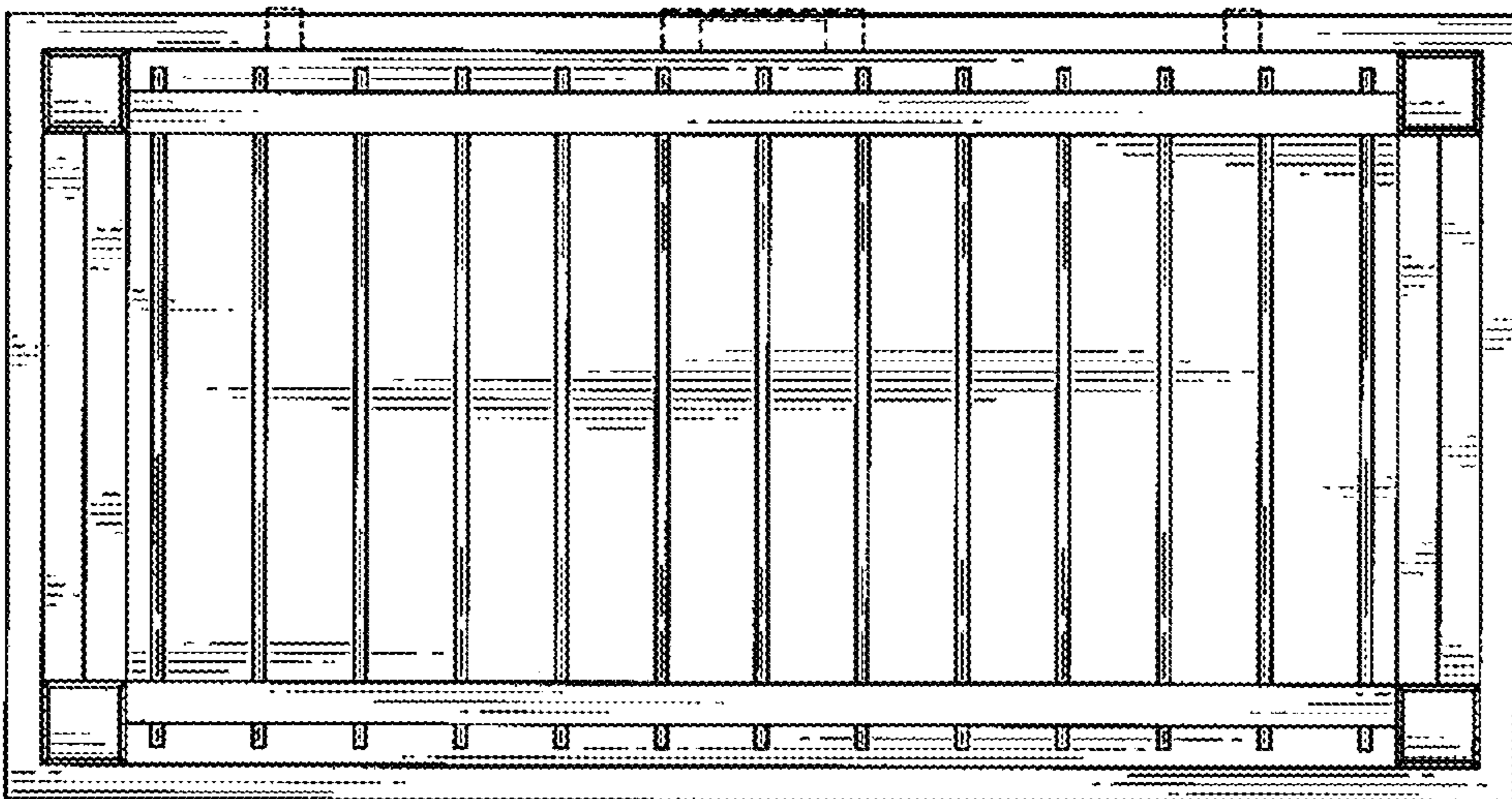


FIG. 3

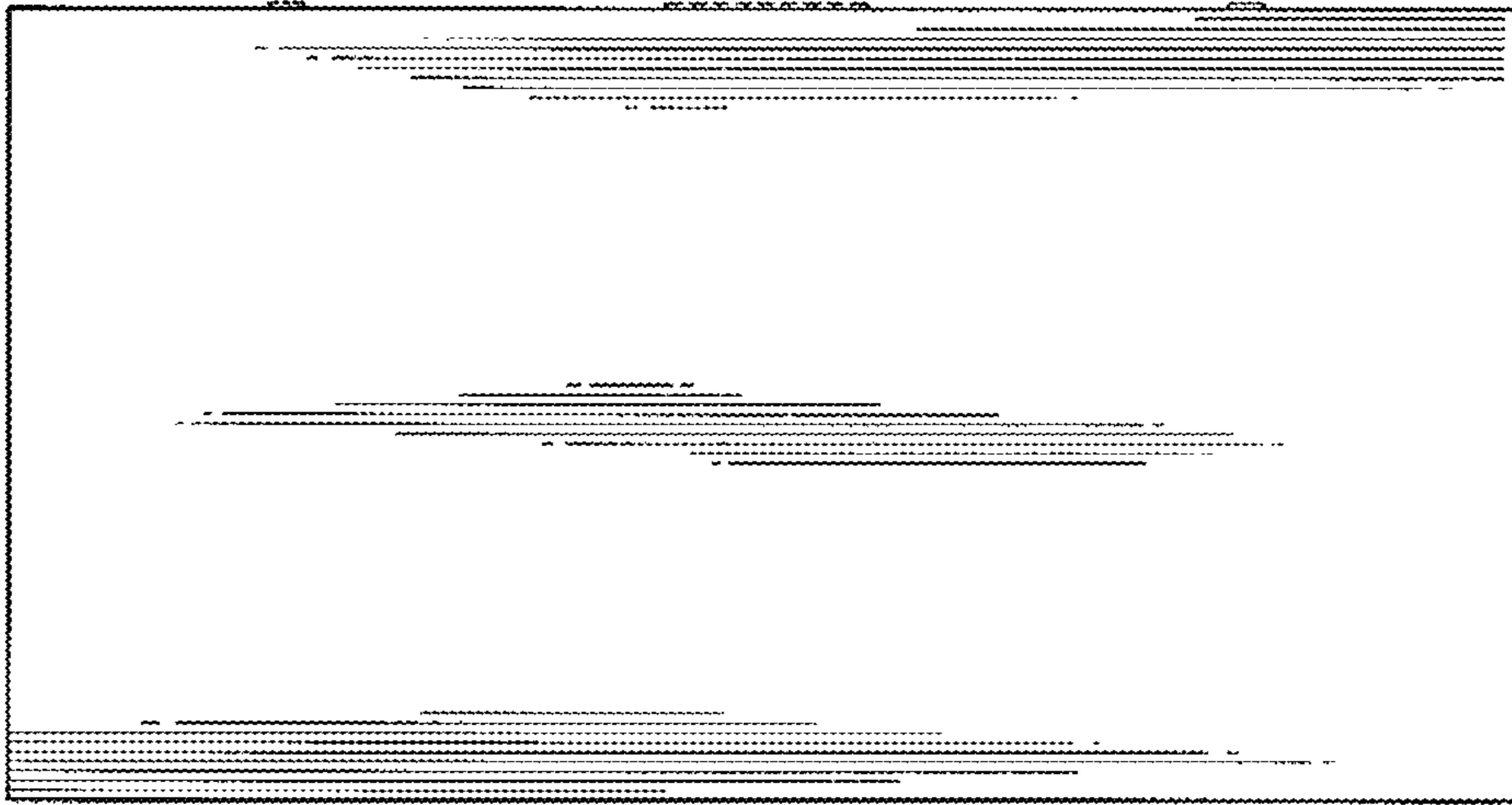


FIG. 4

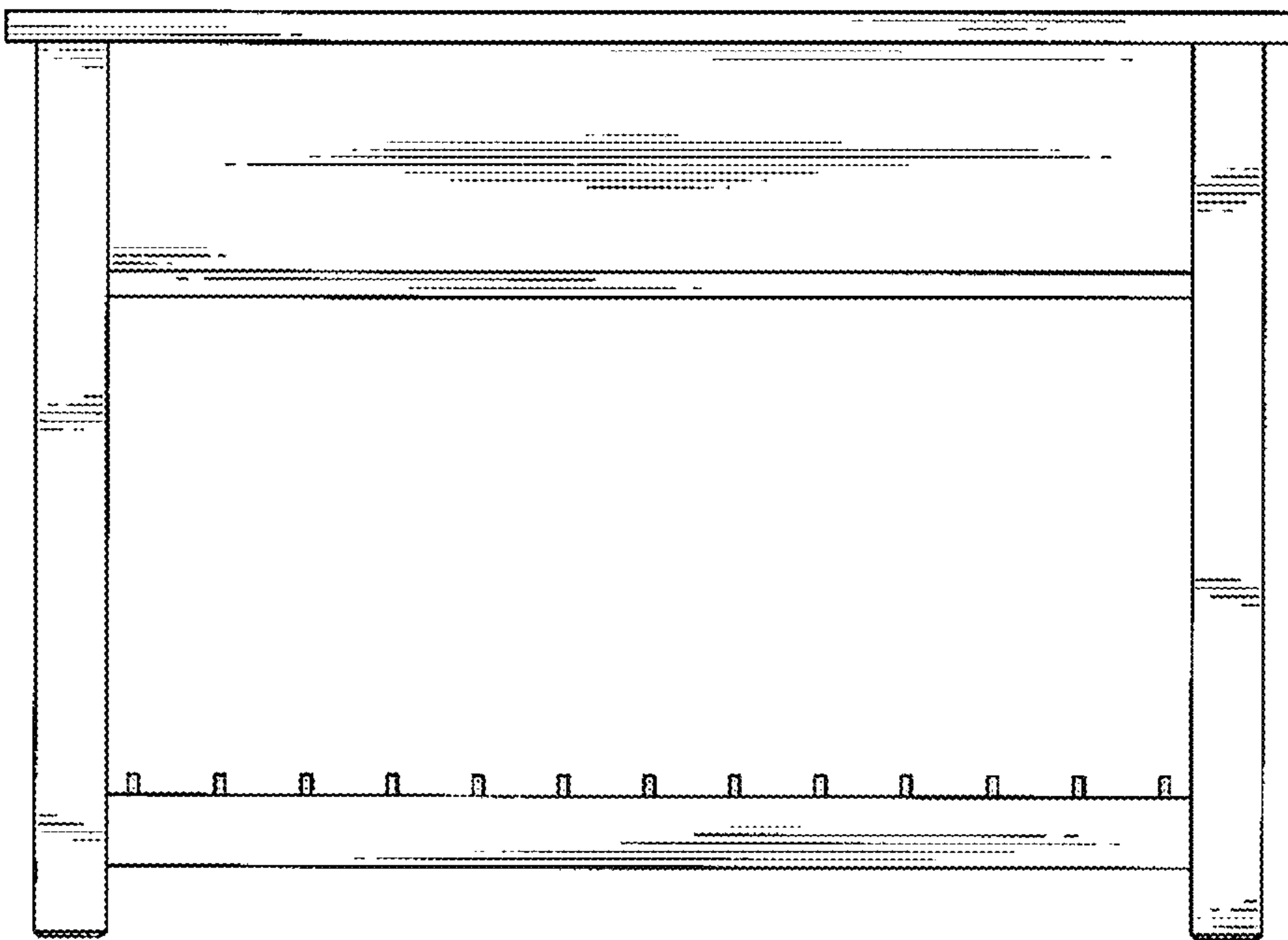


FIG. 5

FIG. 6

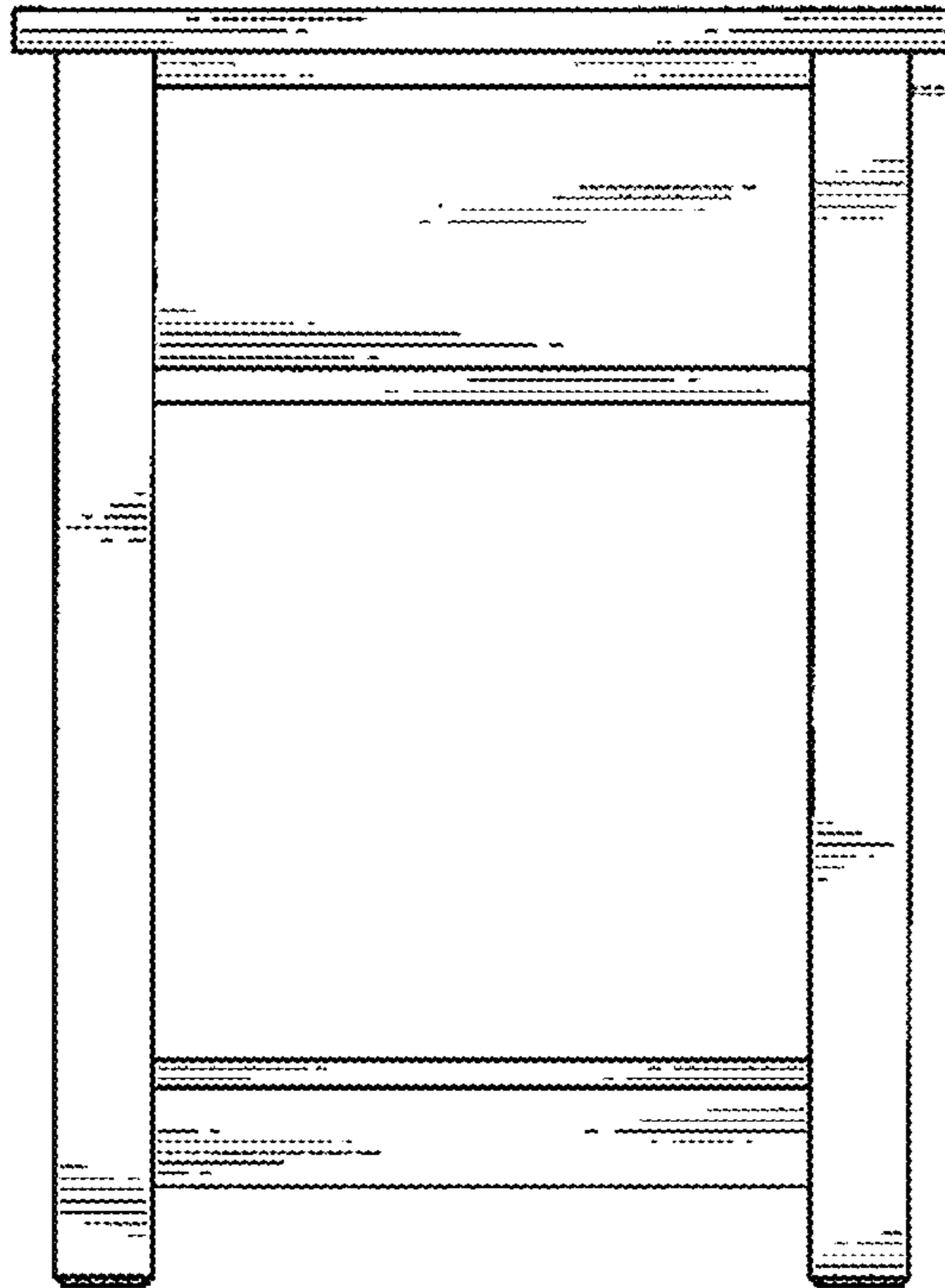


FIG. 7

