



US00D746613S

(12) **United States Design Patent**
DeRosa

(10) **Patent No.:** **US D746,613 S**
(45) **Date of Patent:** **** Jan. 5, 2016**

(54) **DUAL-SIDED HEAD REST PILLOW FOR ATTACHING TO CHAIRS**

(71) Applicant: **John DeRosa**, Erie, PA (US)

(72) Inventor: **John DeRosa**, Erie, PA (US)

(**) Term: **14 Years**

(21) Appl. No.: **29/491,282**

(22) Filed: **May 20, 2014**

(51) **LOC (10) Cl.** **06-09**

(52) **U.S. Cl.**
USPC **D6/601**

(58) **Field of Classification Search**
USPC D6/595-601, 604-606; D24/183;
D21/604, 630, 803, 804, 808
CPC A47C 20/00; A47C 20/021; A47C 20/026;
A47C 20/027; A47C 7/021; A47C 7/383;
A47C 16/00; A47G 9/10; A47G 9/1027;
A47G 9/1045; A47G 9/1054; A47G 9/1063;
A47G 9/1072; A47G 9/1081; A47G 9/109;
A47D 13/08; B60N 2/4879; B60N 2/4882
See application file for complete search history.

(56) **References Cited**

U.S. PATENT DOCUMENTS

2,566,757 A	9/1951	Alexander	
2,589,155 A *	3/1952	Smith	B60N 2/4879 128/DIG. 23
3,578,383 A	5/1971	Earl	
4,274,673 A	6/1981	Kifferstein	
D296,855 S *	7/1988	Belk	D6/716.5
D317,541 S	6/1991	Carwile	

D349,146 S *	7/1994	Mahler	D21/809
D370,956 S *	6/1996	Pery	D21/809
D389,359 S *	1/1998	Nowak	5/655
5,826,287 A *	10/1998	Tandrup	A47D 13/08 297/219.12
6,254,189 B1	7/2001	Closson	
6,560,800 B1 *	5/2003	Draves	A47C 20/027 5/630
6,641,220 B2 *	11/2003	Clegg	A47C 7/383 297/397
D509,694 S *	9/2005	Pitchford	D6/601
7,547,071 B2	6/2009	Huffman	
D598,230 S *	8/2009	Huffman	D6/601
7,744,158 B2 *	6/2010	Schurg	B60N 2/4882 297/391
8,429,775 B2 *	4/2013	North	A47C 20/02 128/869
D728,970 S *	5/2015	Gilroy	D6/601
2002/0067063 A1	6/2002	Taborro	

* cited by examiner

Primary Examiner — Mary Ann Calabrese

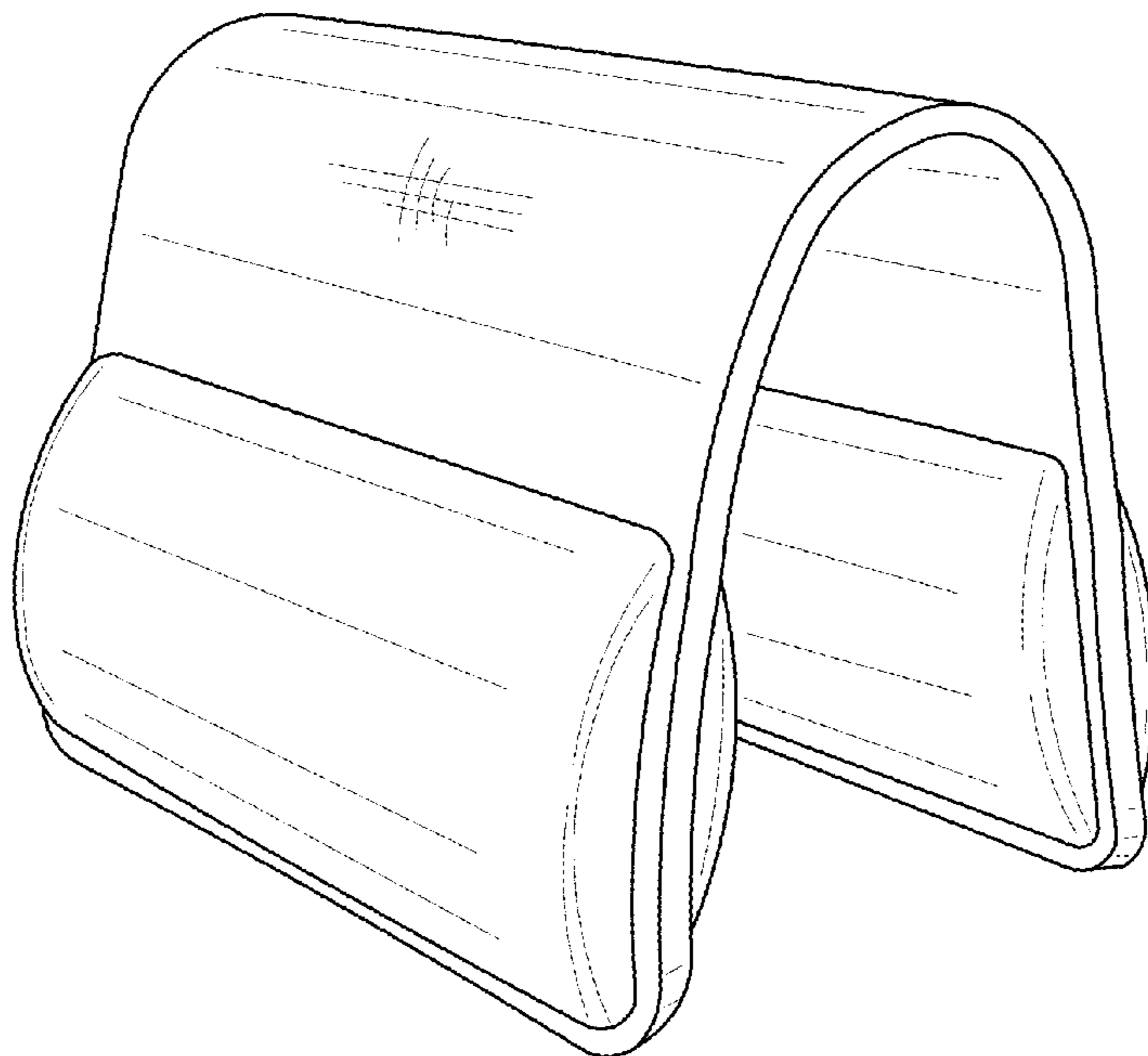
(57) **CLAIM**

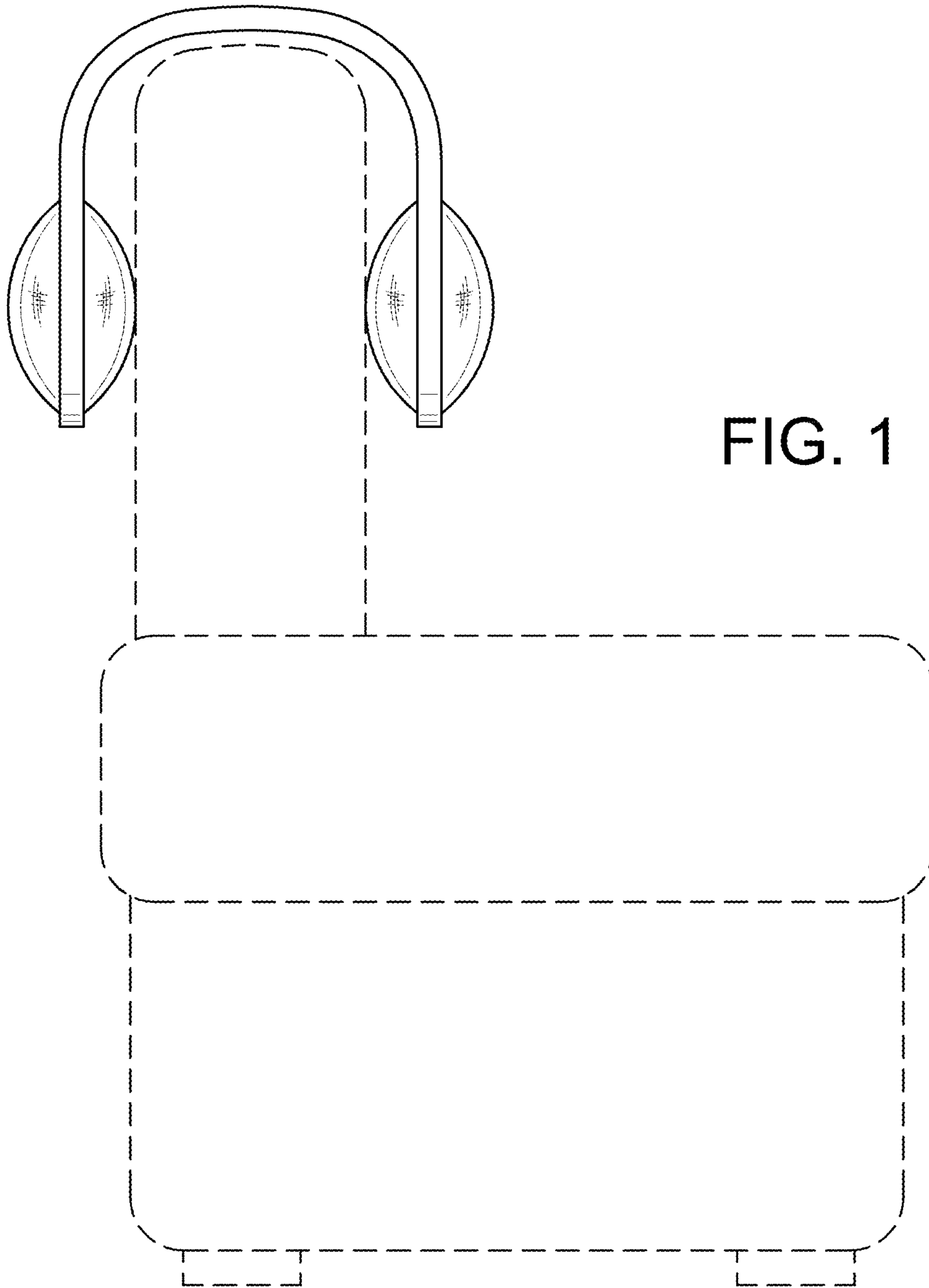
I claim the ornamental design for the dual-sided head rest pillow for attaching to chairs, as shown and described.

DESCRIPTION

FIG. 1 is a side view of the dual-sided head rest pillow for attaching to chairs.
FIG. 2 is a front view of the claimed design.
FIG. 3 is a top view of the claimed design.
FIG. 4 is a bottom view of the claimed design; and,
FIG. 5 is a perspective view of the claimed design.
The broken lines of FIG. 1 are for a chair, which is environmental matter, and forms no part of the claimed design.

1 Claim, 4 Drawing Sheets





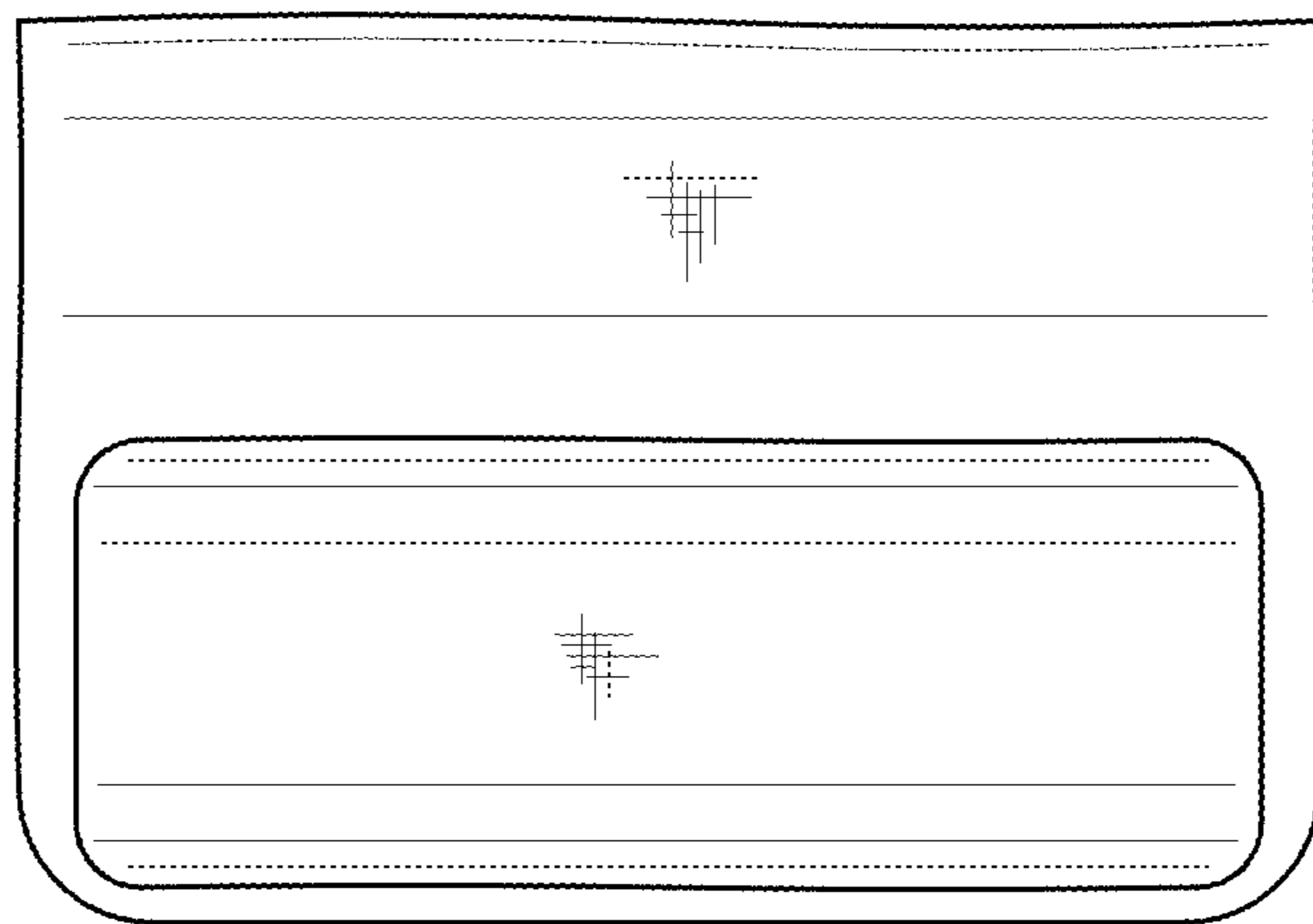


FIG. 2

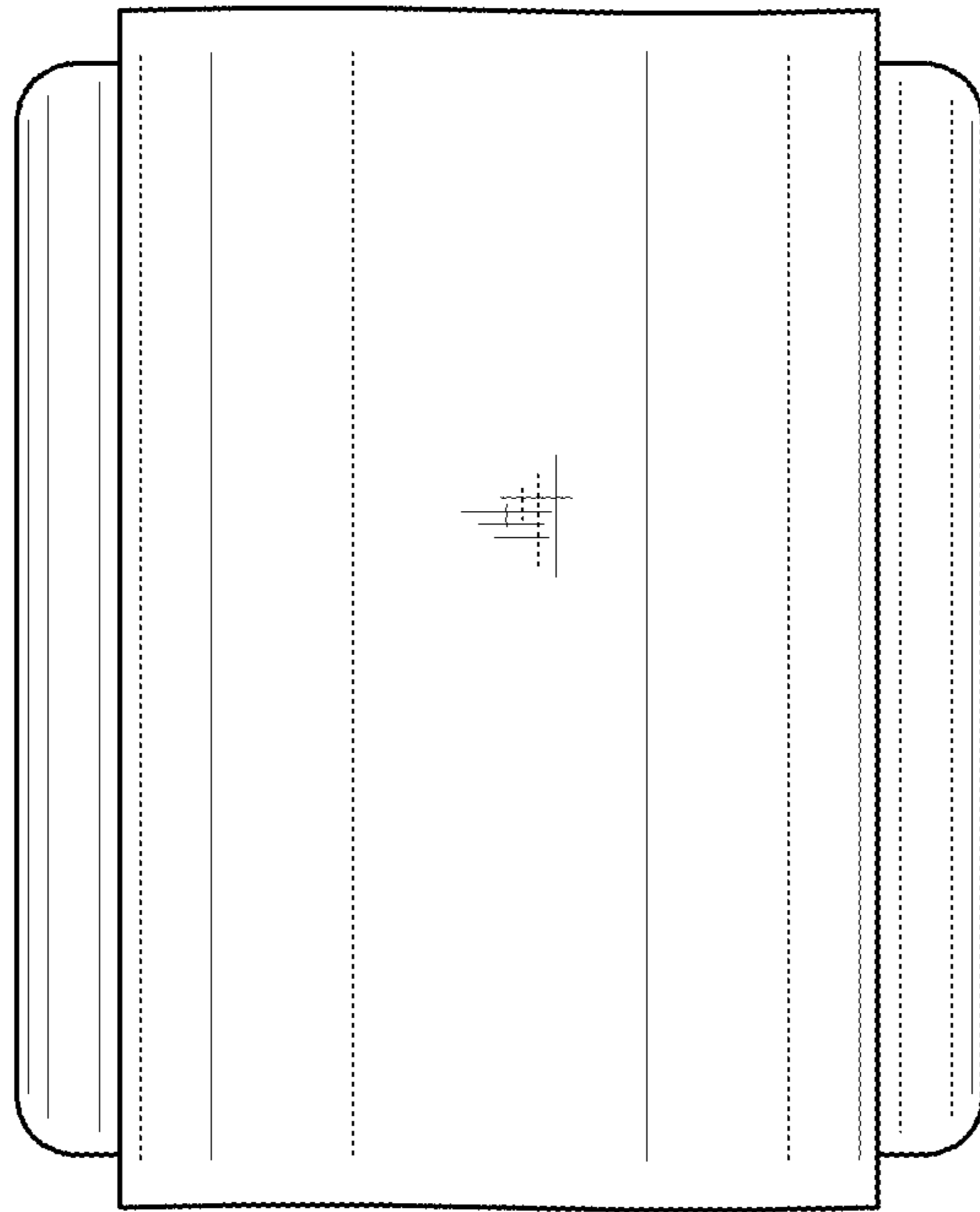


FIG. 3

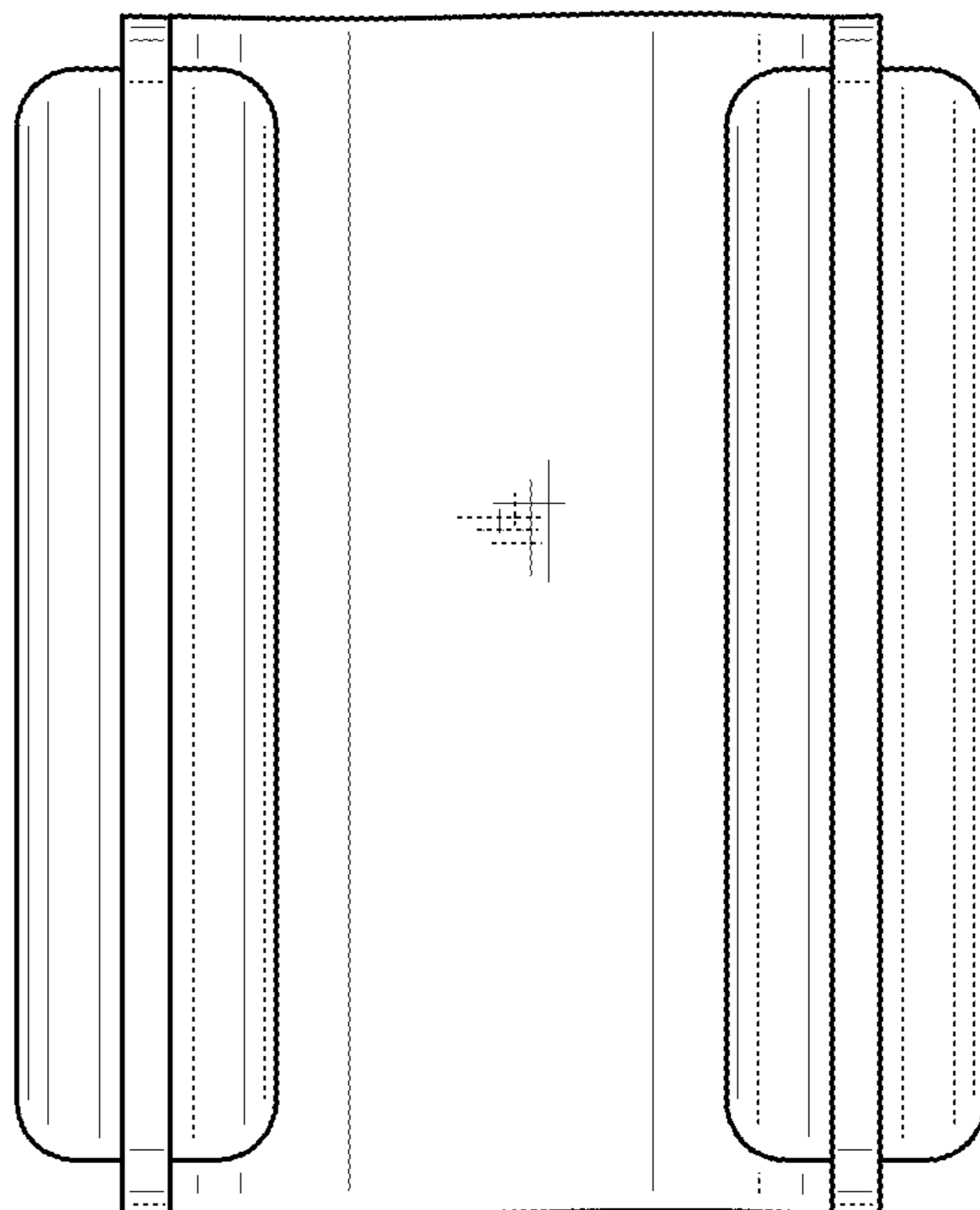


FIG. 4

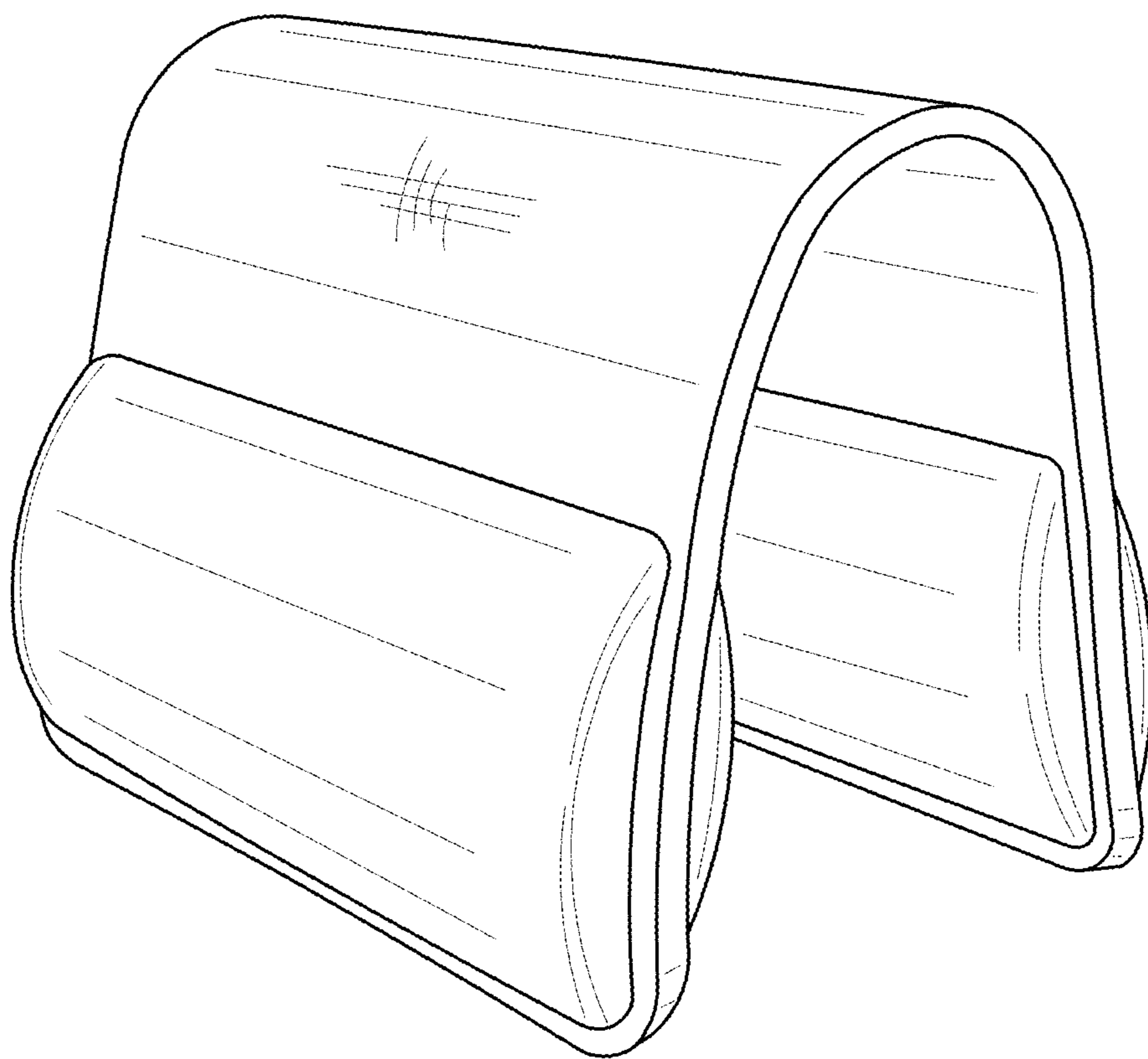


FIG. 5