



US00D746608S

(12) **United States Design Patent**
Kirar

(10) **Patent No.:** **US D746,608 S**
(45) **Date of Patent:** **** Jan. 5, 2016**

- (54) **CHAIR**
- (71) Applicant: **The McGuire Furniture Company**, San Francisco, CA (US)
- (72) Inventor: **Laura Kirar**, New York, NY (US)
- (73) Assignee: **KOHLER INTERIORS FURNITURE COMPANY**, Hickory, NC (US)
- (**) Term: **14 Years**
- (21) Appl. No.: **29/468,740**
- (22) Filed: **Oct. 2, 2013**
- (51) **LOC (10) Cl.** **06-01**
- (52) **U.S. Cl.**
USPC **D6/364**
- (58) **Field of Classification Search**
USPC D6/334–336, 360–381, 388, 716,
D6/716.1–716.4
CPC A47C 1/00; A47C 4/02; A47C 4/03;
A47C 4/04; A47C 7/021; A47C 7/18
See application file for complete search history.

D541,543 S *	5/2007	Doughty	D6/369
D554,872 S *	11/2007	Wimberger	D6/334
D596,414 S *	7/2009	Natuzzi	D6/334
D643,224 S *	8/2011	Sofield	D6/334
D661,507 S *	6/2012	Grotta et al.	D6/369
D722,441 S *	2/2015	Kirar	D6/334

* cited by examiner

Primary Examiner — Ricky Pham

(74) *Attorney, Agent, or Firm* — Foley & Lardner LLP

(57) **CLAIM**

I claim the ornamental design for a chair, as shown and described.

DESCRIPTION

FIG. 1 is a top, front, right perspective view of an embodiment;
 FIG. 2 is a front elevation view thereof;
 FIG. 3 is a rear elevation view thereof;
 FIG. 4 is a right elevation view thereof;
 FIG. 5 is a left elevation view thereof;
 FIG. 6 is a top plan view thereof; and,
 FIG. 7 is a bottom plan view thereof.

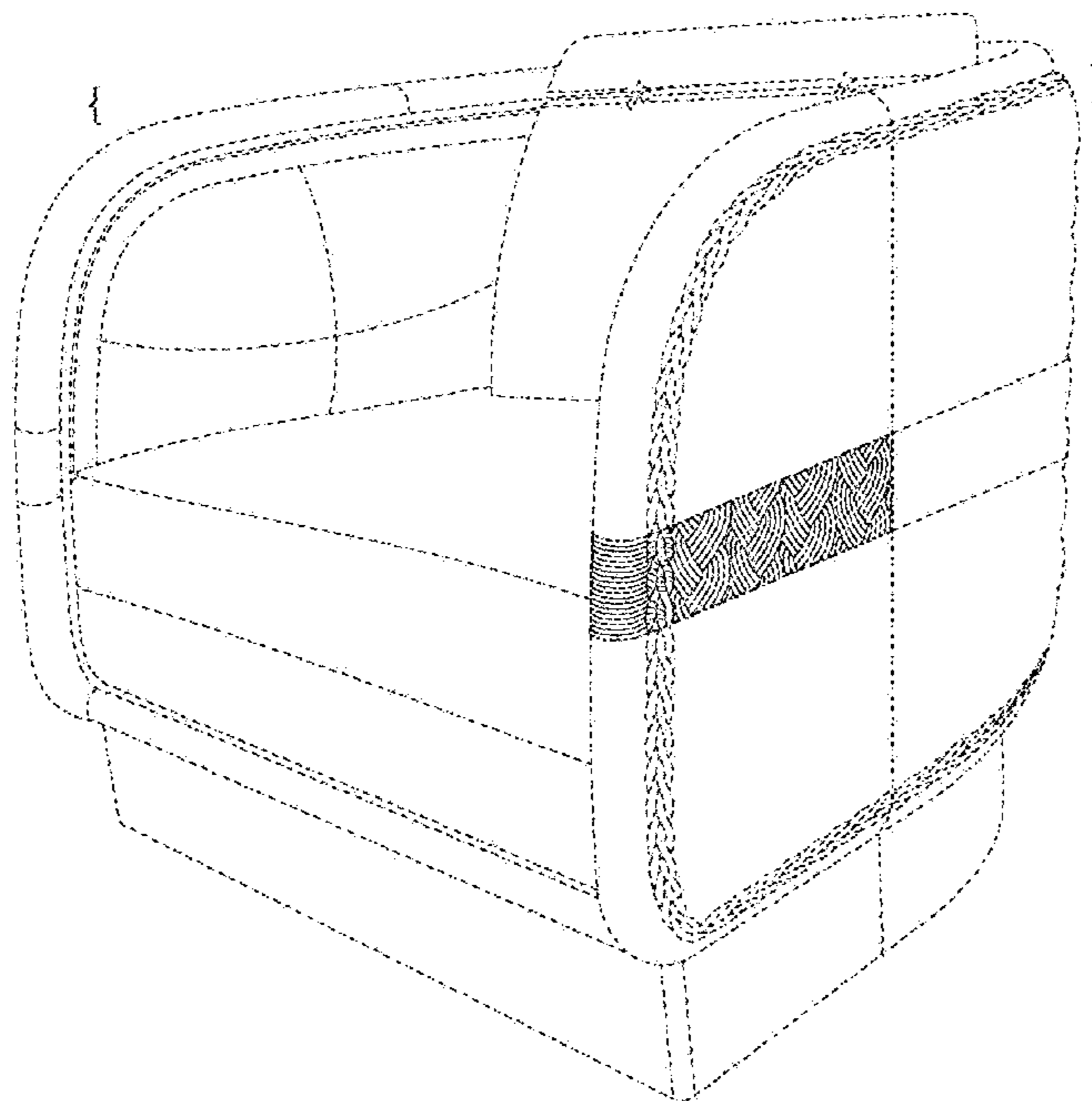
The ornamental design which is claimed is shown in solid lines in the drawings. The broken lines in the drawings are for illustrative purposes only and form no part of the claimed design. Broken lines formed by equal length dashes show unclaimed portions of the design. Broken lines formed of unequal length dashes (i.e., dash-dot) show boundaries between claimed and unclaimed portions of the design. Lines having a jagged element are not part of the claimed design and show that no particular length of the portion is claimed.

1 Claim, 7 Drawing Sheets

(56) **References Cited**

U.S. PATENT DOCUMENTS

D234,330 S *	2/1975	Rocchia	D6/369
D286,587 S *	11/1986	Culler	D6/334
D332,183 S *	1/1993	White	D6/369
D410,800 S *	6/1999	Gomez	D6/369
D412,408 S *	8/1999	Navone	D6/369
D422,422 S *	4/2000	Black	D6/369
D430,973 S *	9/2000	Frankel et al.	D6/334



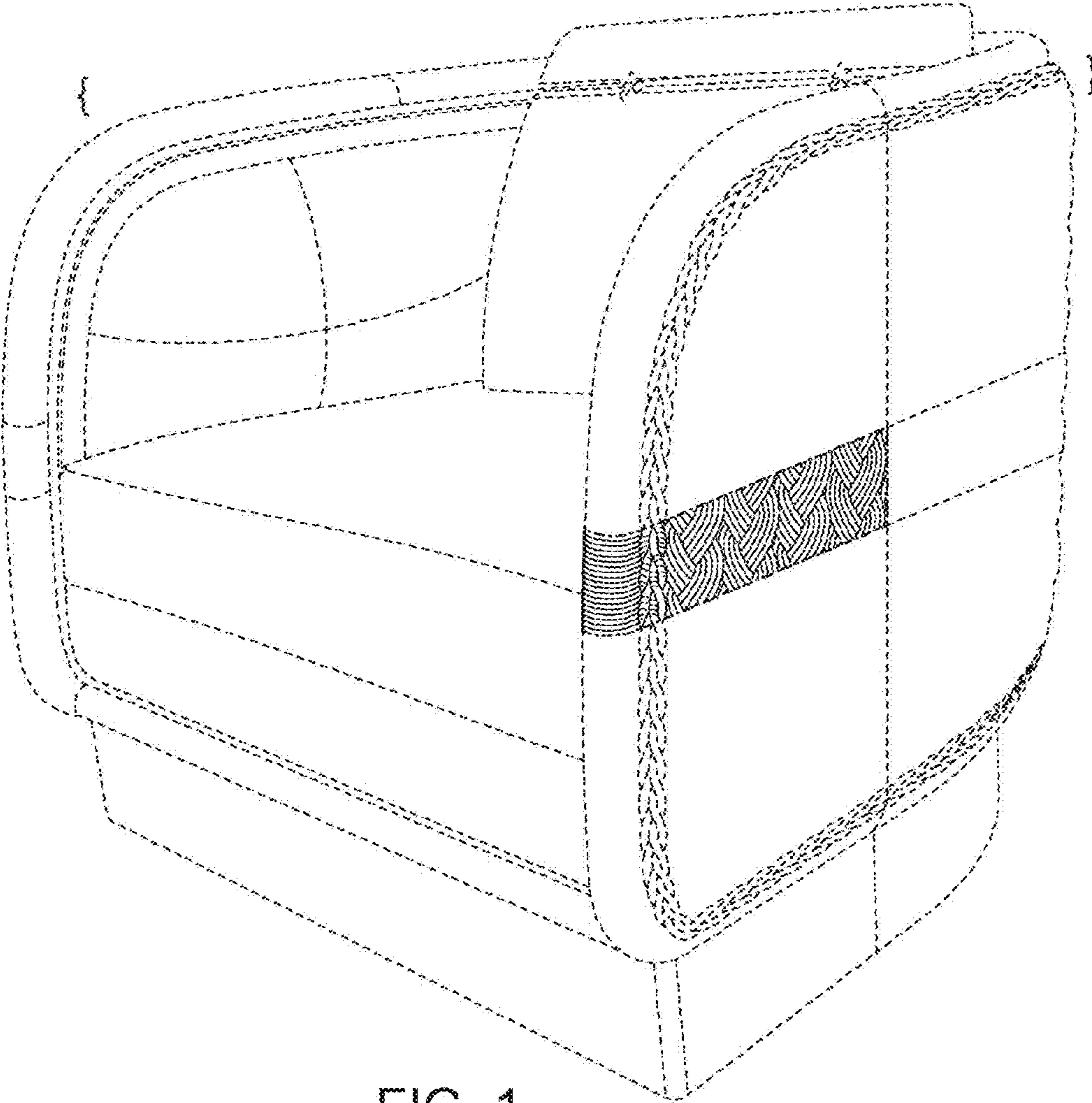


FIG. 1

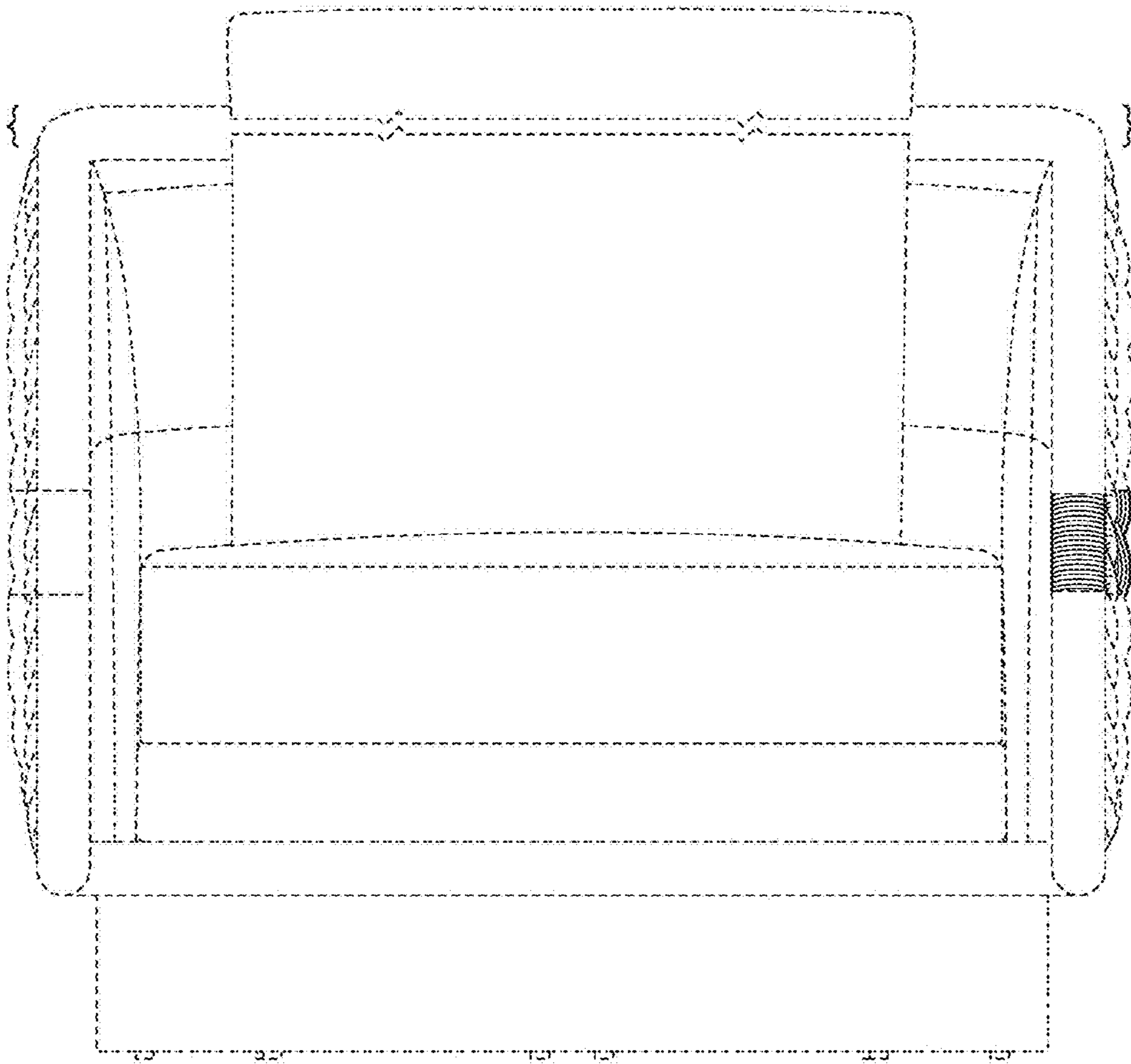


FIG. 2

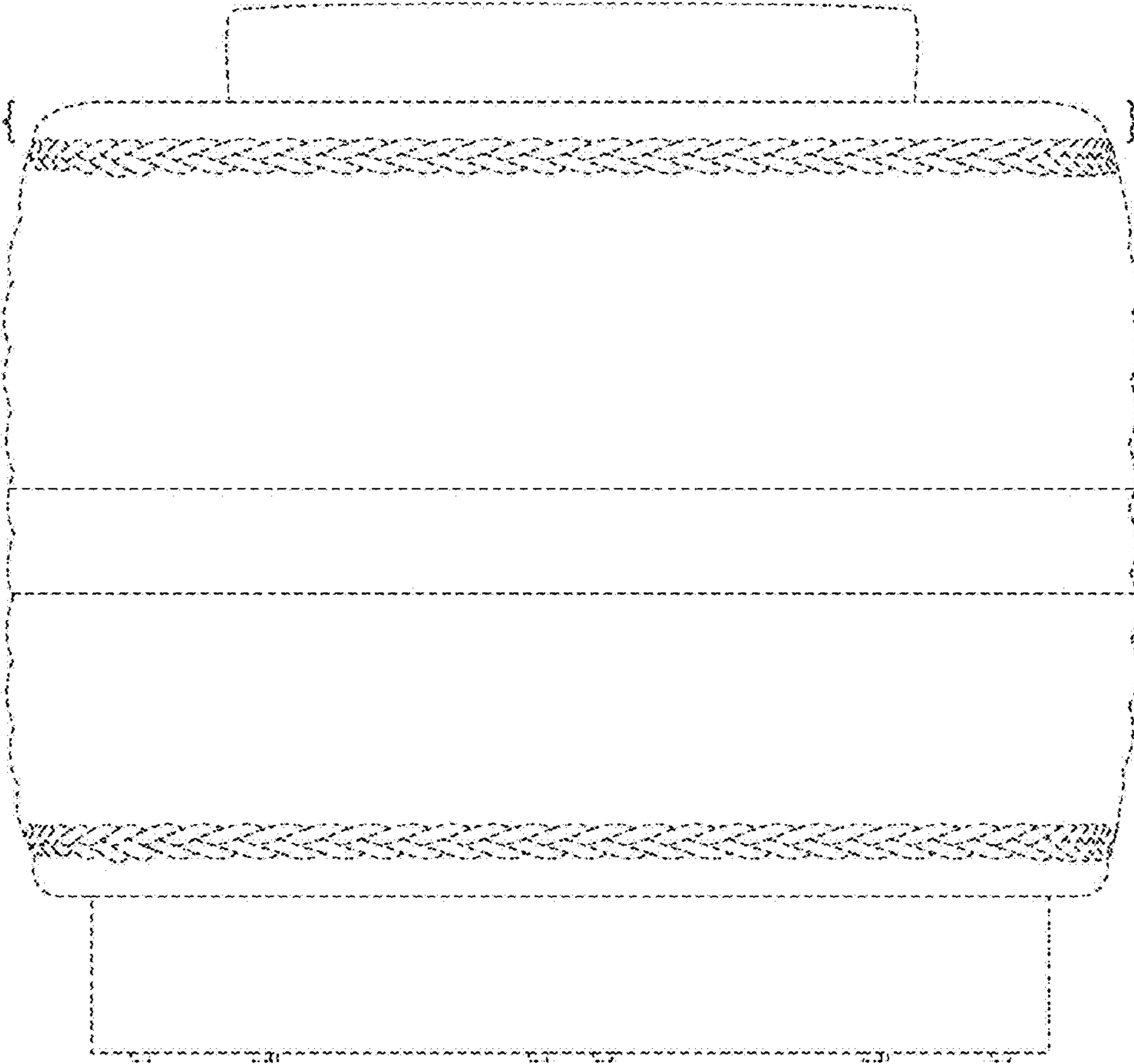


FIG. 3

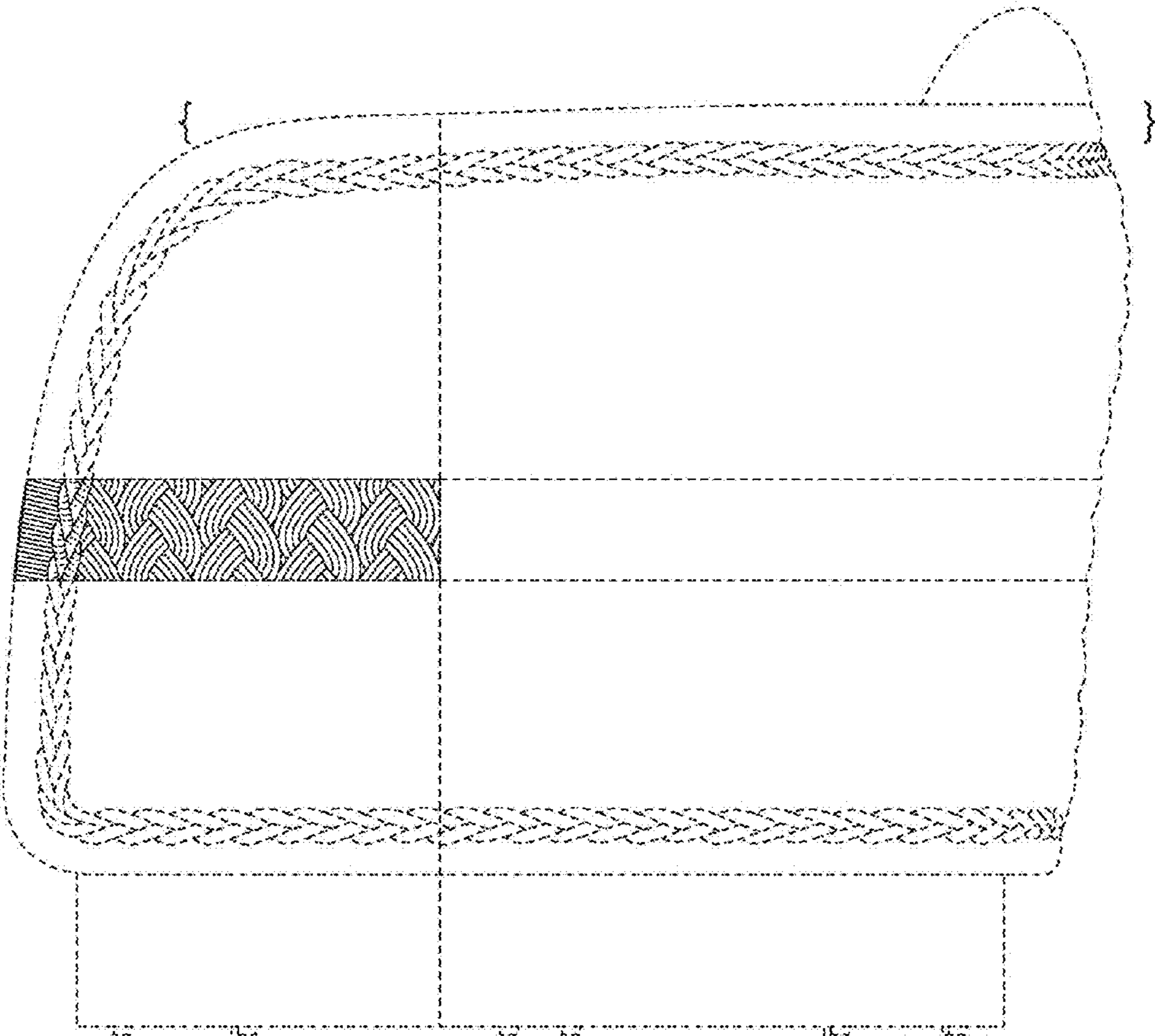


FIG. 4

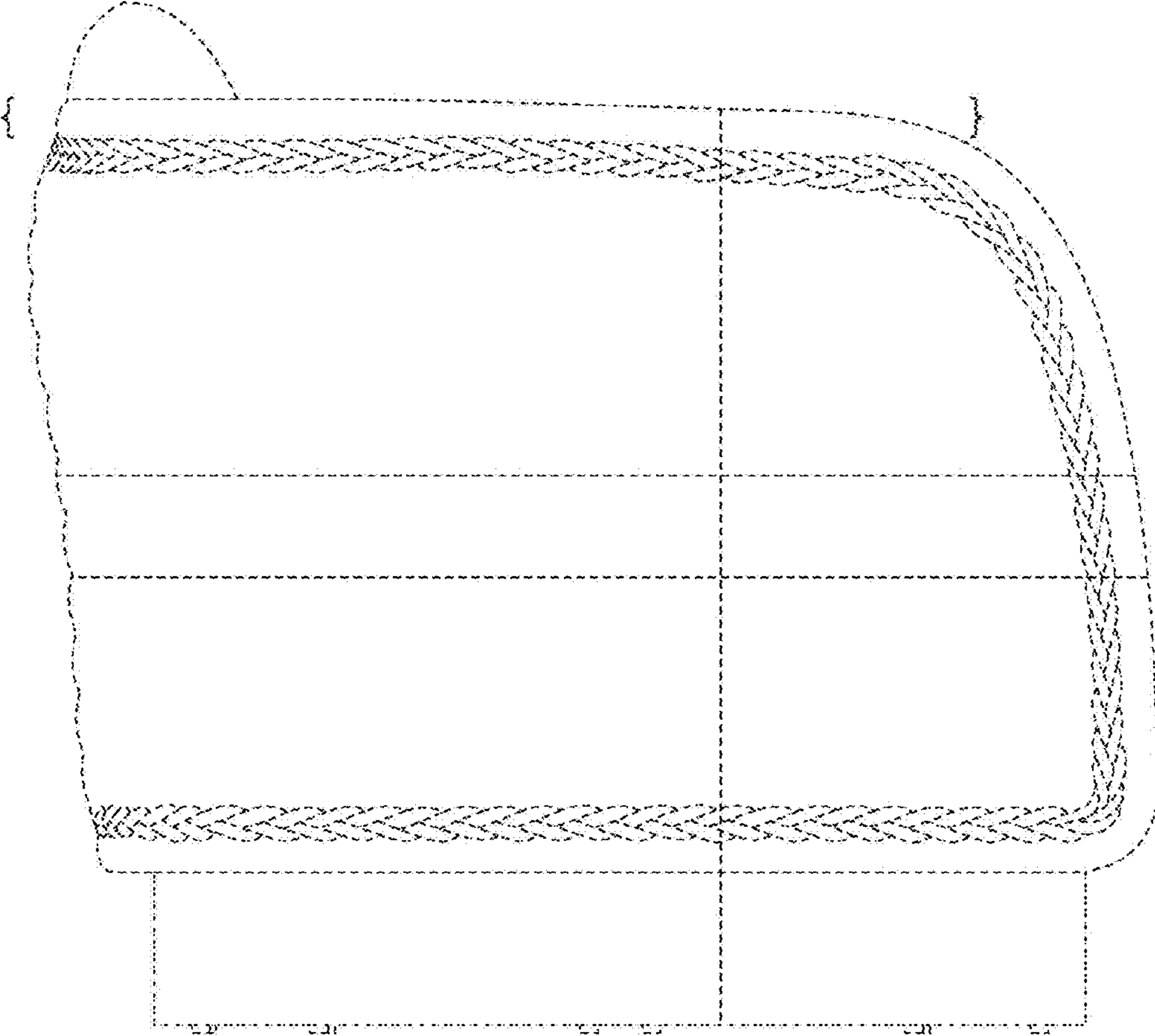


FIG. 5

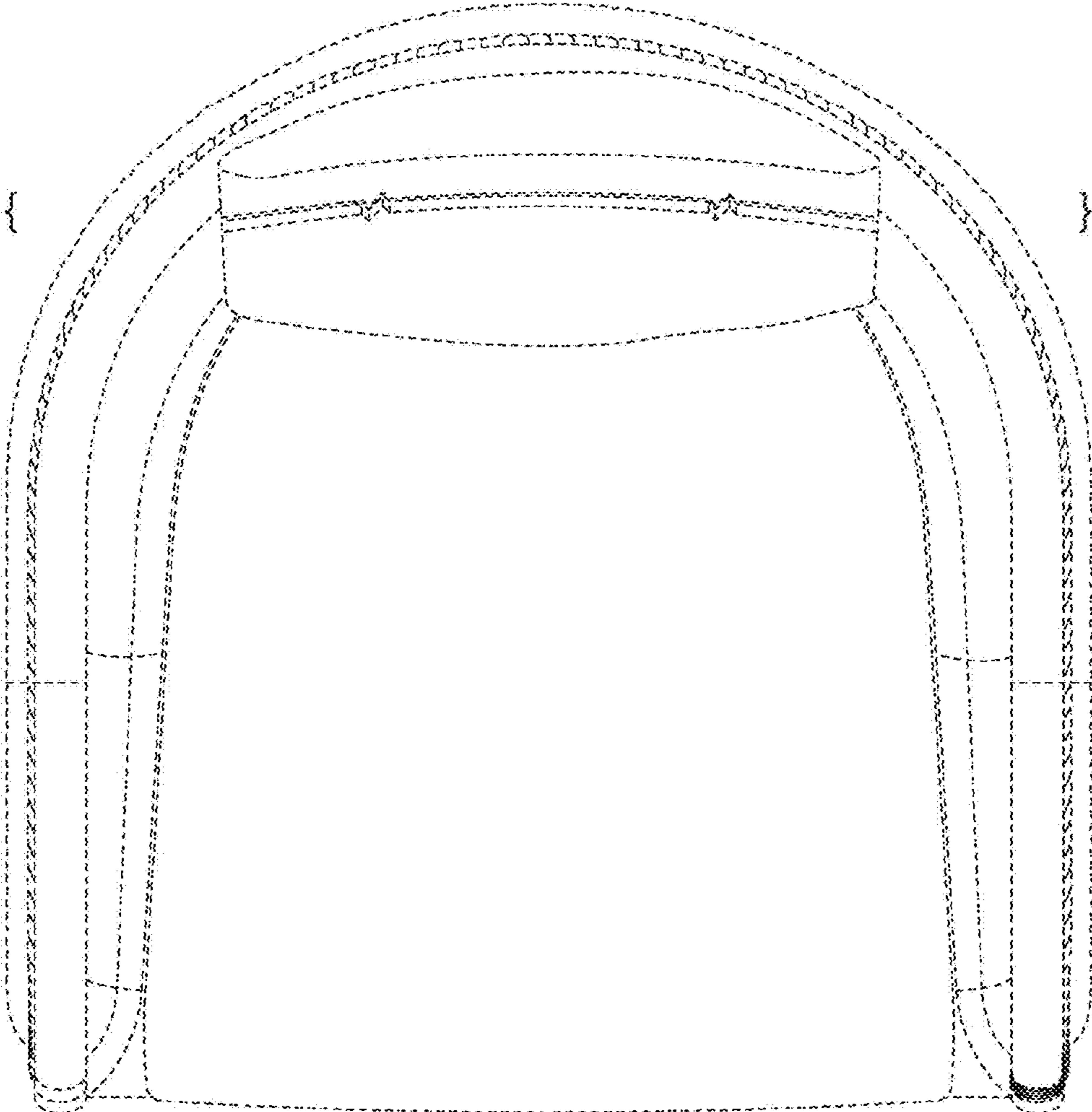


FIG. 6

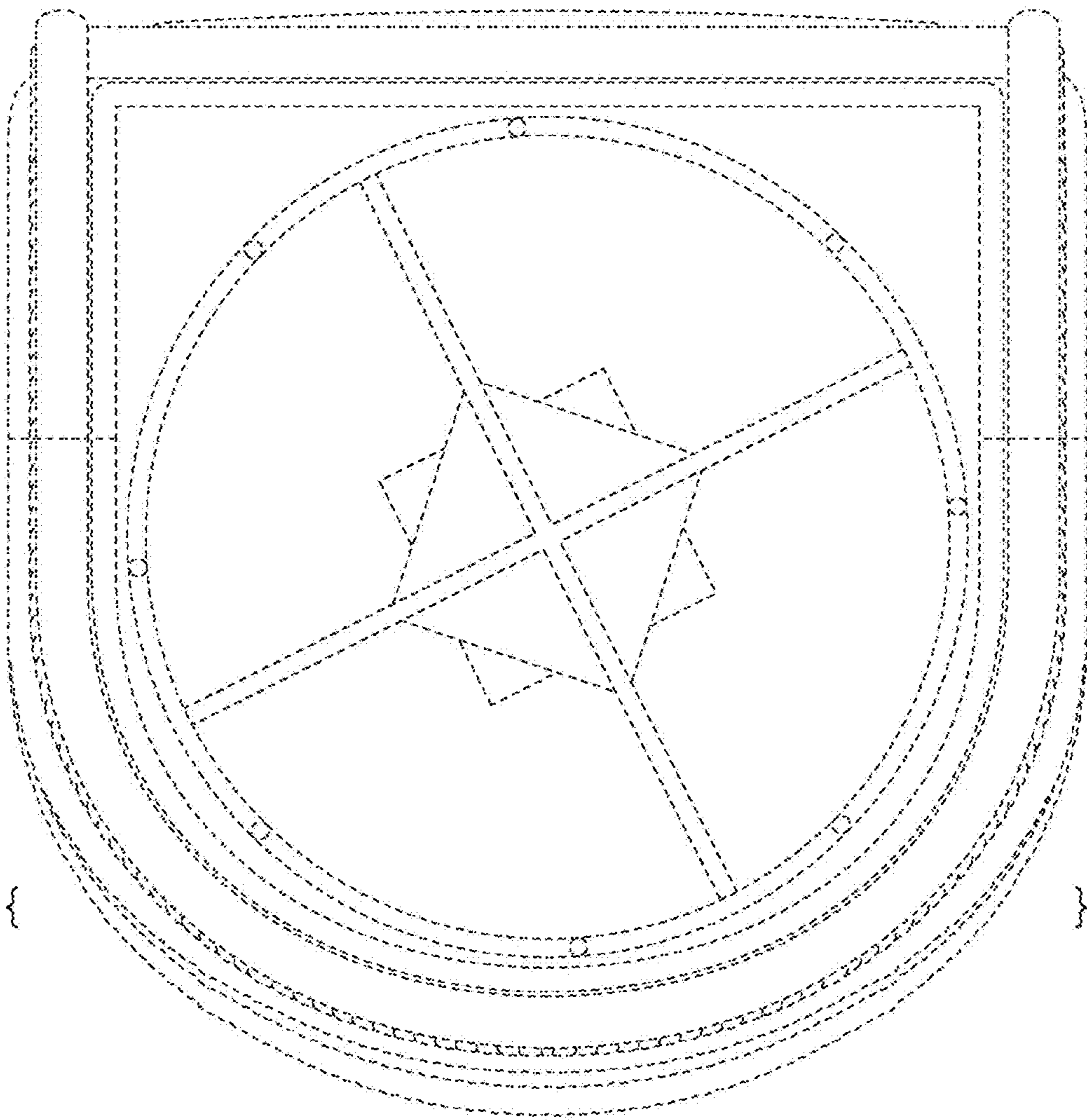


FIG. 7