



US00D746606S

(12) **United States Design Patent**
Jaap

(10) **Patent No.:** **US D746,606 S**
(45) **Date of Patent:** **** Jan. 5, 2016**

(54) **CORNER STEP STOOL**

(71) Applicant: **David M. Jaap**, Rockwell, NC (US)

(72) Inventor: **David M. Jaap**, Rockwell, NC (US)

(**) Term: **14 Years**

(21) Appl. No.: **29/500,343**

(22) Filed: **Aug. 25, 2014**

(51) **LOC (10) Cl.** **06-01**

(52) **U.S. Cl.**
USPC **D6/350**

(58) **Field of Classification Search**

USPC D6/333, 335, 340, 344, 347, 349-355,
D6/358, 360, 363-365, 381, 596, 601, 648,
D6/662.1, 672-673, 675.3, 678.2, 677,
D6/685, 687, 688.15, 688.27, 690, 691, 69,
D6/2.1-692.3, 695.1, 708.16, 708.2, 709,
D6/709.2, 709.22, 711, 716-716.7, 717;
D25/63-65
CPC A47C 1/14; A47C 3/16-3/20; A47C 4/00;
A47C 4/28; A47C 5/02; A47C 5/04; A47C
5/043; A47C 7/00-7/006; A47C 7/02; A47C
9/00; A47C 9/02; A47C 9/002; A47C 9/007;
A47C 9/025; A47C 9/10; A47C 11/00;
A47C 12/00; A47C 13/00; A47C 16/02;
A47B 7/00-7/02; A47B 45/00; A47B
47/04-47/045; A47B 3/12

See application file for complete search history.

(56) **References Cited**

U.S. PATENT DOCUMENTS

D111,519 S *	9/1938	McCune	D6/474
D239,902 S *	5/1976	Goulder	D6/672
D303,879 S *	10/1989	Williams	D6/673
D394,755 S *	6/1998	Willis	D6/352
D430,679 S *	9/2000	Rodgers	D25/63
D520,267 S *	5/2006	Berger et al.	D6/678.2
D562,594 S *	2/2008	Thompson	D6/675.3
D649,371 S *	11/2011	Wilcox et al.	D6/350

OTHER PUBLICATIONS

The Columbu Cornerstep Step Stool. [online] Retrieved Jul. 22, 2015 from URL: <<https://www.etsy.com/listing/224518739/the-columbu-cornerstep-step-stool>>.*

* cited by examiner

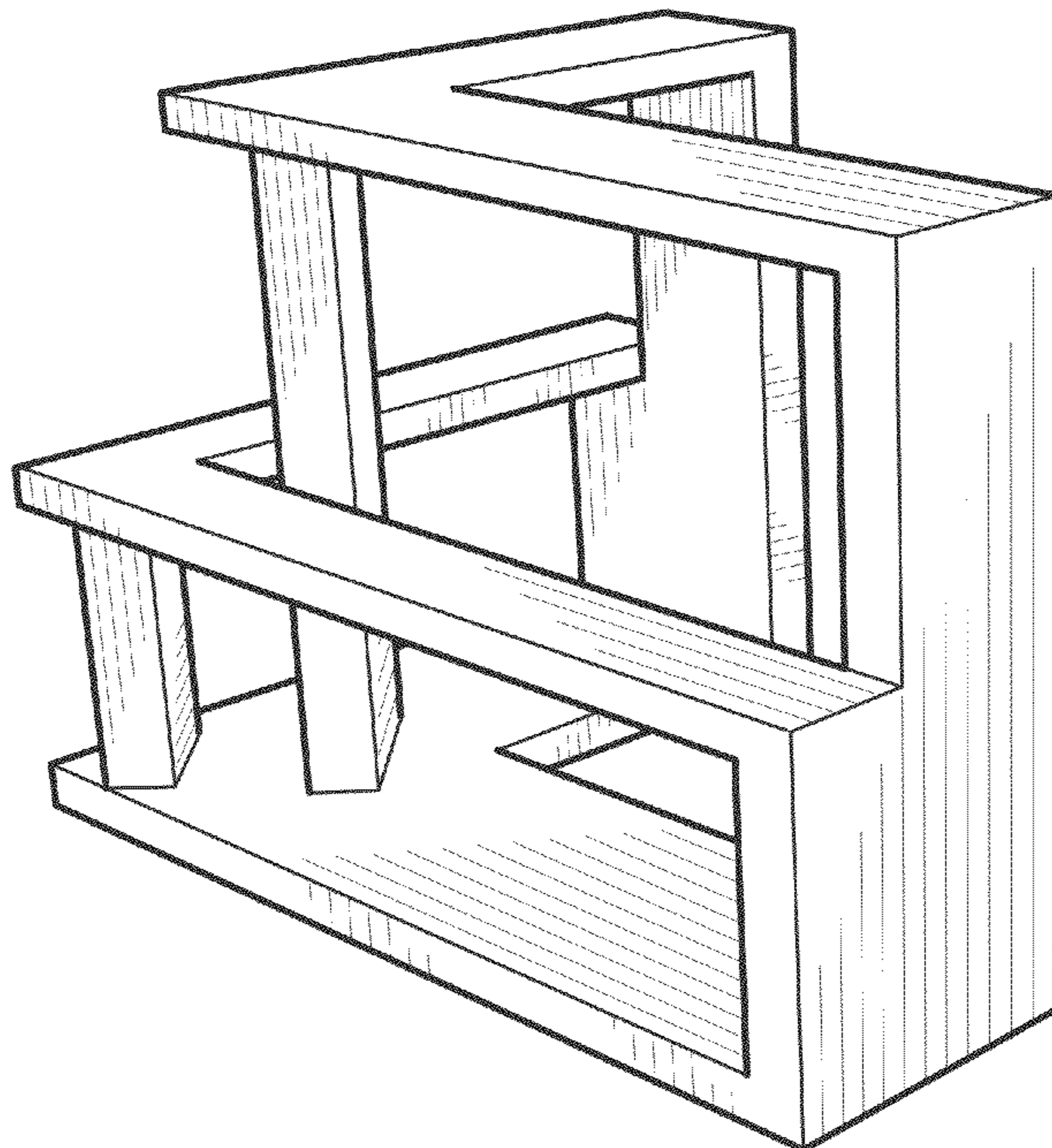
Primary Examiner — Susan Bennett Hattan
Assistant Examiner — Vy Koenig
(74) *Attorney, Agent, or Firm* — Schwartz Law Firm, P.C.

(57) **CLAIM**
The ornamental design for a corner step stool.

DESCRIPTION

FIG. 1 is a front and right perspective view of the corner step stool showing my new design;
FIG. 2 is a back and left perspective view of the corner step stool;
FIG. 3 is a top view of the corner step stool;
FIG. 4 is a bottom view of the corner step stool;
FIG. 5 is a front view of the corner step stool;
FIG. 6 is a back view of the corner step stool;
FIG. 7 is a left side view of the corner step stool; and,
FIG. 8 is a right side view of the corner step stool.

1 Claim, 4 Drawing Sheets



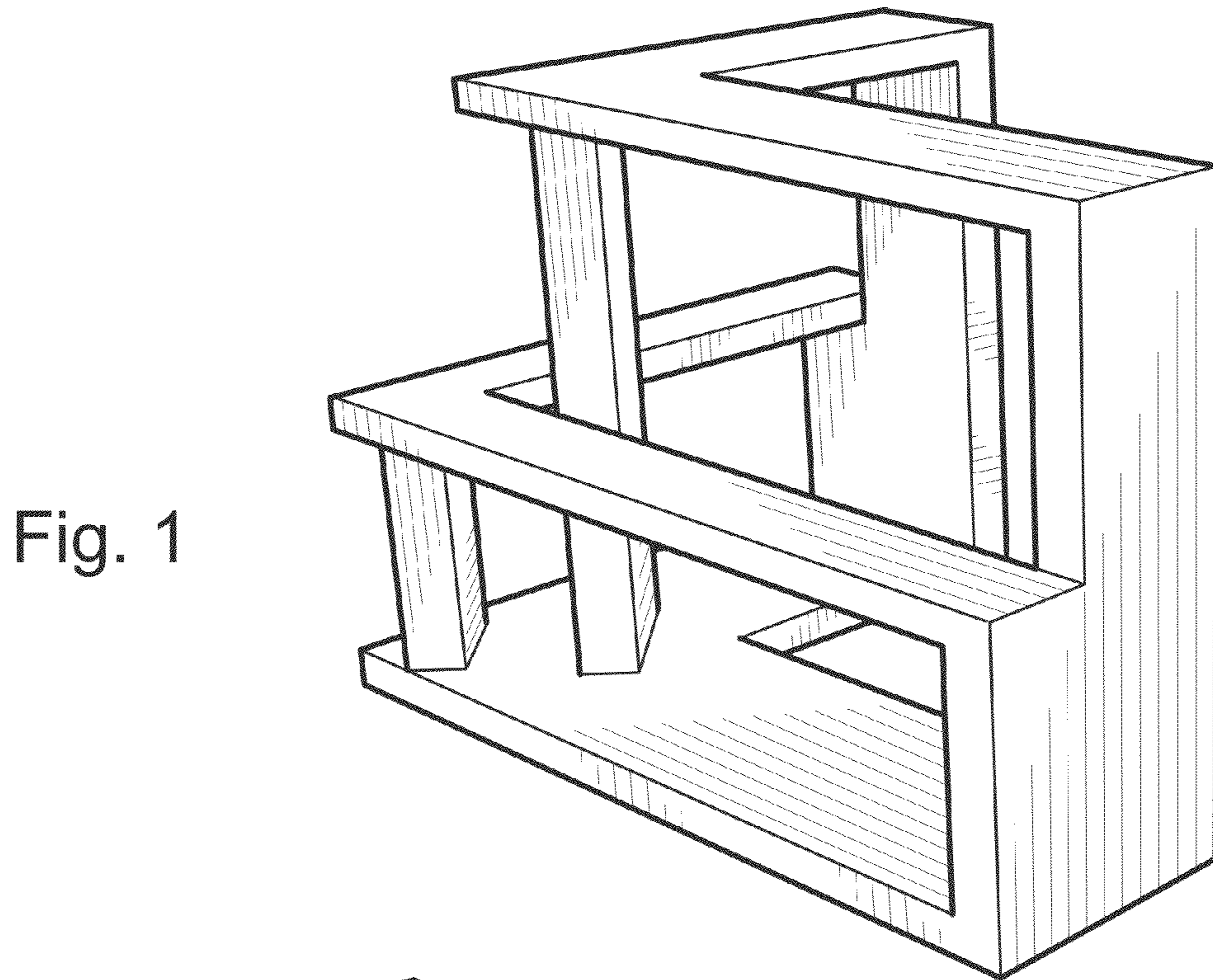


Fig. 1

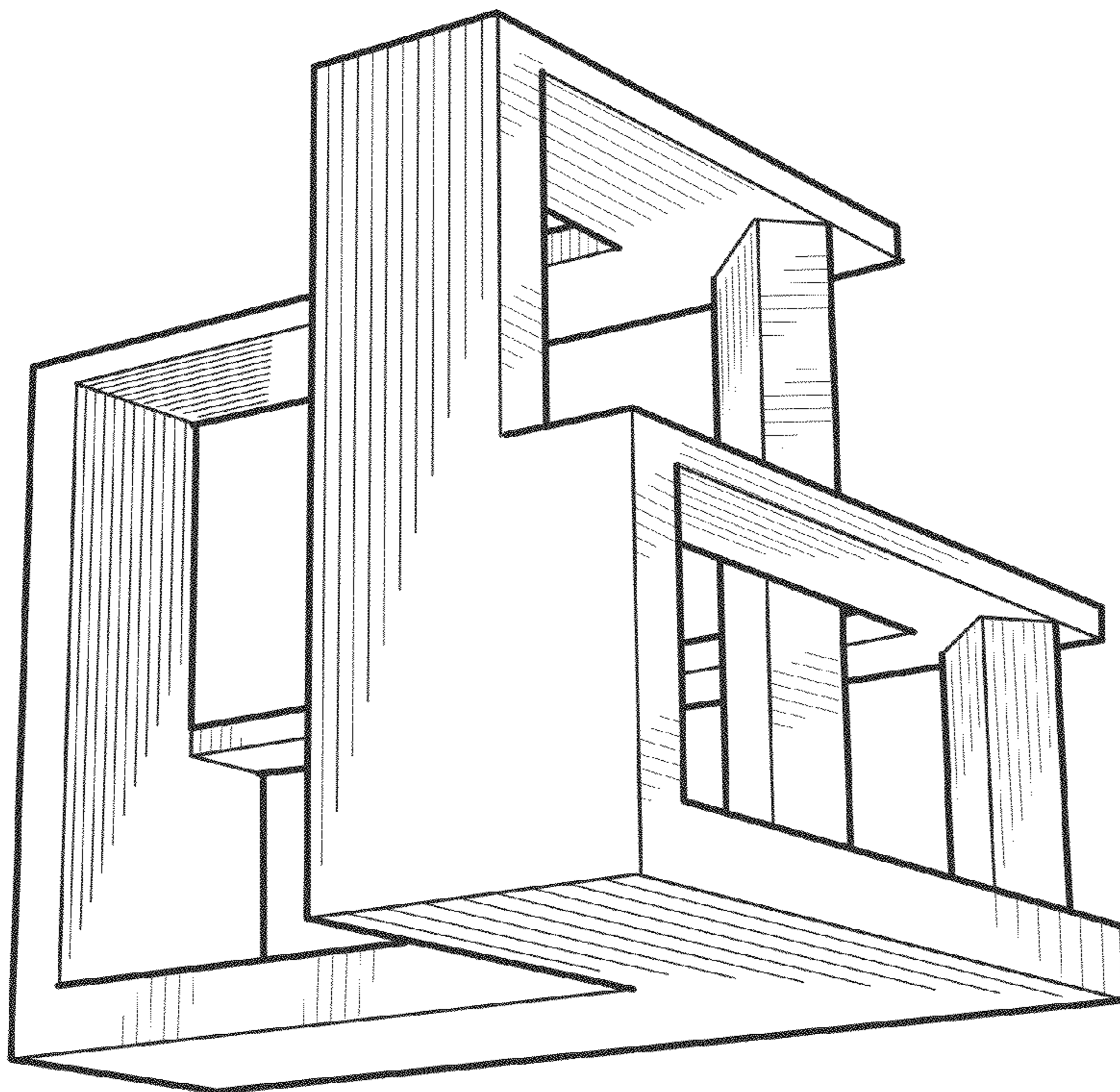


Fig. 2

Fig. 3

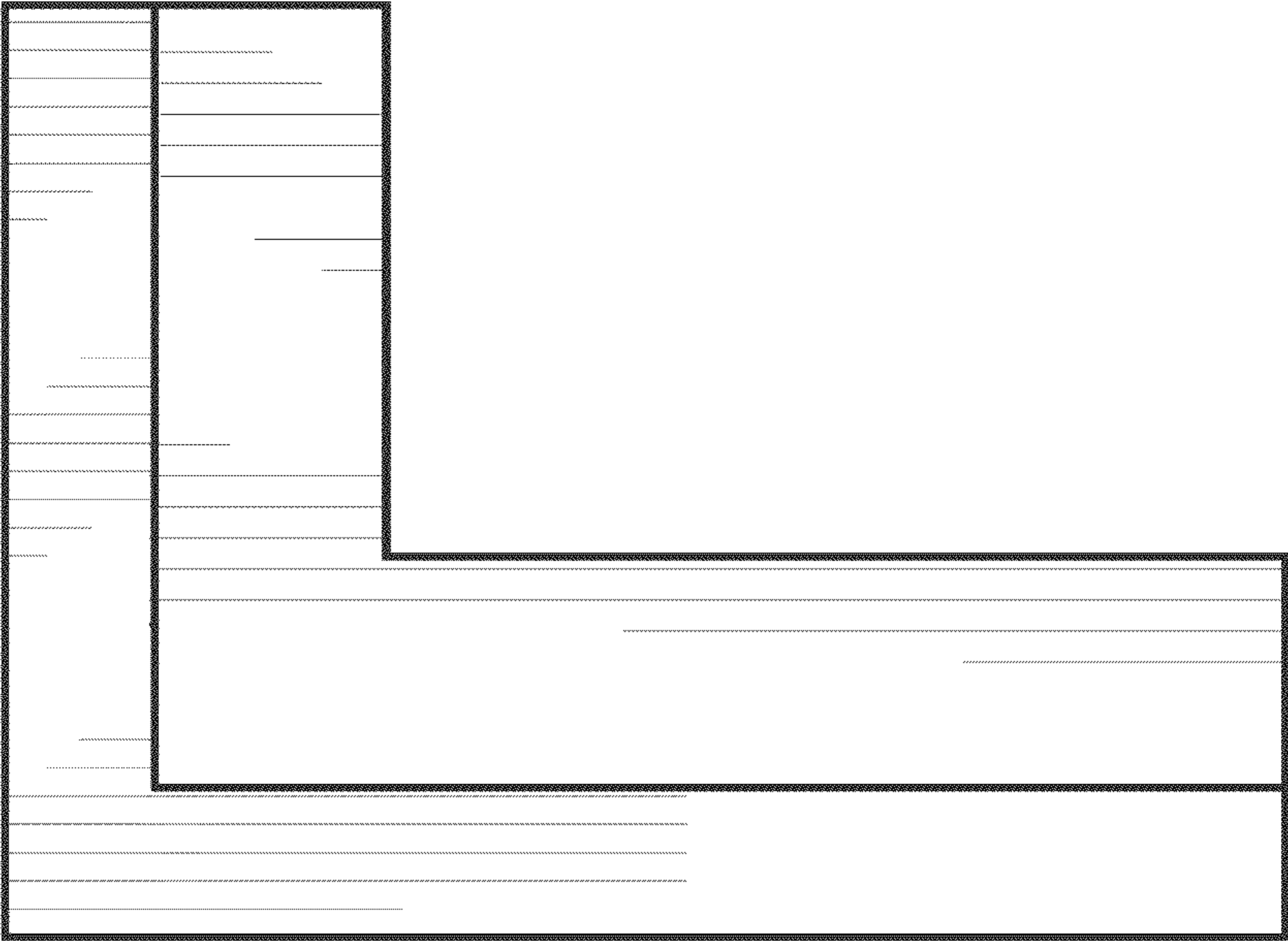
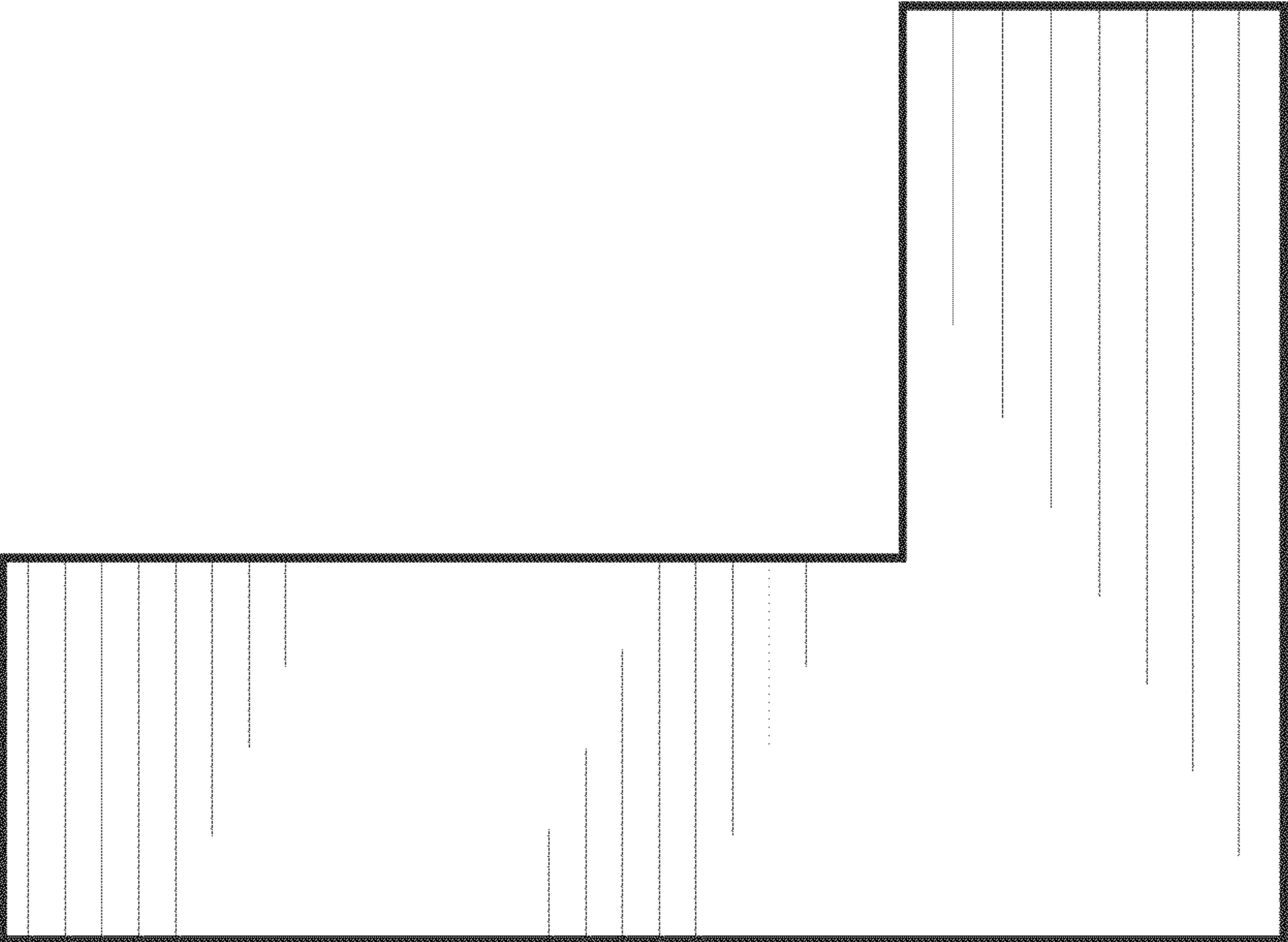


Fig. 4



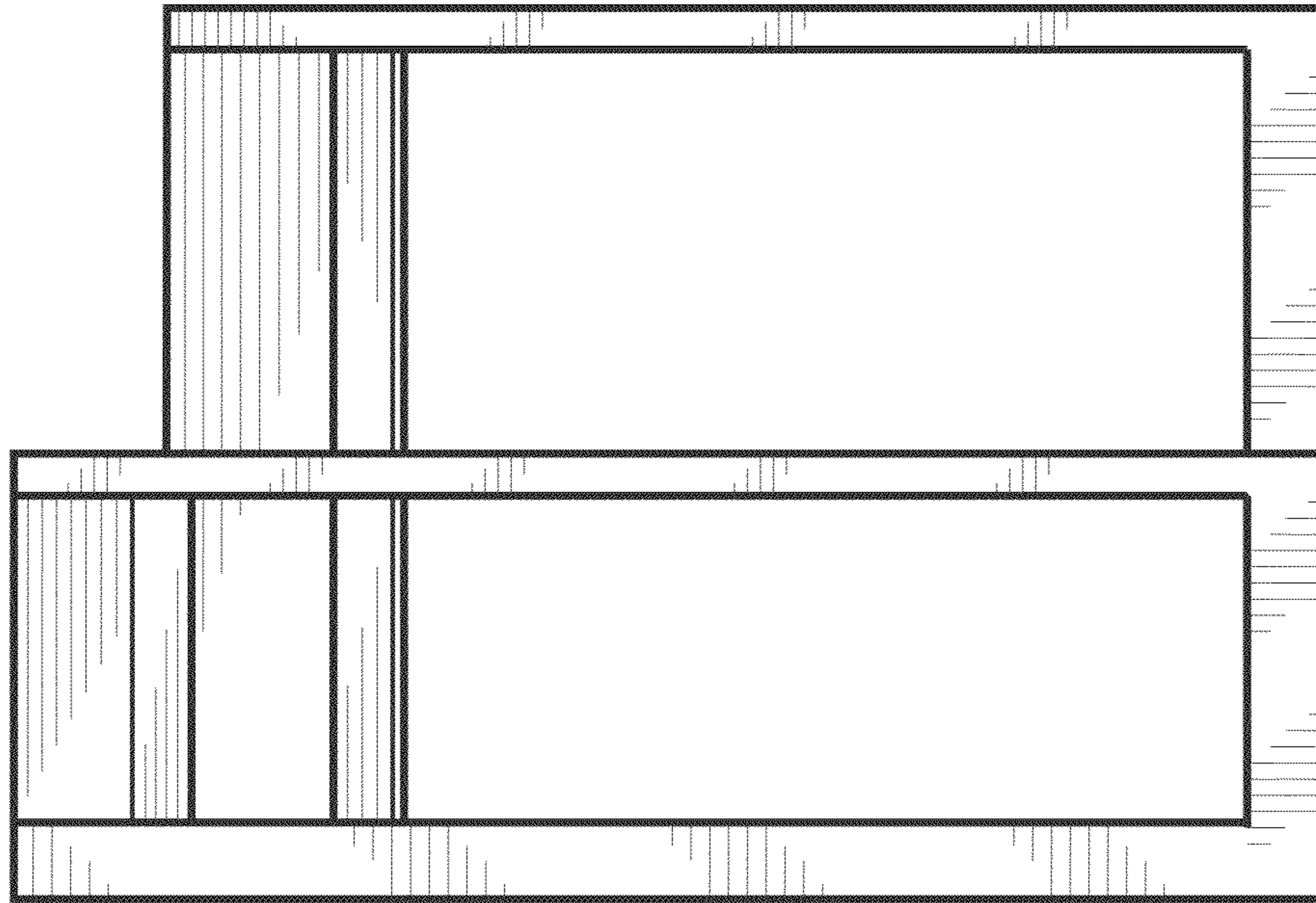


Fig. 5

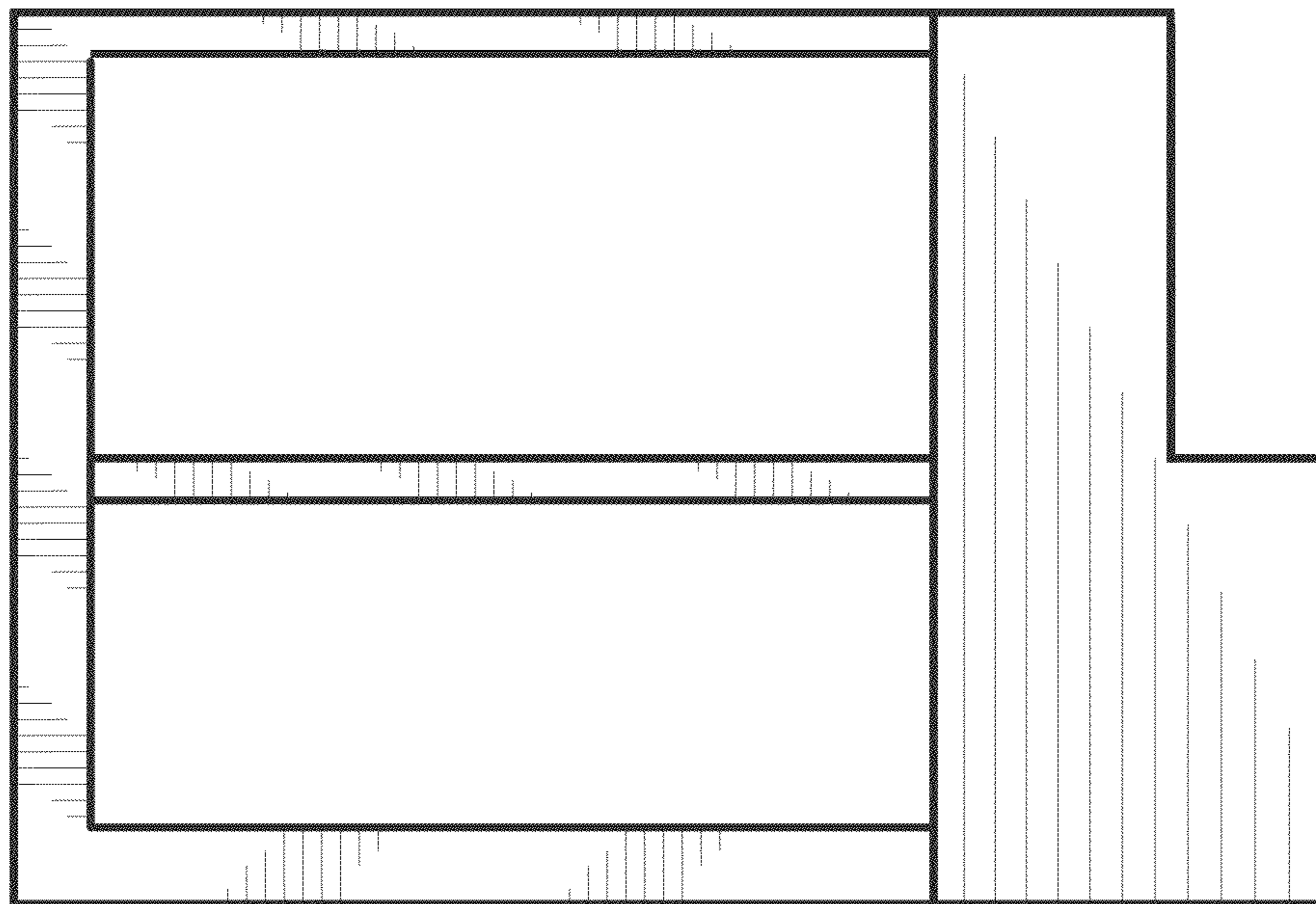


Fig. 6

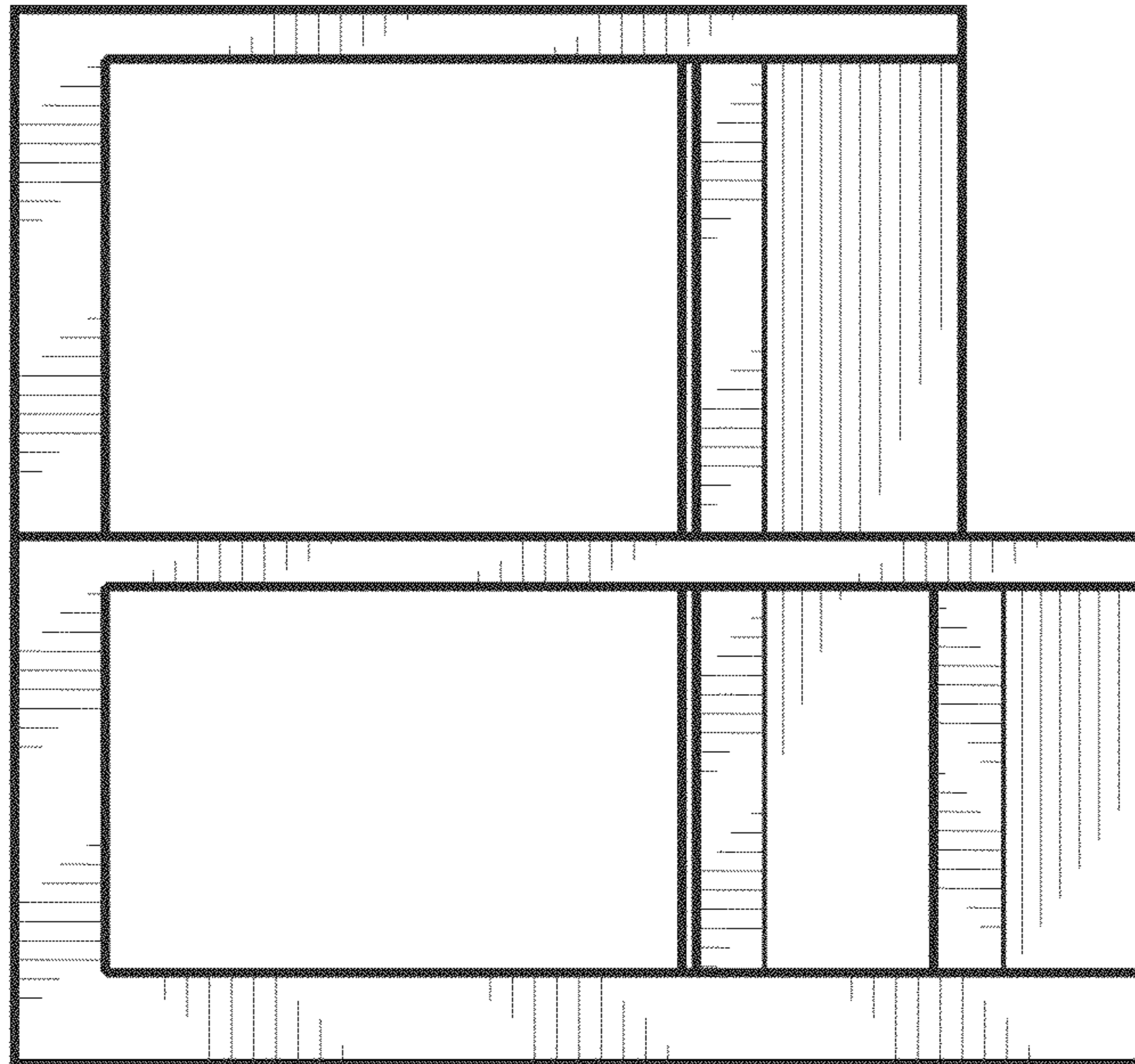


Fig. 7

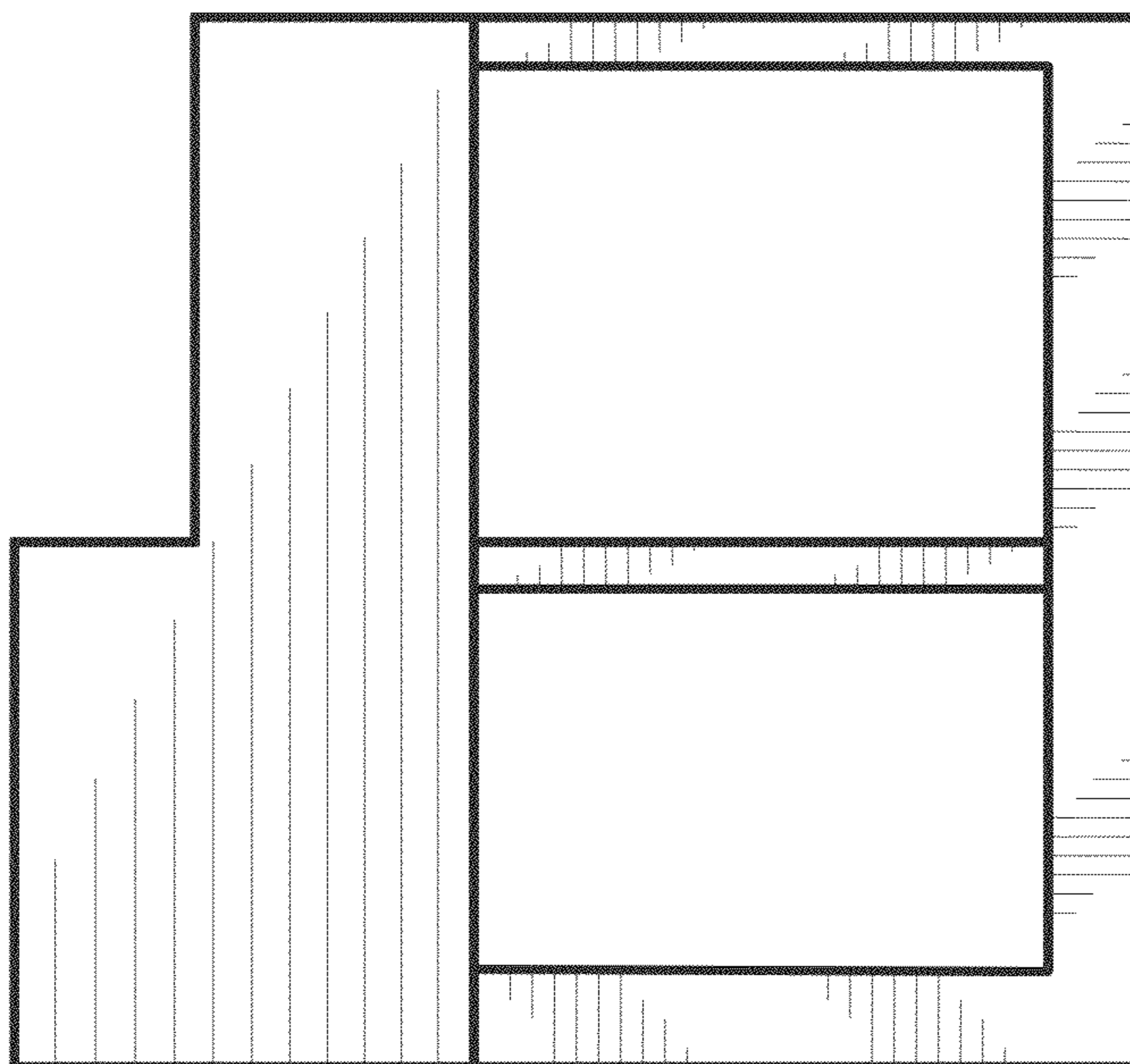


Fig. 8