



US00D746602S

(12) **United States Design Patent**
Olson et al.

(10) **Patent No.:** **US D746,602 S**
(45) **Date of Patent:** **** Jan. 5, 2016**

(54) **DISPLAY BASE**

(71) Applicant: **3M INNOVATIVE PROPERTIES COMPANY**, St. Paul, MN (US)
(72) Inventors: **Judd D. Olson**, Deephaven, MN (US);
Thomas W. Floyd, St. Paul, MN (US);
Kevin E. Kinzer, Forest Lake, MN (US);
Stephan A. Hawthorne, St. Paul, MN (US)

(73) Assignee: **3M INNOVATIVE PROPERTIES COMPANY**, St. Paul, MN (US)

(**) Term: **14 Years**

(21) Appl. No.: **29/521,021**

(22) Filed: **Mar. 19, 2015**

(51) **LOC (10) Cl.** **06-07**

(52) **U.S. Cl.**
USPC **D6/300**

(58) **Field of Classification Search**
USPC D6/300-314, 553; D9/432, 433, 424, D9/430, 414, 415, 418, 737, 740, 743-745, D9/759, 760; D7/354, 553.3, 553.2; 248/467; D10/21, 24, 25; D11/131, D11/132, 140; 428/900; 40/711, 730, 754, 40/746, 757, 461, 781, 597, 600; D14/315-318, 341-344, 129, 130, 496, D14/137
CPC A47G 1/06; A47G 1/142; A47G 1/0616; A47G 1/0638; A47G 1/065; A47G 1/1686; A47G 1/17; A47G 2001/0666; A47G 2001/0672; B65D 2543/00194; B65D 2543/00092; B65D 2543/00101; B65D 2543/00157; A21B 3/13; G09F 19/22; G09F 15/0018; G09F 13/0404; G06F 2200/1633
See application file for complete search history.

(56) **References Cited**

U.S. PATENT DOCUMENTS

254,761 A * 3/1882 Zinn et al. A47G 1/06
40/790
356,328 A * 1/1887 Peters A47G 1/06
40/798
D32,732 S * 5/1900 Kniper D6/300
D36,529 S * 8/1903 Balinski D6/300
1,610,423 A 12/1926 Cawley
D167,977 S * 10/1952 Francis D9/414

(Continued)

FOREIGN PATENT DOCUMENTS

WO 96/16580 6/1996

OTHER PUBLICATIONS

Woodford Design Wallmount, available Apr. 17, 2013, [online], [site visited Aug. 21, 2015]. Available from internet, <URL: http://www.woodforddesign.com/products/wallmount.*

(Continued)

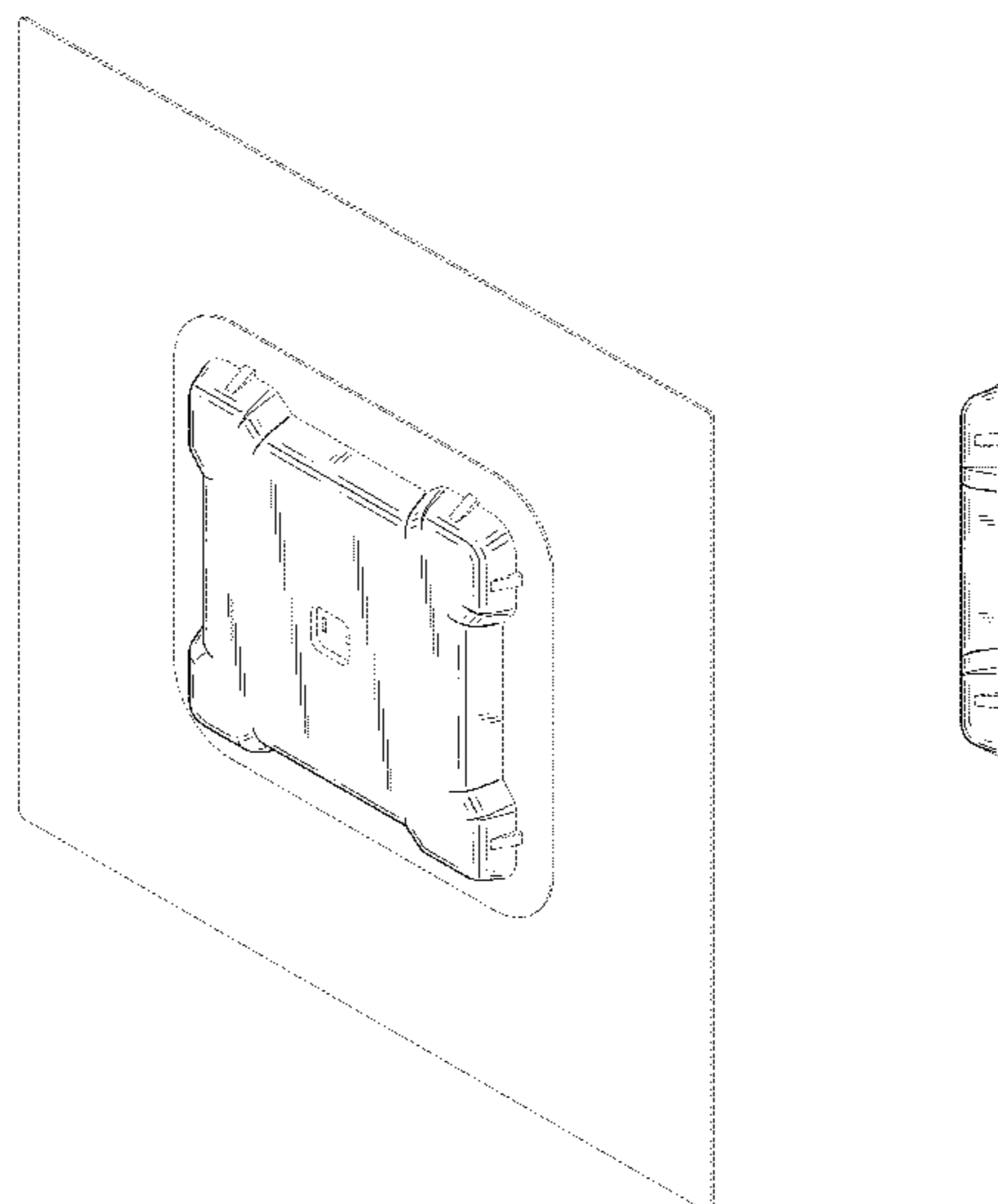
Primary Examiner — Cathron Brooks
Assistant Examiner — Teddy Falloway
(74) *Attorney, Agent, or Firm* — Irina Hass

(57) **CLAIM**
The ornamental design for a display base, as shown and described.

DESCRIPTION

FIG. 1 is a perspective view showing the new design for a display base;
FIG. 2 is a front view thereof;
FIG. 3 is a rear view thereof;
FIG. 4 is a right side view thereof, a left side view being a mirror image; and,
FIG. 5 is a top view thereof, a bottom view being a mirror image.
The portions of the display base in FIGS. 1-5 shown in broken lines are included to show features that form no part of the claimed design.

1 Claim, 4 Drawing Sheets



(56)

References Cited

U.S. PATENT DOCUMENTS

3,645,384 A * 2/1972 Wind B65D 75/22
206/471

3,885,336 A 5/1975 Olsen

3,952,435 A 4/1976 Olsen

3,979,846 A 9/1976 Euzarraga

4,040,593 A 8/1977 Wiley

4,143,496 A 3/1979 Destito

4,167,385 A * 9/1979 DeRezendes B28B 7/46
425/410

4,437,639 A 3/1984 Stein

4,561,200 A 12/1985 Hehn

D282,825 S 3/1986 Kostios

4,875,259 A 10/1989 Appeldorn

4,892,284 A 1/1990 Kelrick

4,900,604 A 2/1990 Martinez et al.

4,979,323 A 12/1990 Wenkman et al.

5,069,411 A 12/1991 Murphy

5,075,991 A 12/1991 Wenkman et al.

5,077,870 A 1/1992 Melbye

D327,425 S * 6/1992 Hamada D9/415

D327,426 S * 6/1992 Karita D9/415

5,133,526 A 7/1992 Olmsted

5,201,101 A 4/1993 Rouser

5,256,231 A 10/1993 Gorman

D340,810 S 11/1993 Wenkman

5,342,014 A 8/1994 Wilson

5,360,270 A 11/1994 Appeldorn

D361,715 S * 8/1995 Hauptert D9/424

5,523,129 A 6/1996 McGeehan-Hatch

D377,451 S 1/1997 Gumowitz et al.

5,616,394 A 4/1997 Gorman et al.

D380,962 S 7/1997 Trigger

5,743,507 A 4/1998 Rushing

D398,782 S * 9/1998 Janke D6/300

5,845,375 A 12/1998 Miller et al.

5,878,987 A 3/1999 Hayde

5,931,439 A 8/1999 Lemire

5,947,438 A 9/1999 Lemire

6,032,915 A 3/2000 Brindisi

6,086,973 A 7/2000 Hazes

6,142,332 A * 11/2000 Ferrara B65D 43/0218
220/212

D436,596 S * 1/2001 Ito D14/434

6,241,210 B1 6/2001 Brindisi

D445,262 S * 7/2001 Rowan D6/300

6,308,831 B1 * 10/2001 Saxe B42F 7/14
206/38

6,408,795 B1 6/2002 Goodger

D463,741 S 10/2002 Green

6,527,244 B1 3/2003 Kamenstein et al.

D475,620 S 6/2003 Chen et al.

6,666,425 B1 12/2003 Ferguson

6,692,807 B2 2/2004 Bries

D487,871 S * 3/2004 Kokubo D9/432

D489,599 S 5/2004 Lam

6,820,853 B1 11/2004 DuBarry

6,832,445 B2 12/2004 Pitzen

6,972,141 B1 12/2005 Bries et al.

D519,375 S 4/2006 Brooks

7,303,805 B2 12/2007 Seth

D571,146 S 6/2008 Sanfilippo et al.

D584,141 S * 1/2009 Smith D9/414

D590,655 S * 4/2009 Freeman D7/354

7,516,524 B2 4/2009 Provost et al.

D591,555 S * 5/2009 Sanfilippo D7/391

D600,111 S * 9/2009 Gerulski D9/424

D600,500 S * 9/2009 Bizzell D7/541

D600,501 S * 9/2009 Bizzell D7/541

7,762,517 B1 7/2010 Leseman

D623,454 S * 9/2010 Berkowitz D6/524

D632,955 S * 2/2011 Smith, III D9/415

7,913,967 B1 3/2011 Aleo

8,397,411 B2 3/2013 Russo

D679,179 S * 4/2013 Ritter D9/424

D690,198 S * 9/2013 Haracourt D7/602

2002/0142155 A1 10/2002 Steinberg

2004/0221540 A1 11/2004 Simons

2005/0136214 A1 6/2005 Most

2005/0269232 A1 12/2005 Eisenbraun

2006/0214080 A1 9/2006 De Keratry

2007/0065618 A1 3/2007 Fischer

2007/0075211 A1 4/2007 Potter

2009/0068632 A1 3/2009 Thompson

2010/0096532 A1 4/2010 Greve

2010/0108837 A1 5/2010 Felton

2010/0116964 A1 5/2010 Aleo

2011/0042542 A1 2/2011 Russo et al.

2011/0049325 A1 3/2011 Johnson et al.

2011/0159234 A1 6/2011 Pai

2011/0163215 A1 7/2011 Walters

2012/0233898 A1 9/2012 Home

2013/0008013 A1 1/2013 Chang

2014/0353455 A1 12/2014 Floyd

OTHER PUBLICATIONS

OtterBox Tablet Mount (Amazon), available Jan. 1, 2015, [online], [site visited Aug. 21, 2015]. Available from internet, <URL: http://www.amazon.com/OtterBox-Tablet-Mount-AGILITY-CHAR-COAL/dp/B00RGMDWP0/ref=sr_1_5?ie=UTF8&qid=1440164917&sr=8-5&keywords=otterbox+agility.*>

Vanderheyden, U.S. Appl. No. 29/484,172, filed Mar. 6, 2014, entitled "Decorative Display".

Vanderheyden, U.S. Appl. No. 29/484,184, filed Mar. 6, 2014, entitled "Decorative Display Base".

Vanderheyden, U.S. Appl. No. 29/484,169, filed Mar. 6, 2014, entitled "Decorative Display".

Pan, U.S. Appl. No. 29/519,475, filed Mar. 5, 2015, entitled, "Decorative Display Riser".

Olson, U.S. Appl. No. 29/520,978, filed Mar. 19, 2015, entitled, "Display Base".

Olson, U.S. Appl. No. 29/520,985, filed Mar. 19, 2015, entitled, "Display Base".

Olson, U.S. Appl. No. 29/520,989, filed Mar. 19, 2015, entitled, "Display Base".

Olson, U.S. Appl. No. 29/520,995, filed Mar. 19, 2015, entitled, "Display Base".

Olson, U.S. Appl. No. 29/521,041, filed Mar. 19, 2015, entitled, "Display Base".

Olson, U.S. Appl. No. 29/521,058, filed Mar. 19, 2015, entitled, "Display Base".

* cited by examiner

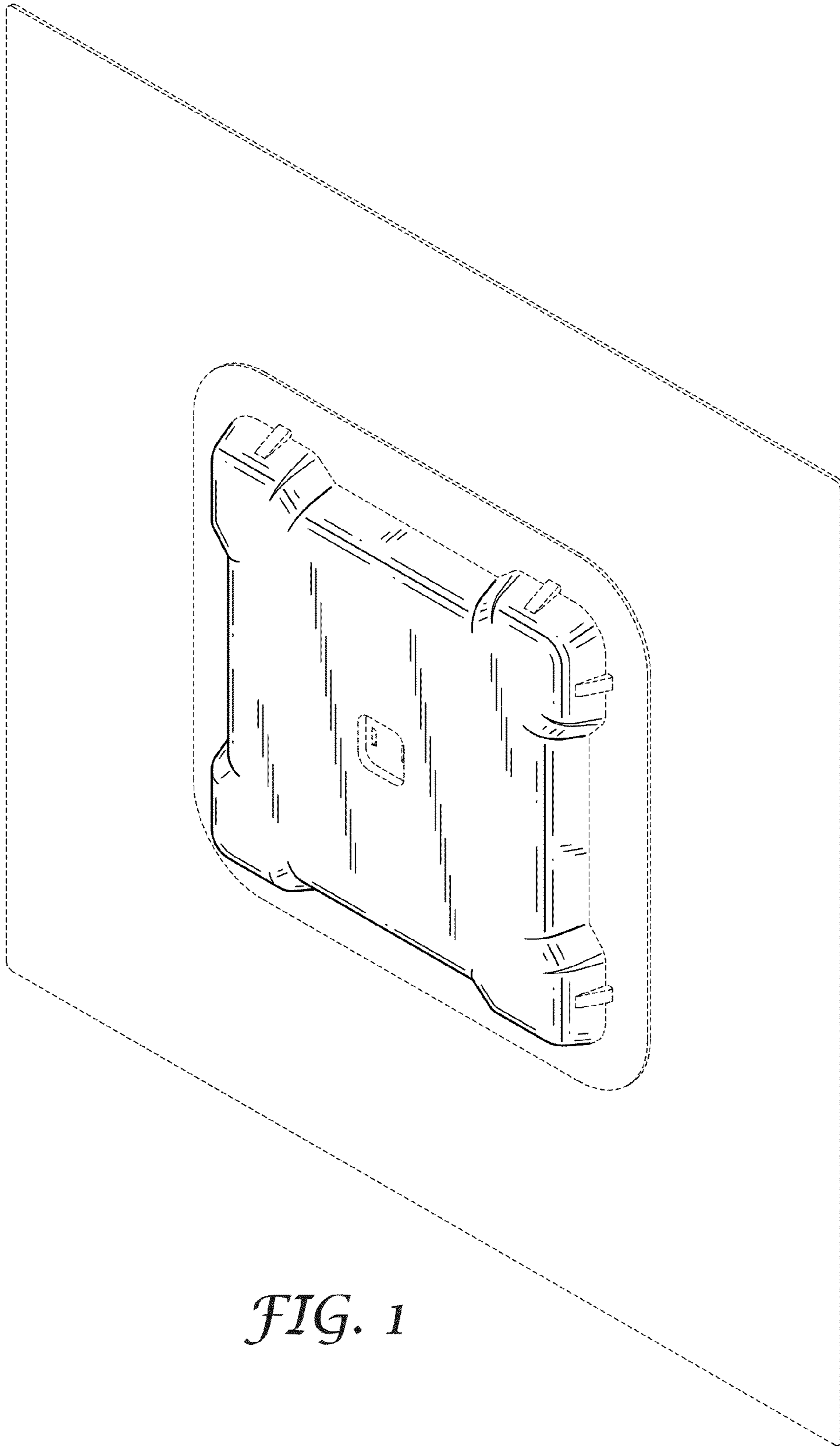


FIG. 1

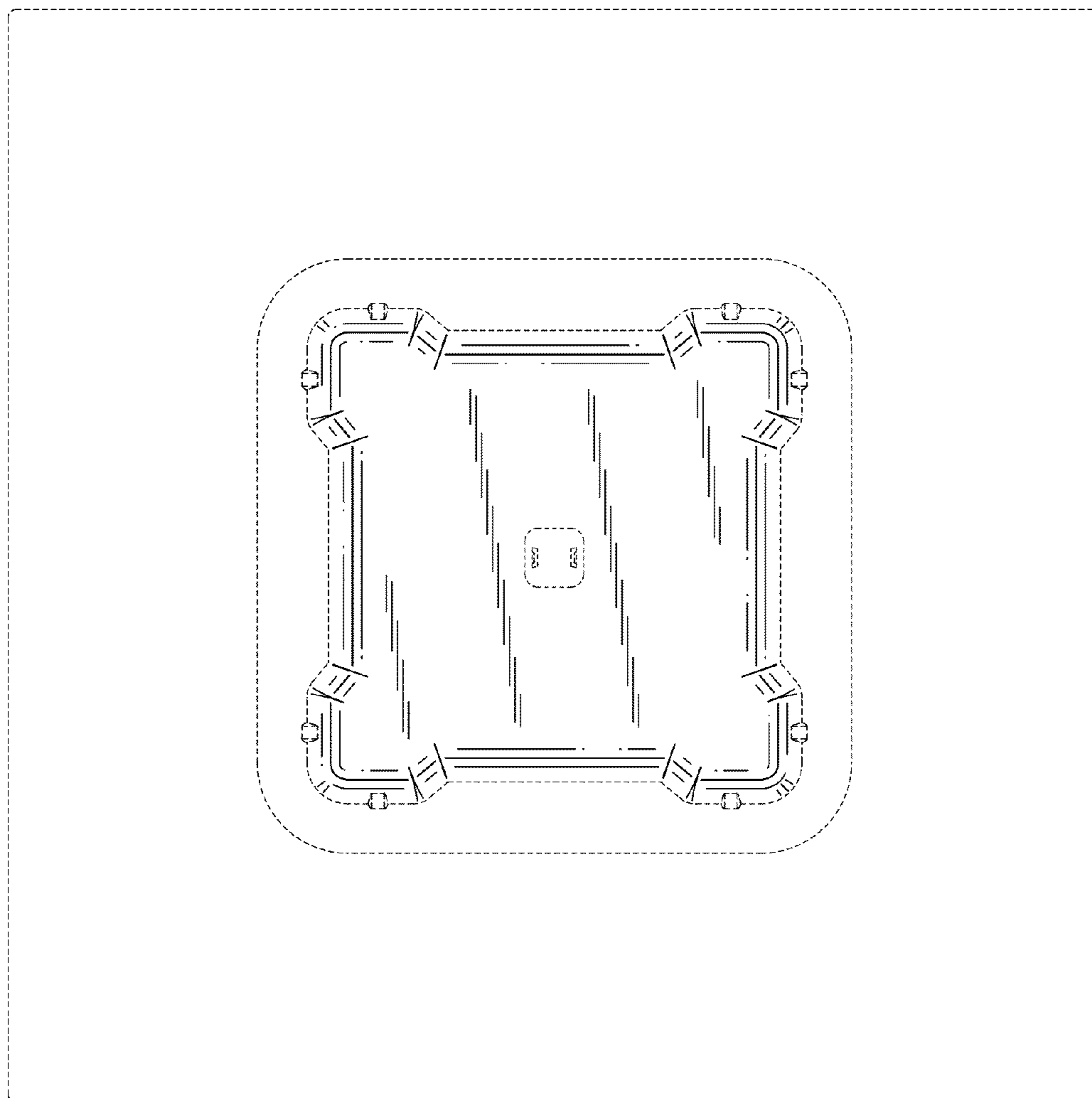


FIG. 2

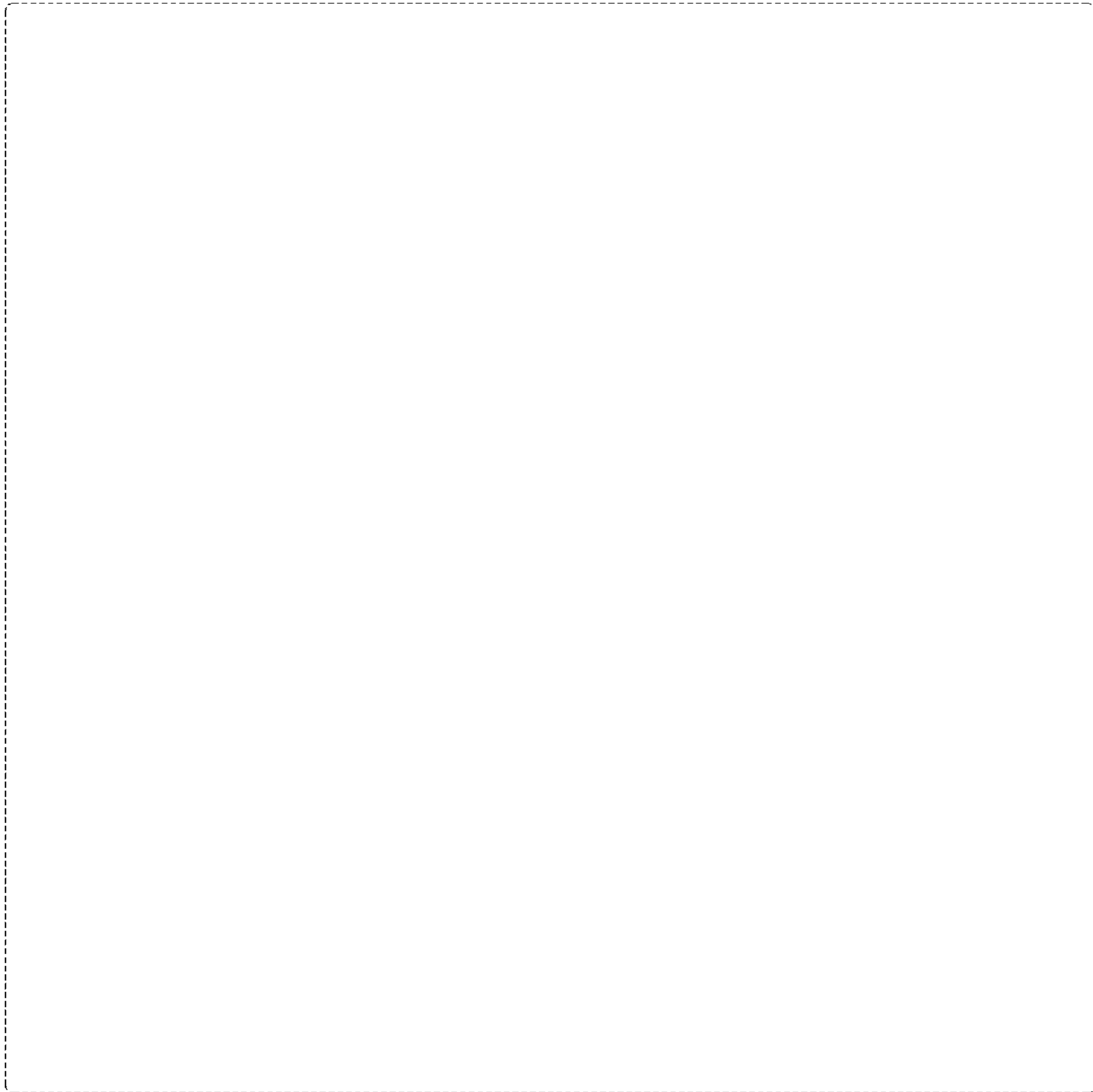


FIG. 3

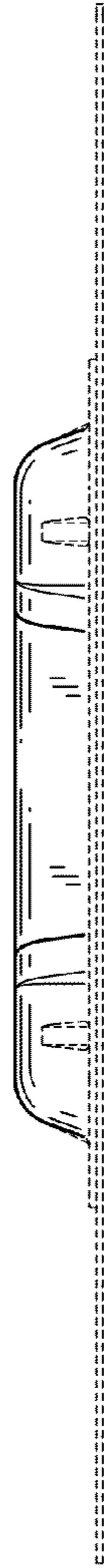


FIG. 4

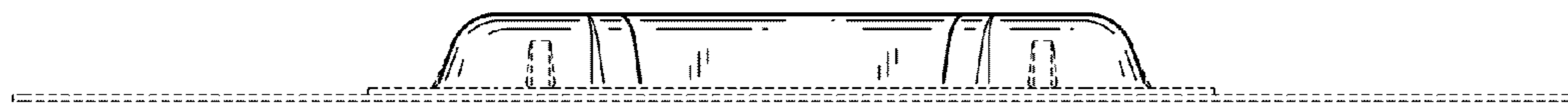


FIG. 5