



US00D746601S

(12) **United States Design Patent**  
**Olson et al.**

(10) **Patent No.:** **US D746,601 S**  
(45) **Date of Patent:** **\*\* Jan. 5, 2016**

(54) **DISPLAY BASE**

(71) Applicant: **3M INNOVATIVE PROPERTIES COMPANY**, St. Paul, MN (US)  
(72) Inventors: **Judd D. Olson**, Deephaven, MN (US); **Thomas W. Floyd**, St. Paul, MN (US); **Kevin E. Kinzer**, Forest Lake, MN (US); **Stephan A. Hawthorne**, St. Paul, MN (US); **Sandra K. Nowak**, St. Paul, MN (US); **Irina Hass**, Woodbury, MN (US); **Linda W. Suszko**, Stillwater, MN (US)

(73) Assignee: **3M INNOVATIVE PROPERTIES COMPANY**, St. Paul, MN (US)

(\*\*) Term: **14 Years**

(21) Appl. No.: **29/520,995**

(22) Filed: **Mar. 19, 2015**

(51) **LOC (10) Cl.** ..... **06-07**

(52) **U.S. Cl.**  
USPC ..... **D6/300**

(58) **Field of Classification Search**  
USPC ..... D6/300-314, 553; D9/432, 433, 424, D9/430, 414, 415, 418, 737, 740, 743-745, D9/759, 760; D7/354, 553.3, 553.2; 248/467; D10/21, 24, 25; D11/131, D11/132, 140; 428/900; 40/711, 730, 754, 40/746, 757, 461, 781, 597, 600; D14/315-318, 341-344, 129, 130, 496, D14/137; D21/386, 470, 478, 479; D19/59, D19/60  
CPC ..... A47G 1/06; A47G 1/142; A47G 1/0616; A47G 1/0638; A47G 1/065; A47G 1/1686; A47G 1/17; A47G 2201/0666; A47G 2001/0672; B65D 2543/00194; B65D 2543/00092; B65D 2543/00101; B65D 2543/00157; A21B 3/13; G09F 19/22; G09F 15/0018; G09F 13/0404; G06F 2200/1633

See application file for complete search history.

(56) **References Cited**

**U.S. PATENT DOCUMENTS**

1,610,423 A 12/1926 Cawley  
D167,977 S \* 10/1952 Francis ..... D9/414  
3,885,336 A 5/1975 Olsen

(Continued)

**FOREIGN PATENT DOCUMENTS**

WO 96/16580 6/1996

**OTHER PUBLICATIONS**

Surbiton Sugarcraft Alphabet Cake Tin (H), available Jan. 18, 2014, [online], [site visited Aug. 21, 2015]. Available from internet, <URL: <http://www.surbitonart.co.uk/acatalog/Alphabet-baking-tins-.html>.\*

(Continued)

*Primary Examiner* — Cathron Brooks  
*Assistant Examiner* — Teddy Falloway

(74) *Attorney, Agent, or Firm* — Irina Haas

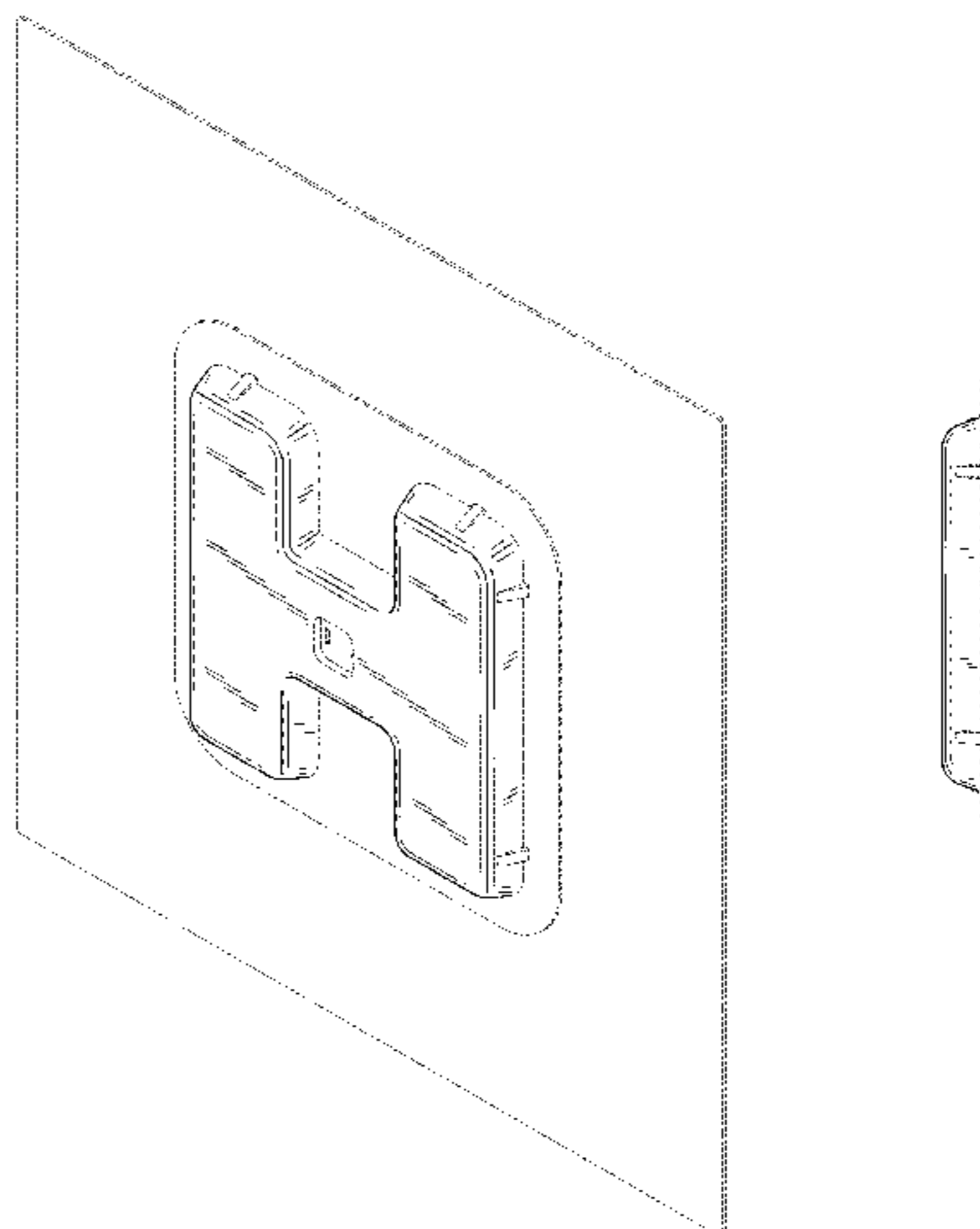
(57) **CLAIM**

The ornamental design for a display base, as shown and described.

**DESCRIPTION**

FIG. 1 is a perspective view showing the new design for a display base;  
FIG. 2 is a front view thereof;  
FIG. 3 is a rear view thereof;  
FIG. 4 is a right side view thereof, a left side view being a mirror image; and,  
FIG. 5 is a top view thereof, a bottom view being a mirror image.  
The portions of the display base in FIGS. 1-5 shown in broken lines are included to show features that form no part of the claimed design.

**1 Claim, 4 Drawing Sheets**



(56)

References Cited

U.S. PATENT DOCUMENTS

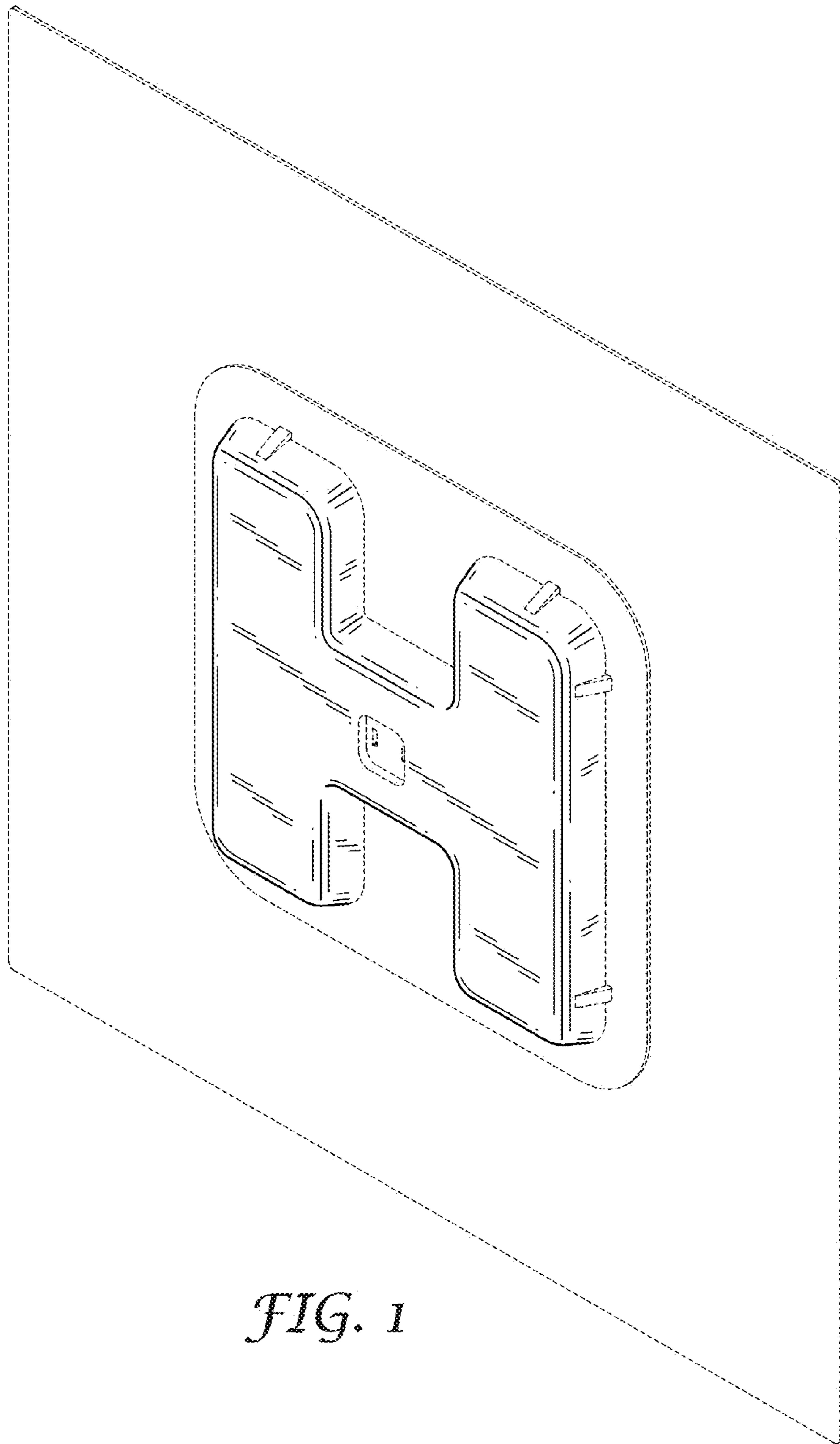
3,952,435 A 4/1976 Olsen  
 3,979,846 A 9/1976 Euzarraga  
 4,040,593 A 8/1977 Wiley  
 4,143,496 A 3/1979 Destito  
 4,437,639 A 3/1984 Stein  
 4,561,200 A 12/1985 Hehn  
 D282,825 S 3/1986 Kostios  
 4,875,259 A 10/1989 Appeldorn  
 4,892,284 A 1/1990 Kelrick  
 4,900,604 A 2/1990 Martinez et al.  
 4,979,323 A 12/1990 Wenkman et al.  
 5,069,411 A 12/1991 Murphy  
 5,075,991 A 12/1991 Wenkman et al.  
 5,077,870 A 1/1992 Melbye  
 D327,425 S \* 6/1992 Hamada ..... D9/415  
 D327,426 S \* 6/1992 Karita ..... D9/415  
 5,133,526 A 7/1992 Olmsted  
 5,201,101 A 4/1993 Rouser  
 5,256,231 A 10/1993 Gorman  
 D340,810 S 11/1993 Wenkman  
 5,342,014 A 8/1994 Wilson  
 5,360,270 A 11/1994 Appeldorn  
 5,523,129 A 6/1996 McGeehan-Hatch  
 D377,451 S 1/1997 Gumowitz et al.  
 5,616,394 A 4/1997 Gorman et al.  
 D380,962 S 7/1997 Trigger  
 5,743,507 A 4/1998 Rushing  
 5,845,375 A 12/1998 Miller et al.  
 5,878,987 A 3/1999 Hayde  
 5,931,439 A 8/1999 Lemire  
 5,947,438 A 9/1999 Lemire  
 6,032,915 A 3/2000 Brindisi  
 6,086,973 A 7/2000 Hazes  
 6,241,210 B1 6/2001 Brindisi  
 6,408,795 B1 6/2002 Goodger  
 D463,741 S 10/2002 Green  
 6,527,244 B1 3/2003 Kamenstein et al.  
 D475,620 S 6/2003 Chen et al.  
 6,666,425 B1 12/2003 Ferguson  
 6,692,807 B2 2/2004 Bries  
 D487,871 S \* 3/2004 Kokubo ..... D9/432  
 D489,599 S 5/2004 Lam  
 6,820,853 B1 11/2004 DuBarry  
 6,832,445 B2 12/2004 Pitzen  
 6,972,141 B1 12/2005 Bries et al.  
 D519,375 S 4/2006 Brooks  
 7,303,805 B2 12/2007 Seth  
 D571,146 S 6/2008 Sanfilippo et al.  
 7,516,524 B2 4/2009 Provost et al.  
 D602,734 S \* 10/2009 de Groote ..... D7/392.1  
 7,762,517 B1 7/2010 Leseman  
 D623,648 S \* 9/2010 Hsu ..... D14/324  
 D624,069 S \* 9/2010 Peng ..... D14/324

7,913,967 B1 3/2011 Aleo  
 8,397,411 B2 3/2013 Russo  
 D694,101 S \* 11/2013 Radomyselski ..... D9/415  
 D702,679 S \* 4/2014 Li ..... D14/324  
 2002/0093127 A1 \* 7/2002 Hobson ..... B29C 49/50  
 264/536  
 2002/0142155 A1 10/2002 Steinberg  
 2004/0221540 A1 11/2004 Simons  
 2005/0136214 A1 6/2005 Most  
 2005/0269232 A1 12/2005 Eisenbraun  
 2006/0214080 A1 9/2006 De Keratry  
 2007/0065618 A1 3/2007 Fischer  
 2007/0075211 A1 4/2007 Potter  
 2009/0068632 A1 3/2009 Thompson  
 2010/0096532 A1 4/2010 Greve  
 2010/0108837 A1 5/2010 Felton  
 2010/0116964 A1 5/2010 Aleo  
 2010/0325929 A1 \* 12/2010 Favron ..... G08B 7/062  
 40/638  
 2011/0042542 A1 2/2011 Russo et al.  
 2011/0049325 A1 3/2011 Johnson et al.  
 2011/0159234 A1 6/2011 Pai  
 2011/0163215 A1 7/2011 Walters  
 2012/0233898 A1 9/2012 Home  
 2013/0008013 A1 1/2013 Chang  
 2013/0309342 A1 \* 11/2013 Blais ..... B29C 45/74  
 425/144  
 2014/0259827 A1 \* 9/2014 Breihof ..... G09F 7/002  
 40/541  
 2014/0353455 A1 12/2014 Floyd

OTHER PUBLICATIONS

Pan, U.S. Appl. No. 29/519,475, filed Mar. 5, 2015, entitled, "Decorative Display Riser".  
 Olson, U.S. Appl. No. 29/520,978, filed Mar. 19, 2015, entitled, "Display Base".  
 Olson, U.S. Appl. No. 29/520,985, filed Mar. 19, 2015, entitled, "Display Base".  
 Olson, U.S. Appl. No. 29/520,989, filed Mar. 19, 2015, entitled, "Display Base".  
 Olson, U.S. Appl. No. 29/521,021, filed Mar. 19, 2015, entitled, "Display Base".  
 Olson, U.S. Appl. No. 29/521,041, filed Mar. 19, 2015, entitled, "Display Base".  
 Olson, U.S. Appl. No. 29/521,058, filed Mar. 19, 2015, entitled, "Display Base".  
 Vanderheyden, U.S. Appl. No. 29/484,172, filed Mar. 6, 2014, entitled "Decorative Display".  
 Vanderheyden, U.S. Appl. No. 29/484,184, filed Mar. 6, 2014, entitled "Decorative Display Base".  
 Vanderheyden, U.S. Appl. No. 29/484,169, filed Mar. 6, 2014, entitled "Decorative Display".

\* cited by examiner



*FIG. 1*

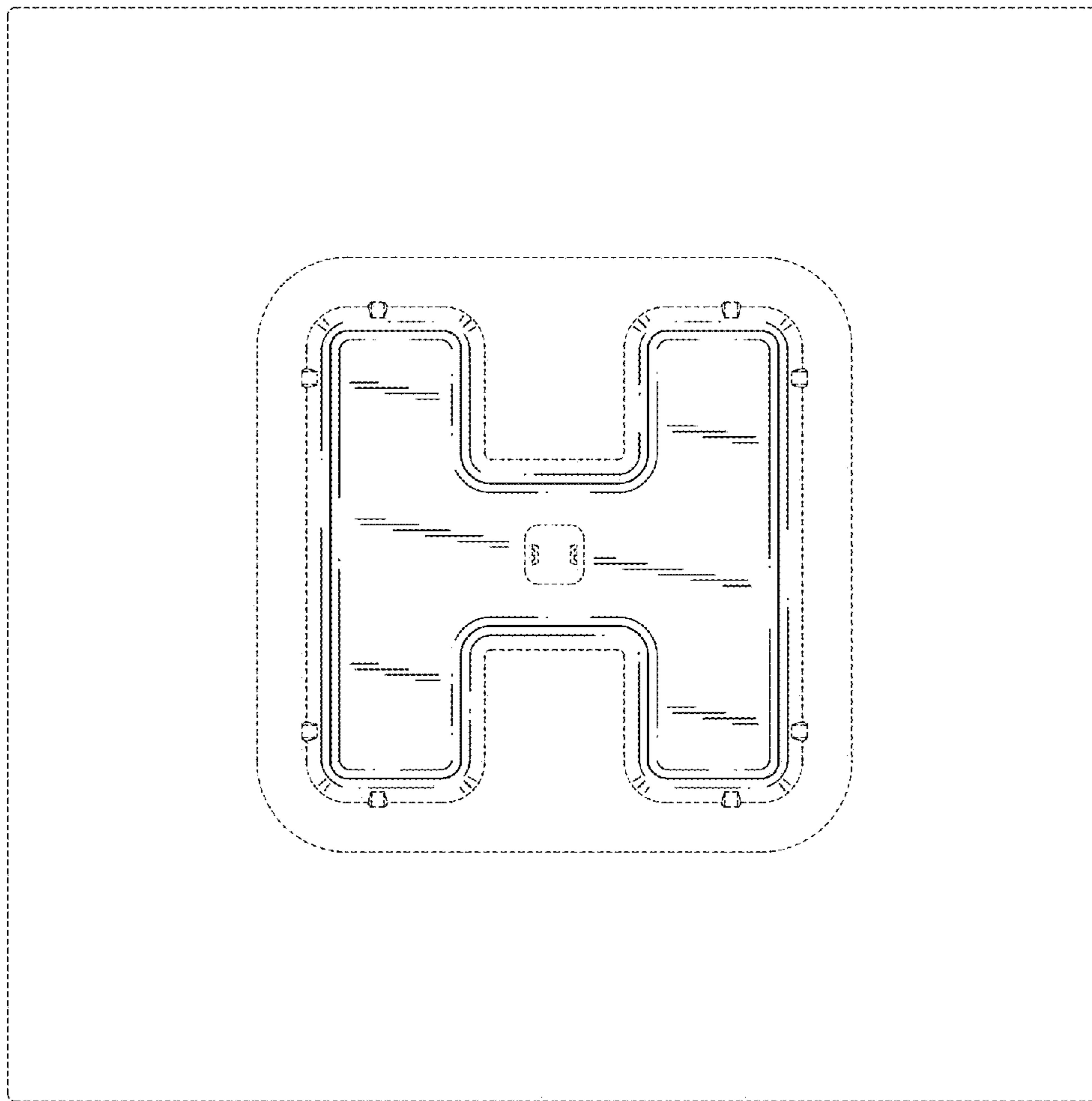
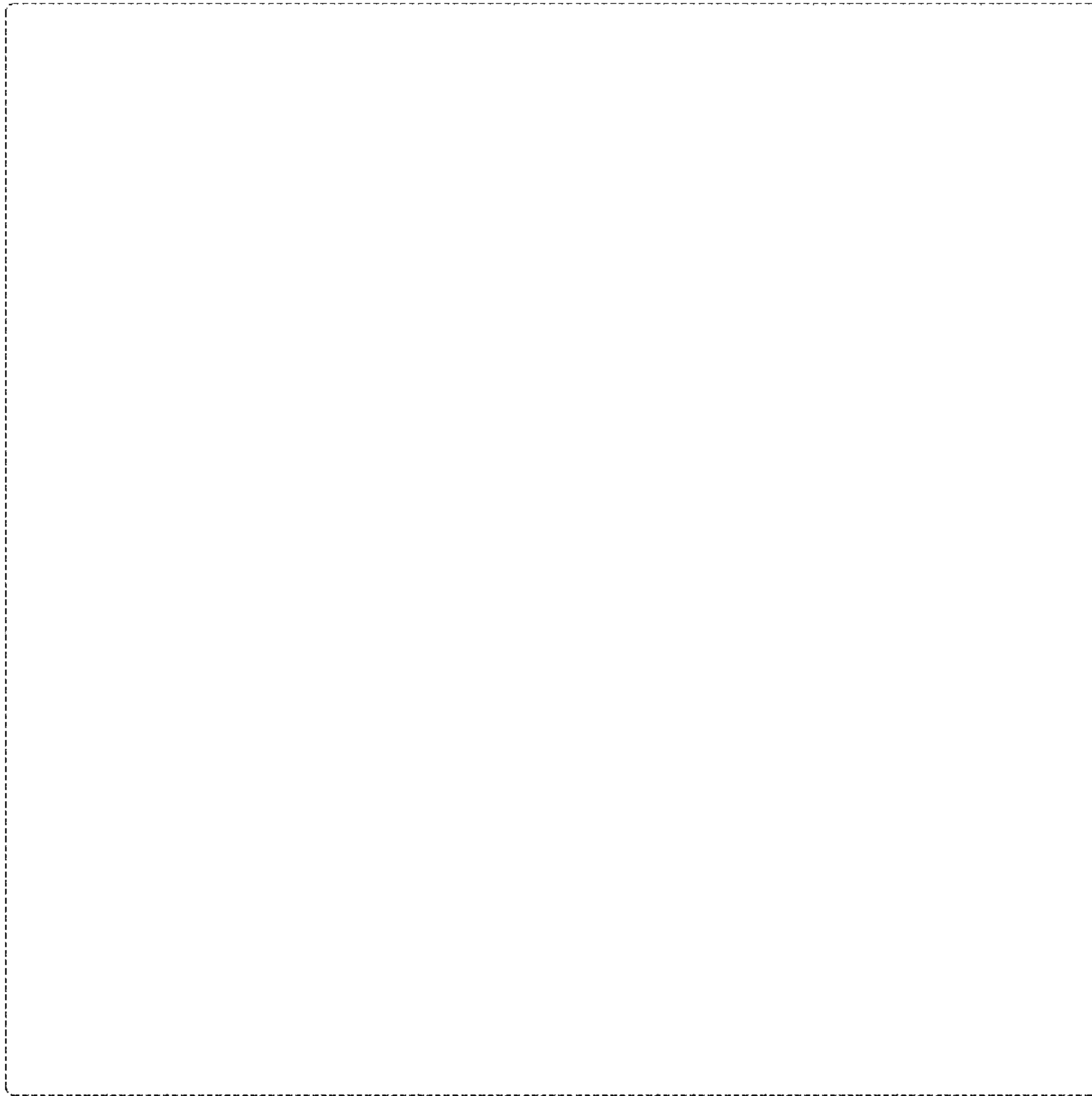
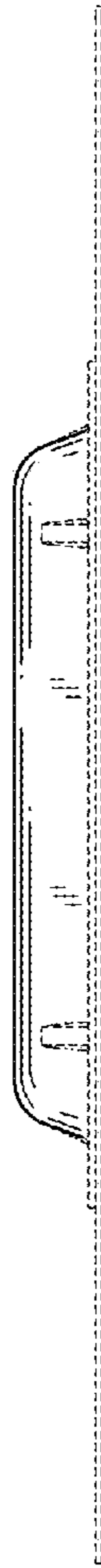


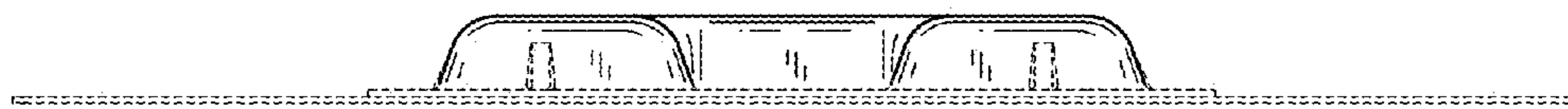
FIG. 2



*FIG. 3*



*FIG. 4*



*FIG. 5*