



US00D746599S

(12) **United States Design Patent**
Olson et al.

(10) **Patent No.:** **US D746,599 S**
(45) **Date of Patent:** **** Jan. 5, 2016**

(54) **DISPLAY BASE**

(71) Applicant: **3M INNOVATIVE PROPERTIES COMPANY**, St. Paul, MN (US)
(72) Inventors: **Judd D. Olson**, Deephaven, MN (US); **Thomas W. Floyd**, St. Paul, MN (US); **Kevin E. Kinzer**, Forest Lake, MN (US); **Stephan A. Hawthorne**, St. Paul, MN (US); **Sandra K. Nowak**, St. Paul, MN (US); **Irina Hass**, Woodbury, MN (US); **Linda W. Suszko**, Stillwater, MN (US)

(73) Assignee: **3M INNOVATIVE PROPERTIES COMPANY**, St. Paul, MN (US)

(**) Term: **14 Years**

(21) Appl. No.: **29/520,985**

(22) Filed: **Mar. 19, 2015**

(51) **LOC (10) Cl.** **06-07**

(52) **U.S. Cl.**
USPC **D6/300**

(58) **Field of Classification Search**
USPC D6/300-314, 553; D9/432, 433, 424, D9/430, 414, 415, 418, 737, 740, 743-745, D9/759, 760; D7/354, 553.3, 553.2; 248/467; D10/21, 24, 25; D11/131, D11/132, 140; 428/900; 40/711, 730, 754, 40/746, 757, 461, 781, 597, 600; D14/315-318, 341-344, 129, 130, 496, D14/137; D21/386, 470, 478, 479; D19/59, D19/60
CPC A47G 1/06; A47G 1/142; A47G 1/0616; A47G 1/0638; A47G 1/065; A47G 1/1686; A47G 1/17; A47G 2001/0666; A47G 2001/0672; B65D 2543/00194; B65D 2543/00092; B65D 2543/00101; B65D 2543/00157; A21B 3/13; G09F 19/22; G09F 15/0018; G09F 13/0404; G06F 2200/1633

See application file for complete search history.

(56) **References Cited**

U.S. PATENT DOCUMENTS

1,610,423 A 12/1926 Cawley
D114,009 S * 3/1939 Blunt D9/652
D167,977 S * 10/1952 Francis D9/414

(Continued)

FOREIGN PATENT DOCUMENTS

WO 96/16580 6/1996

OTHER PUBLICATIONS

Surbiton Sugarcraft Alphabet Cake Tin (X), available Jan. 18, 2014, [online]. [site visited Aug. 21, 2015]. Available from internet, <URL: <http://www.surbitonart.co.uk/acatalog/Alphabet-baking-tins-.html>.*

(Continued)

Primary Examiner — Cathron Brooks
Assistant Examiner — Teddy Falloway

(74) *Attorney, Agent, or Firm* — Irina Hass

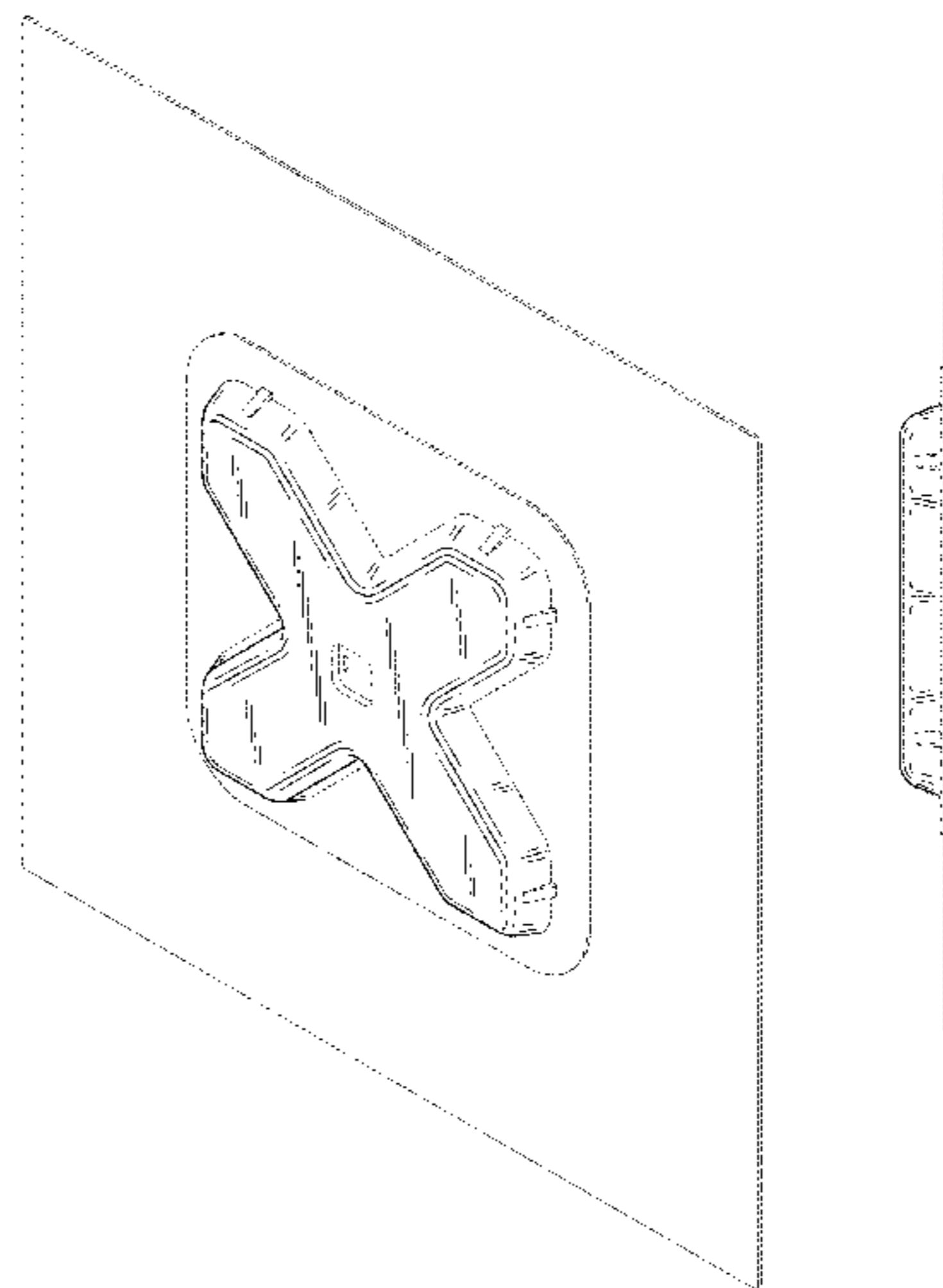
(57) **CLAIM**

The ornamental design for a display base, as shown and described.

DESCRIPTION

FIG. 1 is a perspective view showing the new design for a display base;
FIG. 2 is a front view thereof;
FIG. 3 is a rear view thereof;
FIG. 4 is a right side view thereof, a left side view being a mirror image; and,
FIG. 5 is a top view thereof, a bottom view being a mirror image.
The portions of the display base in FIGS. 1-5 shown in broken lines are included to show features that form no part of the claimed design.

1 Claim, 4 Drawing Sheets



(56)

References Cited

U.S. PATENT DOCUMENTS

D207,679 S * 5/1967 Kennedy D19/92
 3,645,384 A * 2/1972 Wind B65D 75/22
 206/471
 3,759,416 A * 9/1973 Constantine B65D 21/0233
 D21/233
 3,885,336 A 5/1975 Olsen
 3,952,435 A 4/1976 Olsen
 3,979,846 A 9/1976 Euzarraga
 4,040,593 A 8/1977 Wiley
 4,143,496 A 3/1979 Destito
 4,437,639 A 3/1984 Stein
 D276,702 S * 12/1984 Entenmann D9/456
 4,561,200 A 12/1985 Hehn
 D282,825 S 3/1986 Kostios
 4,792,087 A * 12/1988 Russell B65D 43/0229
 220/293
 4,875,259 A 10/1989 Appeldorn
 4,892,284 A 1/1990 Kelrick
 4,900,604 A 2/1990 Martinez et al.
 D306,883 S * 3/1990 Ukisu D3/271.12
 D313,182 S * 12/1990 Diepois D9/415
 4,979,323 A 12/1990 Wenkman et al.
 5,069,411 A 12/1991 Murphy
 5,075,991 A 12/1991 Wenkman et al.
 5,077,870 A 1/1992 Melbye
 5,133,526 A 7/1992 Olmsted
 5,201,110 A 4/1993 Bane
 D338,402 S * 8/1993 Gregerson D9/418
 5,256,231 A 10/1993 Gorman
 D340,810 S 11/1993 Wenkman
 5,342,014 A 8/1994 Wilson
 5,360,270 A 11/1994 Appeldorn
 D358,768 S * 5/1995 Berggren D9/435
 5,523,129 A 6/1996 McGeehan-Hatch
 D377,451 S 1/1997 Gumowitz et al.
 5,616,394 A 4/1997 Gorman et al.
 5,641,090 A * 6/1997 Kowalski B65D 21/0219
 206/508
 D380,962 S 7/1997 Trigger
 5,743,507 A 4/1998 Rushing
 5,845,375 A 12/1998 Miller et al.
 5,878,987 A 3/1999 Hayde
 5,931,439 A 8/1999 Lemire
 5,947,438 A 9/1999 Lemire
 6,032,915 A 3/2000 Brindisi
 D427,578 S * 7/2000 Kanatani D14/507
 6,086,973 A 7/2000 Hazes
 D439,048 S * 3/2001 Sanderson D3/272
 6,241,210 B1 6/2001 Brindisi
 D448,565 S * 10/2001 Sanderson D3/273
 D452,282 S * 12/2001 Stewart D21/333
 D452,534 S * 12/2001 Stewart D21/333
 6,408,795 B1 6/2002 Goodger
 D463,741 S 10/2002 Green
 6,527,244 B1 3/2003 Kamenstein et al.
 D473,562 S * 4/2003 Russell D14/447
 D475,620 S 6/2003 Chen et al.
 D476,818 S * 7/2003 Stravitz D6/300
 D482,276 S * 11/2003 Wang D9/424
 6,666,425 B1 12/2003 Ferguson
 6,692,807 B2 2/2004 Bries
 D487,871 S * 3/2004 Kokubo D9/432
 D489,599 S 5/2004 Lam
 6,820,853 B1 11/2004 DuBarry
 6,832,445 B2 12/2004 Pitzen
 6,972,141 B1 12/2005 Bries et al.
 D519,375 S 4/2006 Brooks
 D543,357 S * 5/2007 Corcoran D3/276
 D545,690 S * 7/2007 Tsutsumi D9/732
 7,303,805 B2 12/2007 Seth
 D558,754 S * 1/2008 Takemasa D14/328
 D571,146 S 6/2008 Sanfilippo et al.
 7,516,524 B2 4/2009 Provost et al.
 D594,009 S * 6/2009 Nakano D14/315

D615,395 S * 5/2010 Jefferies D9/415
 7,762,517 B1 7/2010 Leseman
 D624,069 S * 9/2010 Peng D14/324
 7,913,967 B1 3/2011 Aleo
 D649,149 S * 11/2011 Peng D14/315
 8,118,190 B2 * 2/2012 Coonce B65D 21/0233
 D21/233
 D668,660 S * 10/2012 Norfolk D14/440
 D674,804 S * 1/2013 Cote D14/447
 8,397,411 B2 3/2013 Russo
 D685,376 S * 7/2013 Kim D14/439
 D686,629 S * 7/2013 Trinh D14/447
 D694,101 S * 11/2013 Radomyselski D9/415
 D694,230 S * 11/2013 Wolf D14/314
 D694,645 S * 12/2013 Limback D9/652
 D709,509 S * 7/2014 Kim D14/440
 D716,280 S * 10/2014 Macrina D14/250
 D717,287 S * 11/2014 Macrina D14/250
 D725,657 S * 3/2015 Glasgow D14/400
 8,971,974 B2 * 3/2015 Weaver, III H04R 1/2857
 379/433.02
 D733,699 S * 7/2015 Suzuki D14/315
 2002/0142155 A1 10/2002 Steinberg
 2004/0112776 A1 * 6/2004 Lord G06F 1/1616
 206/320
 2004/0221540 A1 11/2004 Simons
 2005/0136214 A1 6/2005 Most
 2005/0224506 A1 * 10/2005 Withers B65D 43/0212
 D43/212
 2005/0269232 A1 12/2005 Eisenbraun
 2006/0214080 A1 9/2006 De Keratry
 2007/0065618 A1 3/2007 Fischer
 2007/0075211 A1 4/2007 Potter
 2009/0068632 A1 3/2009 Thompson
 2010/0096532 A1 4/2010 Grev
 2010/0108837 A1 5/2010 Felton
 2010/0116964 A1 5/2010 Aleo
 2011/0042542 A1 2/2011 Russo et al.
 2011/0049325 A1 3/2011 Johnson et al.
 2011/0159234 A1 6/2011 Pai
 2011/0163215 A1 7/2011 Walters
 2011/0174645 A1 * 7/2011 Lord G06F 1/1616
 206/320
 2011/0310553 A1 * 12/2011 Hsiao G06F 1/1656
 361/679.55
 2012/0233898 A1 9/2012 Home
 2013/0008013 A1 1/2013 Chang
 2013/0105662 A1 * 5/2013 Cote F16M 11/041
 248/689
 2014/0245592 A1 * 9/2014 Burkhart G09F 7/20
 29/525.11
 2014/0353455 A1 12/2014 Floyd

OTHER PUBLICATIONS

Vanderheyden, U.S. Appl. No. 29/484,172, filed Mar. 6, 2014, entitled "Decorative Display".
 Vanderheyden, U.S. Appl. No. 29/484,184, filed Mar. 6, 2014, entitled "Decorative Display Base".
 Vanderheyden, U.S. Appl. No. 29/484,169, filed Mar. 6, 2014, entitled "Decorative Display".
 Pan, U.S. Appl. No. 29/519,475, filed Mar. 5, 2015, entitled, "Decorative Display Riser".
 Olson, U.S. Appl. No. 29/520,978, filed Mar. 19, 2015, entitled, "Display Base".
 Olson, U.S. Appl. No. 29/520,989, filed Mar. 19, 2015, entitled, "Display Base".
 Olson, U.S. Appl. No. 29/520,995, filed Mar. 19, 2015, entitled, "Display Base".
 Olson, U.S. Appl. No. 29/521,021, filed Mar. 19, 2015, entitled, "Display Base".
 Olson, U.S. Appl. No. 29/521,041, filed Mar. 19, 2015, entitled, "Display Base".
 Olson, U.S. Appl. No. 29/521,058, filed Mar. 19, 2015, entitled, "Display Base".

* cited by examiner

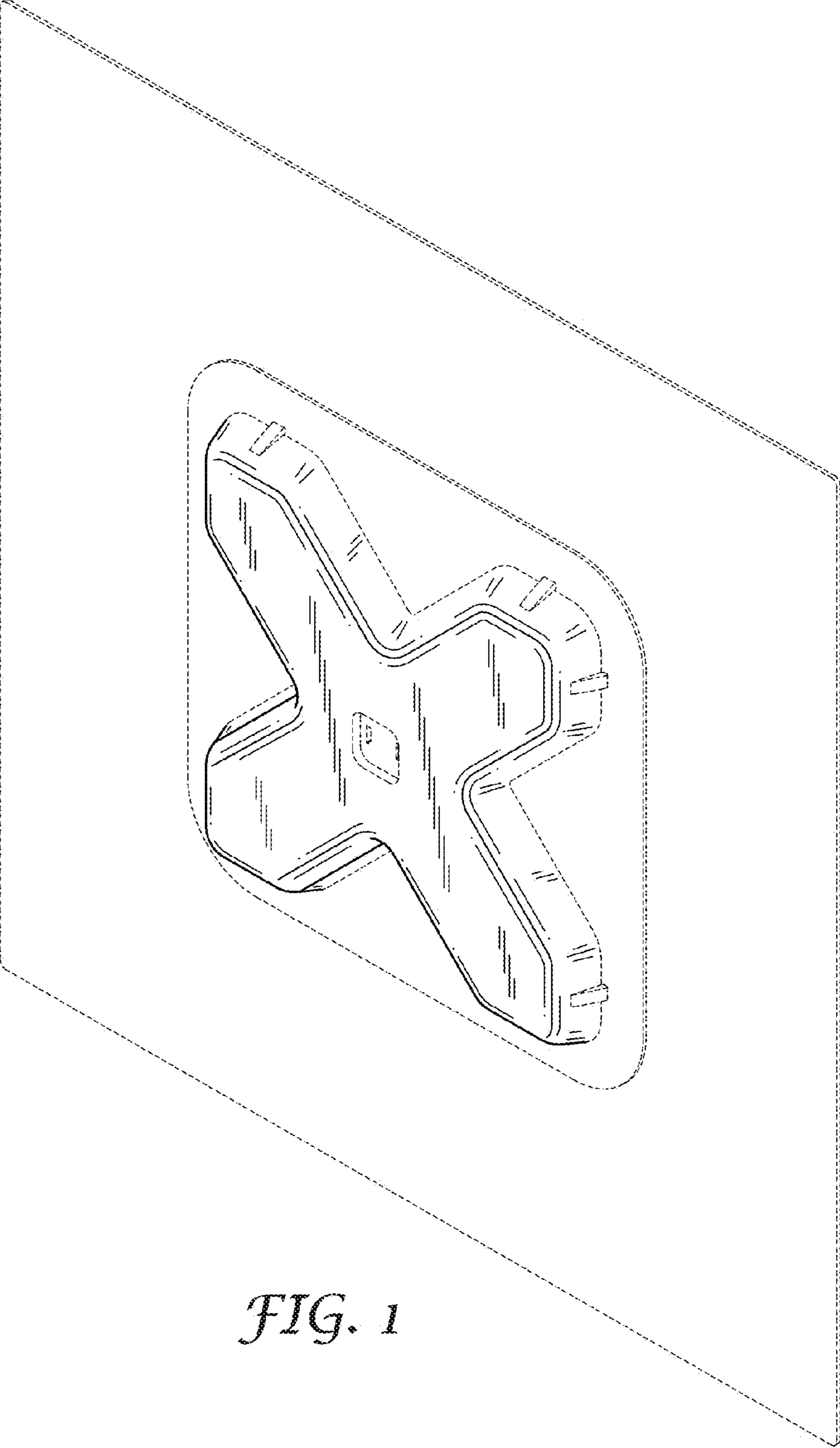


FIG. 1

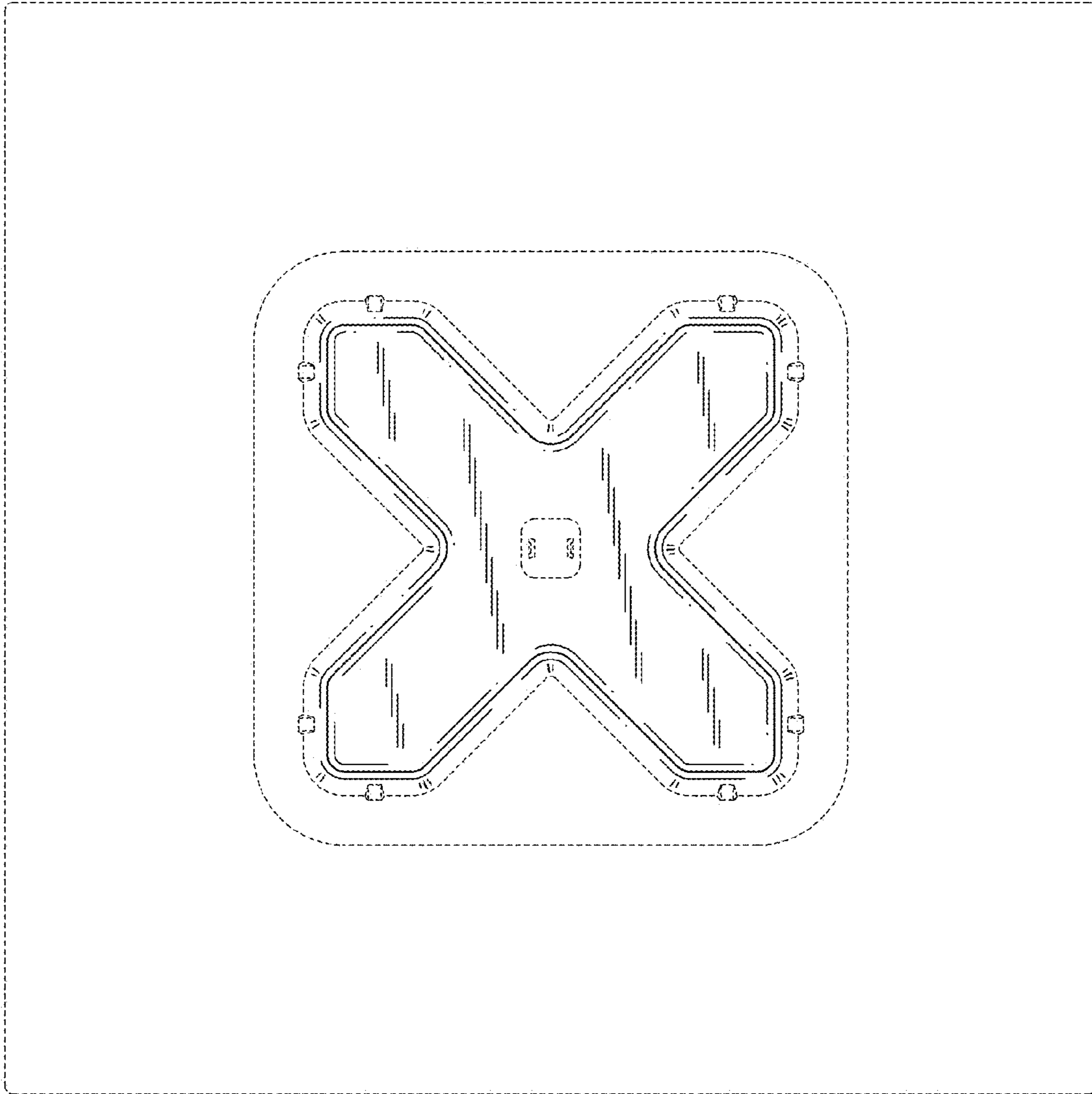


FIG. 2

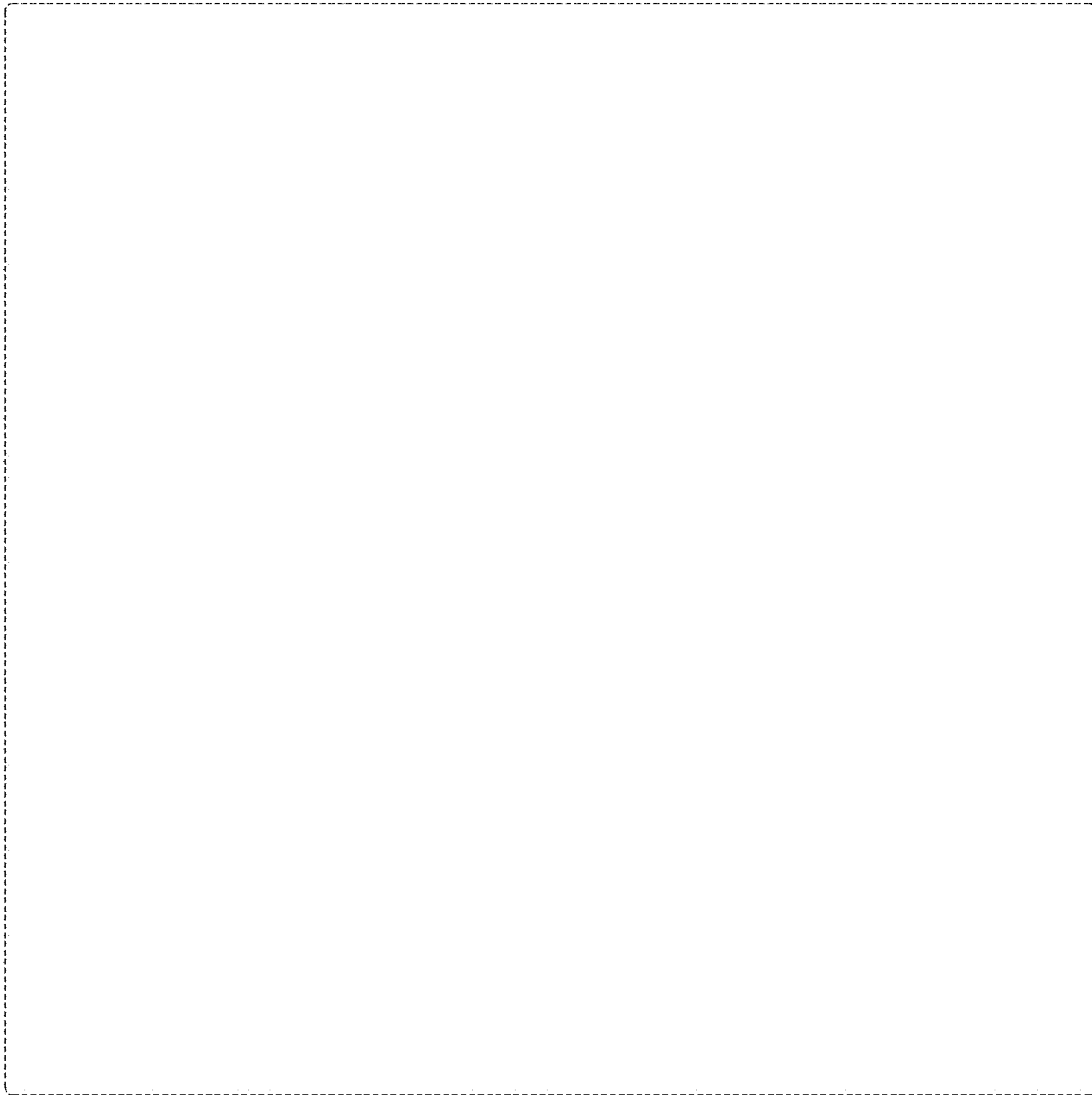


FIG. 3



FIG. 4

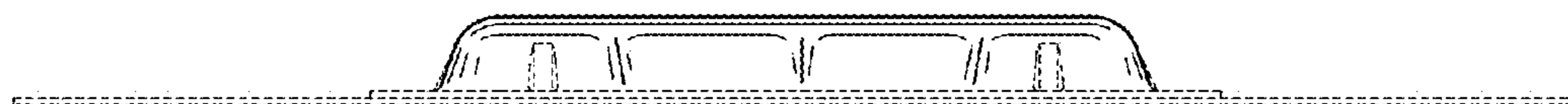


FIG. 5