

US00D746598S

(12) **United States Design Patent**
Herz

(10) **Patent No.:** **US D746,598 S**
(45) **Date of Patent:** **** Jan. 5, 2016**

(54) **RECORD ALBUM FRAME**

(71) Applicant: **Roger Alexander Herz**, Camdenton,
MO (US)

(72) Inventor: **Roger Alexander Herz**, Camdenton,
MO (US)

(**) Term: **14 Years**

(21) Appl. No.: **29/480,561**

(22) Filed: **Jan. 27, 2014**

(51) **LOC (10) Cl.** **06-07**

(52) **U.S. Cl.**
USPC **D6/300**

(58) **Field of Classification Search**
USPC D6/300, 309; D25/152, 48.7, 155;
D13/102; D8/380, 499, 354, 349;
362/96; D21/308, 307; 273/348.3, 348;
D22/113, 114; 210/498, 232
CPC A47G 1/06; G03B 21/321; G09F 1/12;
G09F 23/06; G11B 33/04; G11B 33/0422
See application file for complete search history.

(56) **References Cited**

U.S. PATENT DOCUMENTS

1,421,391 A * 7/1922 Bower 211/40
1,840,822 A * 1/1932 Ross 242/601
2,803,348 A * 8/1957 Bingham et al. 210/498
3,123,095 A * 3/1964 Kohler 137/516.23
3,481,656 A * 12/1969 Landers 312/9.27

(Continued)

OTHER PUBLICATIONS

Record Frames, available Apr. 1, 2013, [online], [site visited Jan. 5, 2015]. Available from internet, <URL:http://retrorenovation.com/2013/04/01/sources-for-record-frames/*

Record Album Frame, available Dec. 28, 2014, [online], [site visited Jan. 5, 2015]. Available from internet, <URL:http://stlouis.ebayclassifieds.com/musical-instruments/saint-louis/smart-record-album-frame/?ad=36171843.*

Primary Examiner — Cathron Brooks
Assistant Examiner — Teddy Falloway

(57) **CLAIM**

The ornamental design for a record album frame, as shown and described.

DESCRIPTION

FIG. 1 is a perspective view of a record album frame according to the present invention used to display a phonograph record;

FIG. 2 is an exploded front perspective view of the record album frame;

FIG. 3 is a perspective view of the back of the record album frame, shown with the removable mounting post removed for completeness of illustration;

FIG. 4 is a side view of the record album frame, shown with the removable mounting post removed for completeness of illustration;

FIG. 5 is a side view of the record album frame with the mounting post secured on the base member;

FIG. 6 is a cross-sectional side view of the record album frame with the mounting post secured on the base member;

FIG. 7 is an enlarged view of the rear of the record album frame;

FIG. 8 is an enlarged perspective view of the record mounting post;

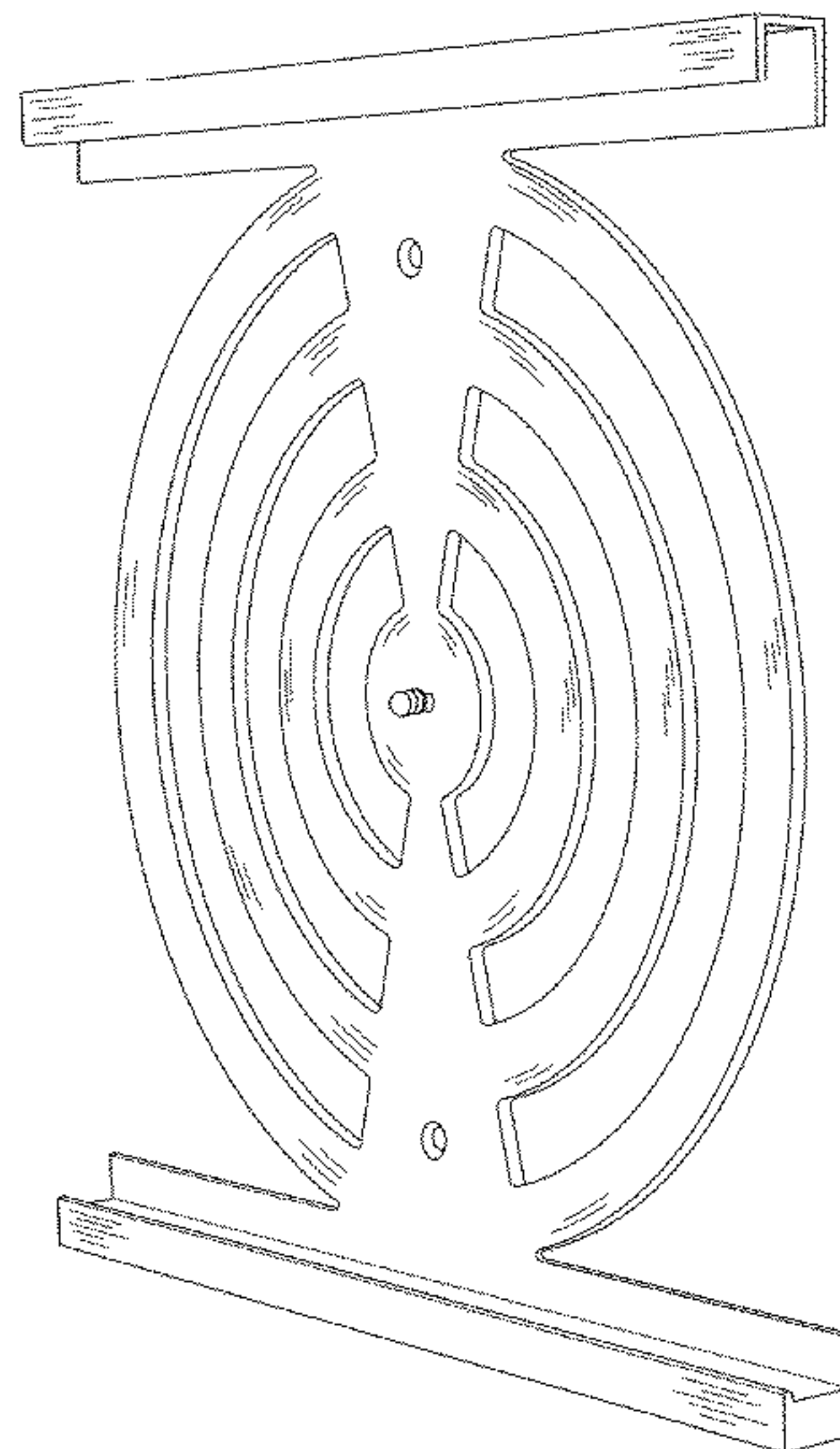
FIG. 9 is an enlarged cross-sectional view of the mounting post; and,

FIG. 10 is an enlarged rear view of the mounting post interlocked with the record album frame.

The top and bottom of the frame are unornamented.

The broken lines shown in FIGS. 7 and 10 are included for the purpose of illustrating portions of the record album frame that form no part of the claimed design.

1 Claim, 5 Drawing Sheets



(56)

References Cited

U.S. PATENT DOCUMENTS

3,508,752 A * 4/1970 Lemon 273/348.3
 3,598,389 A * 8/1971 Kohler 267/161
 3,711,975 A * 1/1973 Downing 40/506
 D246,636 S * 12/1977 Cone D11/89
 4,557,533 A * 12/1985 Koch 312/9.55
 4,578,886 A * 4/1986 Lofredo 40/791
 4,627,464 A * 12/1986 Hartshorn 137/516.13
 D294,088 S * 2/1988 Lofredo D6/300
 4,854,341 A * 8/1989 Bauer 137/514

D328,721 S * 8/1992 Kaneko D10/126
 D335,441 S * 5/1993 Fraker et al. D8/369
 D355,695 S * 2/1995 Moore D22/113
 6,247,700 B1 * 6/2001 Procupetz 273/408
 D533,105 S * 12/2006 Lach D11/131
 D562,995 S * 2/2008 Diamond et al. D25/155
 D572,766 S * 7/2008 Smyser D20/43
 D666,480 S * 9/2012 Peacock et al. D8/380
 8,911,100 B2 * 12/2014 Tsai 362/96
 2003/0188978 A1 * 10/2003 Ku 206/308.1
 2006/0219619 A1 * 10/2006 St-Cyr 210/232
 2014/0150314 A1 * 6/2014 Herz 40/790

* cited by examiner

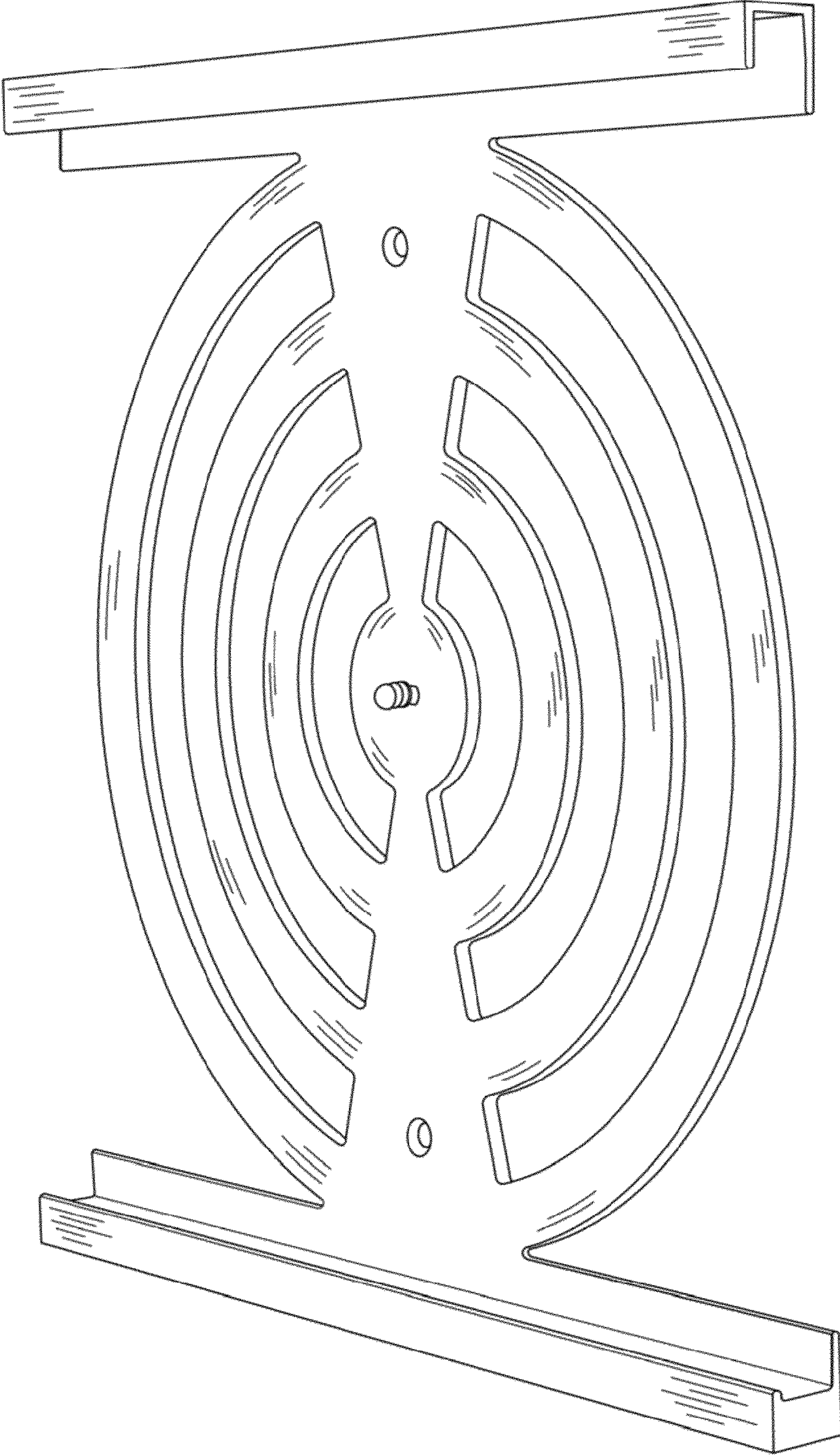


Fig. 1

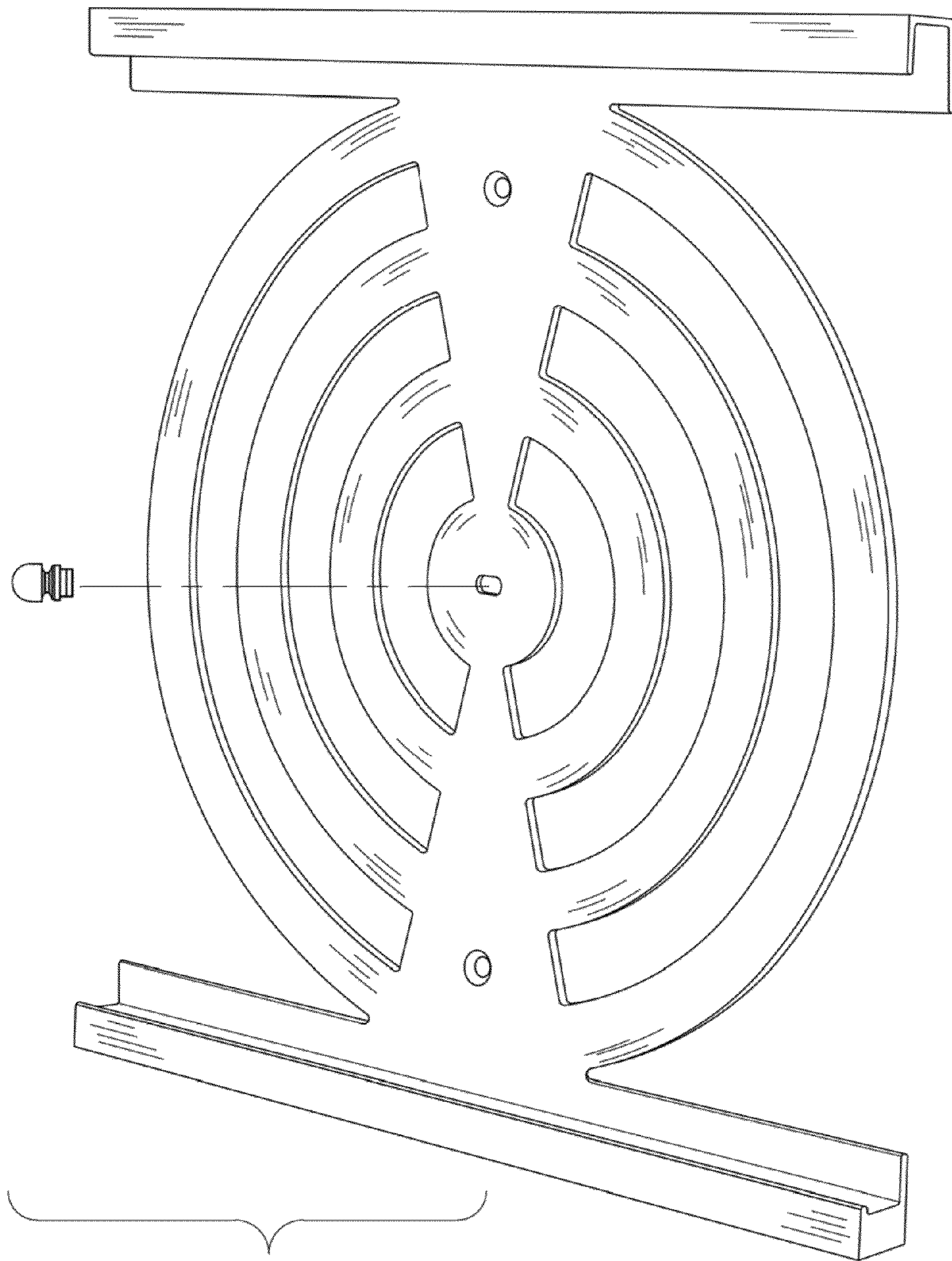


Fig. 2

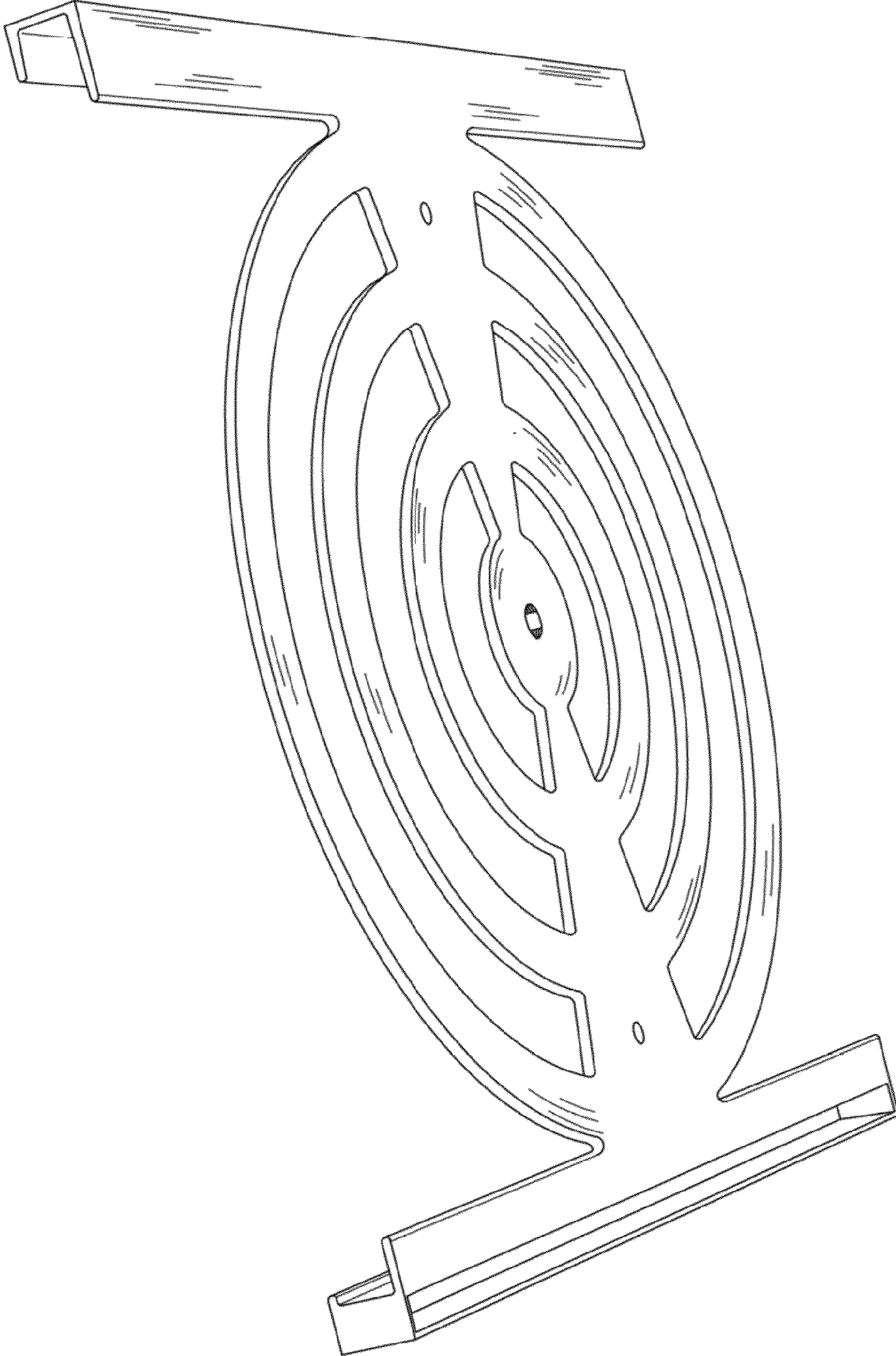


Fig. 3

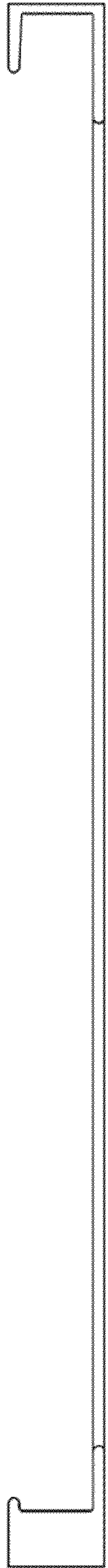


Fig. 4



Fig. 5



Fig. 6

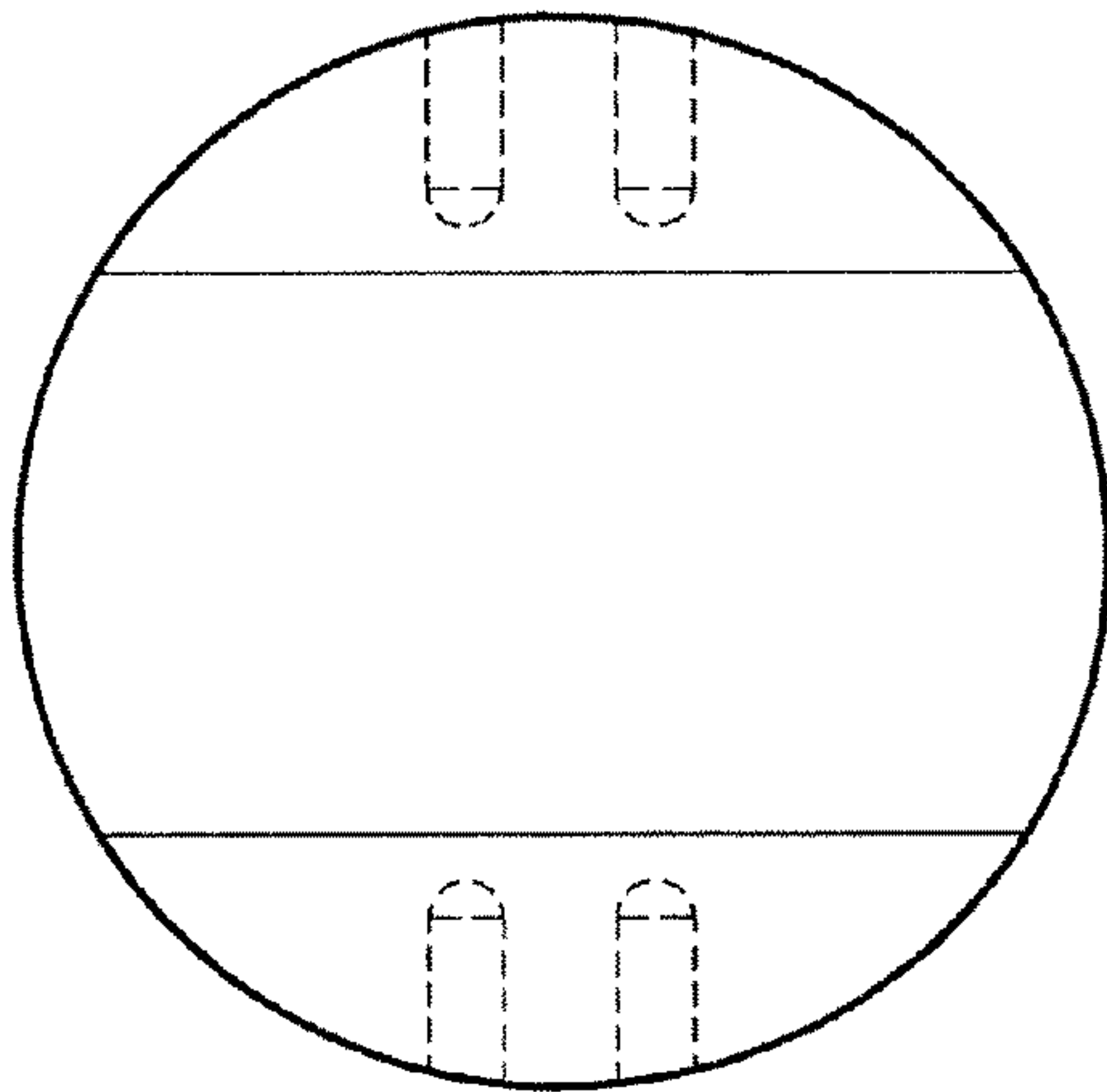


Fig. 7

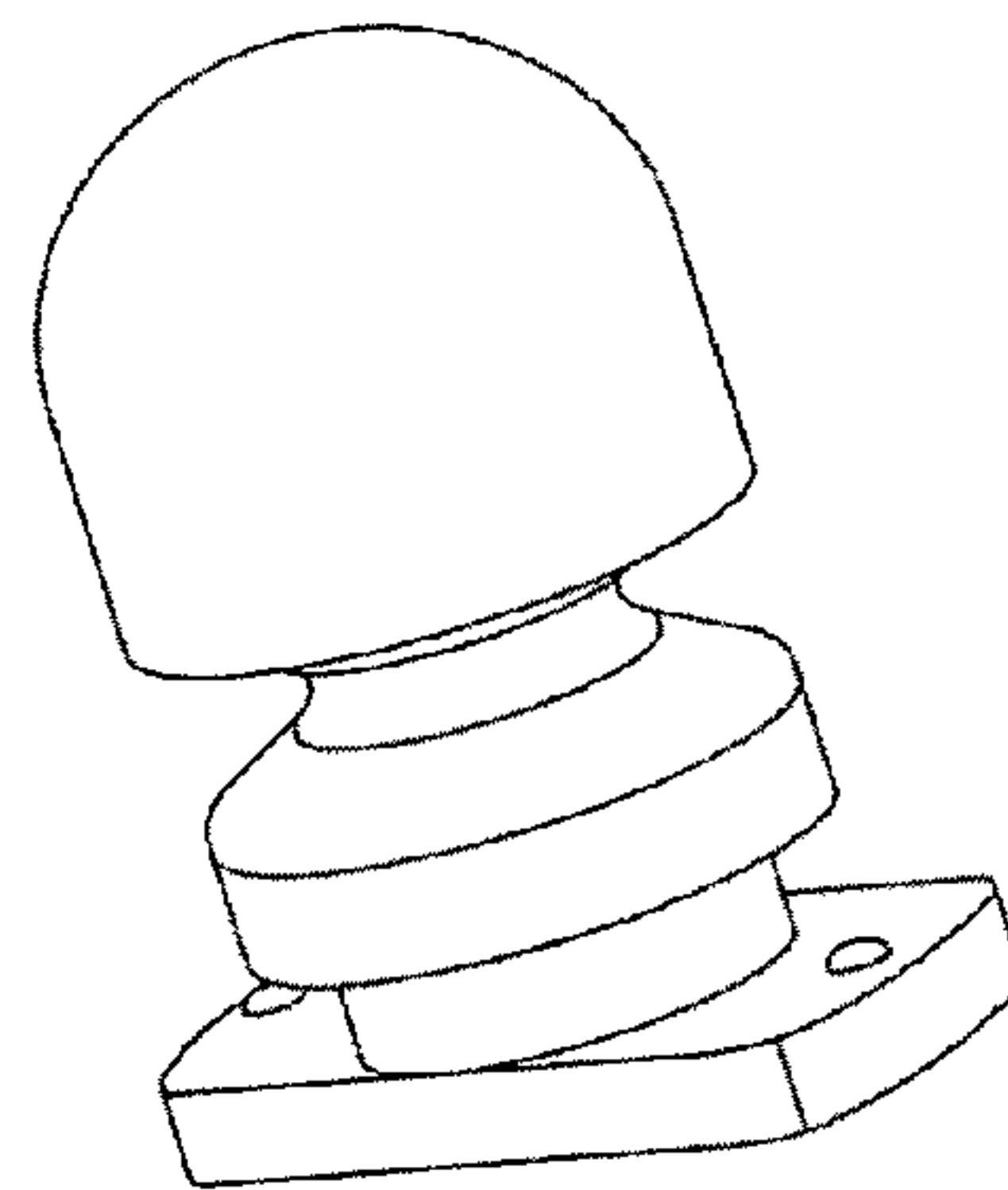


Fig. 8

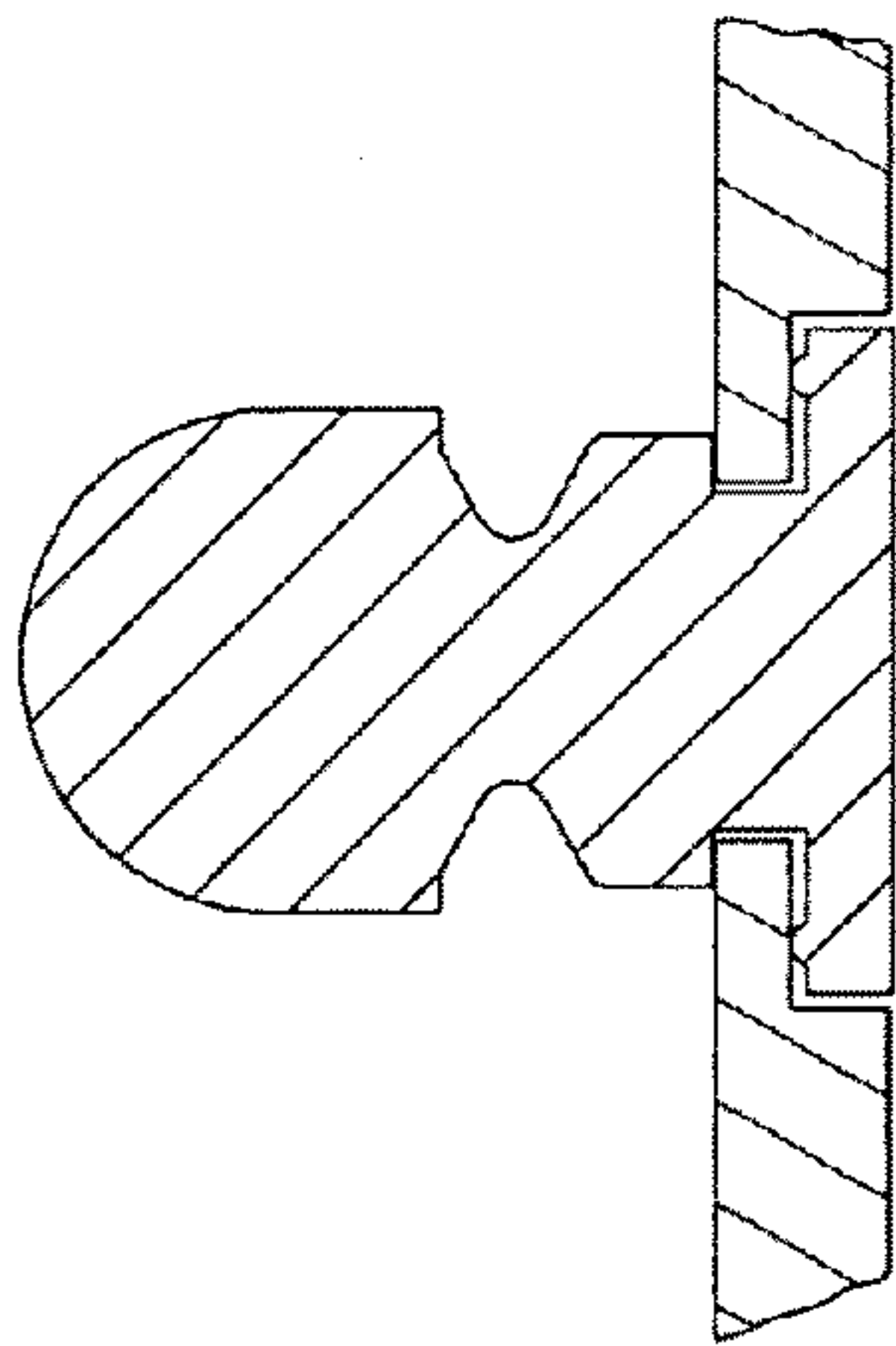


Fig. 9

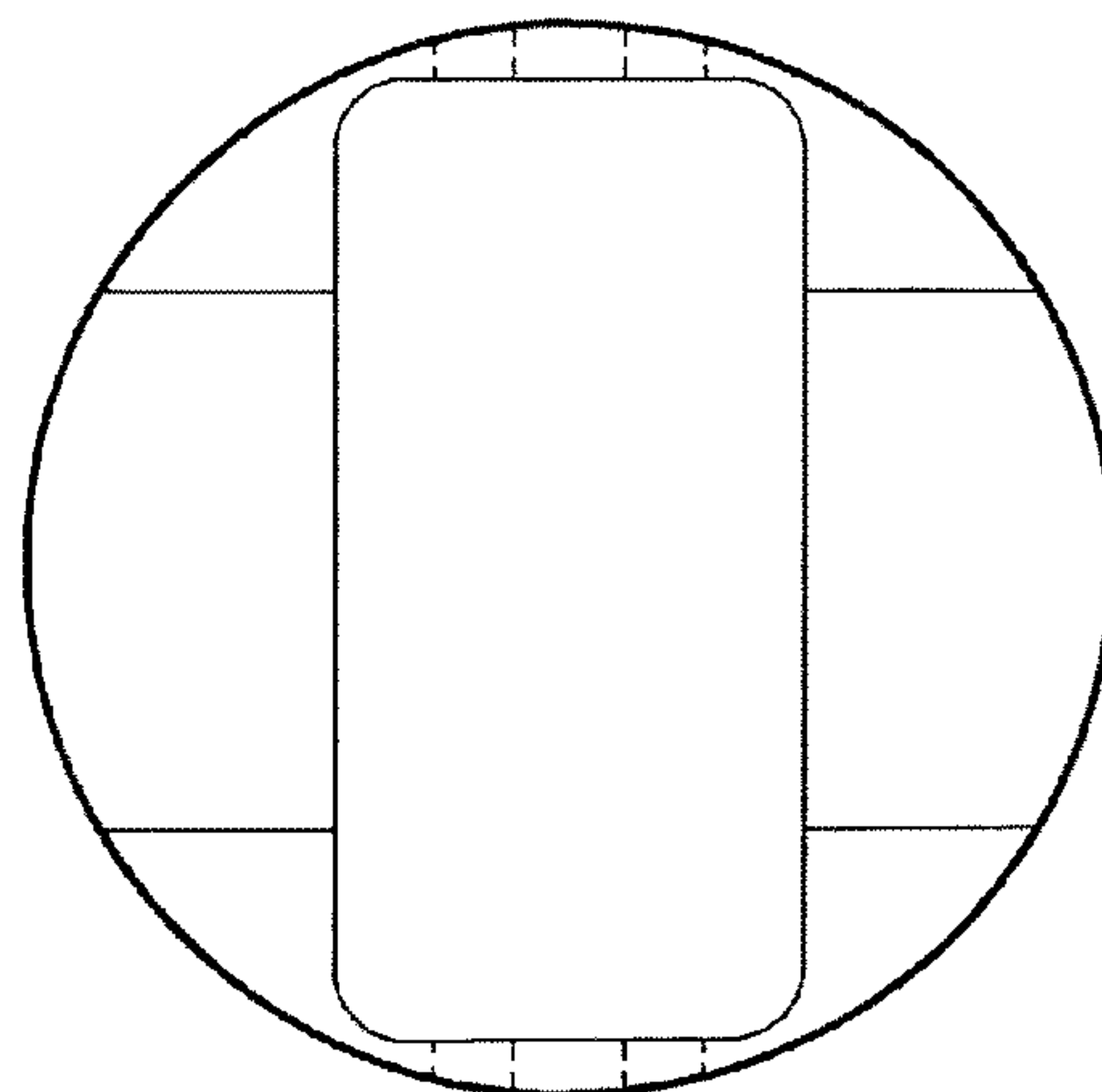


Fig. 10