



US00D746593S

(12) **United States Design Patent**
Kroll

(10) **Patent No.:** **US D746,593 S**

(45) **Date of Patent:** **** Jan. 5, 2016**

(54) **STORAGE BOX**

D721,495 S * 1/2015 Scott D3/307
D728,939 S * 5/2015 Suomela D3/304
D732,827 S * 6/2015 Suomela D3/304

(71) Applicant: **OKT Germany GmbH**, Sternwede (DE)

* cited by examiner

(72) Inventor: **Benjamin Kroll**, Gross-Gerau (DE)

Primary Examiner — Kelley Donnelly

(73) Assignee: **OKT Germany GmbH**, Sternwede (DE)

(74) *Attorney, Agent, or Firm* — Gudrun E. Huckett

(**) Term: **14 Years**

(57) **CLAIM**

(21) Appl. No.: **29/496,649**

The ornamental design for a storage box, as shown and described.

(22) Filed: **Jul. 16, 2014**

(30) **Foreign Application Priority Data**

DESCRIPTION

Jan. 16, 2014 (EM) 001399505-0001
Jan. 16, 2014 (EM) 001399505-0002

(51) **LOC (10) Cl.** **03-01**

(52) **U.S. Cl.**
USPC **D3/307**

(58) **Field of Classification Search**
USPC D3/304-315; D6/511, 424-425;
D32/37

CPC ... B65D 43/162; B65D 81/02; B65D 81/3813
See application file for complete search history.

(56) **References Cited**

U.S. PATENT DOCUMENTS

D379,718 S * 6/1997 Raghunathan D3/312
D424,117 S * 5/2000 Steinbeck D19/75
D505,788 S * 6/2005 Sorrenti D3/304
D538,536 S * 3/2007 Kopenhaver D3/305
D549,454 S * 8/2007 Åhman D3/304
D648,535 S * 11/2011 Reinhart D3/302

FIG. 1 is a top perspective view of the first embodiment my storage box;

FIG. 2 is a top plan view thereof;

FIG. 3 is a front view thereof;

FIG. 4 is a rear view thereof;

FIG. 5 is a right side view thereof;

FIG. 6 is a left side view thereof;

FIG. 7 is a bottom plan view thereof;

FIG. 8 is a bottom perspective view thereof.

FIG. 9 is a top perspective view of the second embodiment my storage box;

FIG. 10 is a top plan view thereof;

FIG. 11 is a front view thereof;

FIG. 12 is a rear view thereof;

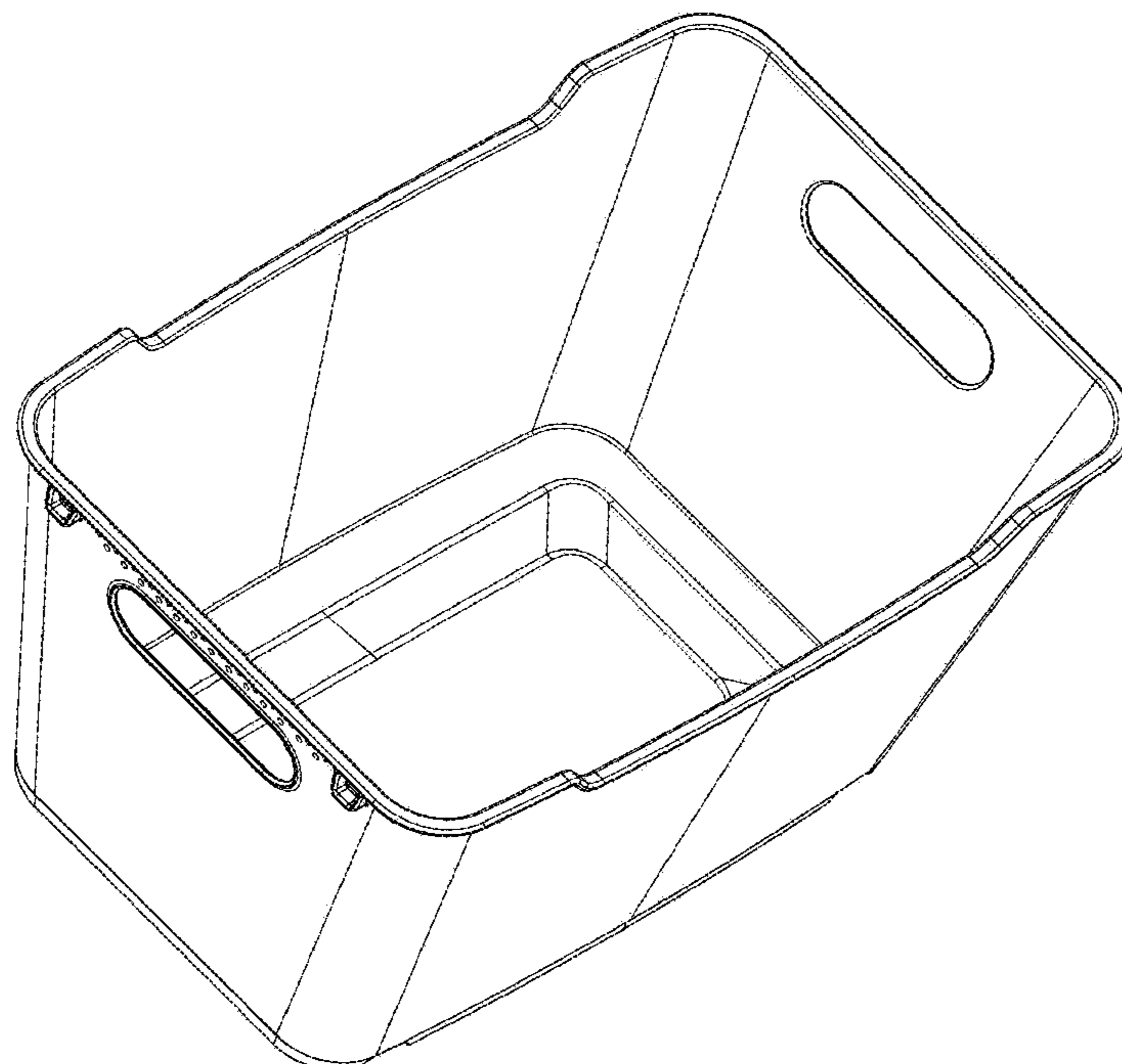
FIG. 13 is a right side view thereof;

FIG. 14 is a left side view thereof;

FIG. 15 is a bottom plan view thereof; and,

FIG. 16 is a bottom perspective view thereof.

1 Claim, 16 Drawing Sheets



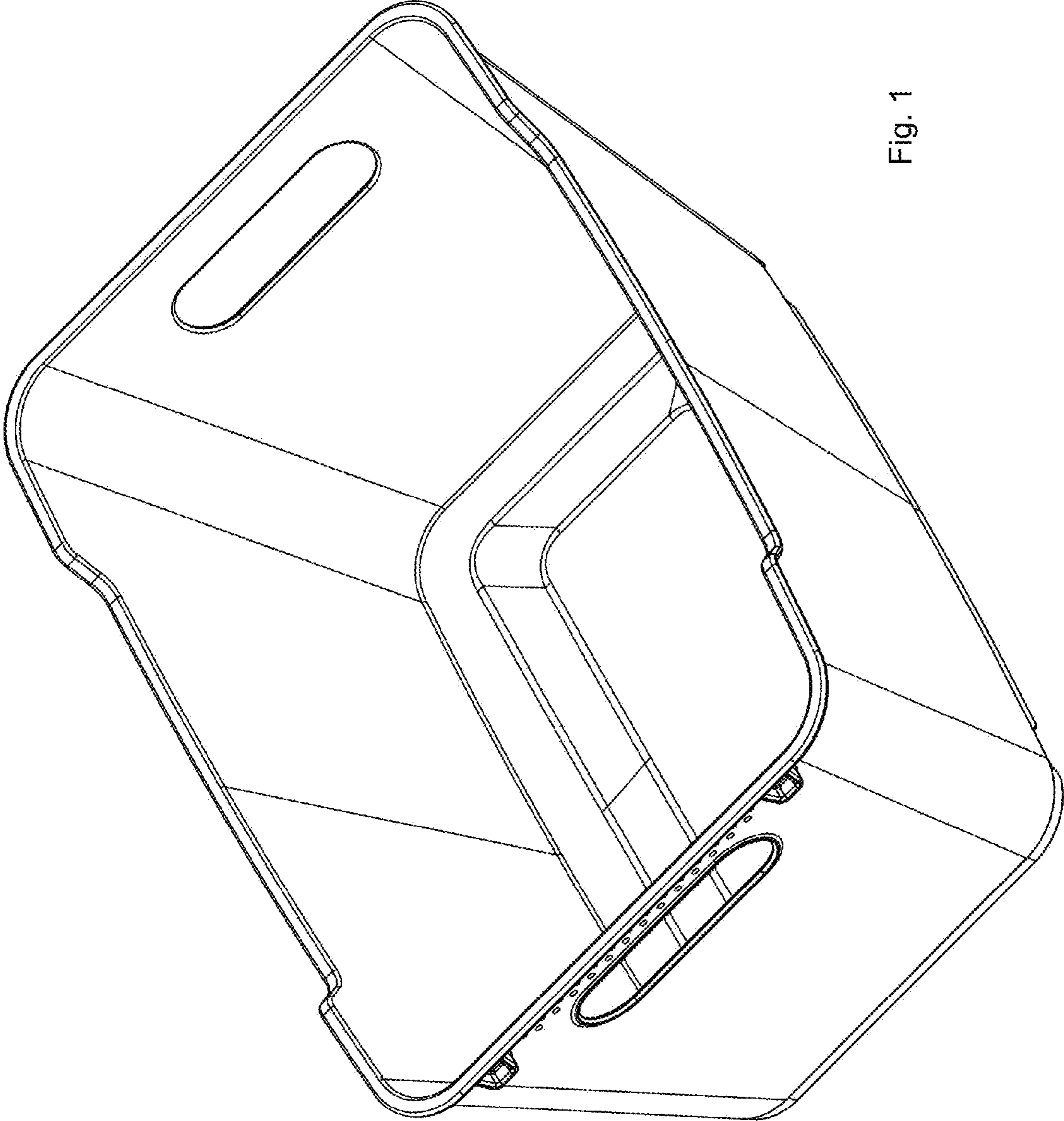


Fig. 1

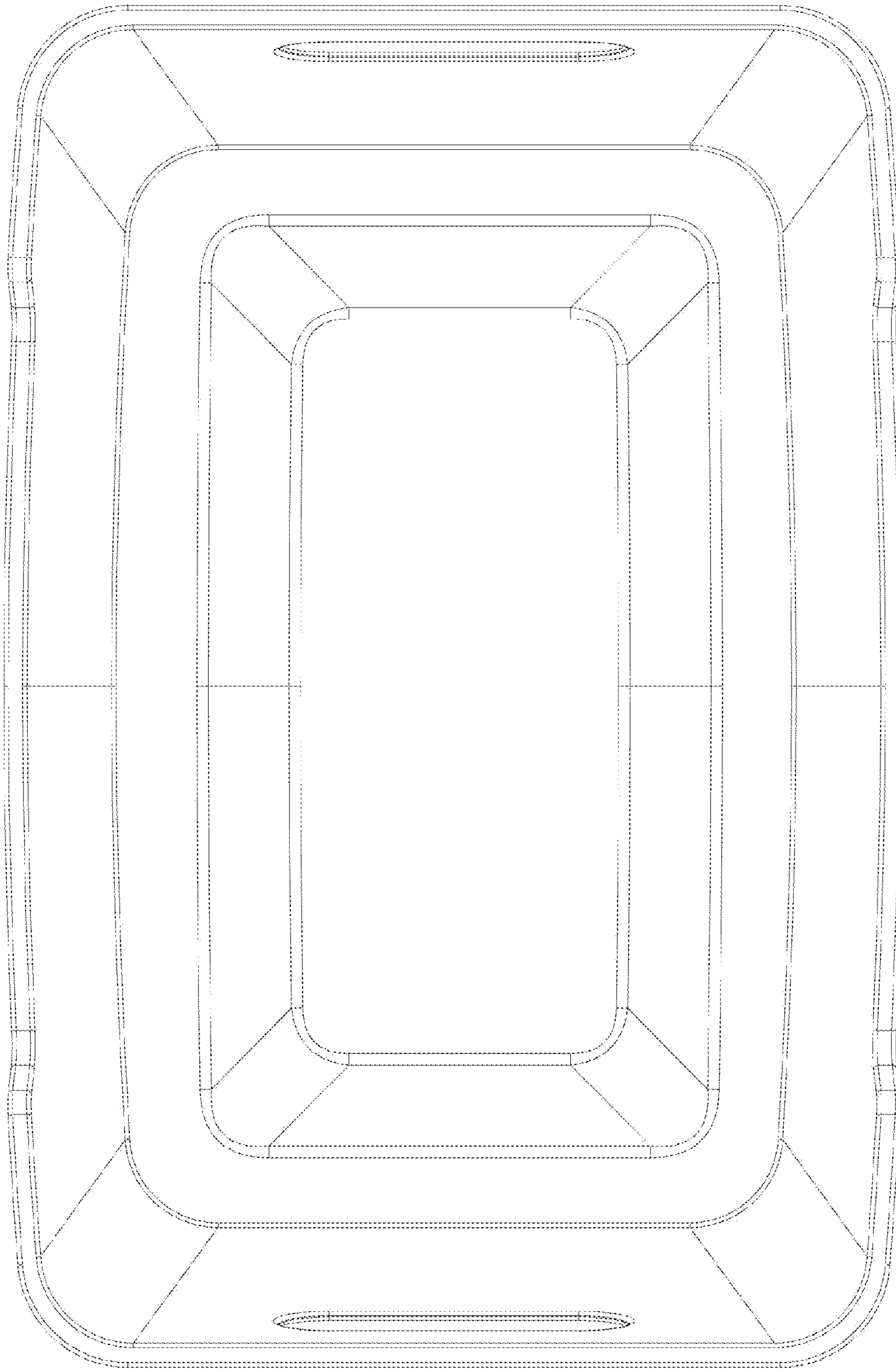


Fig. 2

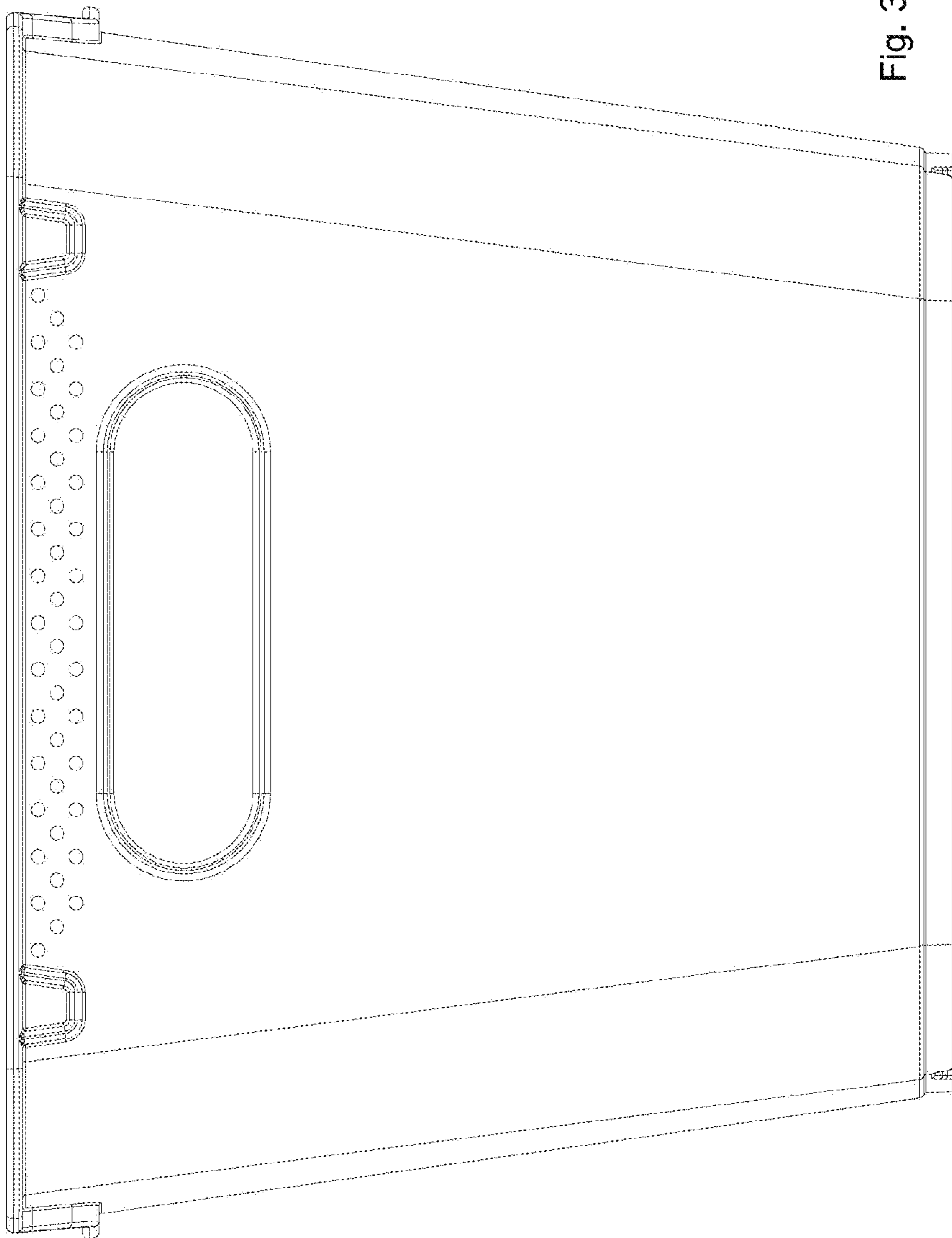


Fig. 3

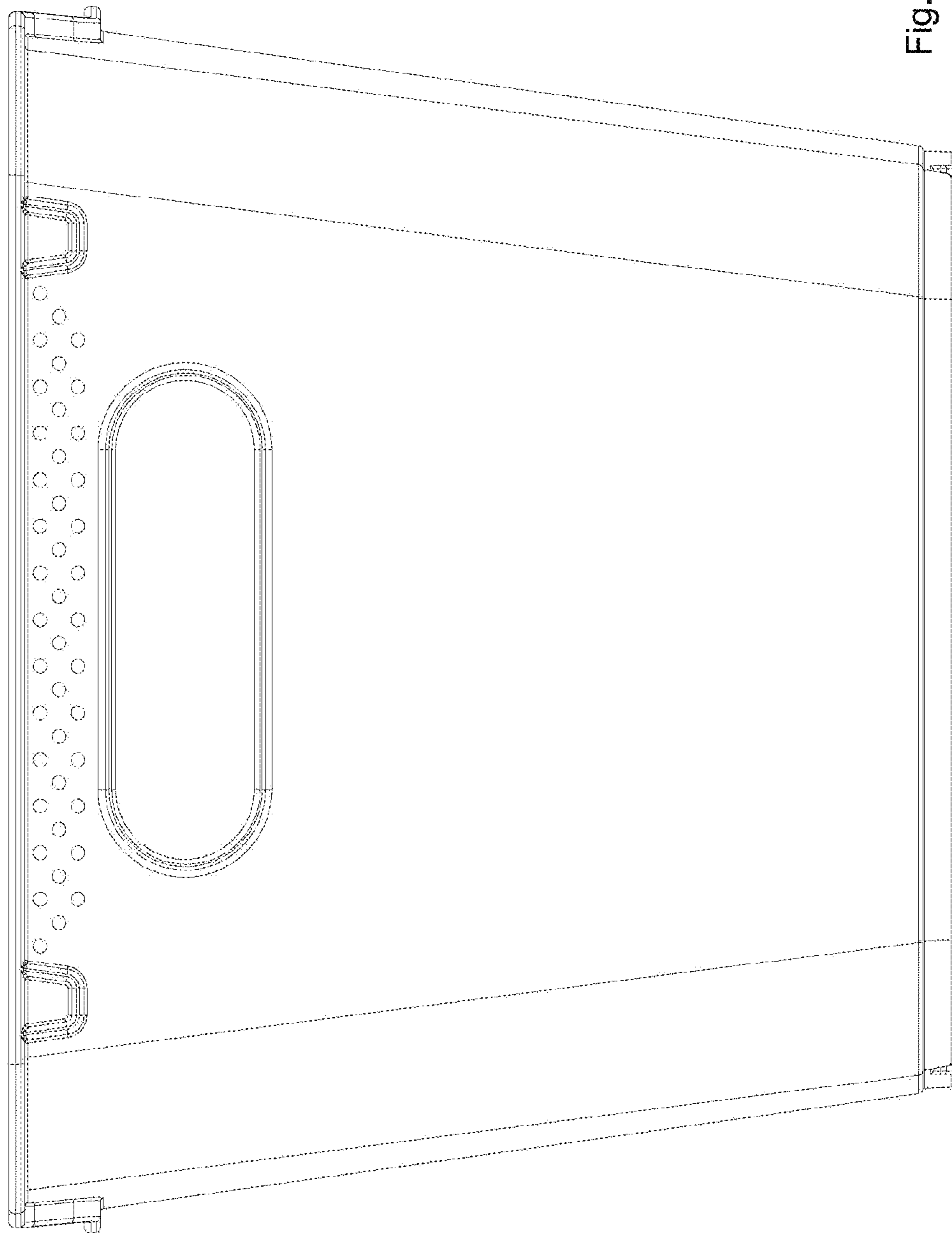


Fig. 4

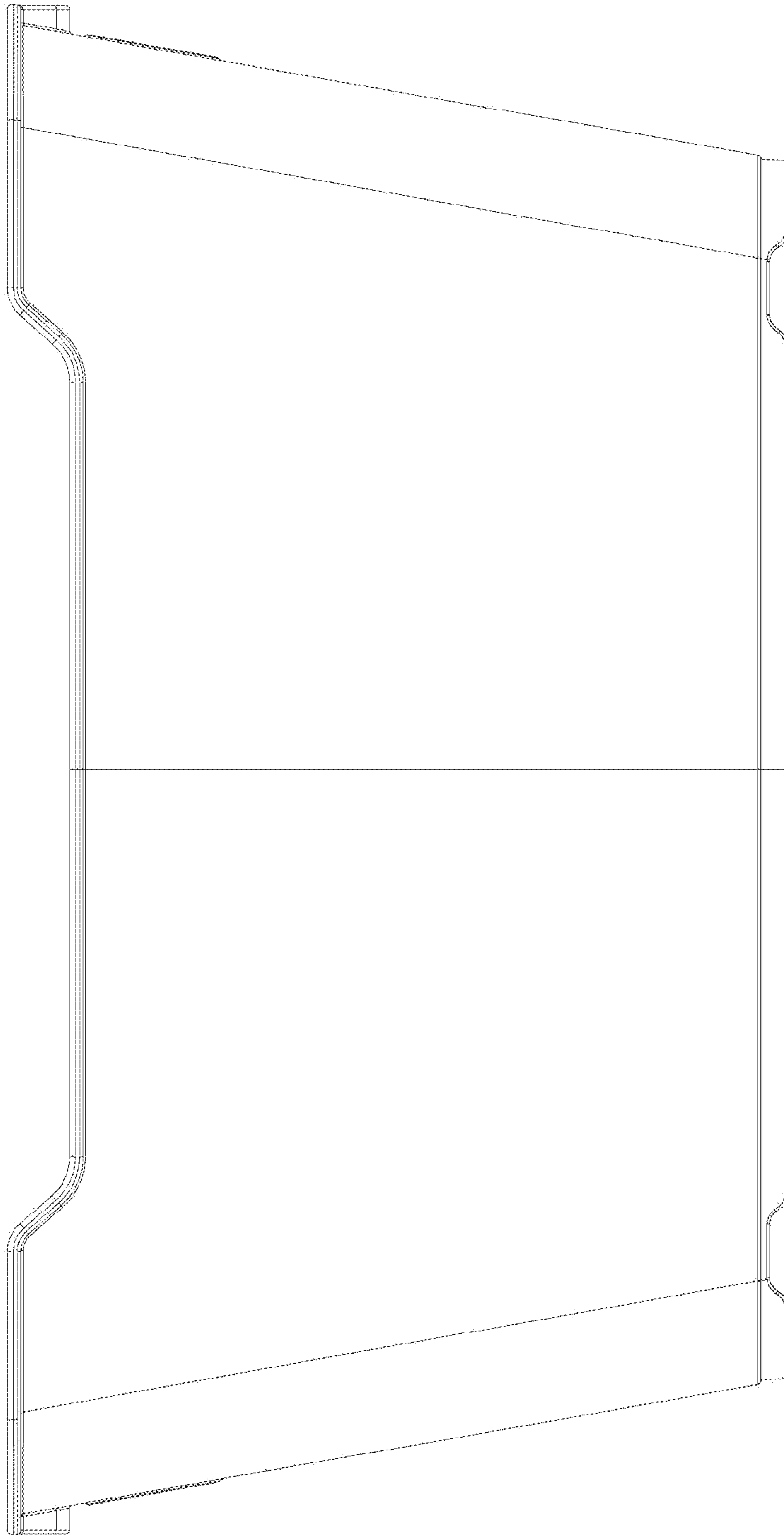


Fig. 5

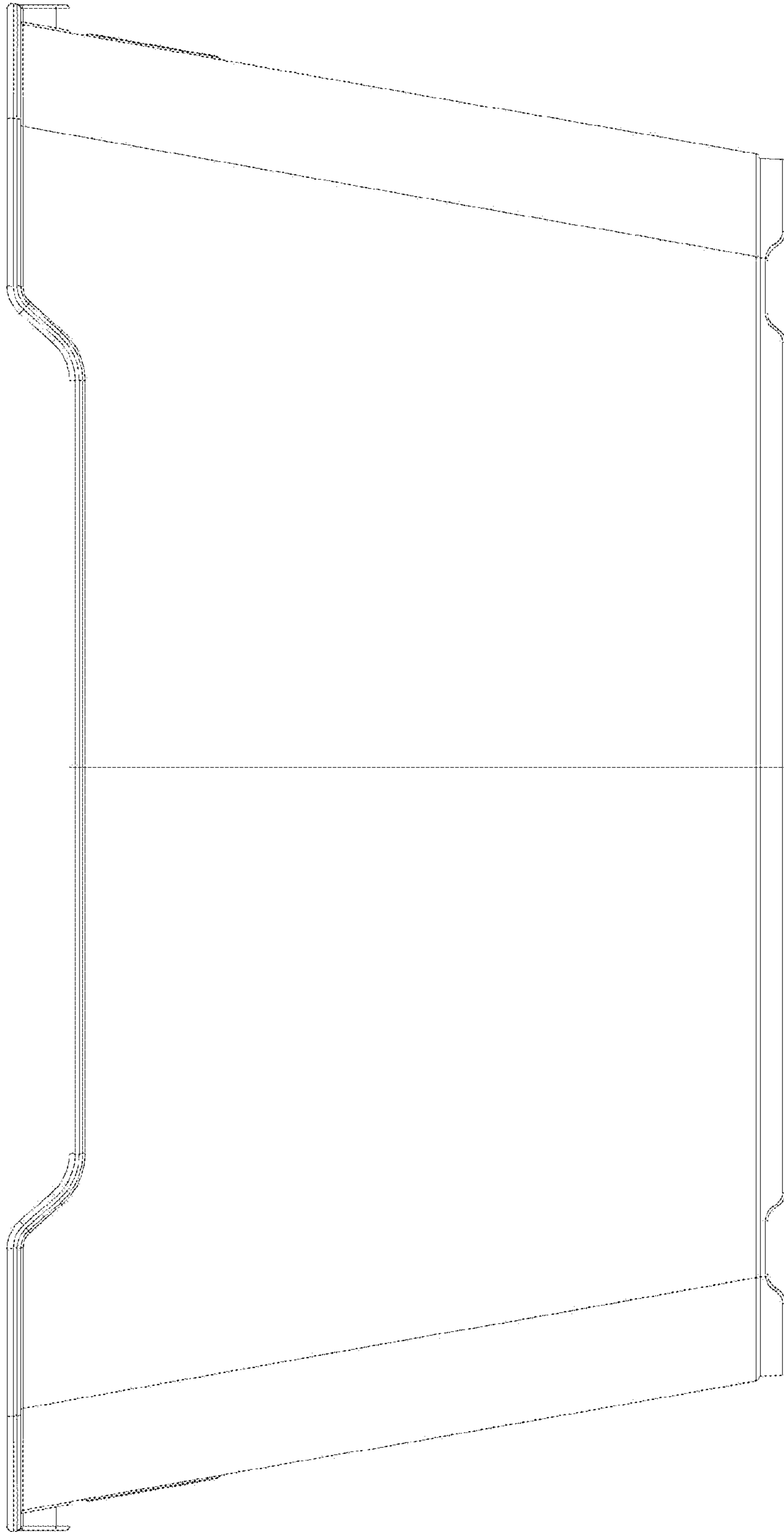


Fig. 6

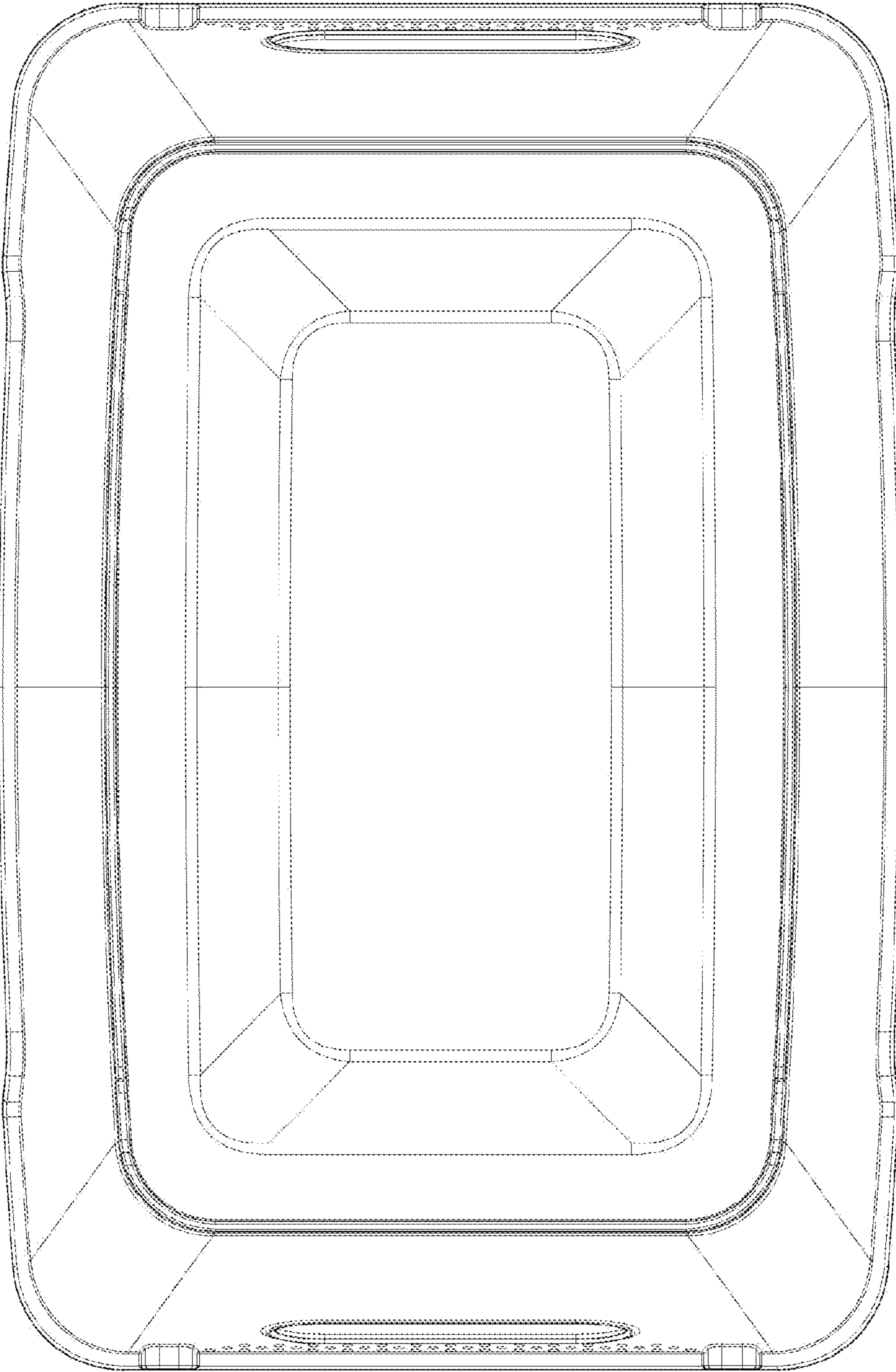
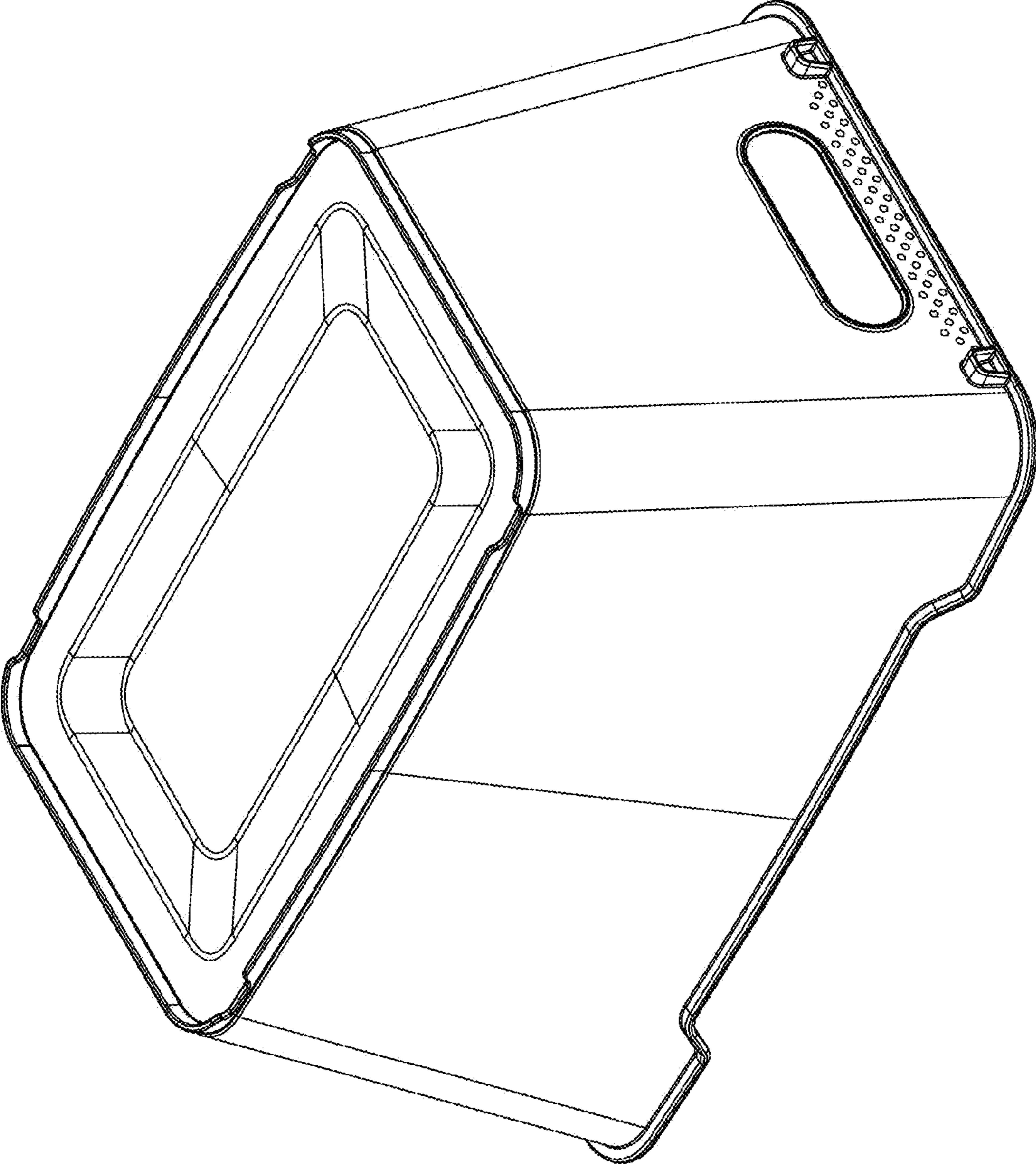


Fig. 7

Fig. 8



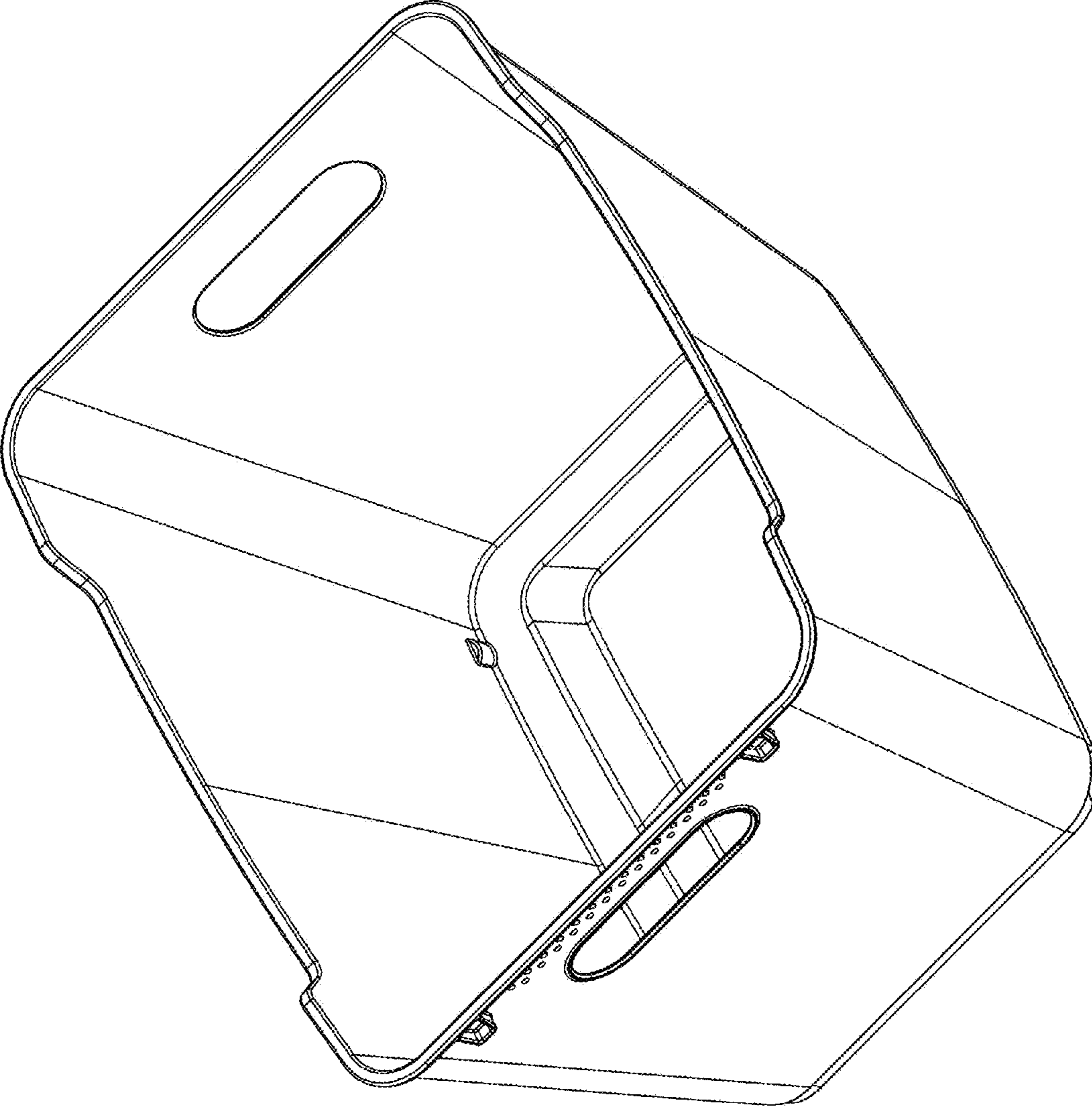


Fig. 9

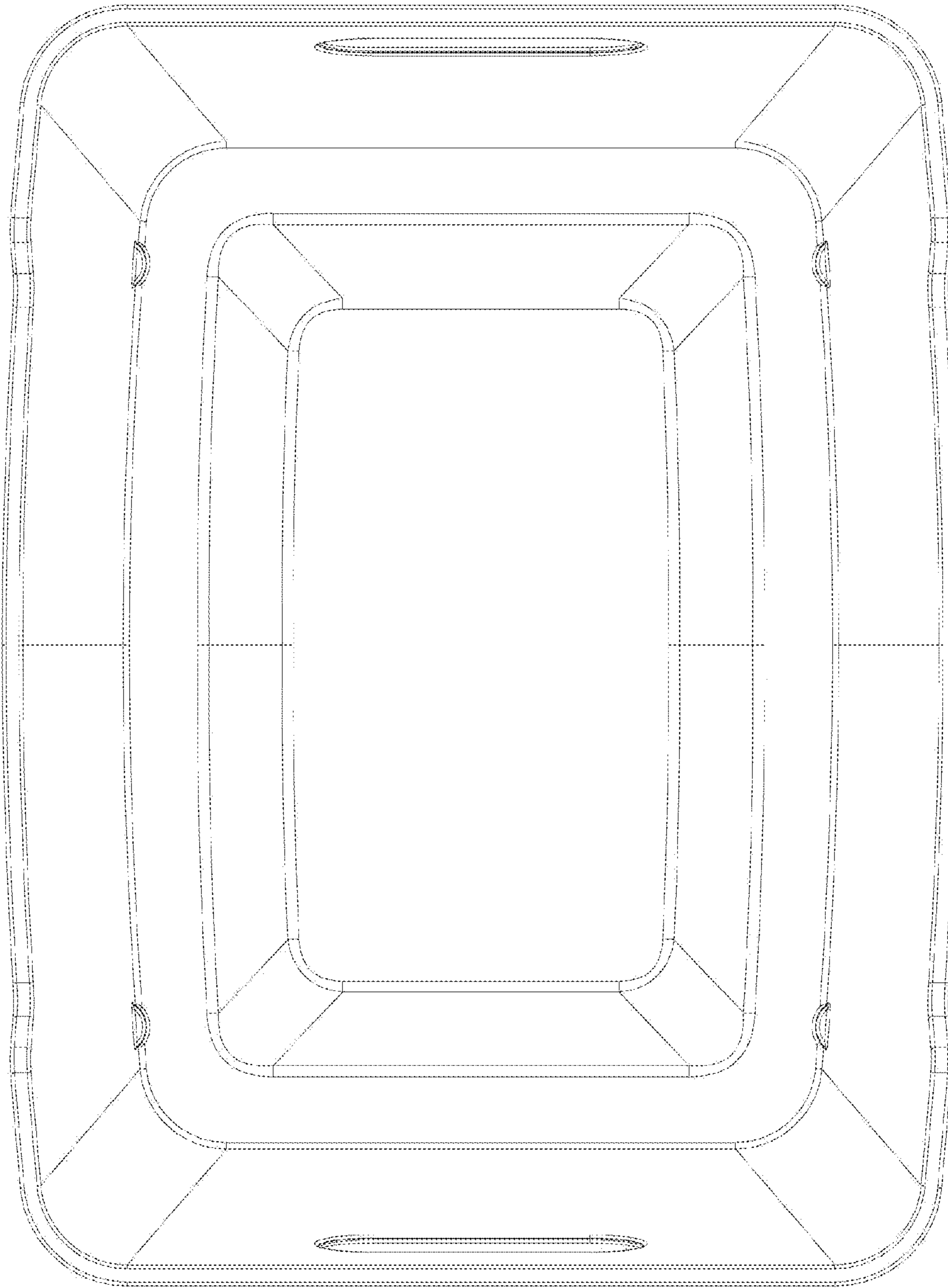


Fig. 10

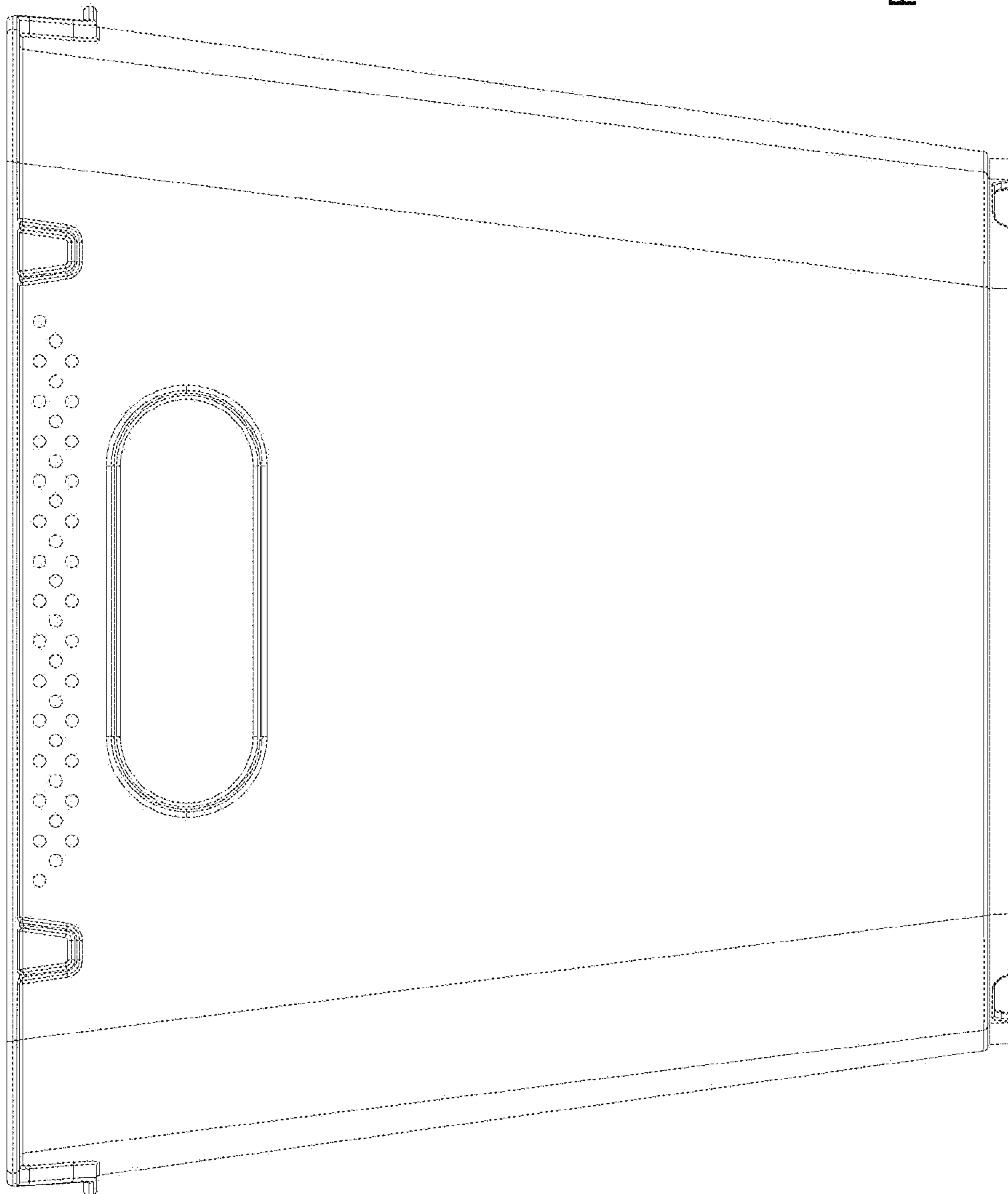
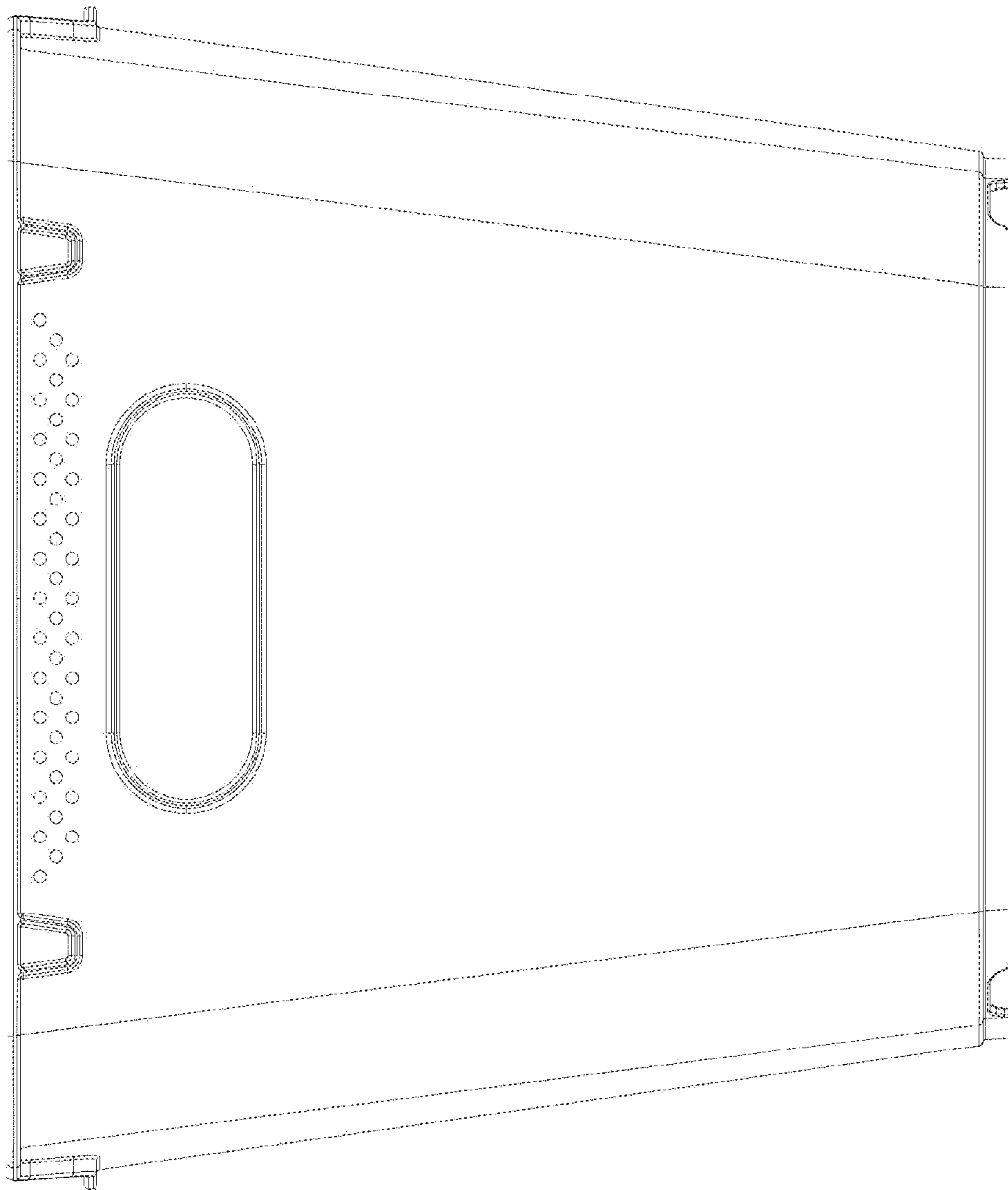


Fig. 11

Fig. 12



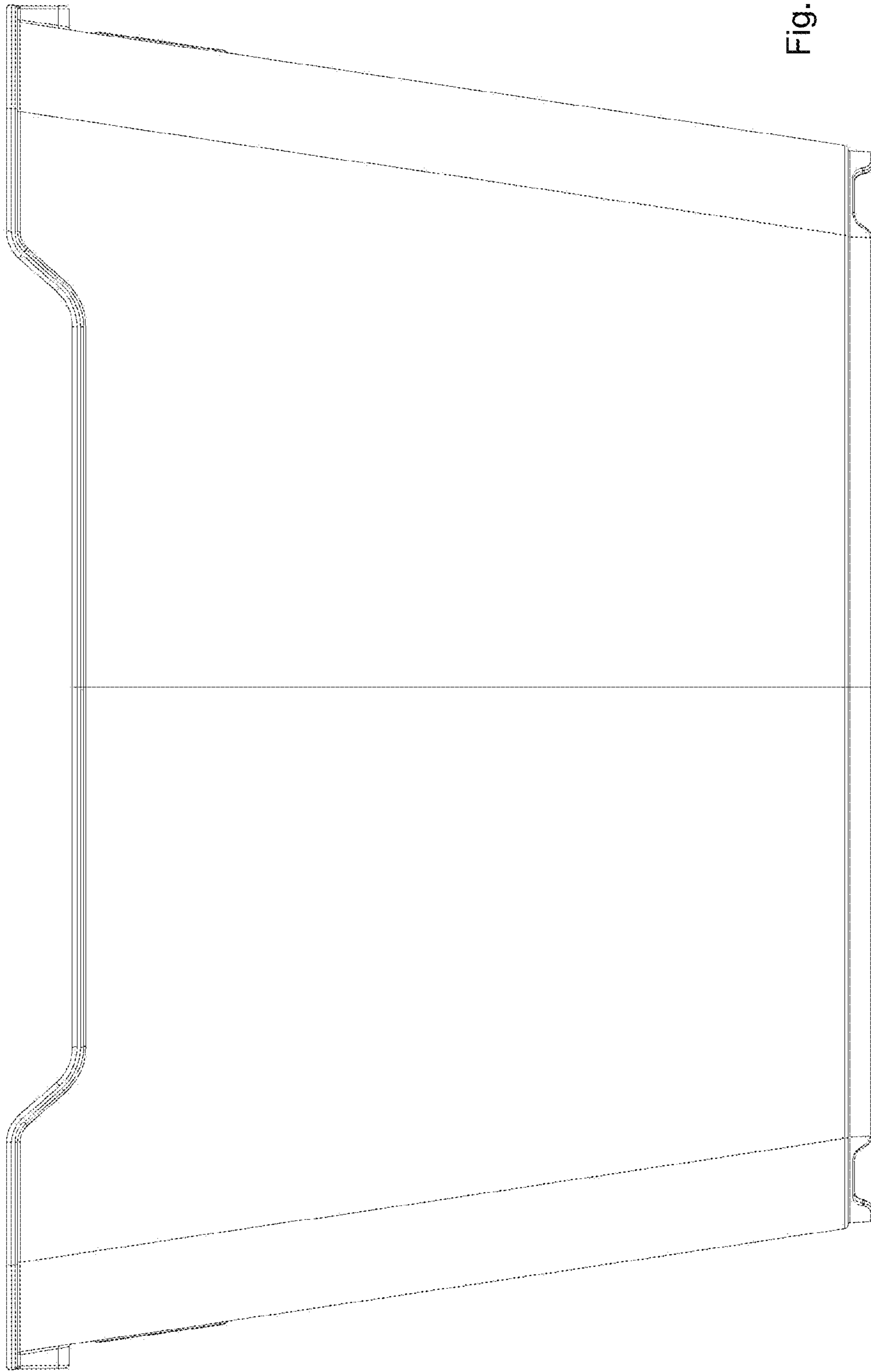


Fig. 13

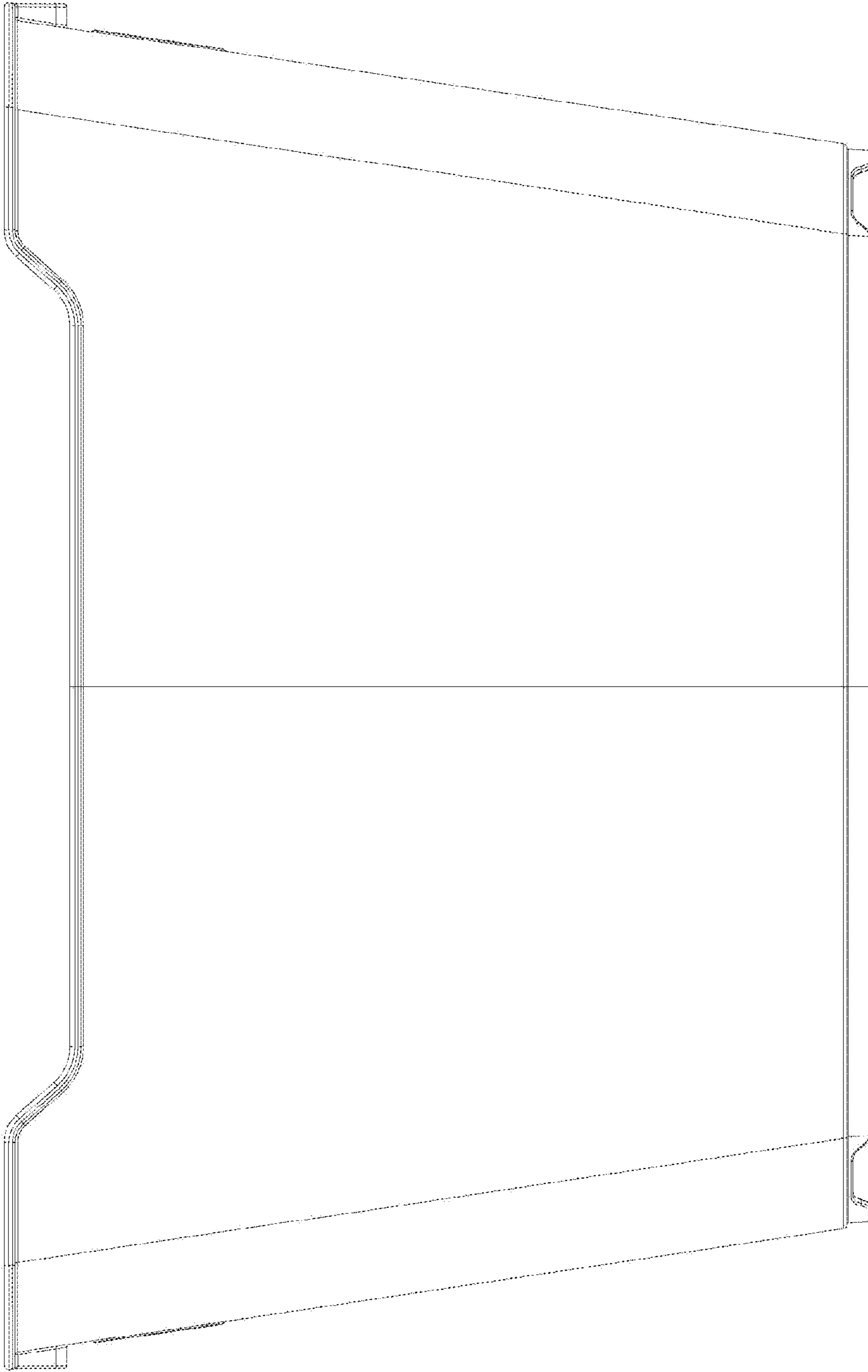


Fig. 14

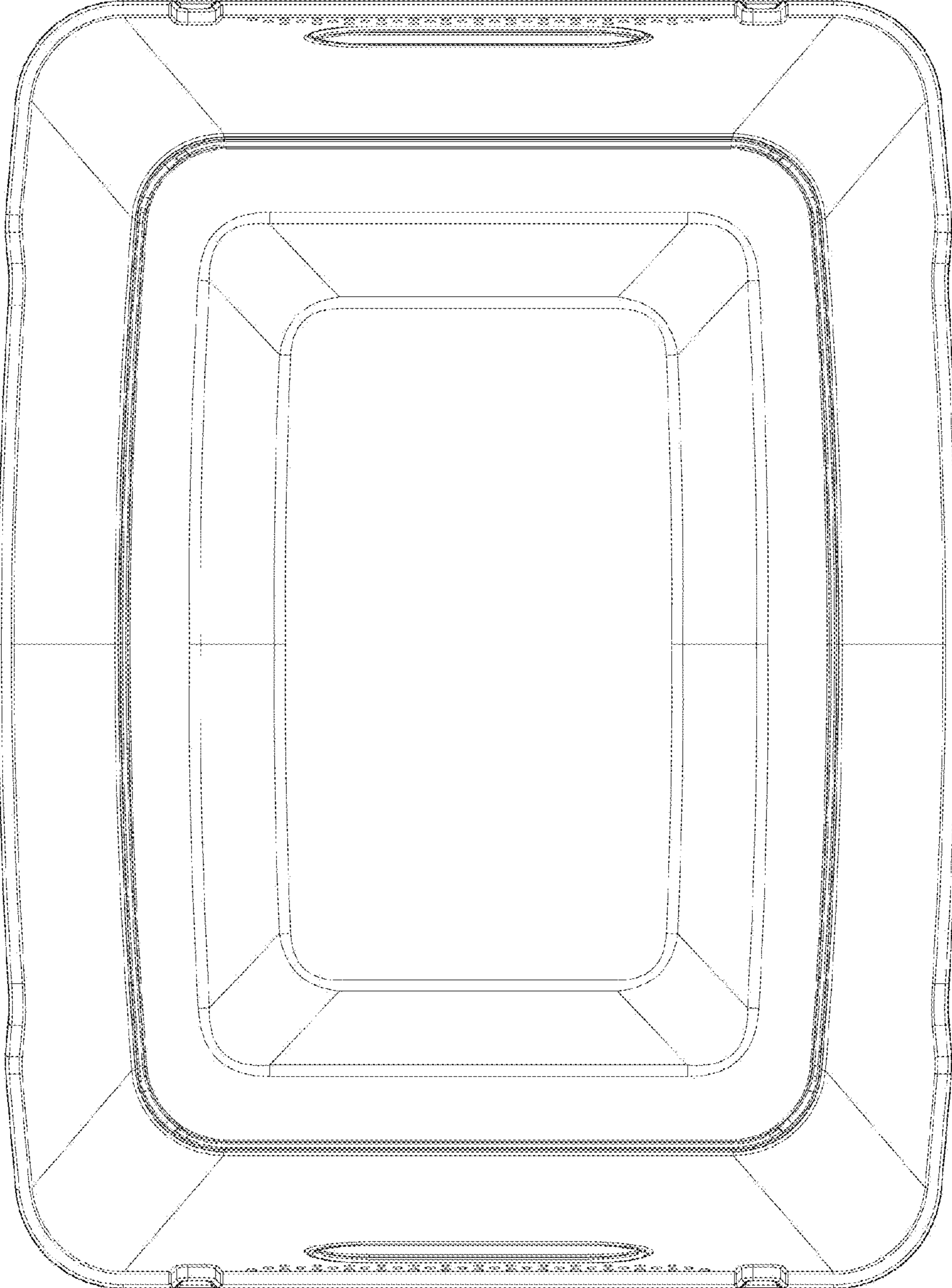


Fig. 15

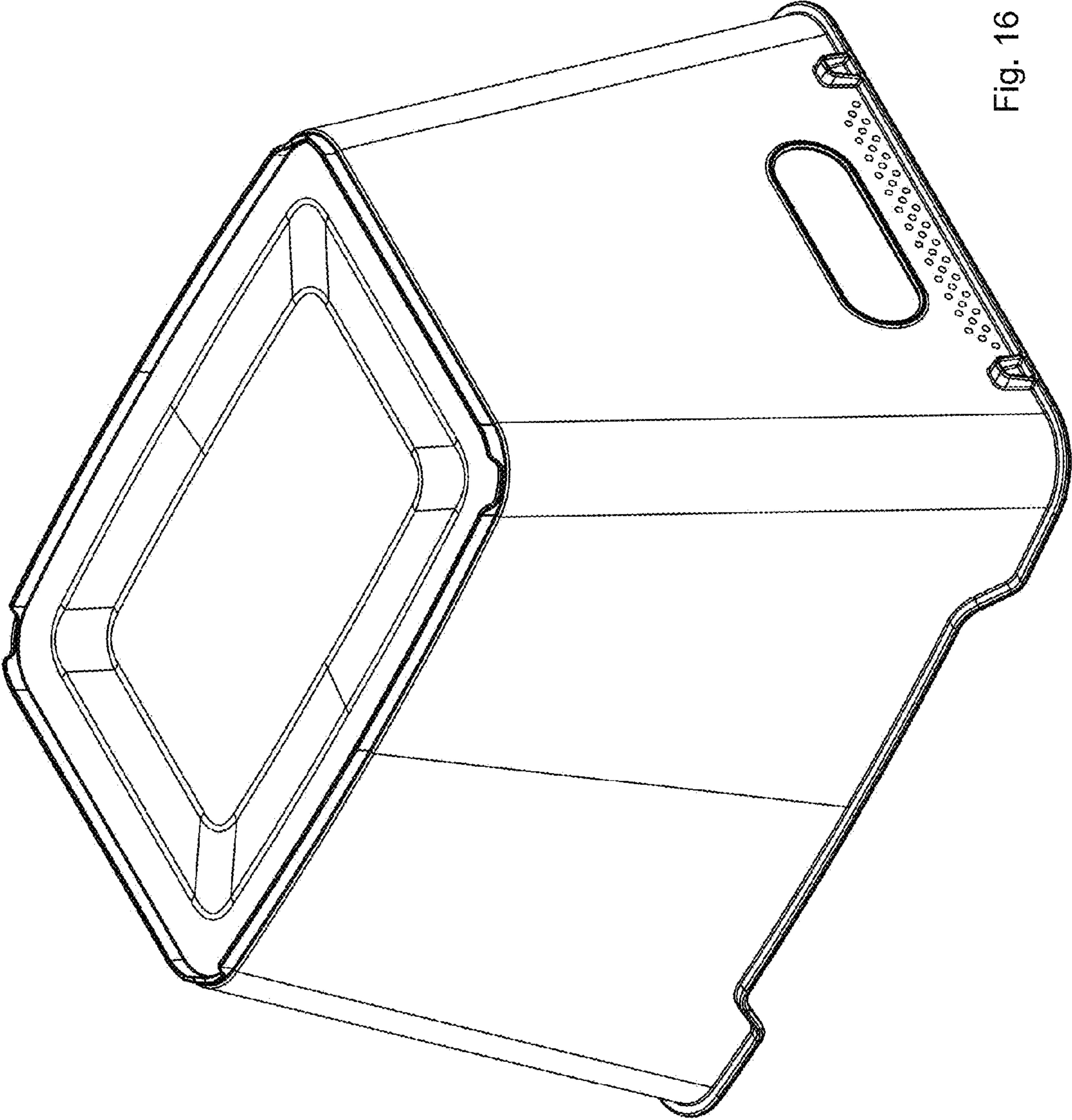


Fig. 16