



US00D746592S

(12) **United States Design Patent**
Goodman et al.

(10) **Patent No.:** **US D746,592 S**
(45) **Date of Patent:** **** Jan. 5, 2016**

- (54) **BASKET AND HOOK ASSEMBLY**
- (71) Applicant: **Spectrum Diversified Designs, Inc.**,
Streetsboro, OH (US)
- (72) Inventors: **Sheldon H. Goodman**, Solon, OH (US);
Phaysouk Xayoiphonh, Akron, OH
(US)
- (73) Assignee: **Spectrum Diversified Designs, LLC**,
Streetsboro, OH (US)

D496,321 S *	9/2004	McMurtrey	D12/223
D508,167 S *	8/2005	Anderson	D3/306
D586,558 S *	2/2009	Ziemann	D3/304
D616,680 S *	6/2010	Snider	D6/513
D675,825 S *	2/2013	Levie	D3/311
D676,370 S *	2/2013	Pawsat	D12/223
D693,577 S *	11/2013	Goodman	D3/306
D710,124 S *	8/2014	Goodman	D3/306
D717,072 S *	11/2014	Callif	D6/566
D723,301 S *	3/2015	Callif	D3/306
D727,059 S *	4/2015	Williams	D6/525
D728,255 S *	5/2015	Guindi	D6/513

* cited by examiner

(**) Term: **14 Years**

Primary Examiner — Kelley Donnelly

(21) Appl. No.: **29/519,067**

(74) *Attorney, Agent, or Firm* — Renner, Otto, Boissell & Sklar, LLP

(22) Filed: **Mar. 2, 2015**

(51) **LOC (10) Cl.** **03-01**

(52) **U.S. Cl.**
USPC **D3/306**

(58) **Field of Classification Search**
USPC D3/304, 306, 310, 311, 312, 313, 315;
D6/513, 525, 566, 574; D12/223
CPC B65D 1/38; A47J 47/18; A47J 45/00
See application file for complete search history.

(57) **CLAIM**

The ornamental design for a basket and hook assembly, as shown and described.

DESCRIPTION

FIG. 1 is a perspective view of a basket and hook assembly showing our new design.
FIG. 2 is a front view thereof.
FIG. 3 is a rear view thereof.
FIG. 4 is a right side view thereof.
FIG. 5 is a left side view thereof.
FIG. 6 is a top view thereof; and,
FIG. 7 is a bottom view thereof.

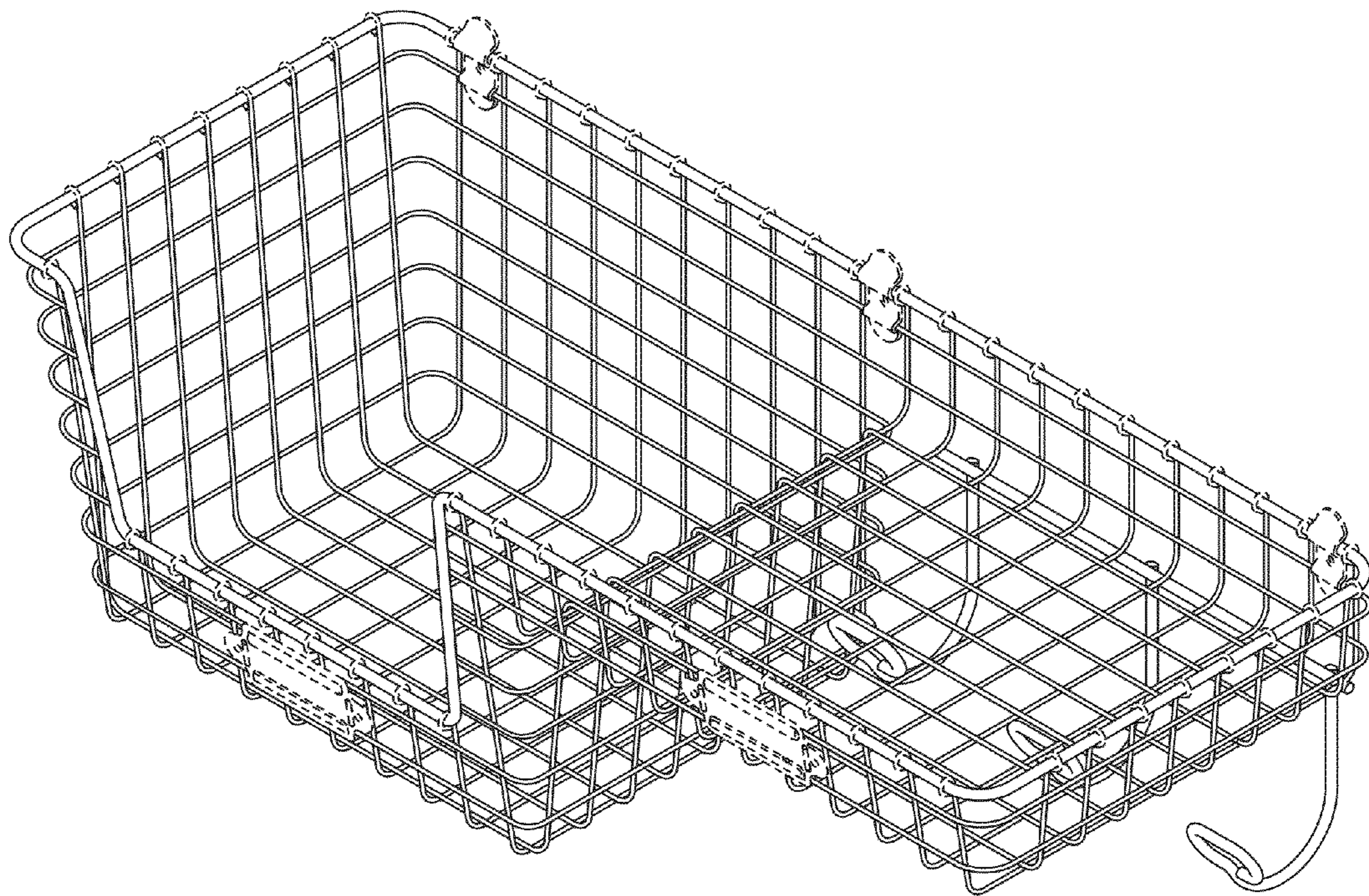
The broken lines shown in the drawings are for illustrative purposes only and form no part of the claimed design.

(56) **References Cited**

U.S. PATENT DOCUMENTS

D396,770 S *	8/1998	Hoernig	D6/566
D412,080 S *	7/1999	Emery	D6/513
D444,012 S *	6/2001	Ferrer Beltran	D6/536
D479,663 S *	9/2003	Snell	D6/525

1 Claim, 4 Drawing Sheets



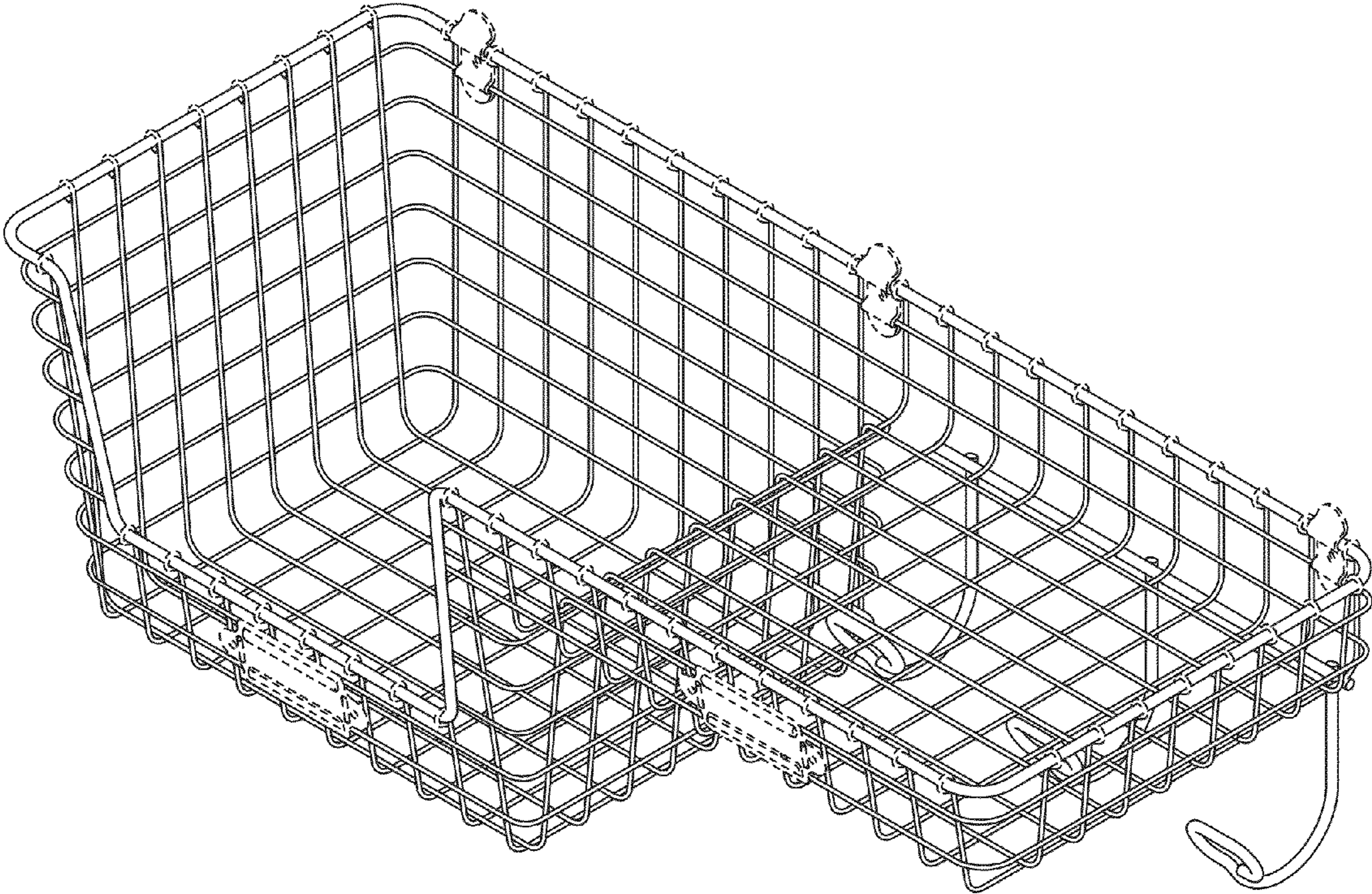


FIG. 1

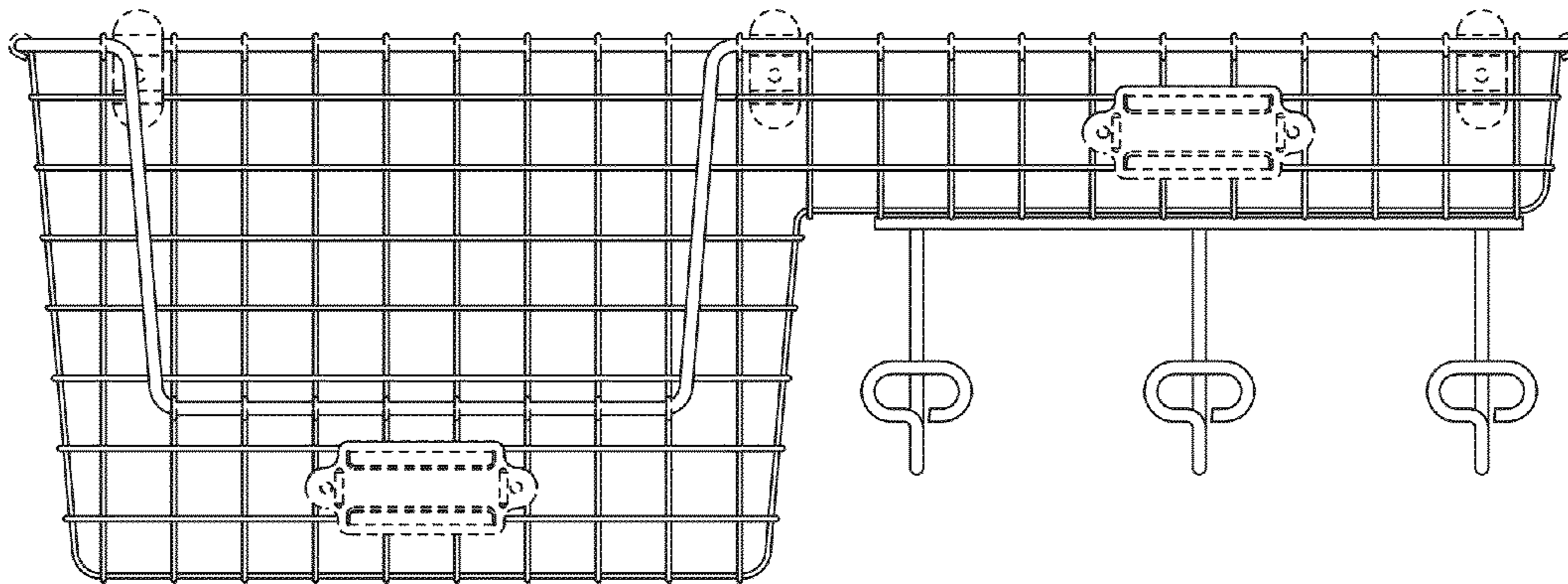


FIG. 2

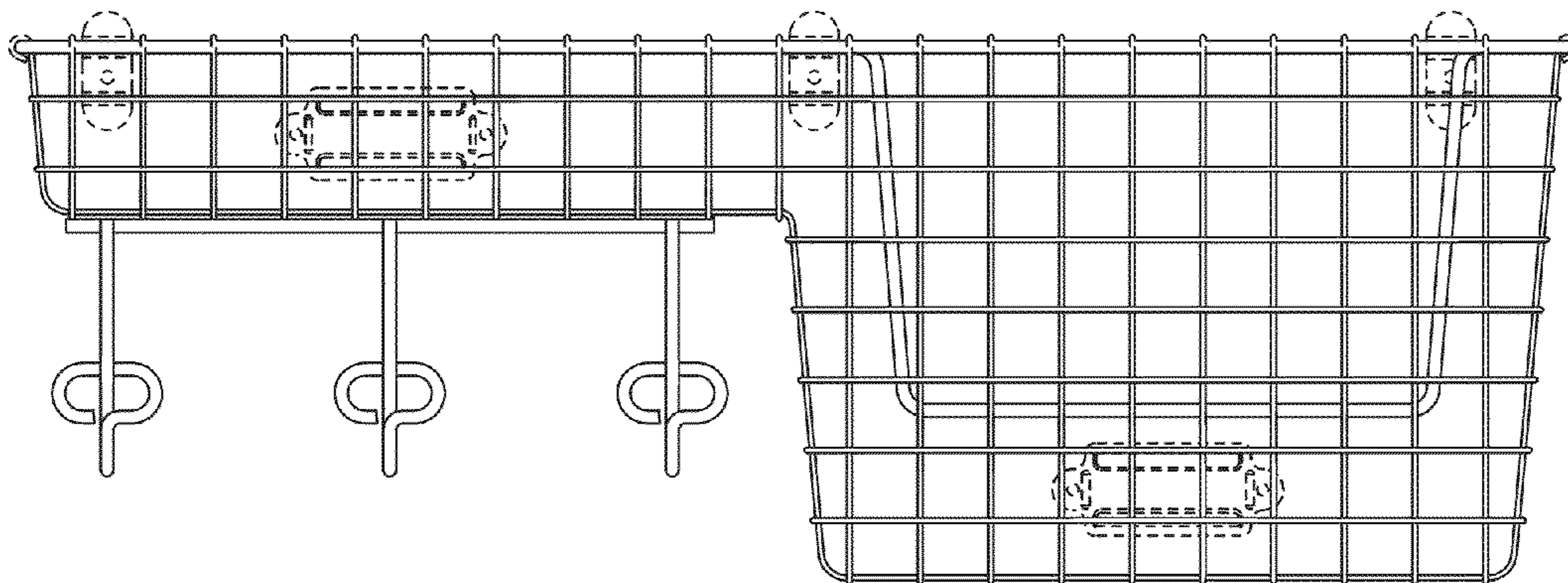


FIG. 3

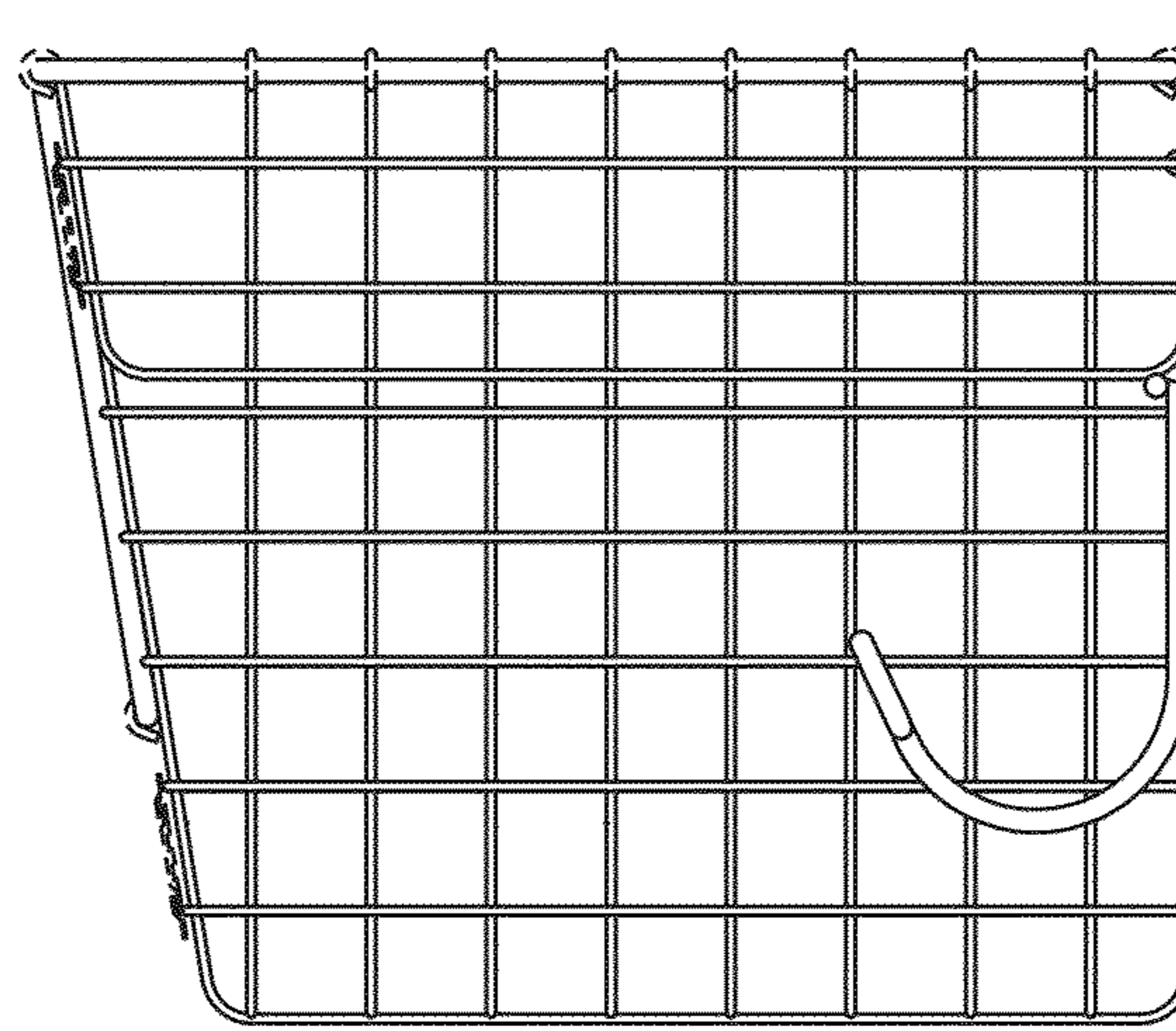


FIG. 4

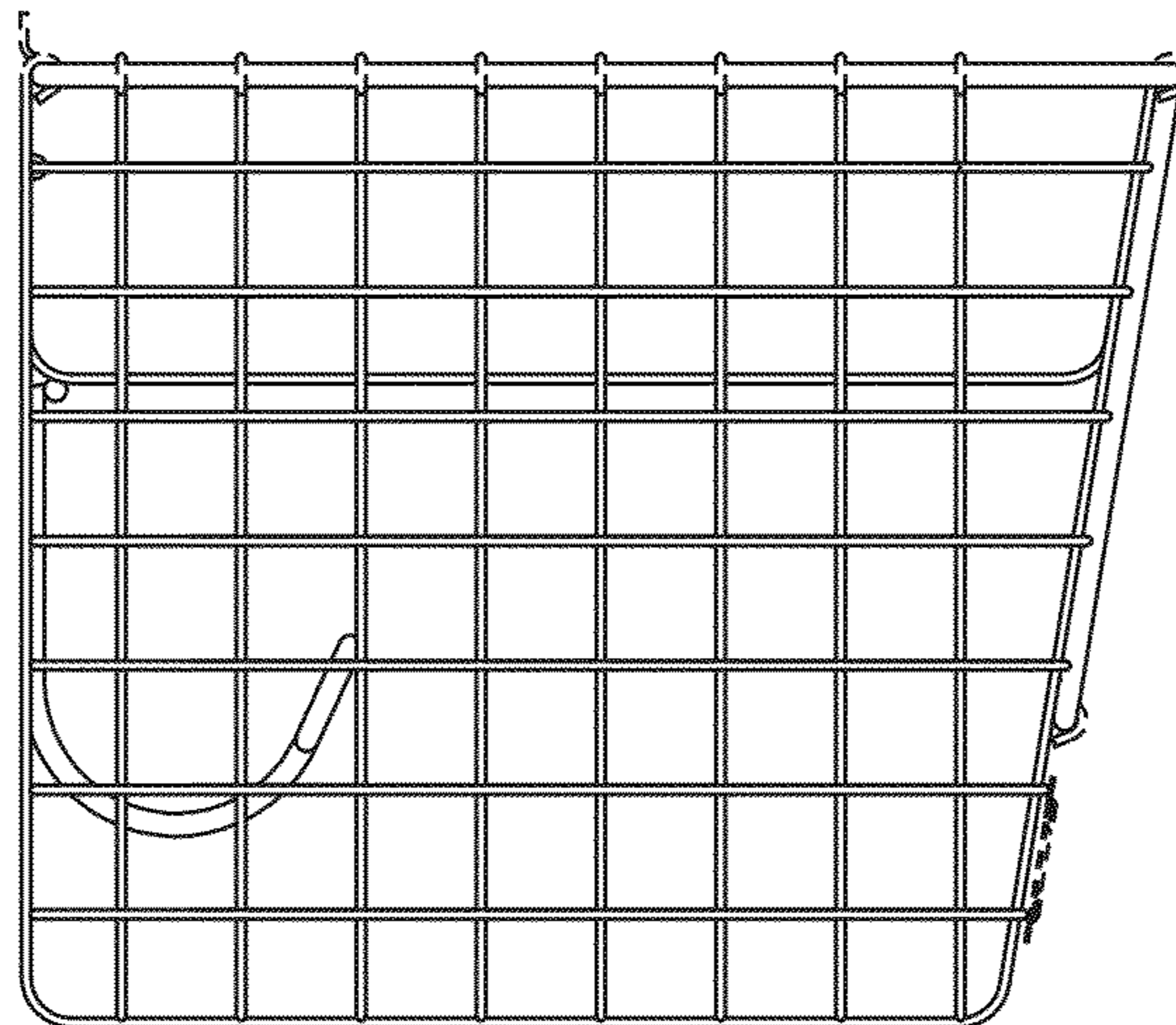


FIG. 5

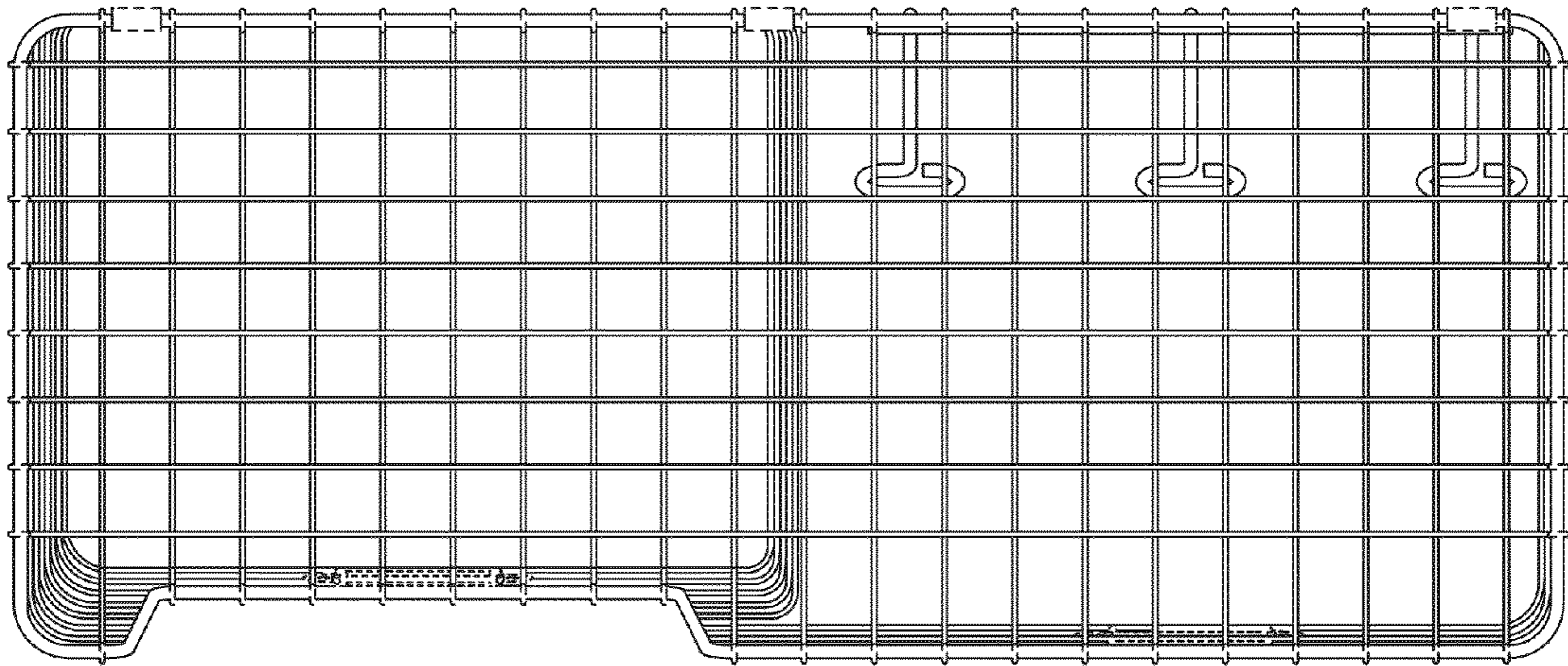


FIG. 6

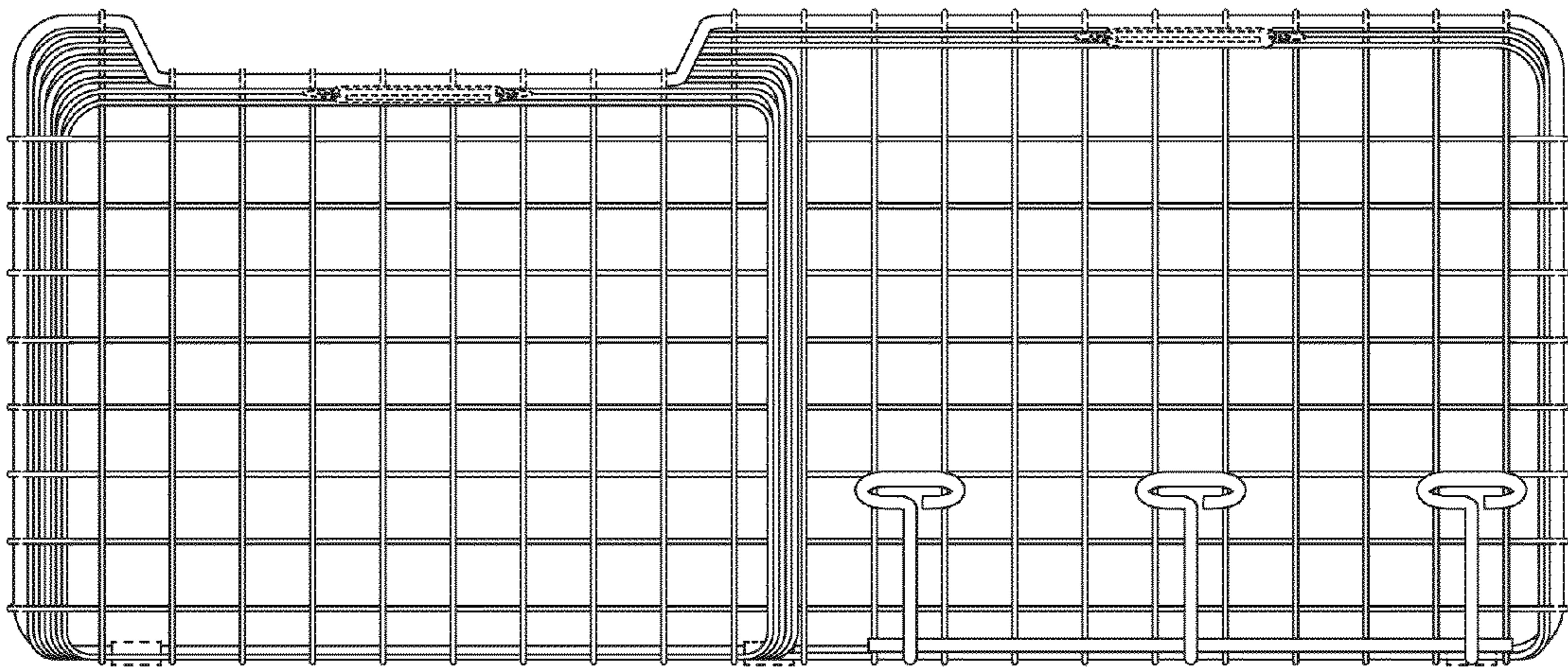


FIG. 7