



US00D746590S

(12) **United States Design Patent**
Allen et al.

(10) **Patent No.:** **US D746,590 S**
(45) **Date of Patent:** **** Jan. 5, 2016**

(54) **COLLAPSIBLE STORAGE BOX**
(71) Applicant: **WAX STACKS, LLC**, Layton, UT (US)
(72) Inventors: **Nathan Todd Allen**, Ogden, UT (US);
Nathan Malan Mansfield, Layton, UT (US); **Jeremy Russell Stander**, Layton, UT (US)
(73) Assignee: **WAX STACKS, LLC**, Layton, UT (US)

(**) Term: **14 Years**
(21) Appl. No.: **29/504,724**

(22) Filed: **Oct. 8, 2014**
(51) **LOC (10) Cl.** **03-01**
(52) **U.S. Cl.**
USPC **D3/304**
(58) **Field of Classification Search**
USPC D3/304-205, 307-309, 311-312,
D3/314-315; 206/521, 521.1, 503, 506
CPC A47J 2201/00; B65D 43/162
See application file for complete search history.

(56) **References Cited**

U.S. PATENT DOCUMENTS

D372,583 S * 8/1996 Brightbill D3/314
D380,088 S * 6/1997 Kolada et al. D3/312

D549,455 S * 8/2007 Kent et al. D3/304
D569,619 S * 5/2008 Kent et al. D3/304
8,297,442 B1 * 10/2012 Byron 206/503
D672,960 S * 12/2012 Turner D3/304
D704,285 S * 5/2014 Zucca et al. D21/699
D711,103 S * 8/2014 Wu et al. D3/277
D722,946 S * 2/2015 Armstrong et al. D12/407
D733,426 S * 7/2015 Haas et al. D3/272
2007/0017916 A1 * 1/2007 Sabanci 220/7

* cited by examiner

Primary Examiner — Kelley Donnelly

(74) *Attorney, Agent, or Firm* — Keller Jolley Preece

(57) **CLAIM**

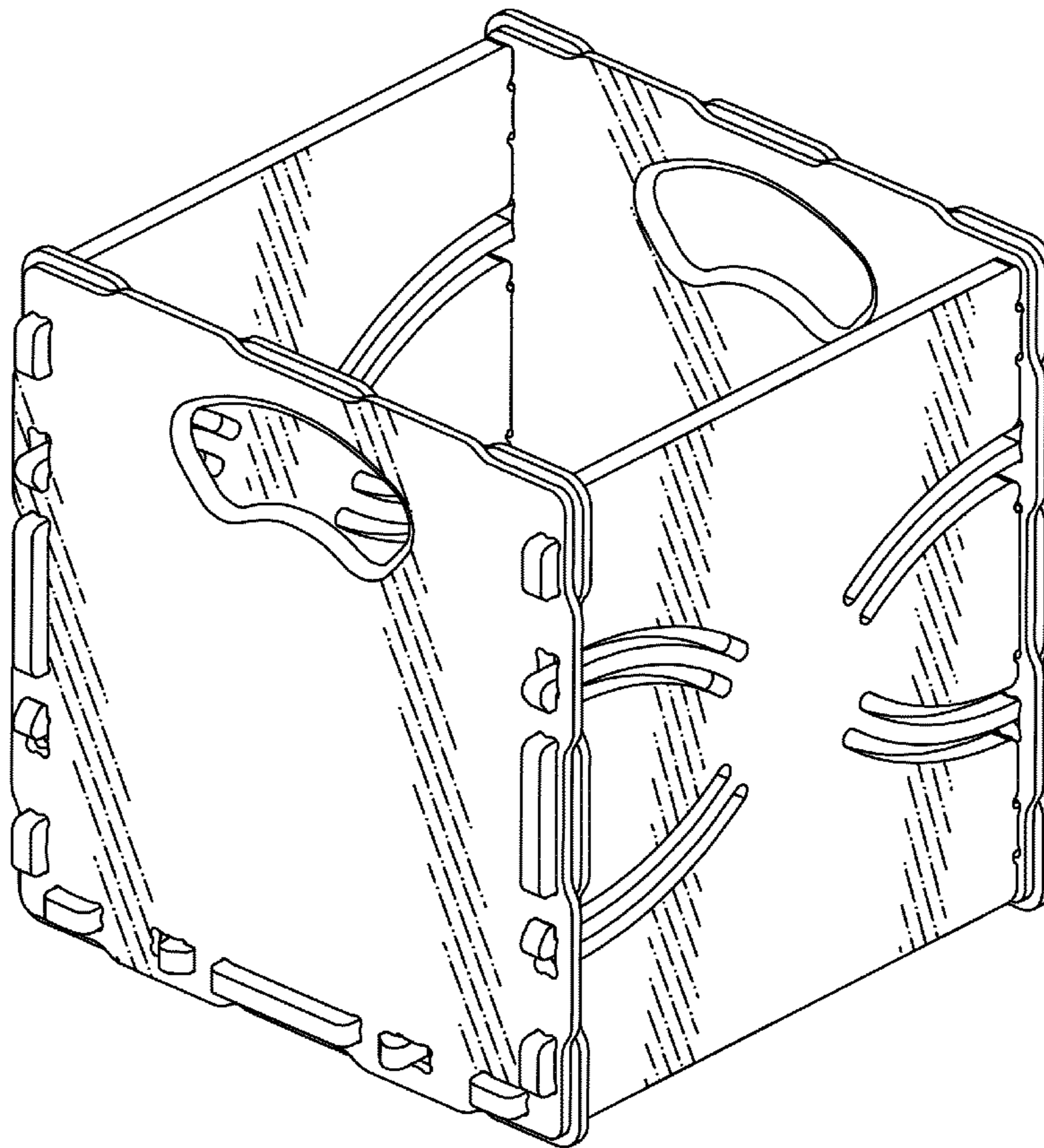
The ornamental design for a collapsible storage box, as shown and described.

DESCRIPTION

FIG. 1 is a perspective view of a collapsible storage box showing our new design;
FIG. 2 is an exploded view thereof;
FIG. 3 is a front elevational view thereof, the rear elevational view being identical;
FIG. 4 is a right side elevational view thereof, the left side elevational view being identical; and,
FIG. 5 is a top plan view thereof, the bottom plan view being identical.

Any broken lines are for illustrative purposes only and form no part of the claimed design.

1 Claim, 5 Drawing Sheets



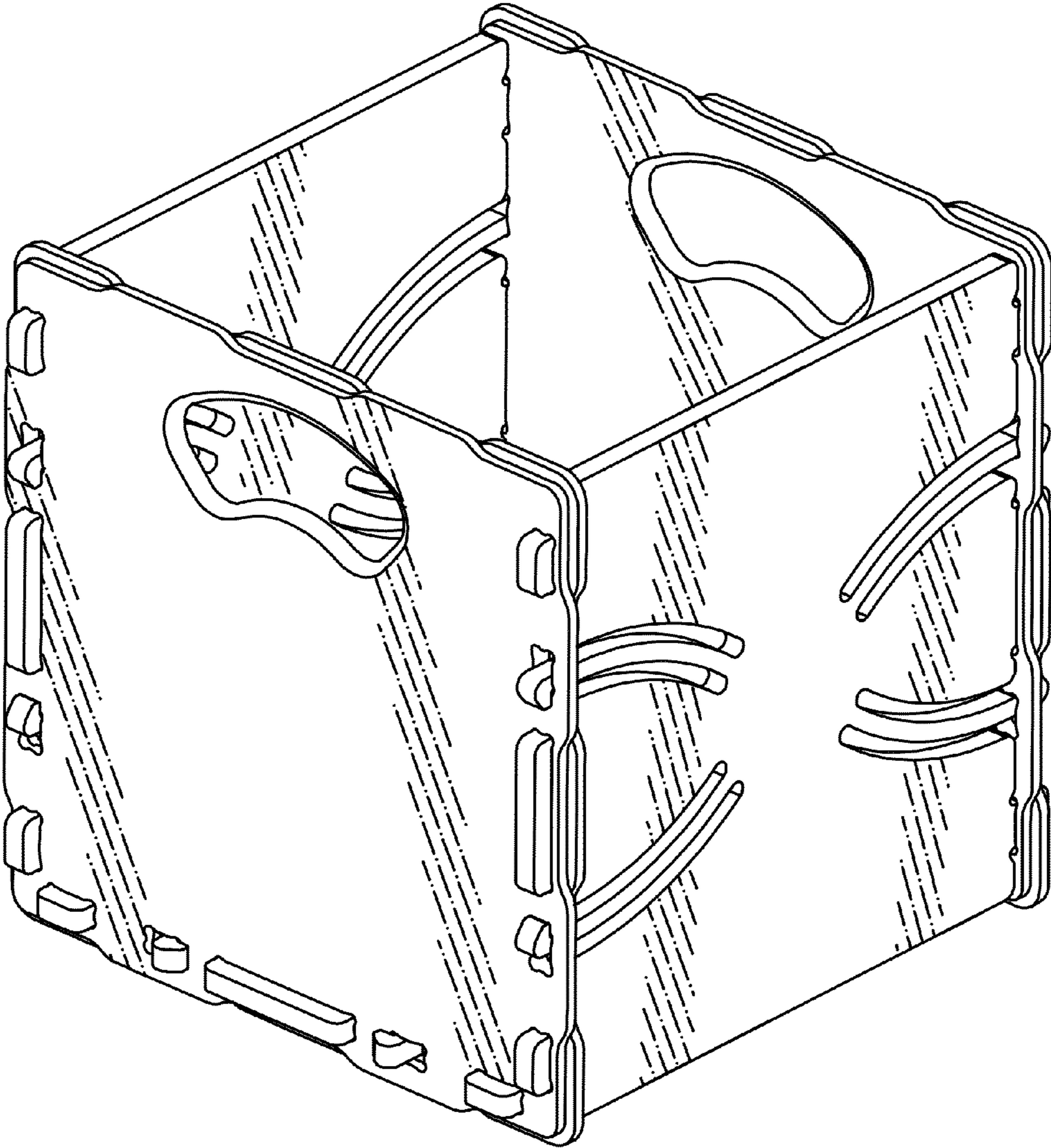


Fig. 1

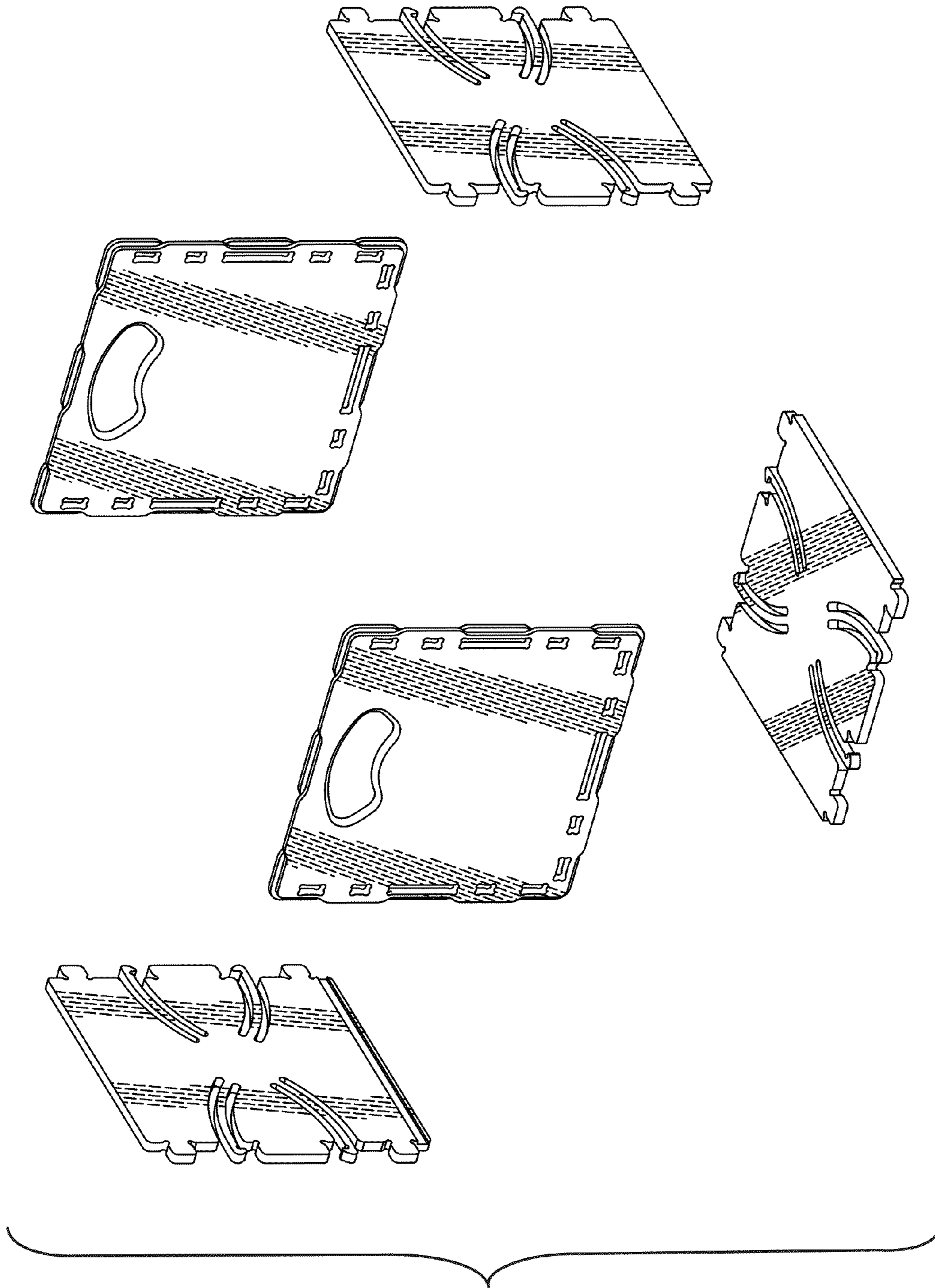


Fig. 2

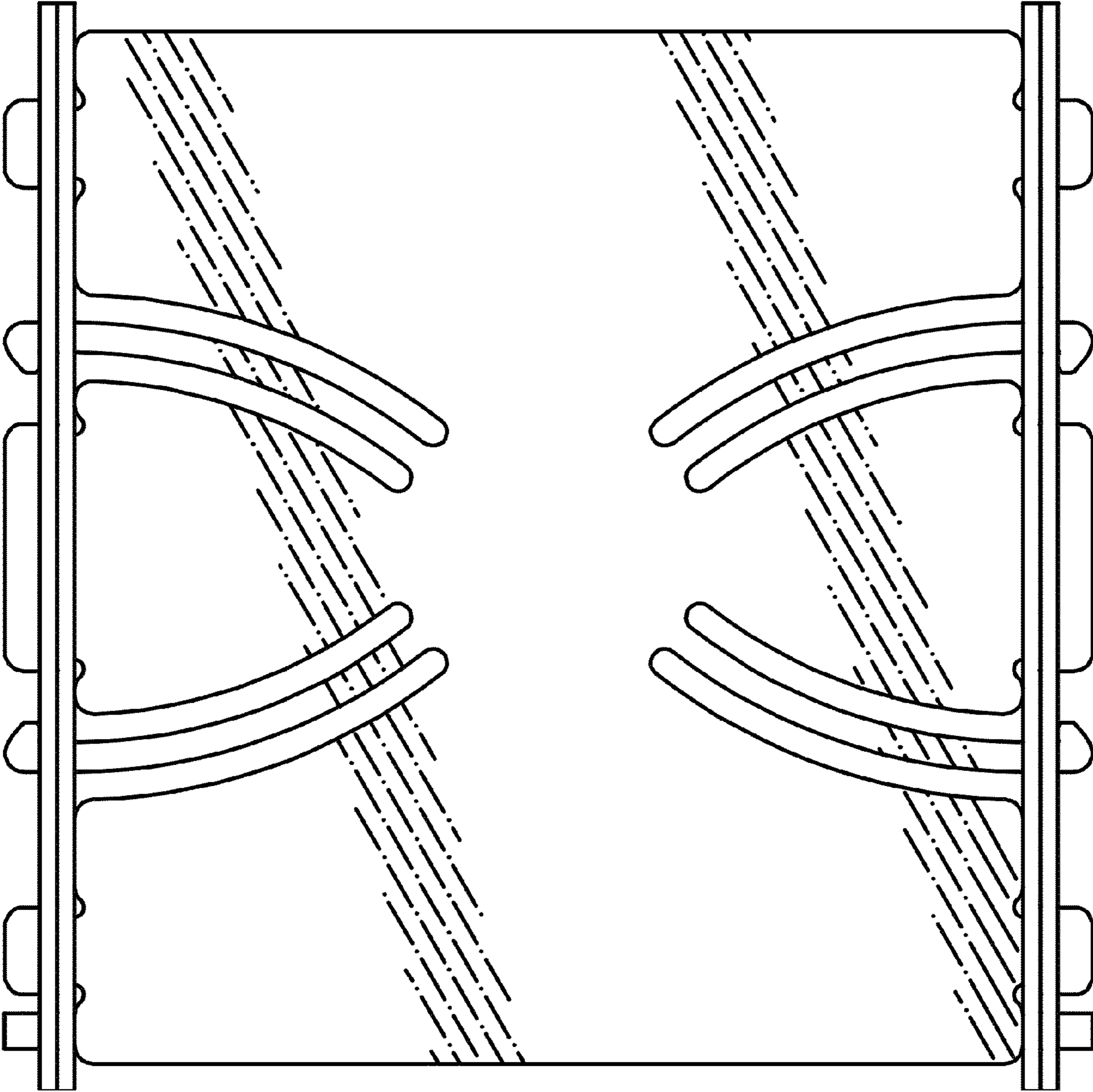


Fig. 3

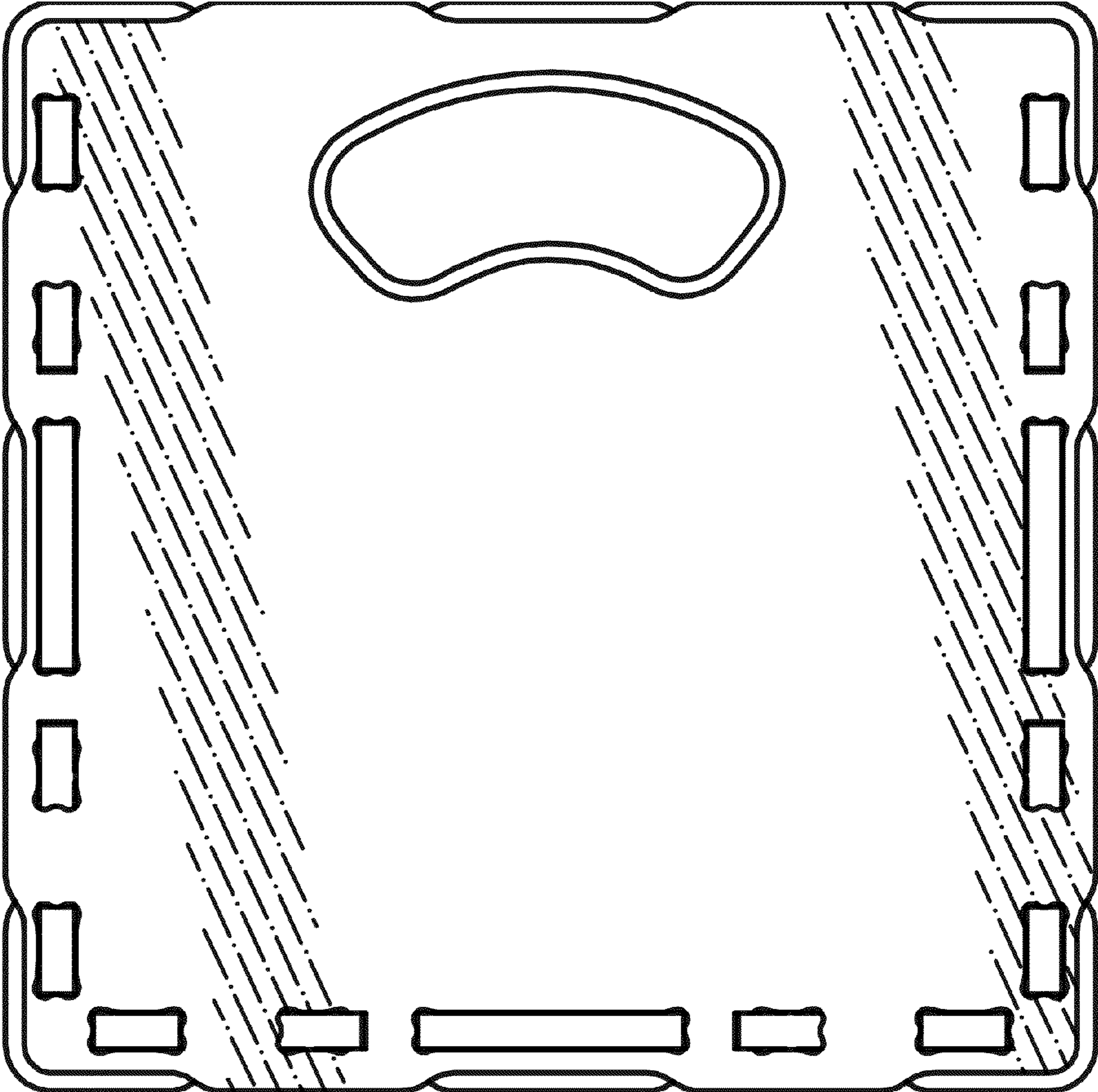


Fig. 4

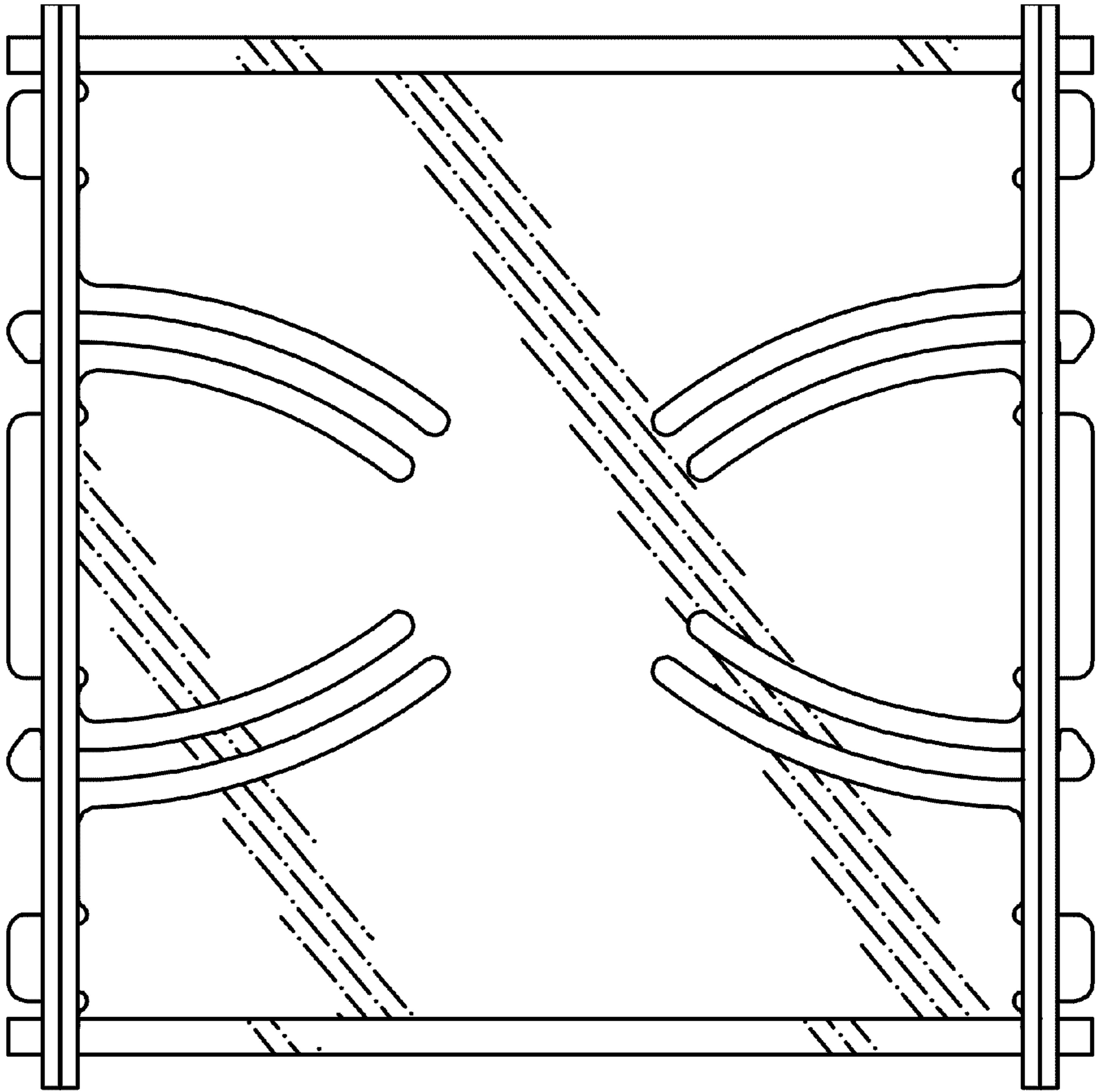


Fig. 5