



US00D746589S

(12) **United States Design Patent**
Lai

(10) **Patent No.:** **US D746,589 S**
(45) **Date of Patent:** **** Jan. 5, 2016**

(54) **TOOL BOX**
(71) Applicant: **ROTE MATE INDUSTRY CO., LTD.**,
Taichung (TW)

D578,307 S * 10/2008 Chan et al. D3/295
D589,703 S * 4/2009 Wenchel et al. D3/273
7,624,866 B2 * 12/2009 Wang 206/379
D645,663 S * 9/2011 Henley et al. D3/294
D729,520 S * 5/2015 Koeniger D3/294

(72) Inventor: **Ying-Tsung Lai**, Taichung (TW)

* cited by examiner

(73) Assignee: **ROTEMATE INDUSTRY CO., LTD.**,
Taichung (TW)

Primary Examiner — Catheri Oliver-Garcia

(74) *Attorney, Agent, or Firm* — Raymond Y. Chan; David
and Raymond Patent Firm

(**) Term: **14 Years**

(57) **CLAIM**

(21) Appl. No.: **29/482,764**

The ornamental design for a tool box, as shown and
described.

(22) Filed: **Feb. 21, 2014**

DESCRIPTION

(51) **LOC (10) Cl.** **03-01**

(52) **U.S. Cl.**
USPC **D3/284**

(58) **Field of Classification Search**
USPC D3/228, 201, 272–273, 274–284,
D3/294–295, 905; 206/234, 371–374, 377,
206/379

See application file for complete search history.

FIG. 1 is a front view of a tool box showing my new design;
FIG. 2 is a top plan view, the bottom plan view being a mirror
image thereof;

FIG. 3 is a left side elevation view, with the right side eleva-
tion view being a mirror image thereof;

FIG. 4 is a perspective view thereof;

FIG. 5 is a perspective view of the toolbox shown in use; and,
FIG. 6 is an open perspective view of the toolbox shown in
use.

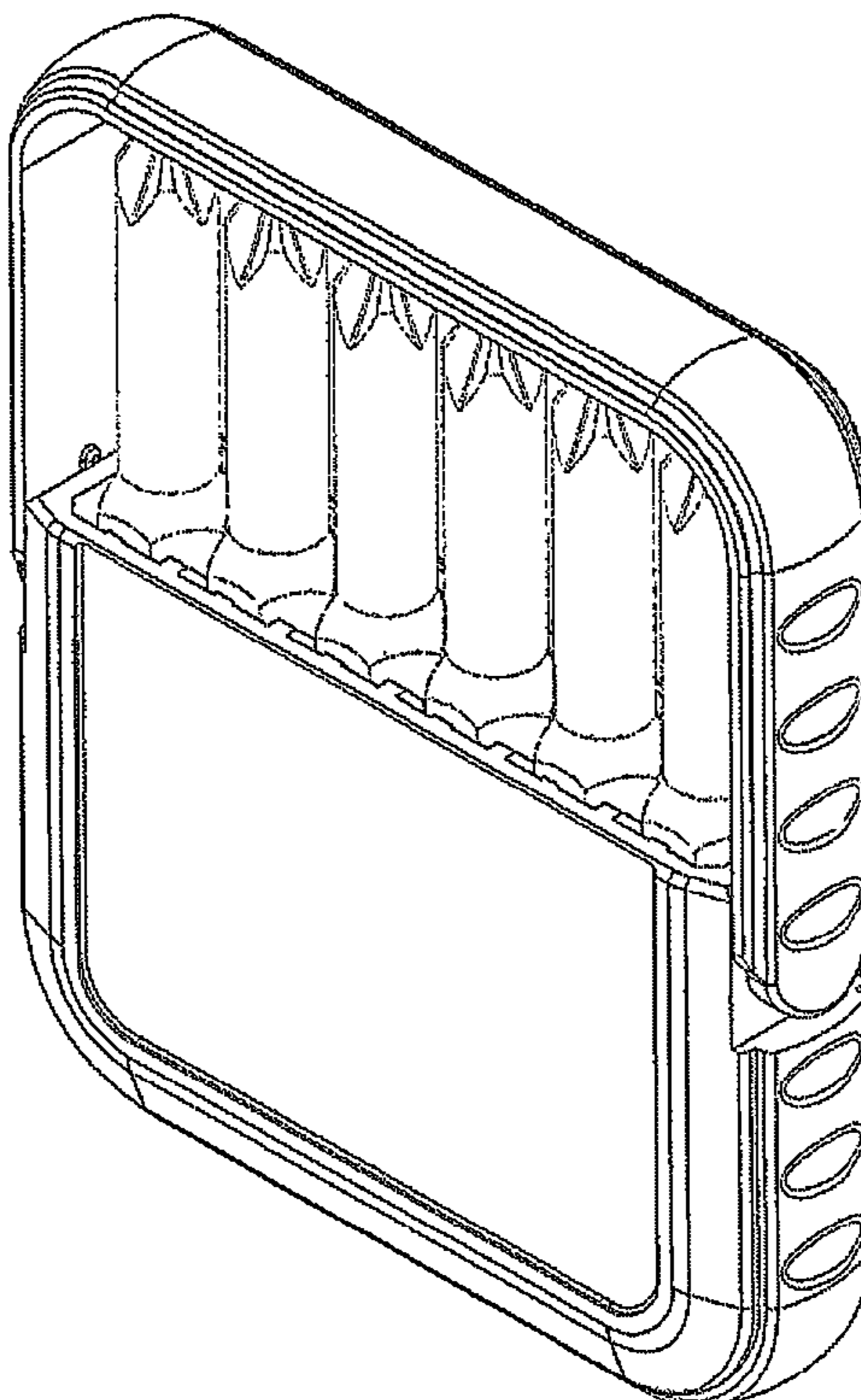
The broken line showing of environment in the drawings is
included for the purpose of illustrating only and forms no part
of the claimed design.

(56) **References Cited**

U.S. PATENT DOCUMENTS

5,669,492 A * 9/1997 Chao 206/234
D509,656 S * 9/2005 Pangerc et al. D3/294
D532,603 S * 11/2006 Chen D3/228

1 Claim, 6 Drawing Sheets



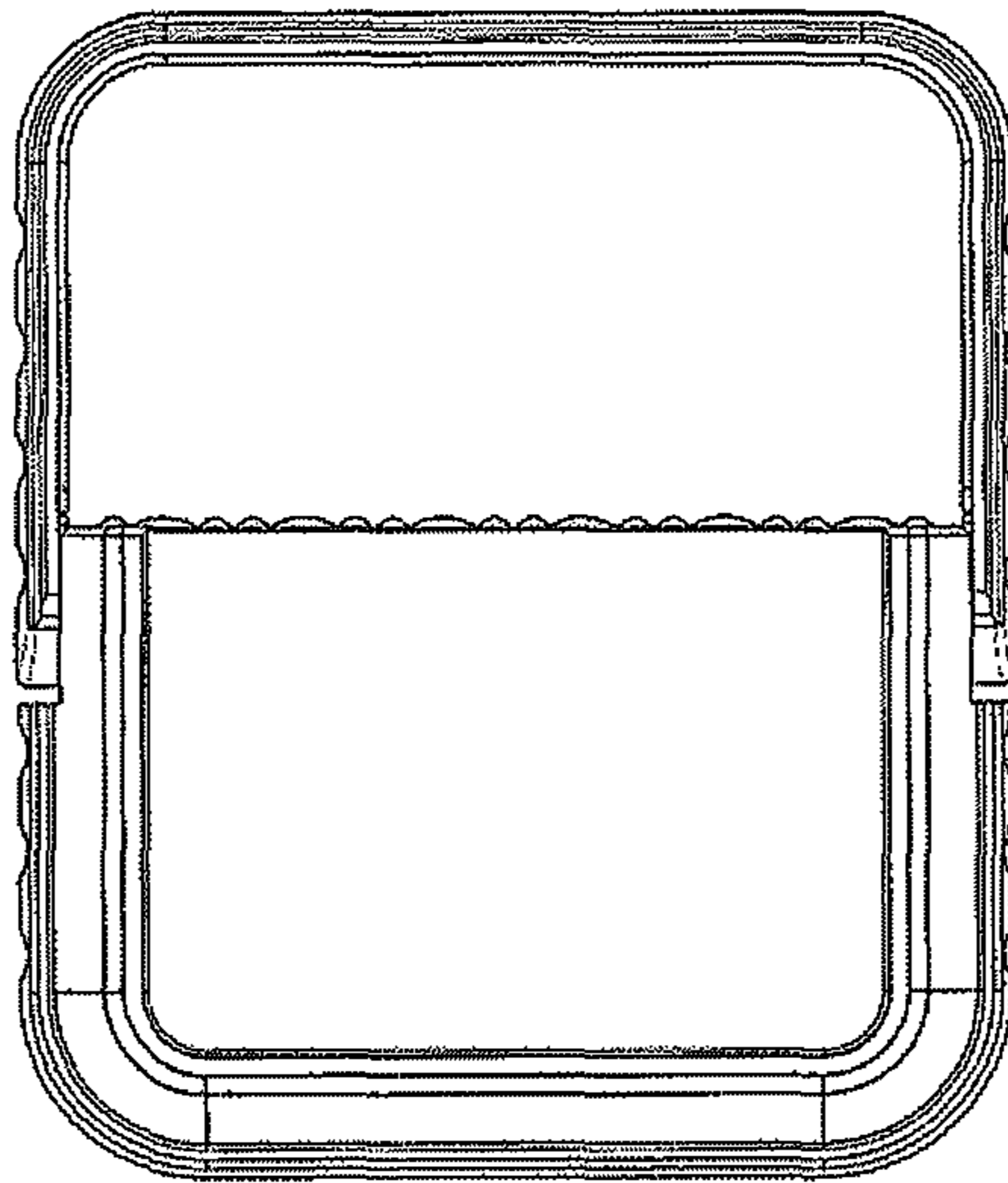


FIG 1

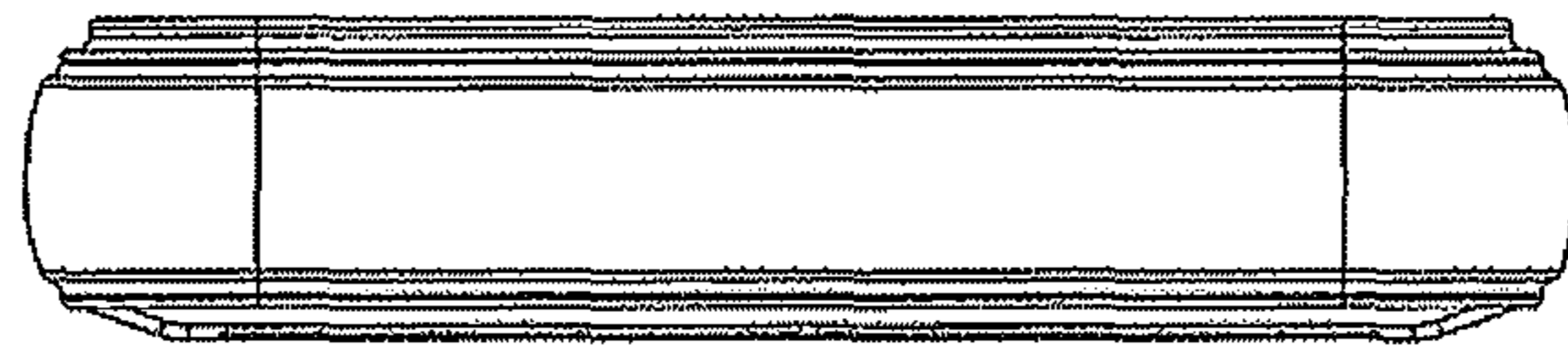


FIG 2

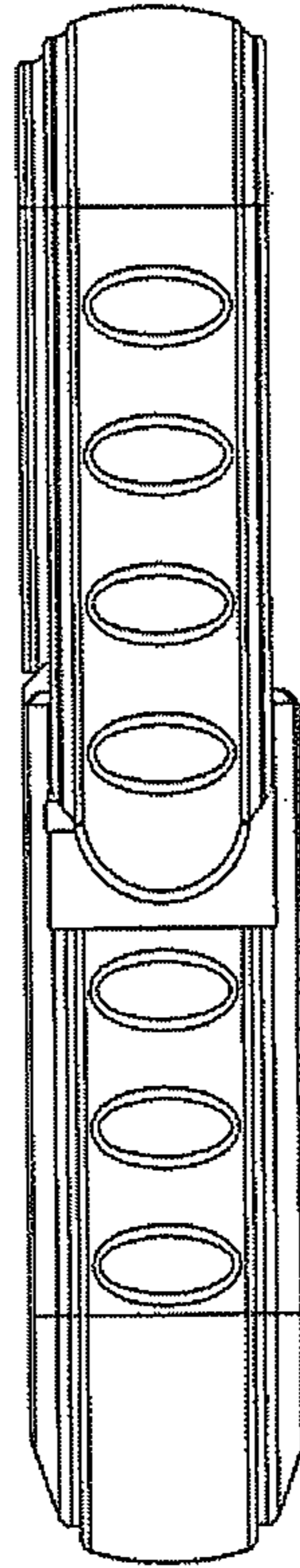


FIG 3

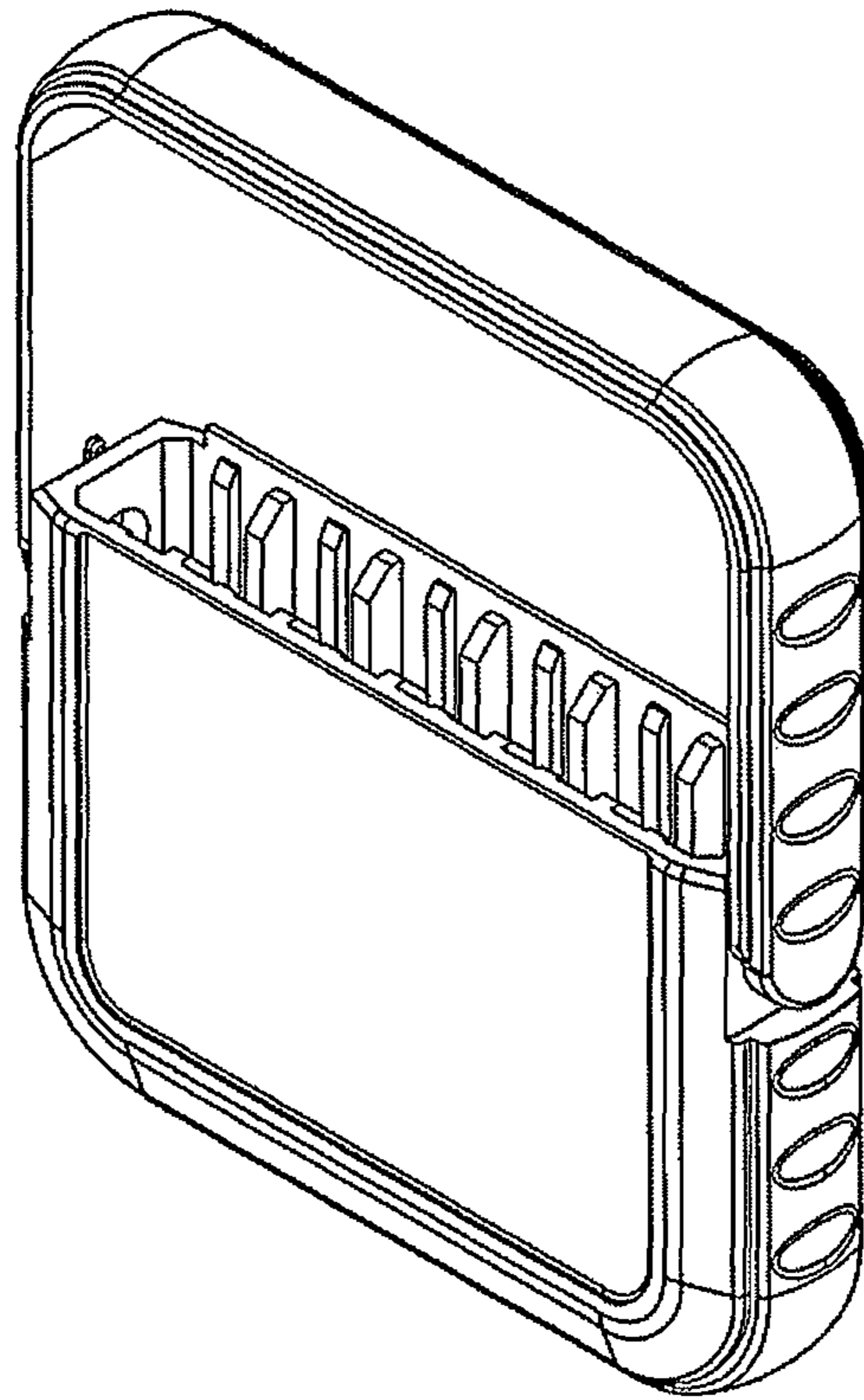


FIG 4

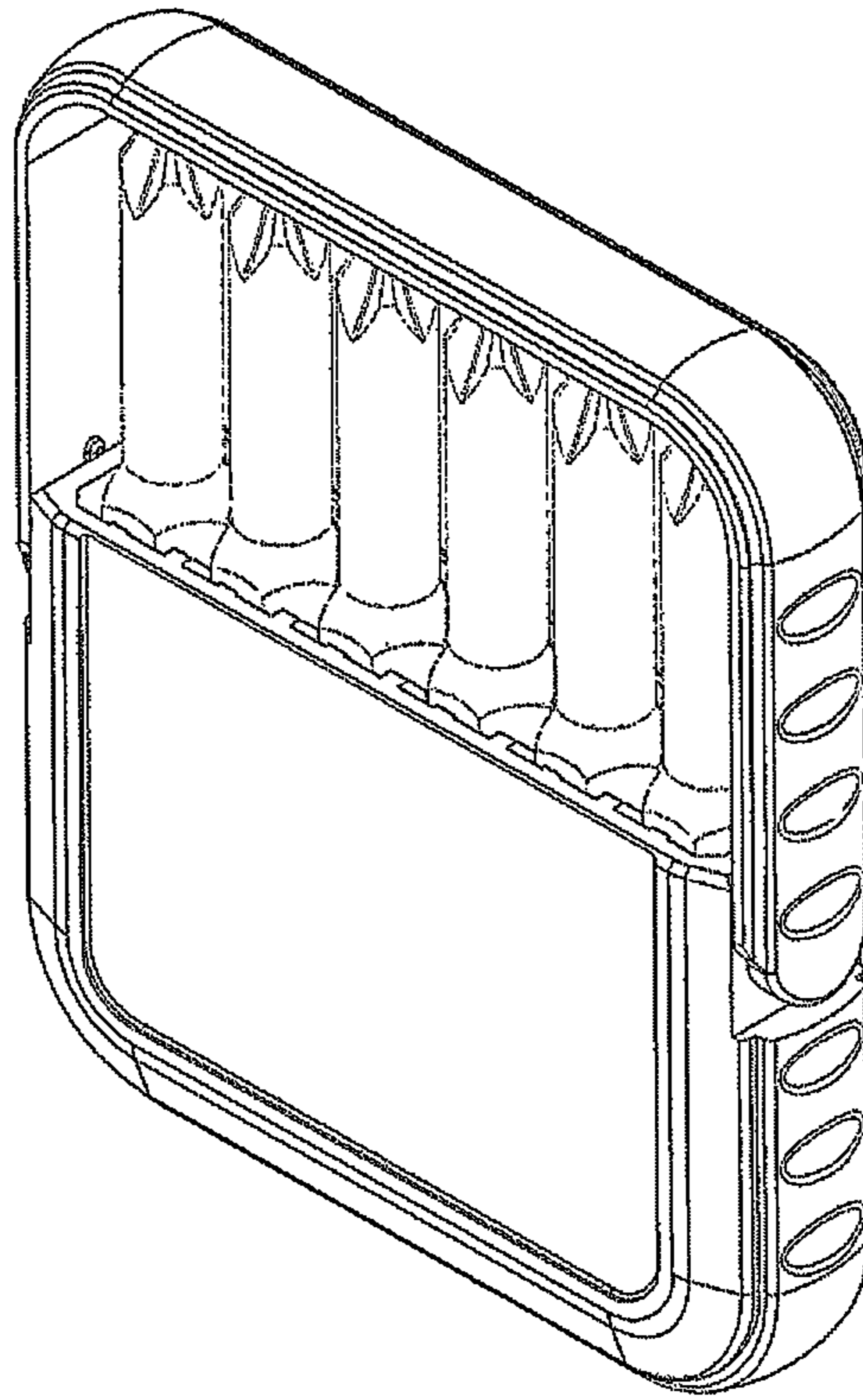


FIG 5

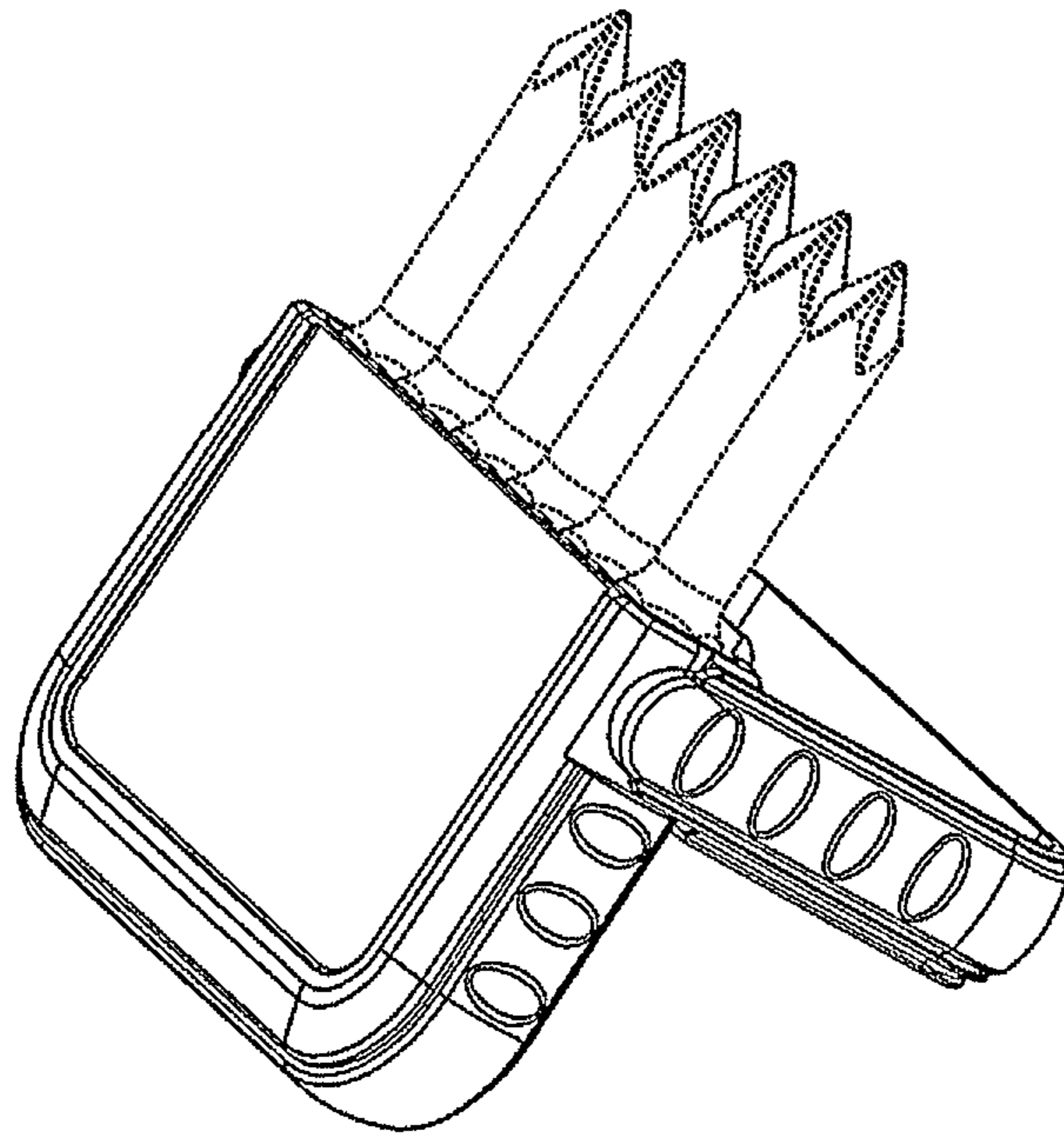


FIG 6