



US00D746588S

(12) **United States Design Patent**
Pourmehr

(10) **Patent No.:** **US D746,588 S**
(45) **Date of Patent:** **** Jan. 5, 2016**

(54) **MAKEUP STATION**

(71) Applicant: **Payam Pourmehr**, Houston, TX (US)

(72) Inventor: **Payam Pourmehr**, Houston, TX (US)

(**) Term: **15 Years**

(21) Appl. No.: **29/534,939**

(22) Filed: **Aug. 2, 2015**

(51) **LOC (10) Cl.** **03-01**

(52) **U.S. Cl.**
USPC **D3/275**; D3/901; D3/279; D3/284;
D3/288; D3/295

(58) **Field of Classification Search**

USPC D3/901-903, 272, 273, 274, 275, 276,
D3/279, 284, 288, 291, 294, 297, 295,
D3/905; 190/9, 3-7, 19, 21, 29-33,
190/109-115

CPC B62B 3/005; A45D 44/02; A45D 44/04;
A45D 33/20; A45D 33/24; A45C 7/0045;
A45C 7/005; A45C 7/0054; A45C 15/04;
A45C 15/06; A45C 13/02; A45C 5/005;
A45C 5/14; A45C 5/141

See application file for complete search history.

(56) **References Cited**

U.S. PATENT DOCUMENTS

D351,502 S *	10/1994	Weir	D3/272
5,732,817 A *	3/1998	Plath	A45C 13/03 190/109
5,941,255 A *	8/1999	Chen	A45C 5/005 132/286
D457,724 S *	5/2002	Och	D3/273
6,520,514 B2 *	2/2003	Clegg	A45C 5/14 280/47.26
7,306,297 B2 *	12/2007	Woody	A45D 44/02 280/47.26
7,472,455 B2 *	1/2009	Dolton	A45D 44/04 15/323
D640,468 S *	6/2011	Libuda	D3/272
D643,623 S *	8/2011	Chin	D3/272

(Continued)

OTHER PUBLICATIONS

Sunrise C6010 Makeup Rolling Case, Date restricted search Feb. 2000-Jul. 2014, Internet text search "cosmetic station".*

(Continued)

Primary Examiner — Jennifer Rivard

(74) *Attorney, Agent, or Firm* — Fomby & Zarghouni LLC

(57) **CLAIM**

I claim the ornamental design for a makeup station, as shown and described.

DESCRIPTION

FIG. 1 is a perspective view of a makeup station showing my new design;

FIG. 2 is a front elevation view of the makeup station when closed;

FIG. 3 is a rear elevation view of the makeup station when closed;

FIG. 4 is a left side elevation view of the makeup station when closed;

FIG. 5 is a right side elevation view of the makeup station when closed;

FIG. 6 is a top plan view of the makeup station when closed;

FIG. 7 is a bottom plan view of the makeup station when closed;

FIG. 8 is a perspective view of the makeup station when opened;

FIG. 9 is a front elevation view of the makeup station when opened;

FIG. 10 is a rear elevation view of the makeup station when opened;

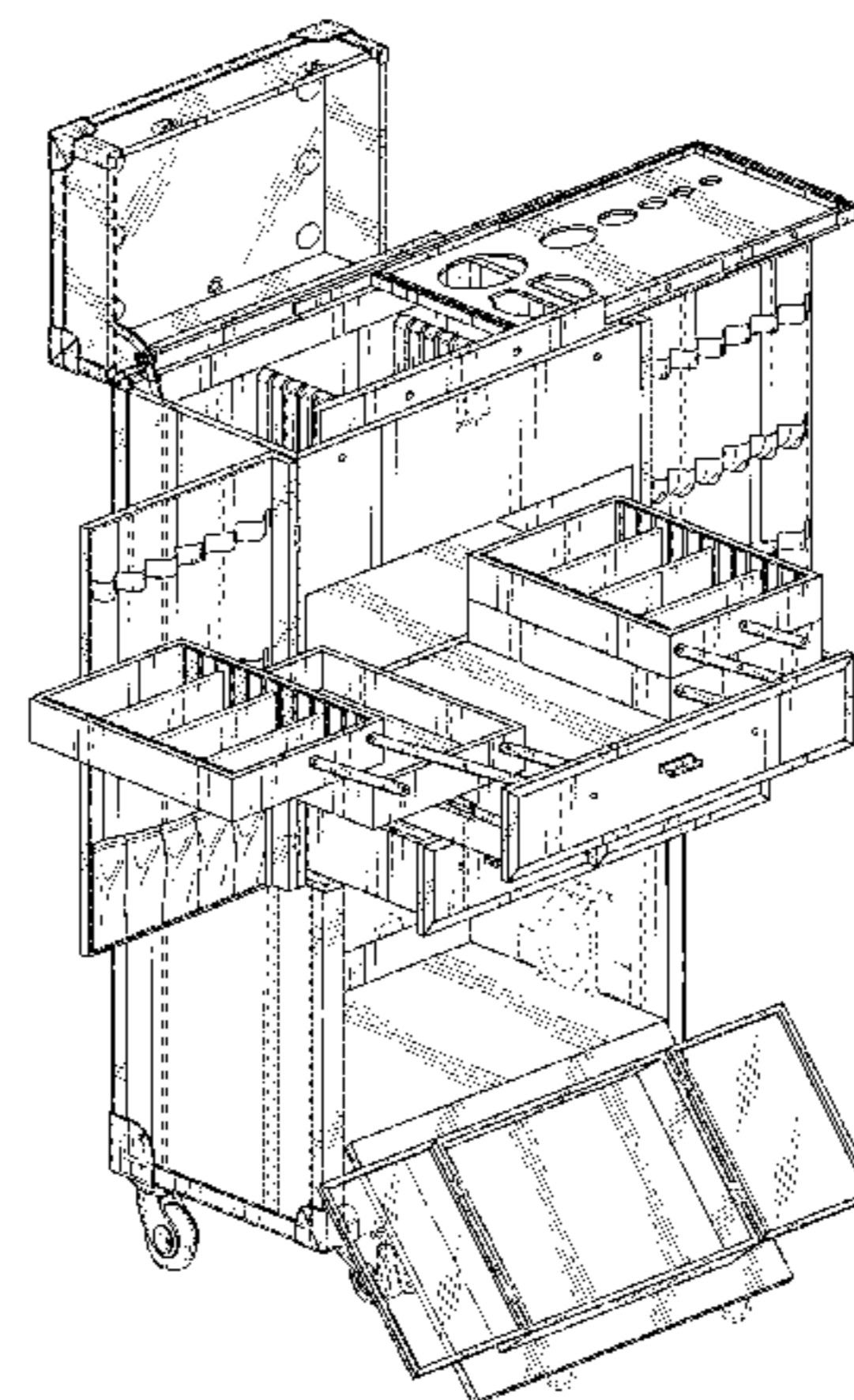
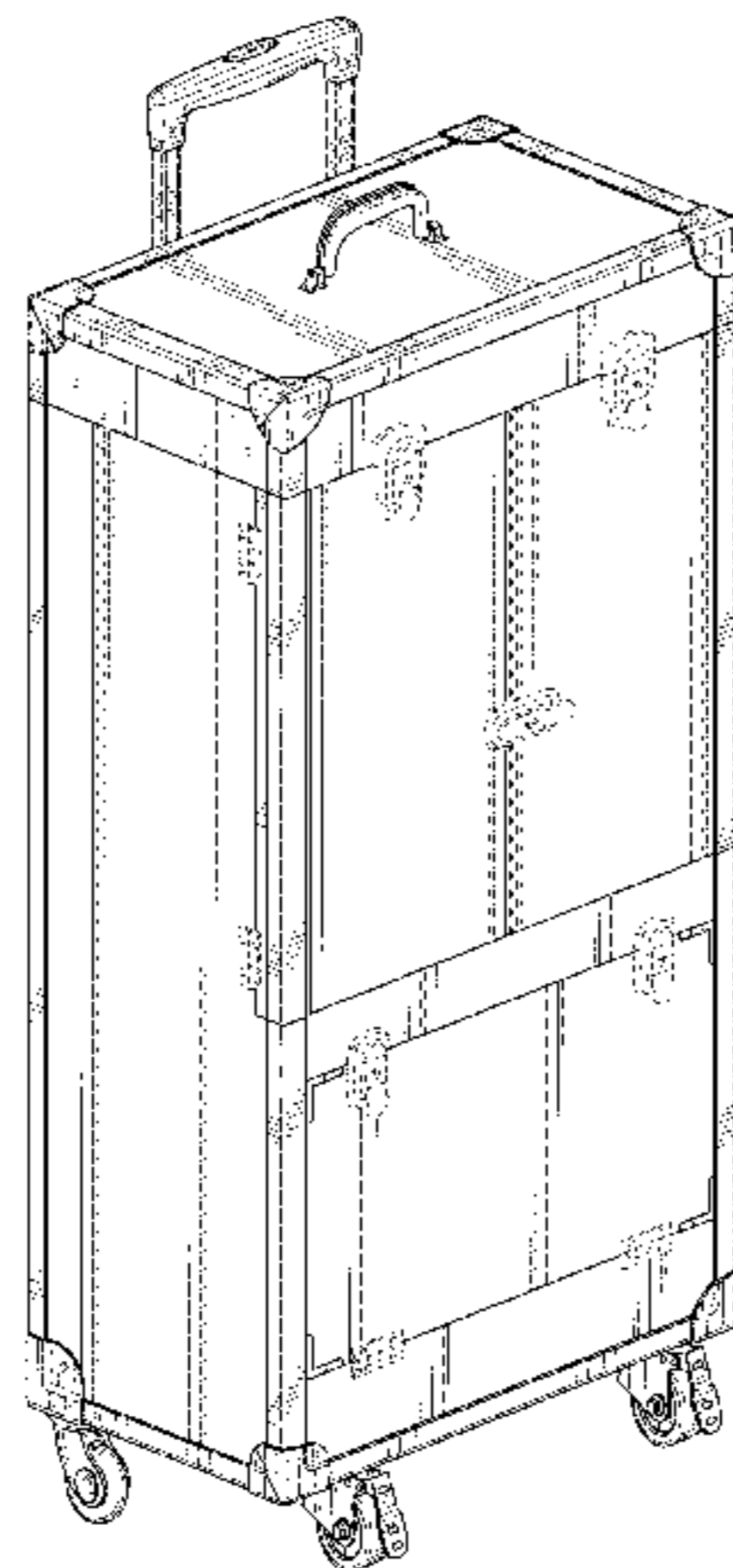
FIG. 11 is a left side elevation view of the makeup station when opened;

FIG. 12 is a right side elevation view of the makeup station when opened; and,

FIG. 13 is bottom plan view of the makeup station when opened.

The broken lines illustrate portions of the makeup station and form no part of the claimed design.

1 Claim, 12 Drawing Sheets



(56)

References Cited

U.S. PATENT DOCUMENTS

D643,624 S * 8/2011 Hong D3/272
D700,434 S * 3/2014 Blitz D3/279
8,915,504 B1 * 12/2014 Seibert B62B 1/10
280/47.16
2006/0137949 A1 * 6/2006 Levinson A45C 5/14
190/18 A
2007/0295570 A1 * 12/2007 Campbell A45C 5/14
190/15 R
2013/0099458 A1 * 4/2013 Ryan A45D 29/18
280/47.131

2014/0027223 A1* 1/2014 Moore A45C 13/02
190/102

OTHER PUBLICATIONS

Makeup Cases, Date restricted search Feb. 2000-Jul. 2014, Internet
text search "cosmetic station".*

Amazon, Sunrise makeup station, date restricted prior to Aug. 1,
2014, 1 page.*

* cited by examiner

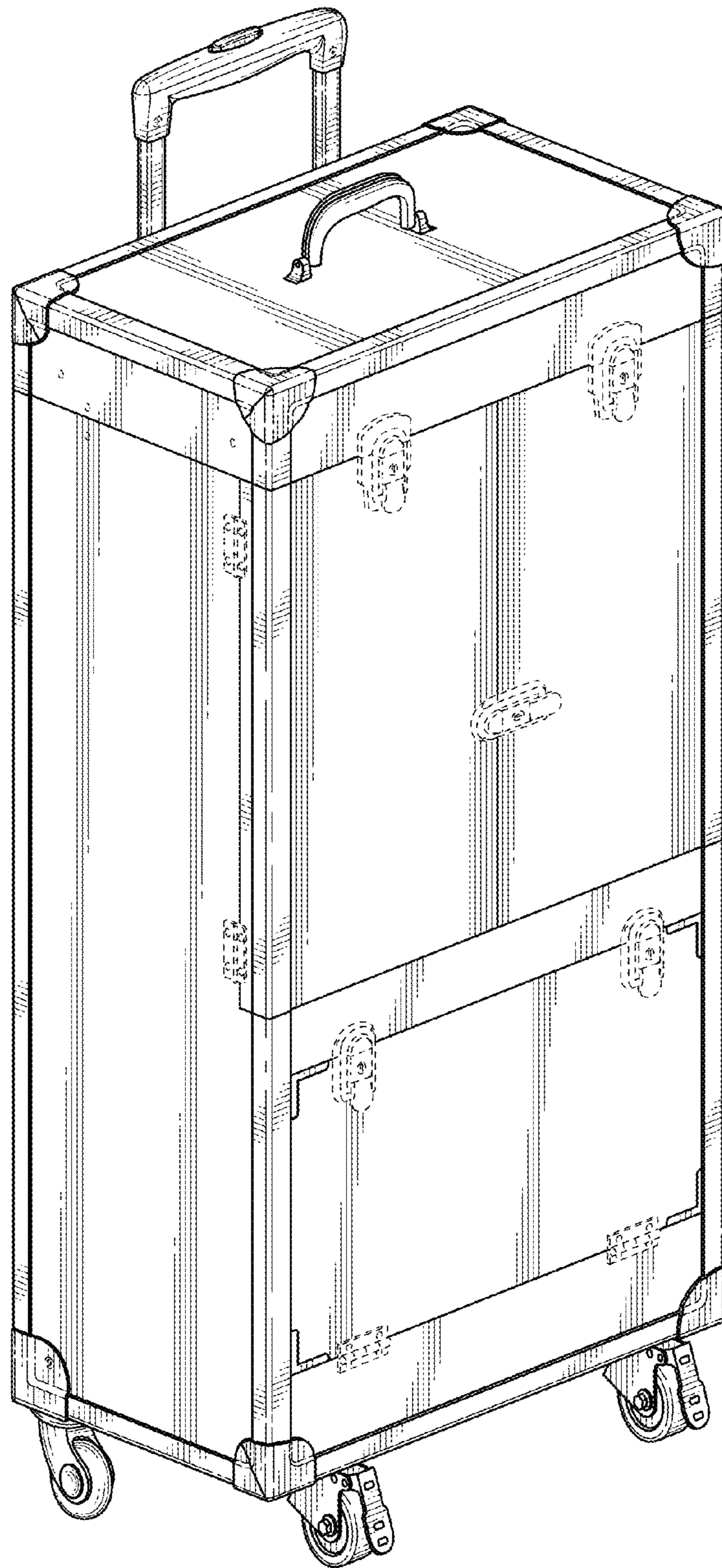


FIG. 1

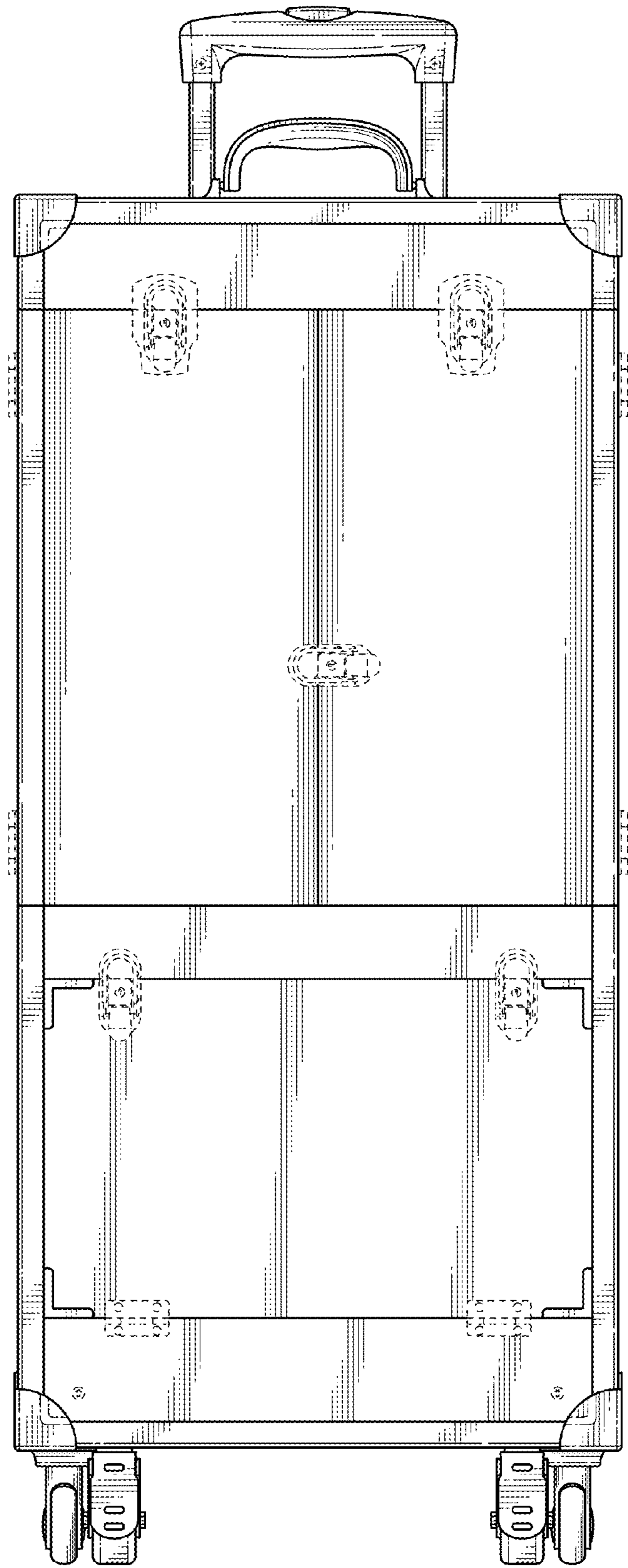


FIG. 2

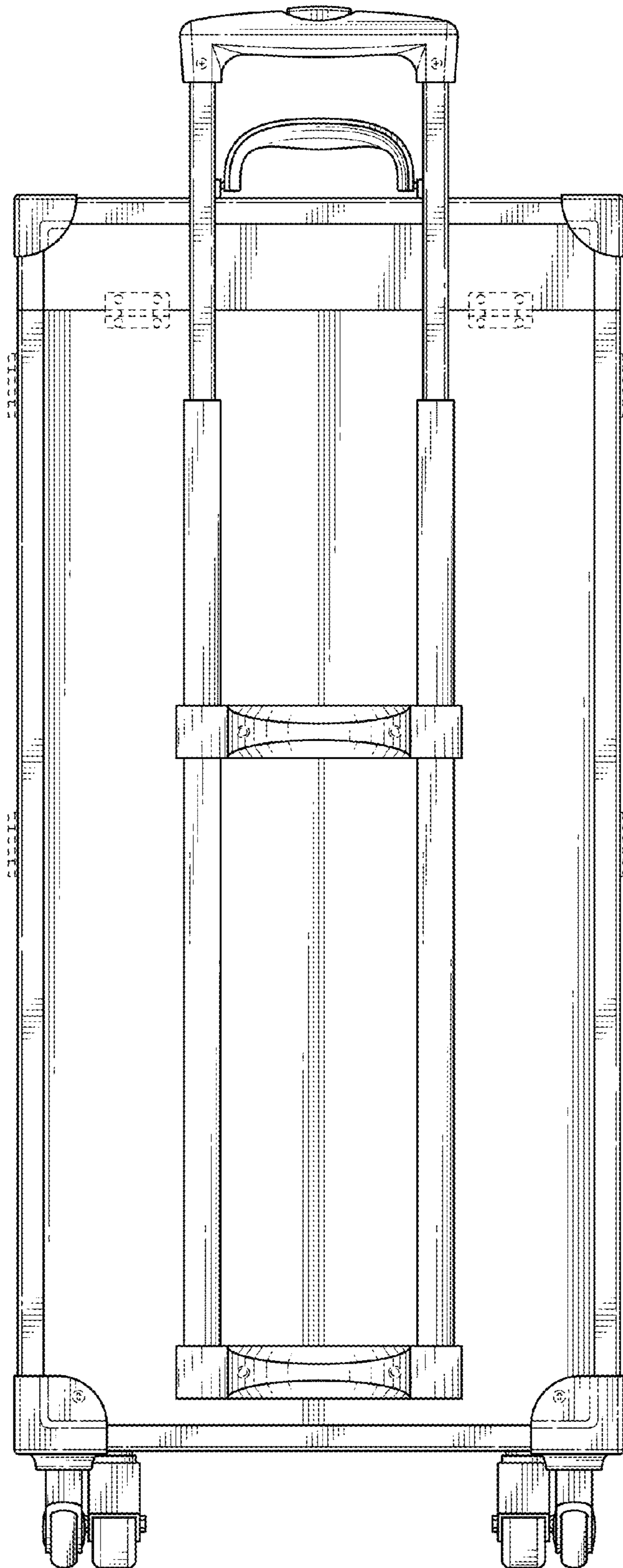


FIG. 3

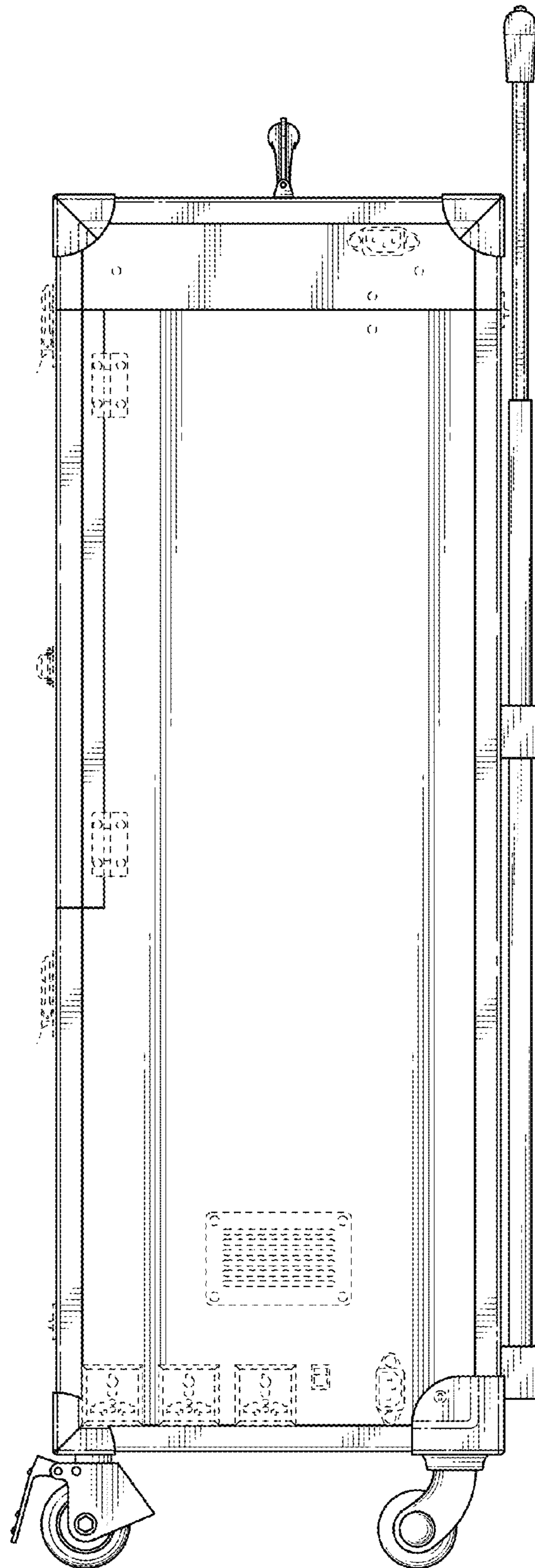


FIG. 4

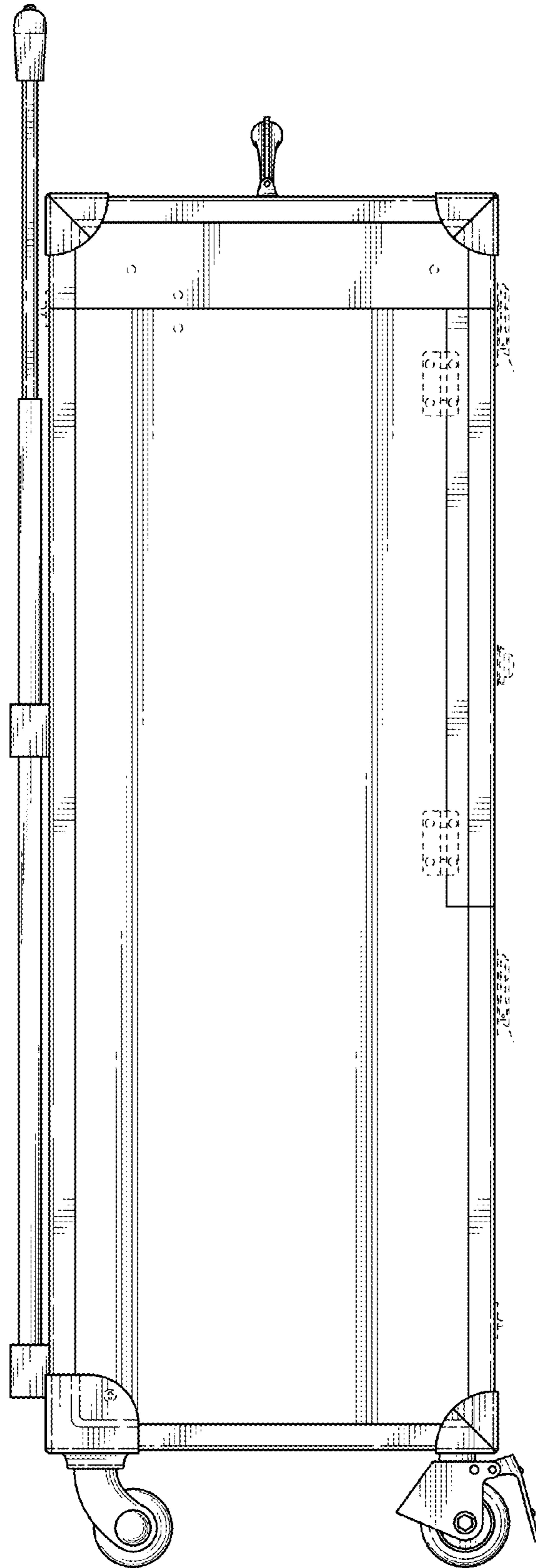


FIG. 5

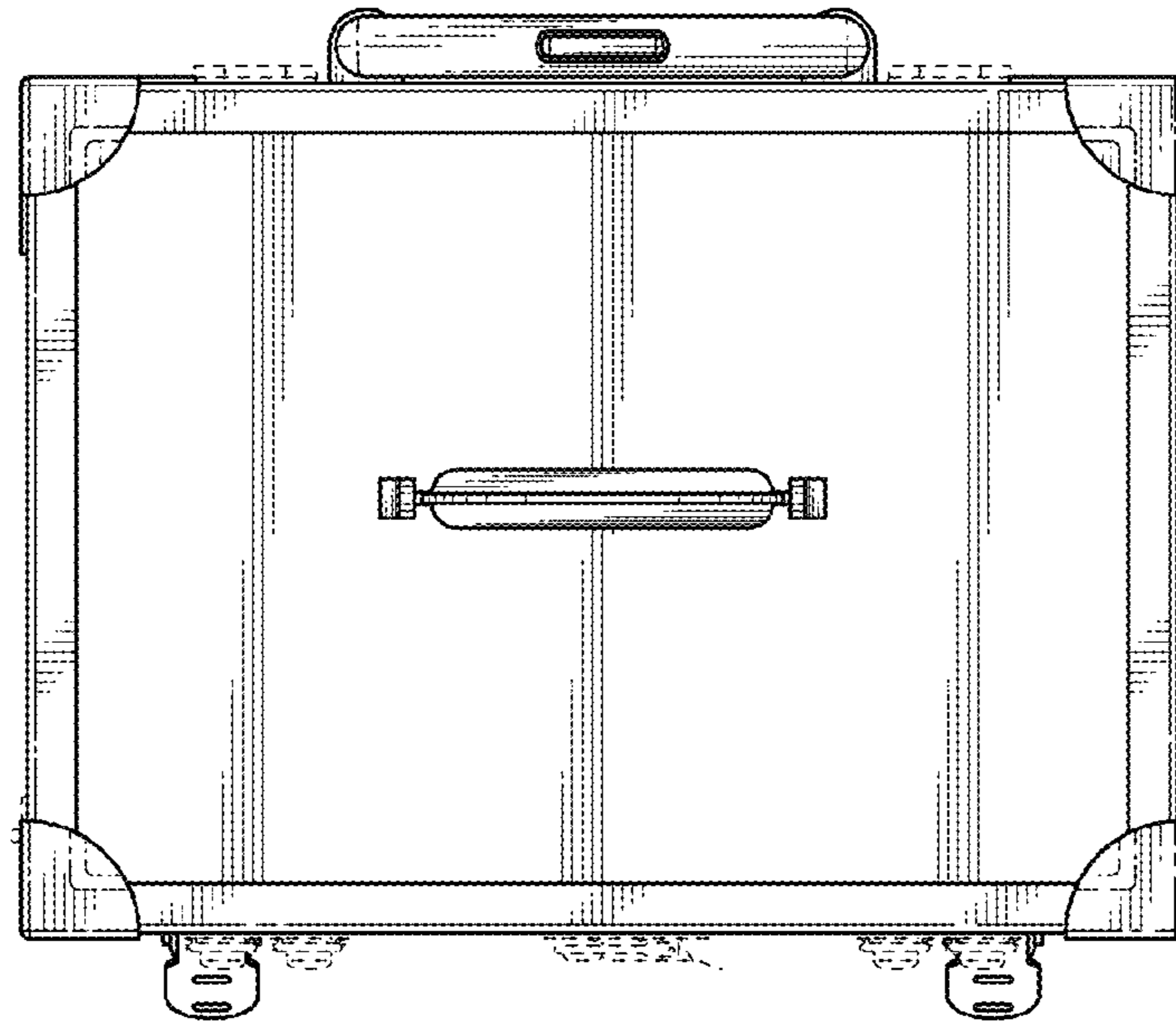


FIG. 6

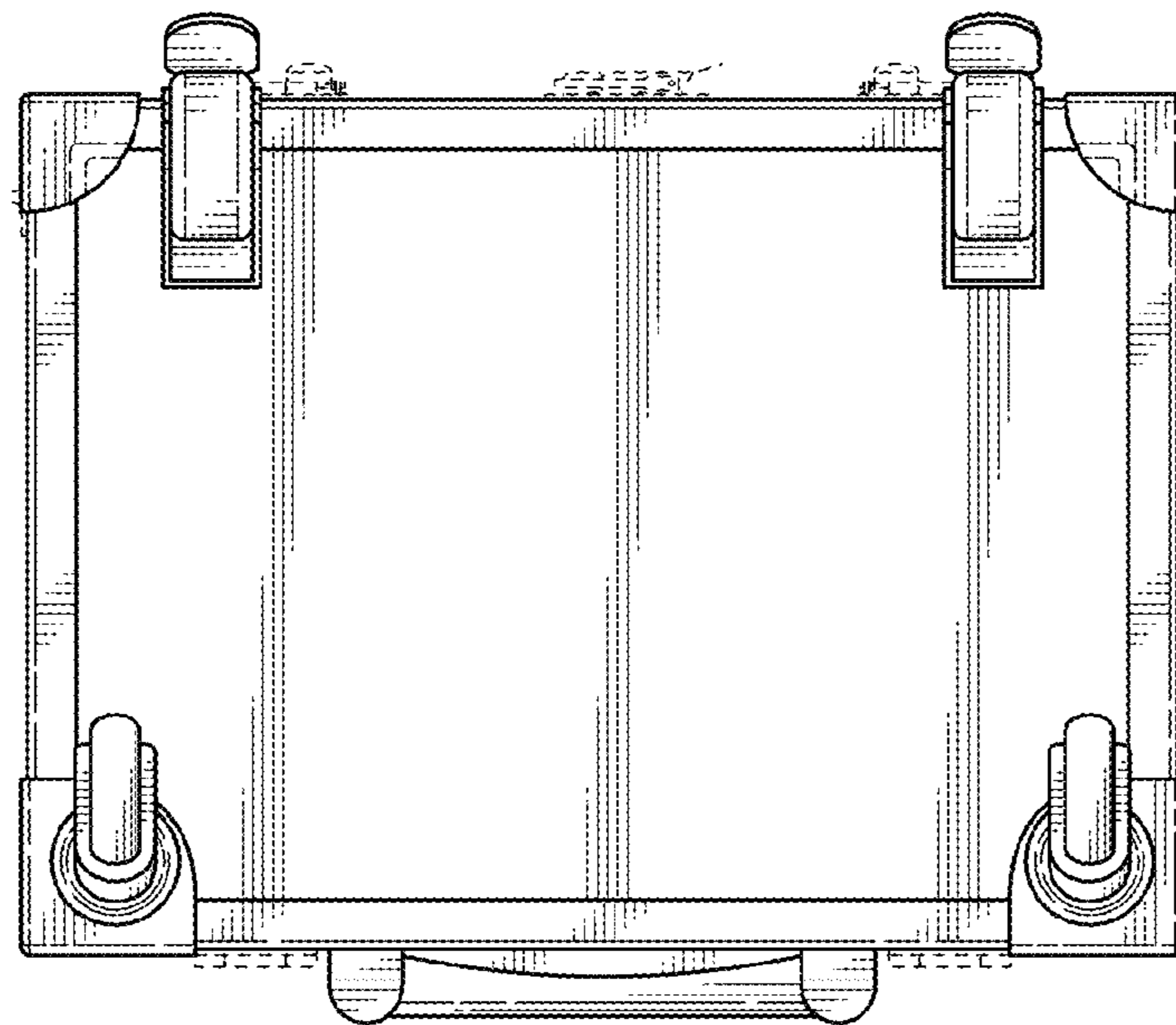


FIG. 7

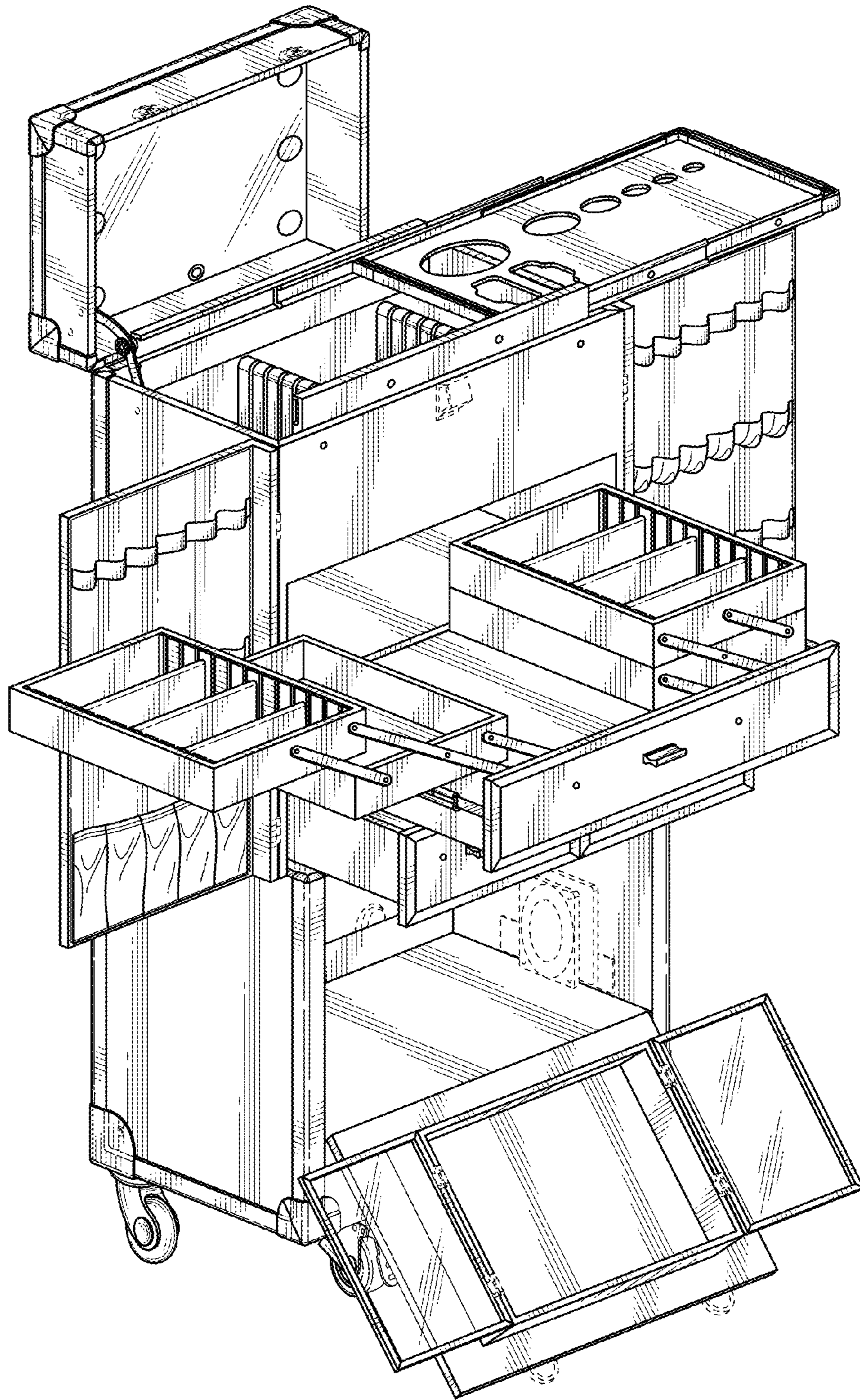


FIG. 8

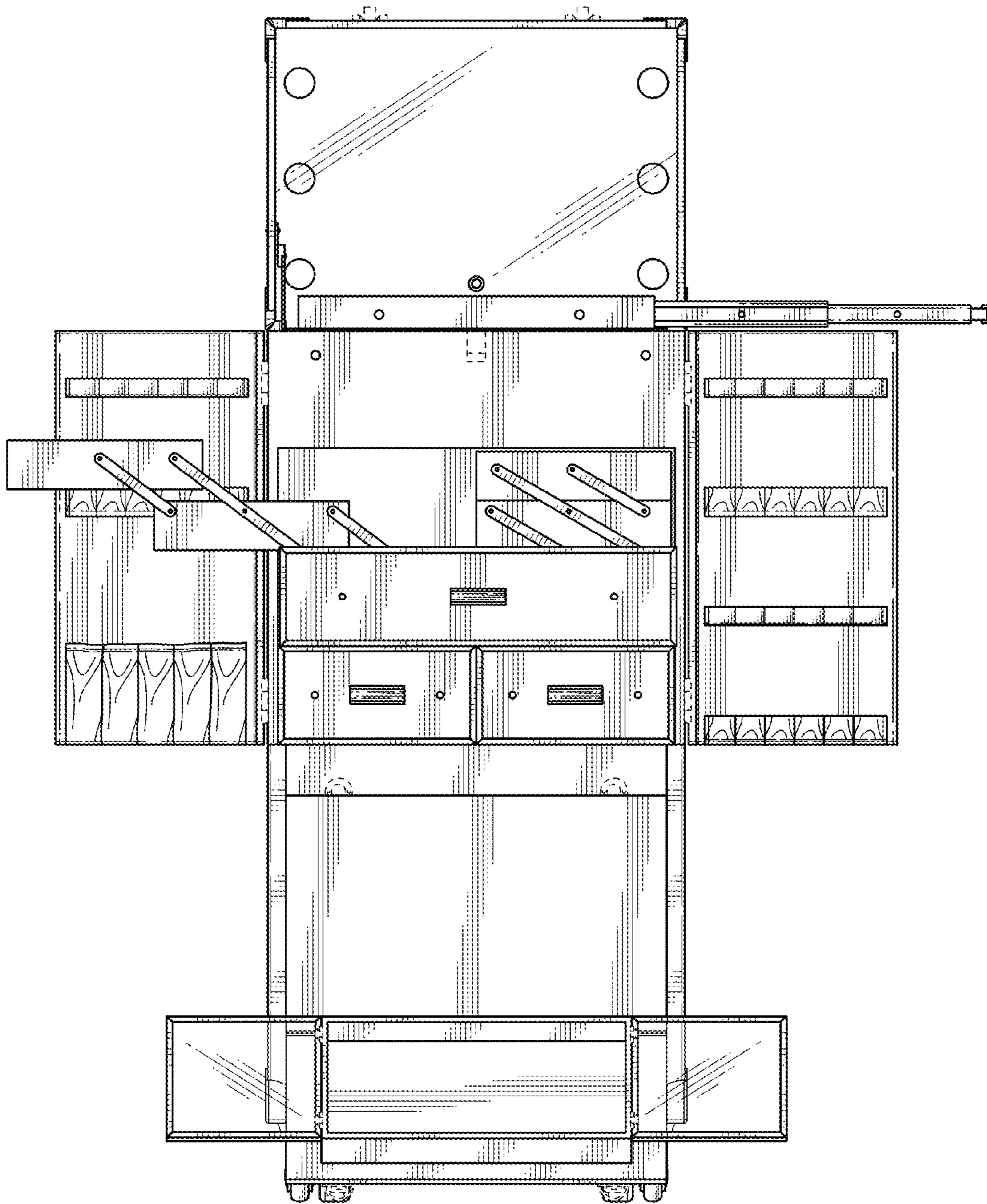


FIG. 9

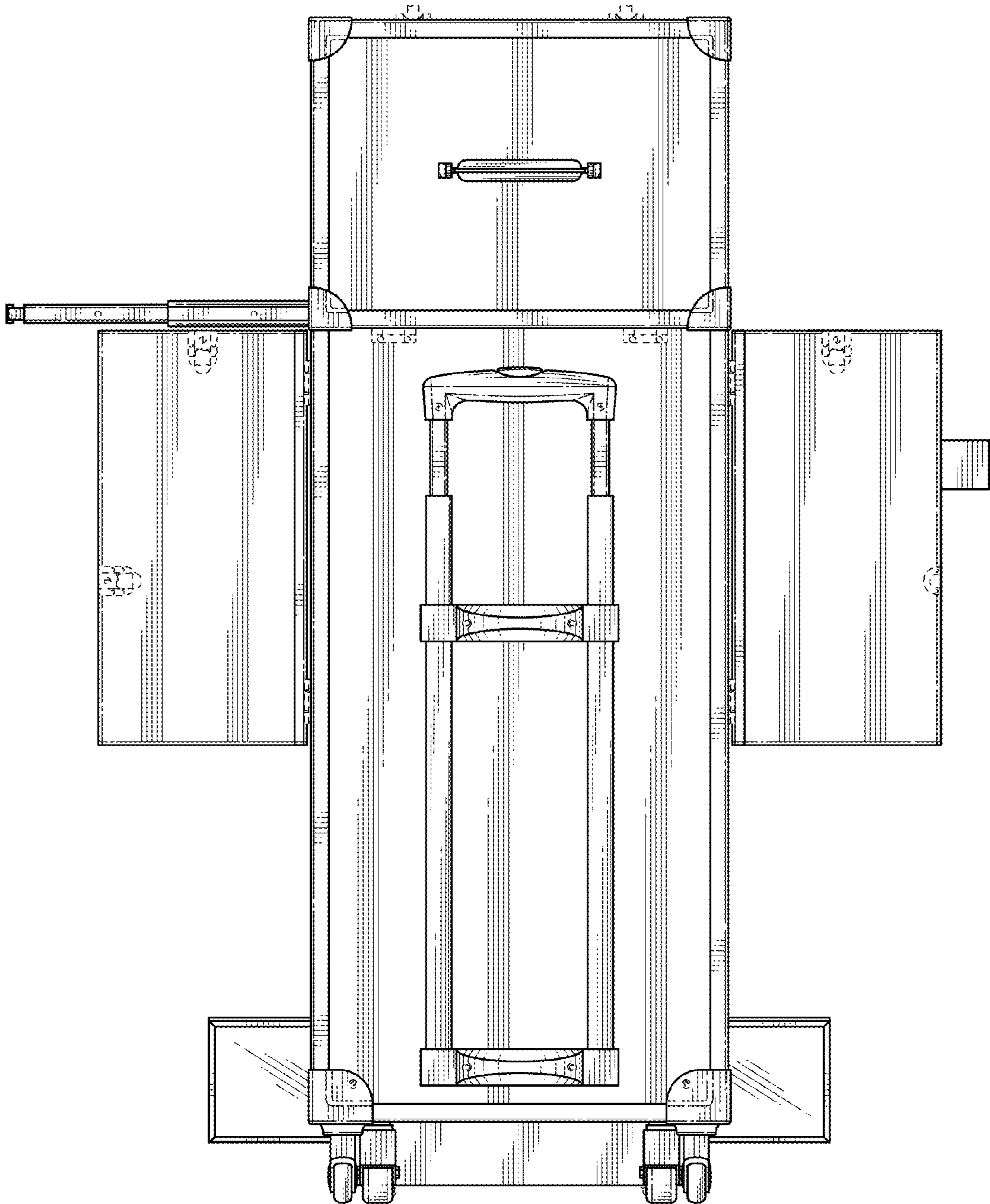


FIG. 10

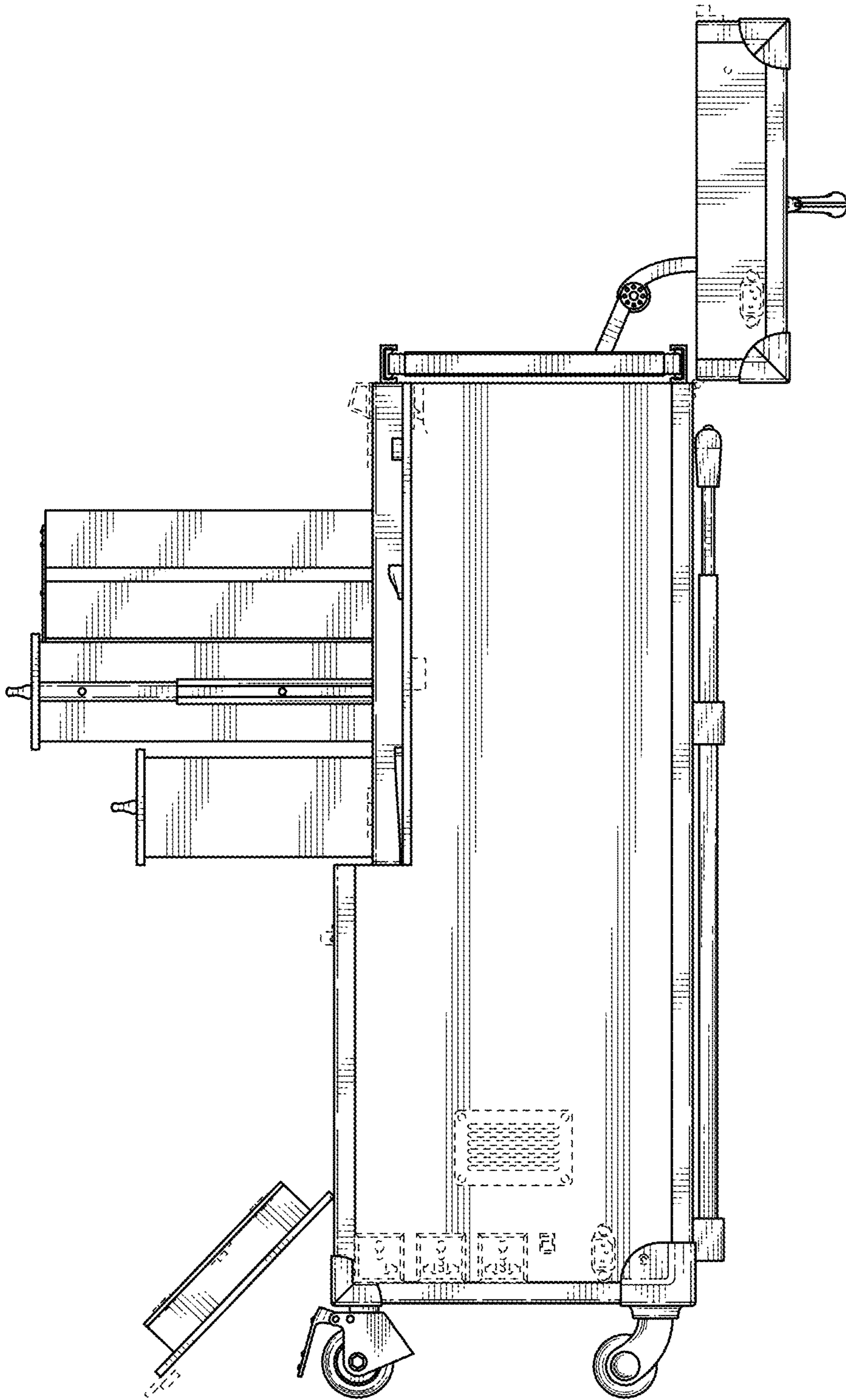


FIG. 11

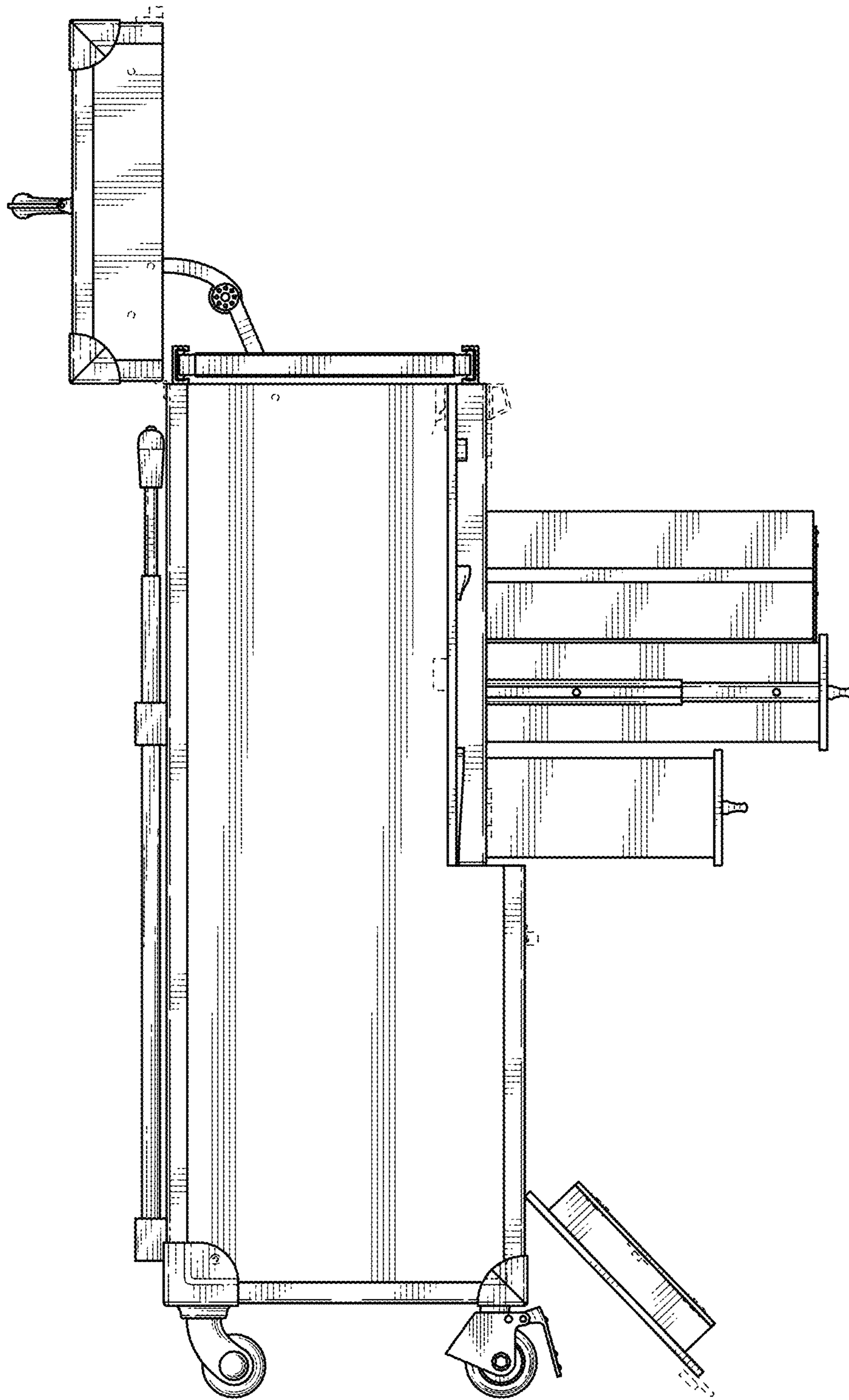


FIG. 12

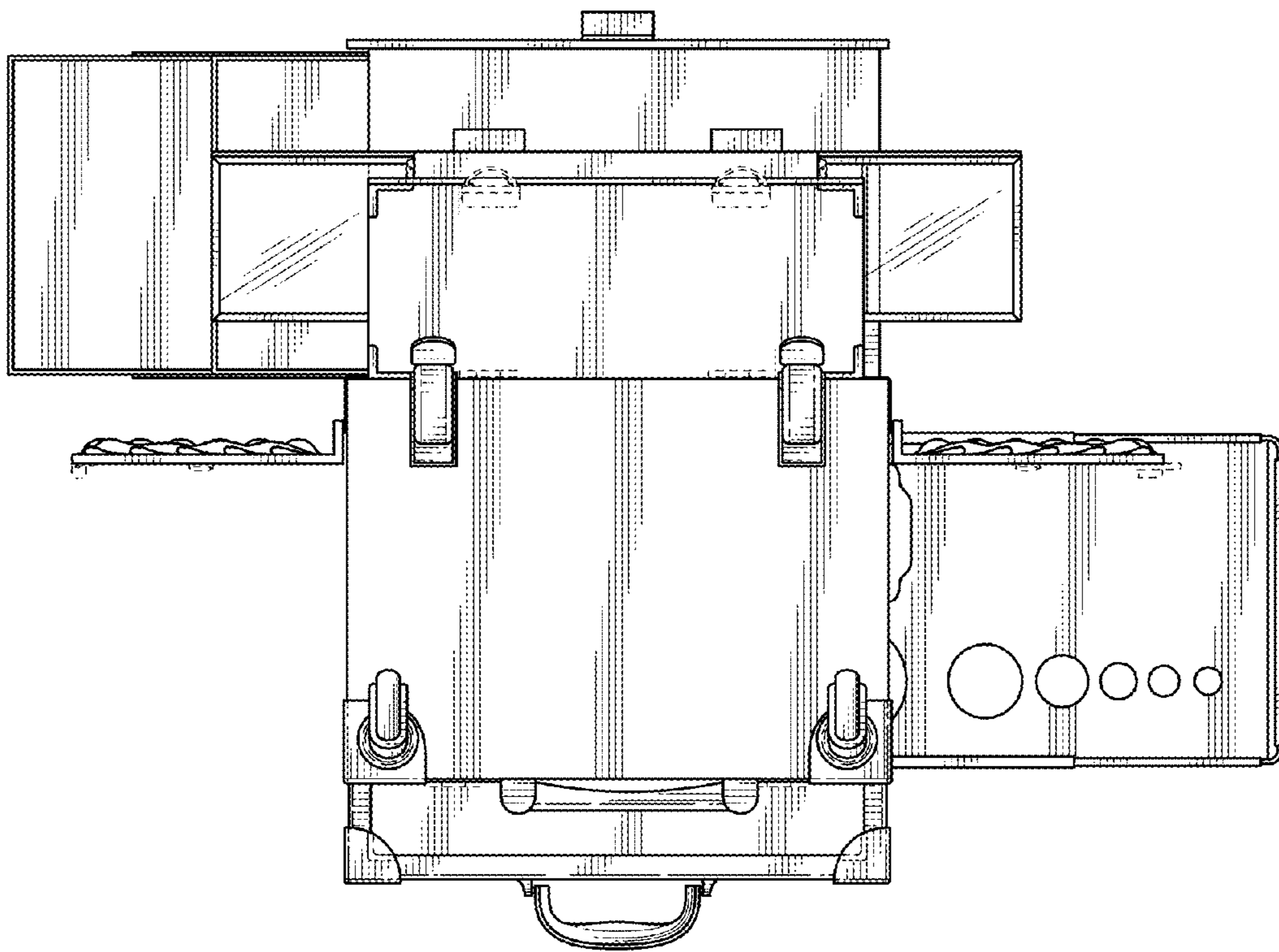


FIG. 13