



US00D746586S

(12) **United States Design Patent**
Tusting

(10) **Patent No.:** **US D746,586 S**
(45) **Date of Patent:** **** Jan. 5, 2016**

(54) **TRANSPARENT GUN HOLSTER**

(71) Applicant: **Paul A. Tusting**, Salt Lake City, UT
(US)

(72) Inventor: **Paul A. Tusting**, Salt Lake City, UT
(US)

(**) Term: **14 Years**

(21) Appl. No.: **29/496,390**

(22) Filed: **Jul. 11, 2014**

Related U.S. Application Data

(63) Continuation-in-part of application No. 13/968,179,
filed on Aug. 15, 2013, now Pat. No. 8,844,184.

(51) **LOC (10) Cl.** **03-01**

(52) **U.S. Cl.**
USPC **D3/222**

(58) **Field of Classification Search**
USPC D3/222–223, 262; 224/192–193,
224/198–199, 238–239, 243, 911
See application file for complete search history.

(56) **References Cited**

U.S. PATENT DOCUMENTS

2,051,844	A *	8/1936	Green	F41C 33/0209 224/243
5,234,145	A *	8/1993	Padin	F41C 33/0218 224/192
D668,453	S *	10/2012	Teichelman	D3/222
D719,729	S *	12/2014	Graham	D3/262

* cited by examiner

Primary Examiner — Catheri Oliver-Garcia

(74) *Attorney, Agent, or Firm* — Geoffrey E. Dobbin;
Dobbin IP Law P.C.

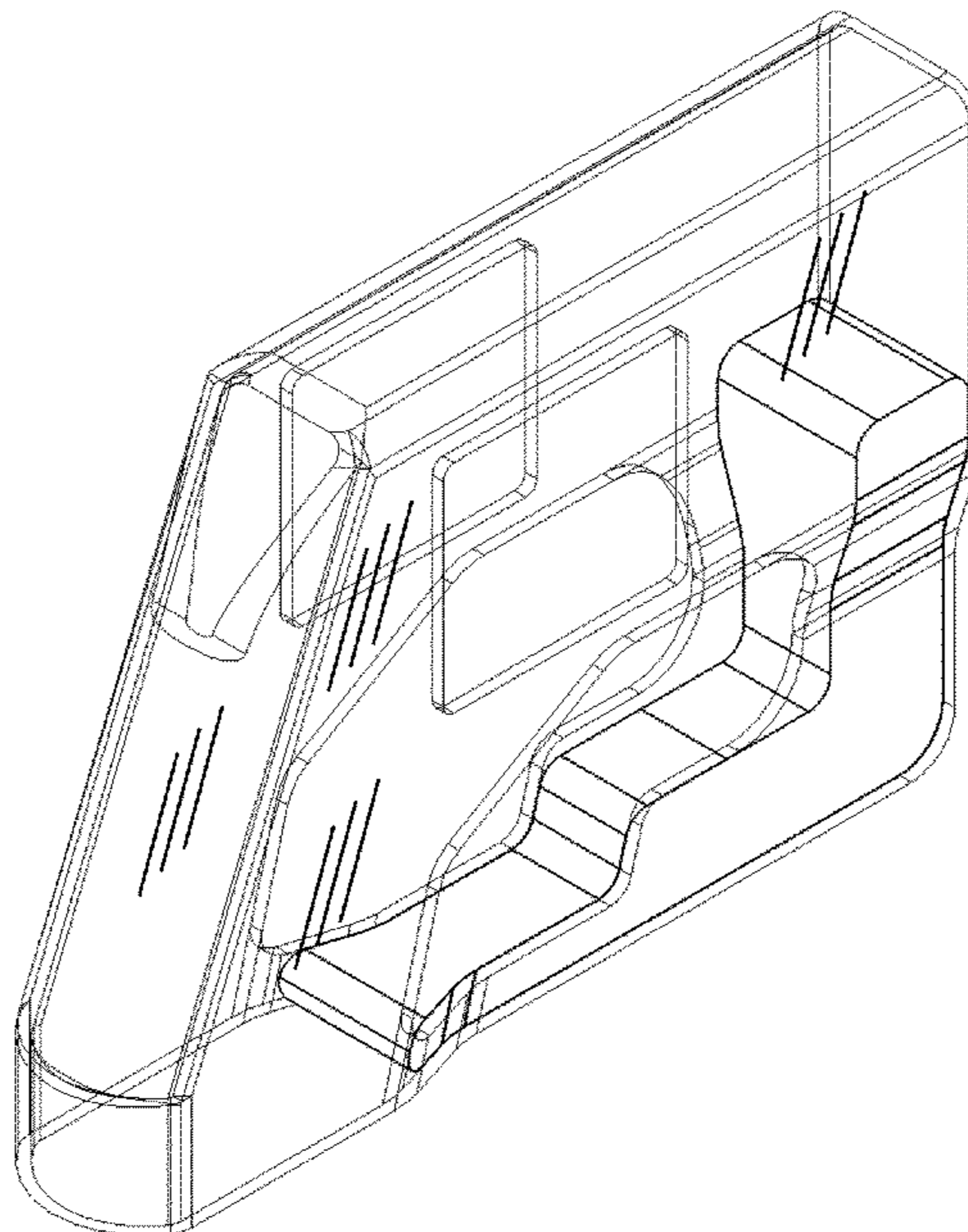
(57) **CLAIM**

The ornamental design for a transparent gun holster, as shown
and described.

DESCRIPTION

FIG. 1 is a perspective view of the transparent gun holster.
FIG. 2 is a top plan view of the transparent gun holster of FIG. 1.
FIG. 3 is a bottom plan view of the transparent gun holster of FIG. 1.
FIG. 4 is a rear elevation of the transparent gun holster of FIG. 1.
FIG. 5 is a front elevation of the transparent gun holster of FIG. 1.
FIG. 6 is a side elevation of the transparent gun holster of FIG. 1.
FIG. 7 is an alternate perspective view of the transparent gun holster of FIG. 1.
FIG. 8 is a bottom plan view of the transparent gun holster of FIG. 1, containing a representative gun.
FIG. 9 is a front elevation of the transparent gun holster of FIG. 8; and,
FIG. 10 is a side elevation of the transparent gun holster of FIG. 8.
The broken lines in FIGS. 8-10 depict a representative handgun and are illustrative of environment and not intended to form a part of the claimed design.

1 Claim, 5 Drawing Sheets



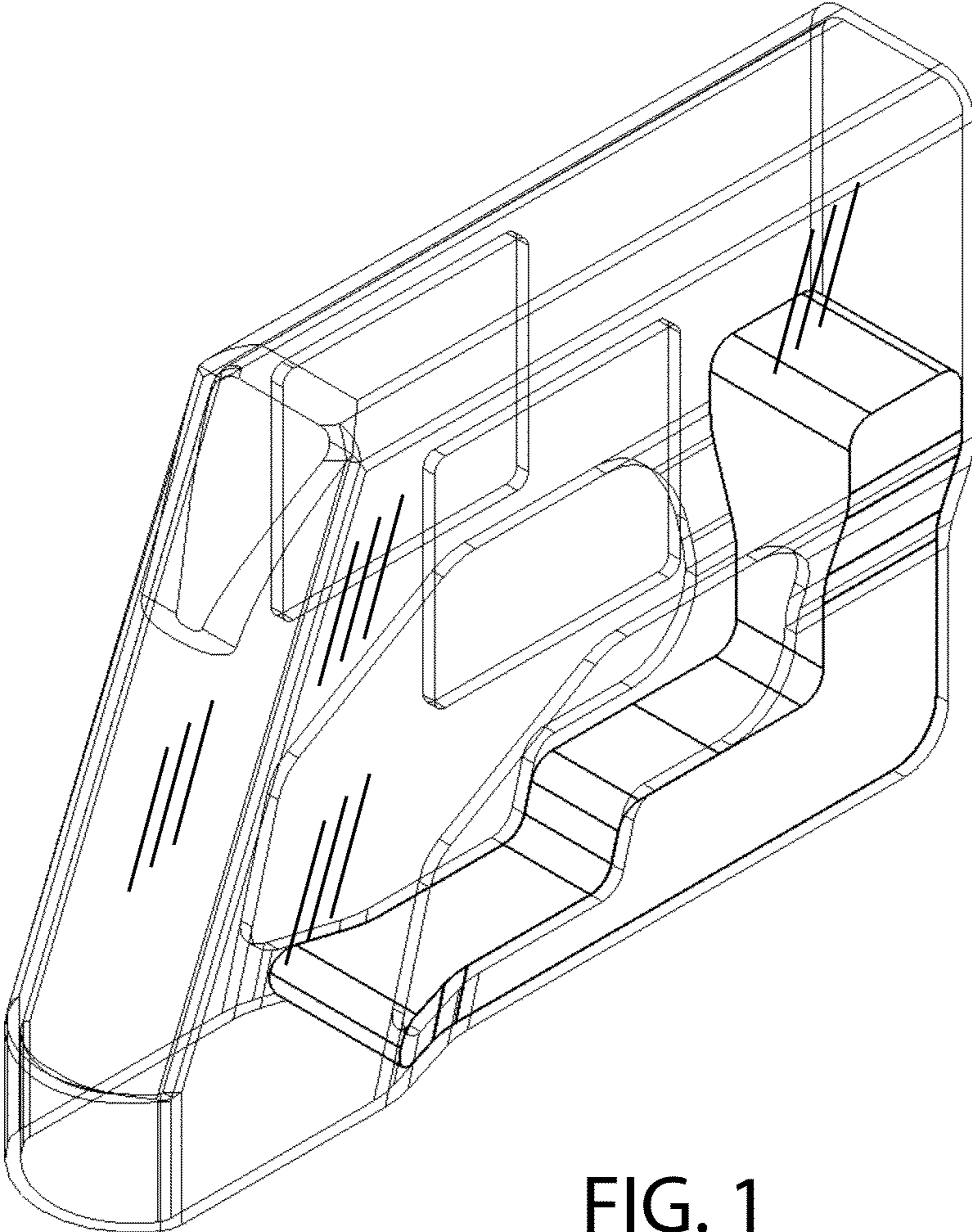


FIG. 1

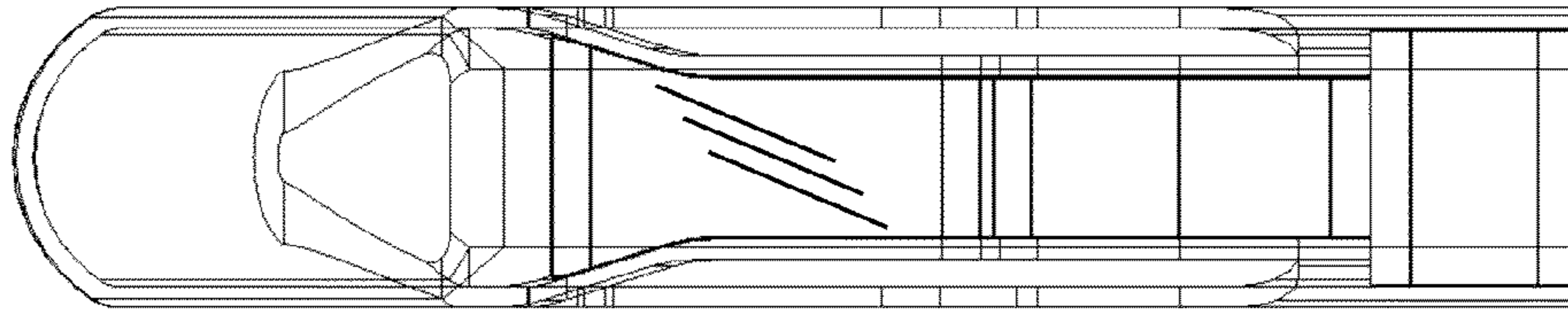


FIG. 2

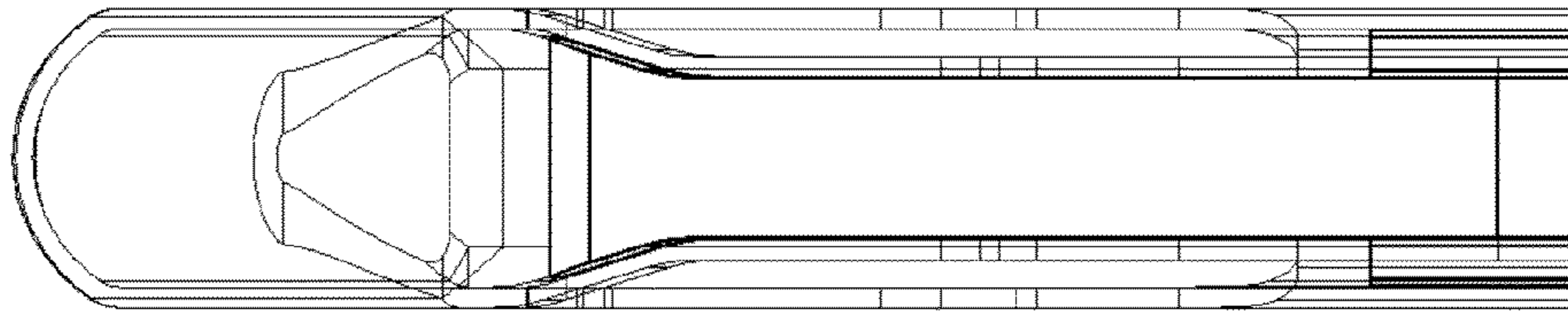


FIG. 3

FIG. 4

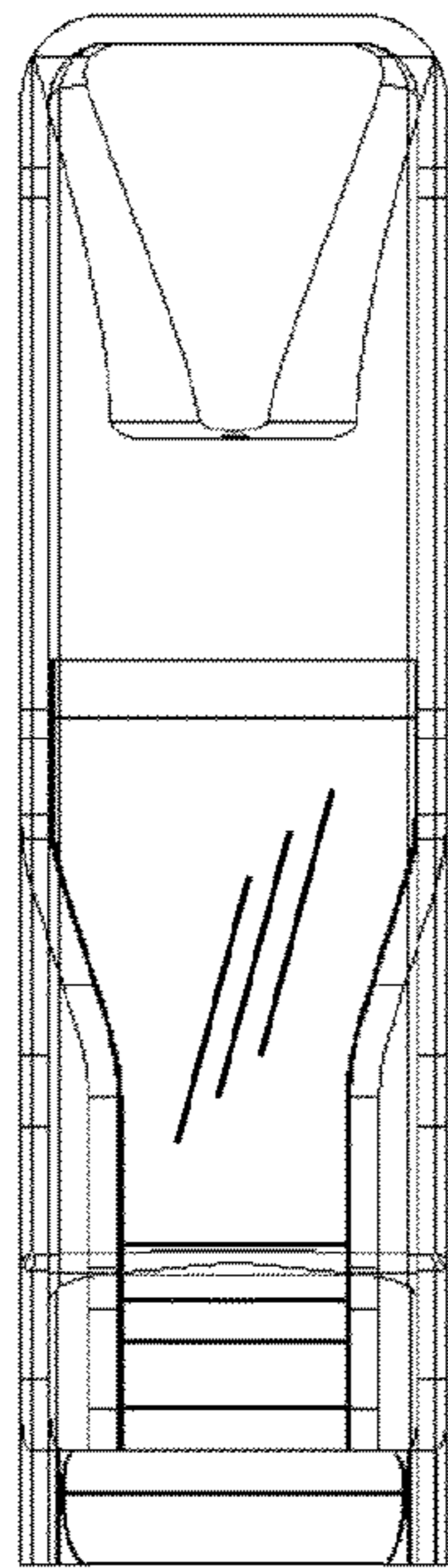
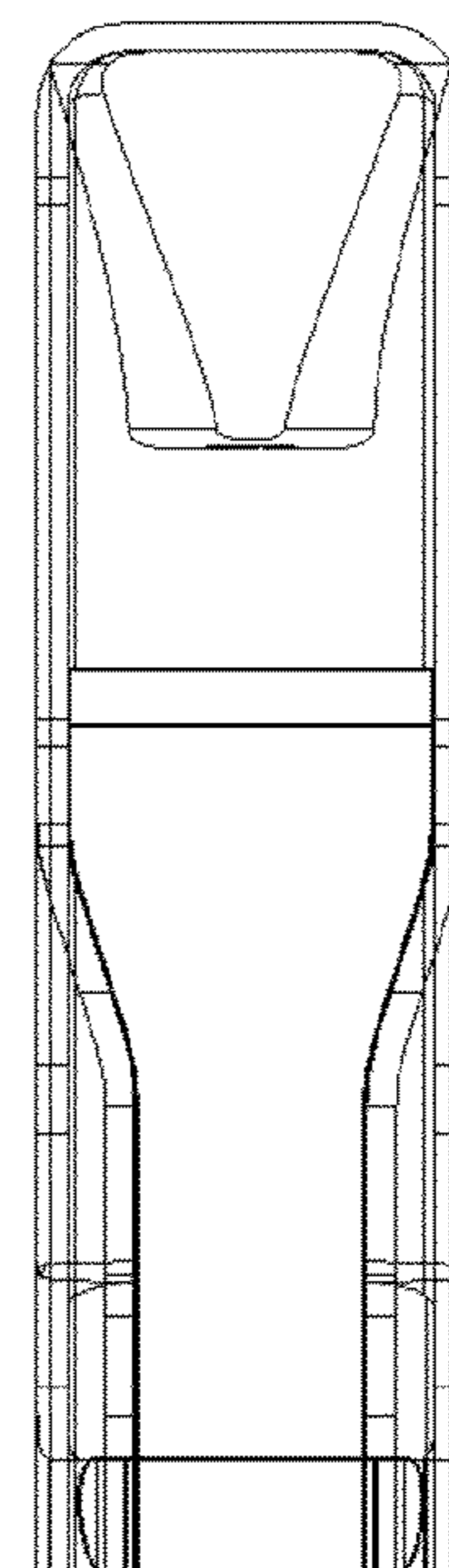


FIG. 5



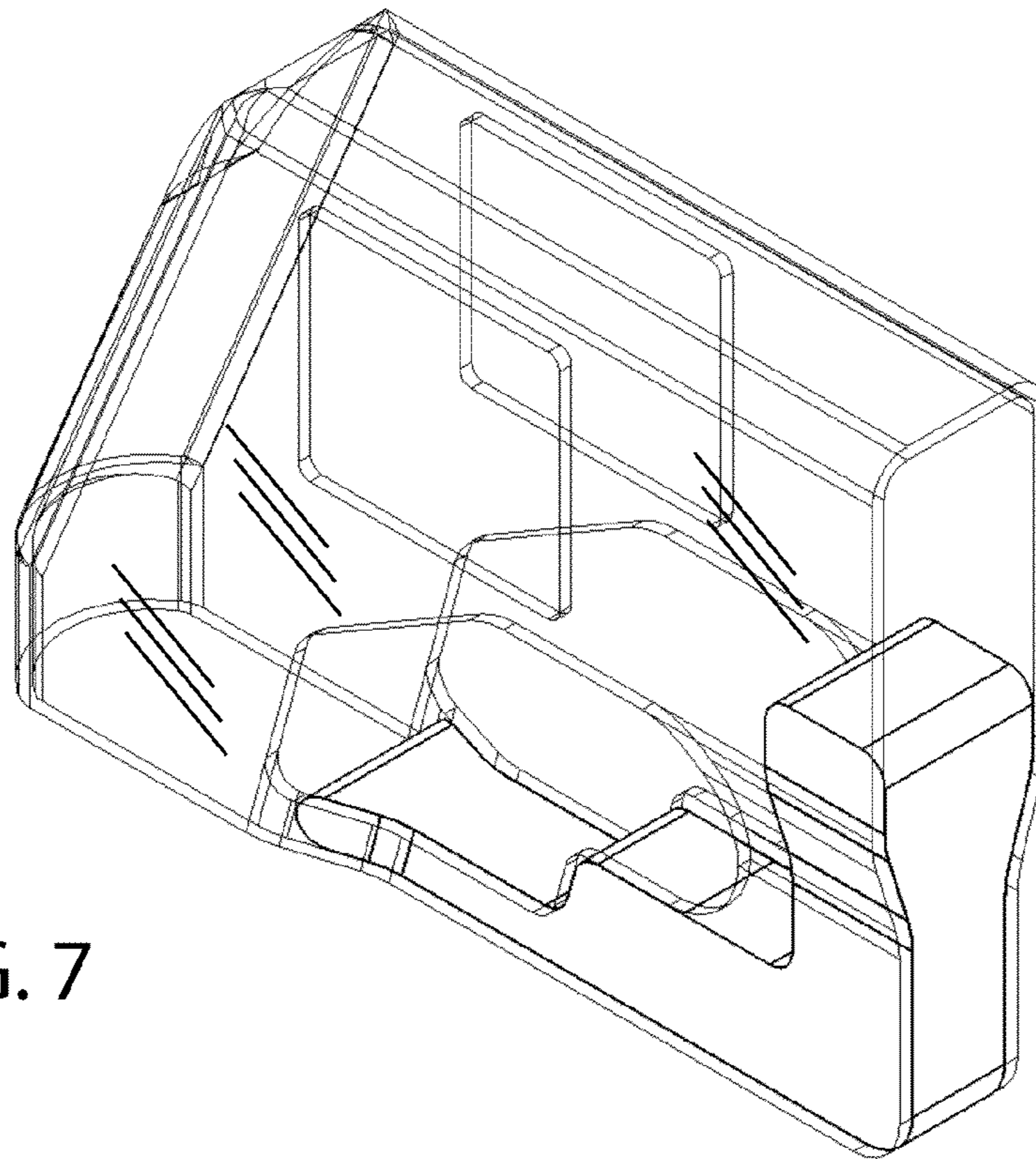
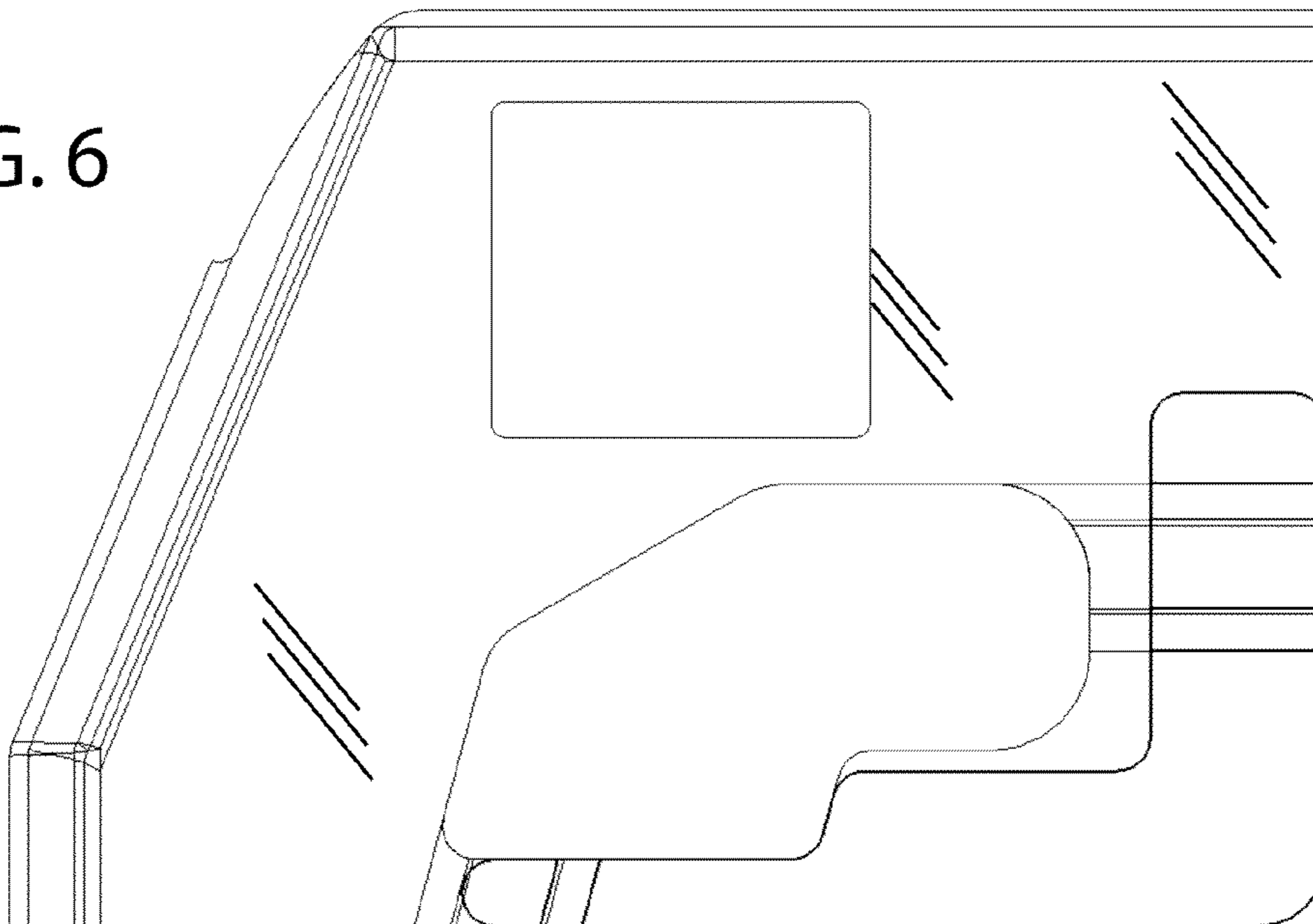


FIG. 7

FIG. 6



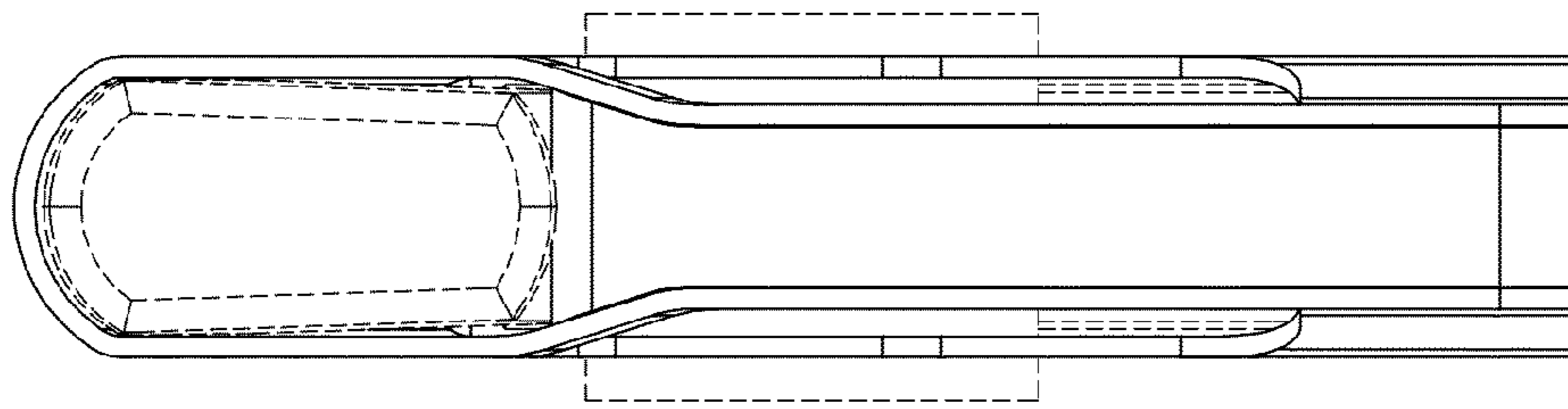


FIG. 8

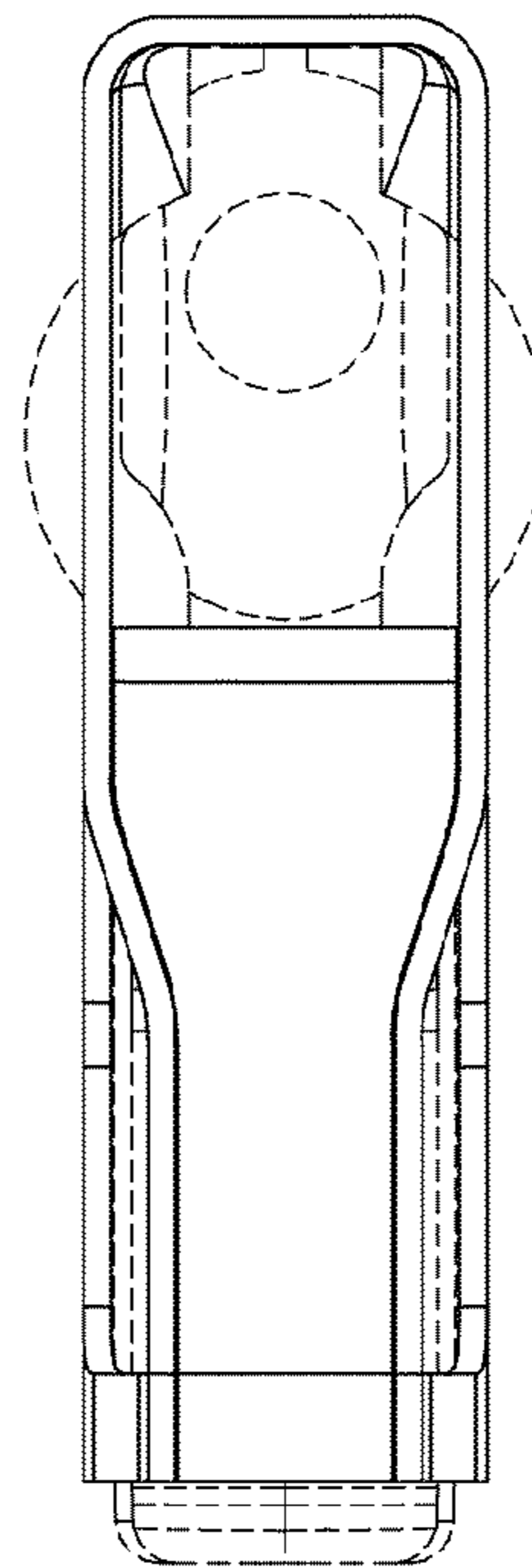


FIG. 9

FIG. 10

