



US00D746585S

(12) **United States Design Patent**  
**Burge et al.**

(10) **Patent No.:** **US D746,585 S**  
(45) **Date of Patent:** **\*\* Jan. 5, 2016**

(54) **KNIFE SHEATH**

(71) Applicant: **Fiskars Brands, Inc.**, Madison, WI (US)

(72) Inventors: **Joe Burge**, Milwaukee, WI (US); **Daniel J. Lipscomb**, Prairie Du Sac, WI (US); **Andrew P. Block**, Madison, WI (US)

(73) Assignee: **Fiskars Brands, Inc.**, Madison, WI (US)

(\*\*) Term: **14 Years**

(21) Appl. No.: **29/490,082**

(22) Filed: **May 6, 2014**

(51) **LOC (10) Cl.** ..... **03-01**

(52) **U.S. Cl.**  
USPC ..... **D3/220**

(58) **Field of Classification Search**  
USPC ..... D3/220; D8/93, 95-99; 451/555;  
224/232, 234, 904; 30/138, 143, 146,  
30/151, 161-162

See application file for complete search history.

(56) **References Cited**

**U.S. PATENT DOCUMENTS**

D140,745 S *	4/1945	Fairbairn et al. ....	224/232
3,676,961 A *	7/1972	Jackson .....	B26B 29/025 30/138
D374,981 S *	10/1996	Hainsworth .....	D3/220
D591,040 S *	4/2009	Foster .....	D3/220
D672,549 S *	12/2012	McLean .....	D3/220

\* cited by examiner

*Primary Examiner* — Catheri Oliver-Garcia

(74) *Attorney, Agent, or Firm* — Foley & Lardner LLP

(57) **CLAIM**

We claim the ornamental design for a knife sheath, as shown and described.

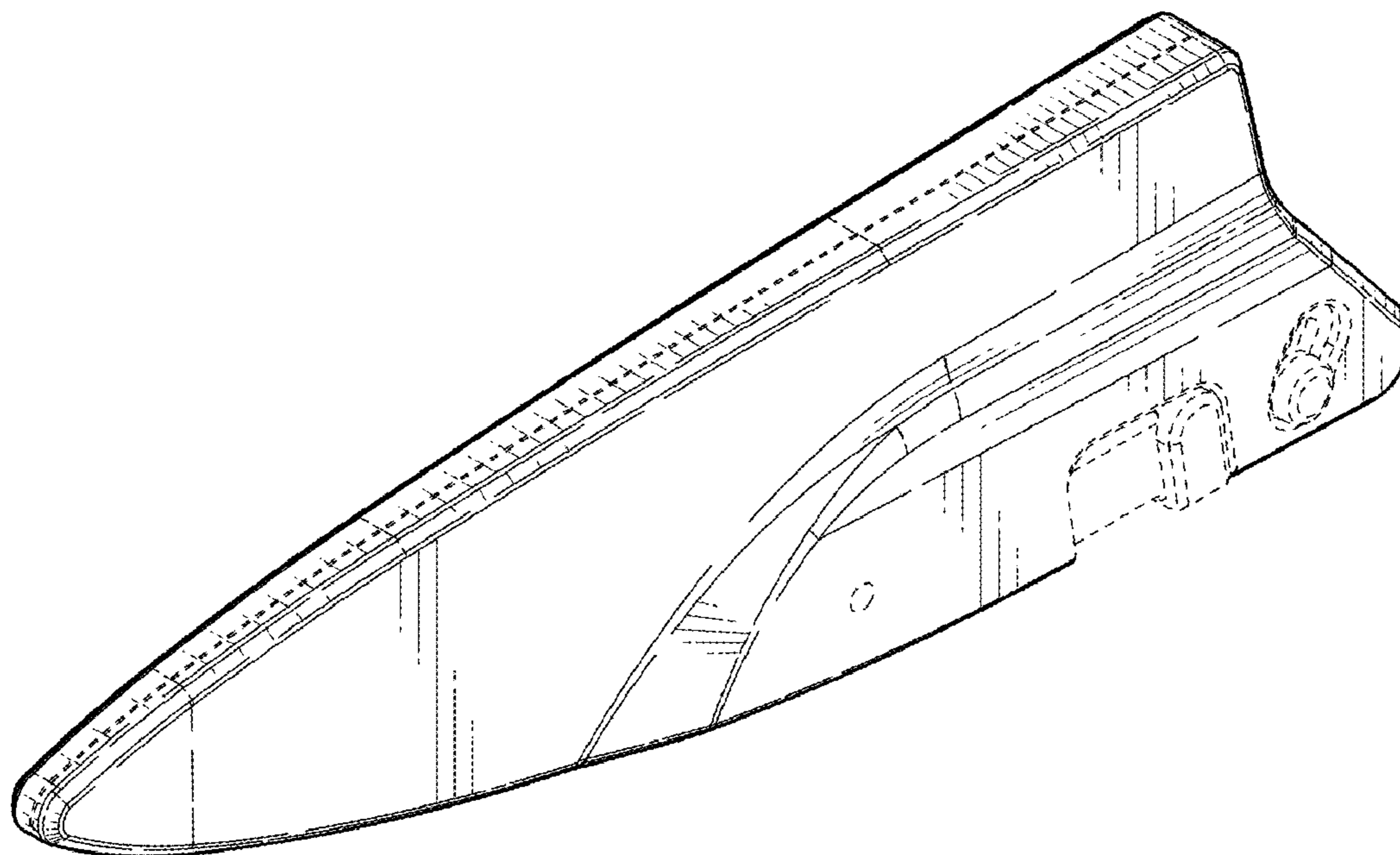
**DESCRIPTION**

FIG. 1 is an isometric view of a knife sheath;  
FIG. 2 is a right side elevational view thereof;  
FIG. 3 is a left side elevational view thereof;  
FIG. 4 is a rear elevational view thereof;  
FIG. 5 is a front elevational view thereof;  
FIG. 6 is a top plan view thereof; and,  
FIG. 7 is a bottom plan view thereof.

The ornamental design which is claimed is shown in solid lines in the drawings. The broken lines in the drawings are for illustrative purposes only and show unclaimed portions of the claimed design.

While the accompanying drawings illustrate various exemplary embodiments, it should be understood that according to other exemplary embodiments that should be considered to be within the possession of the inventors of the present application at the time this application is being filed, it is contemplated that any illustrated solid lines may be converted to broken lines and that any illustrated broken lines may be converted to solid lines so as to claim or disclaim portions, components, or sub-components of the designs shown.

**1 Claim, 3 Drawing Sheets**



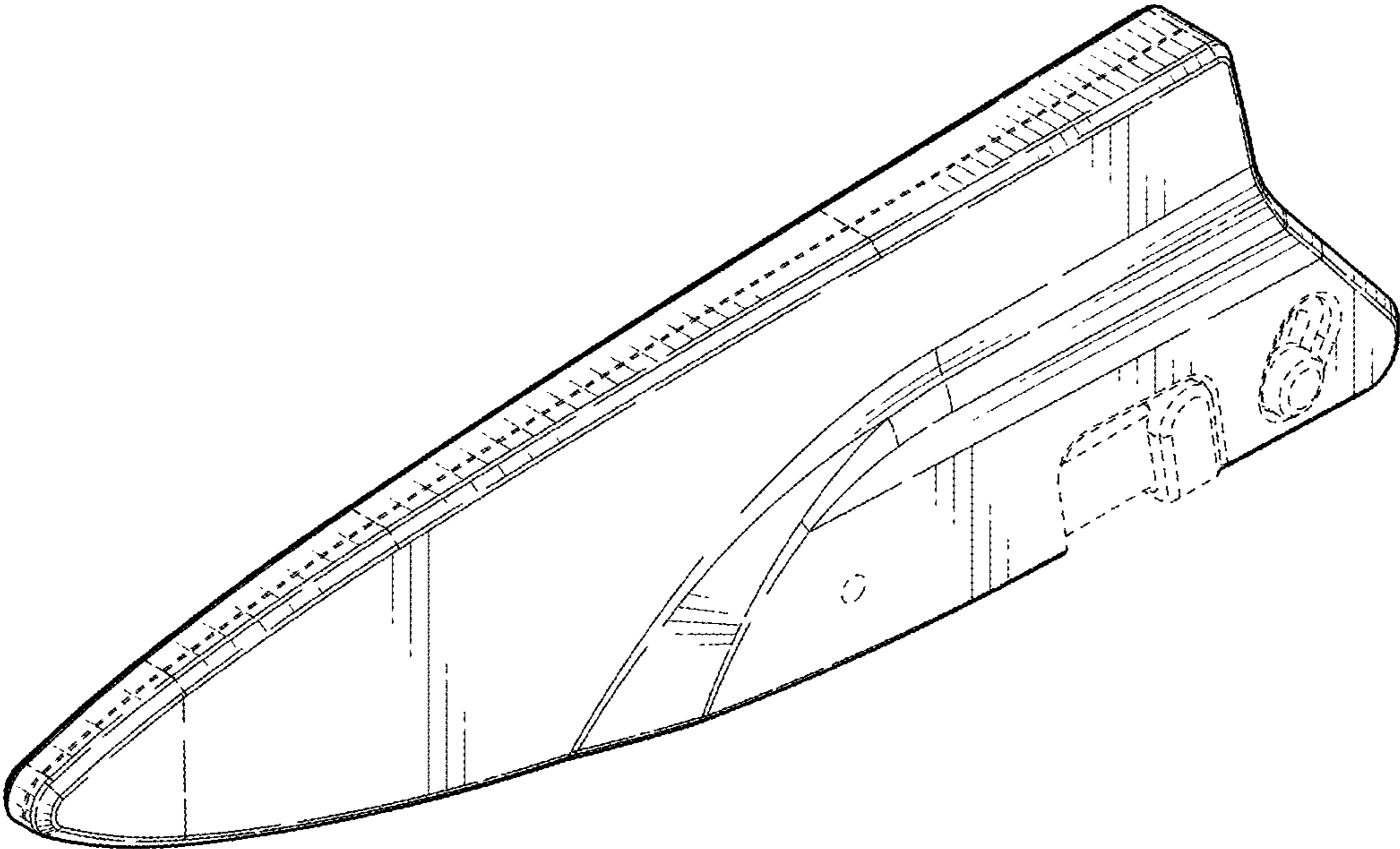


FIG. 1

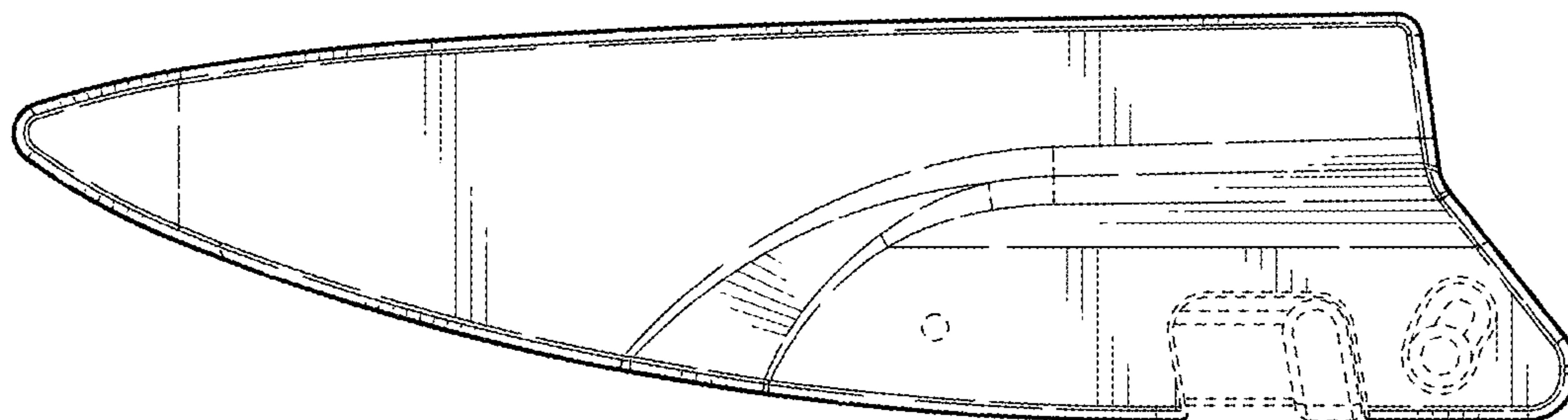


FIG. 2

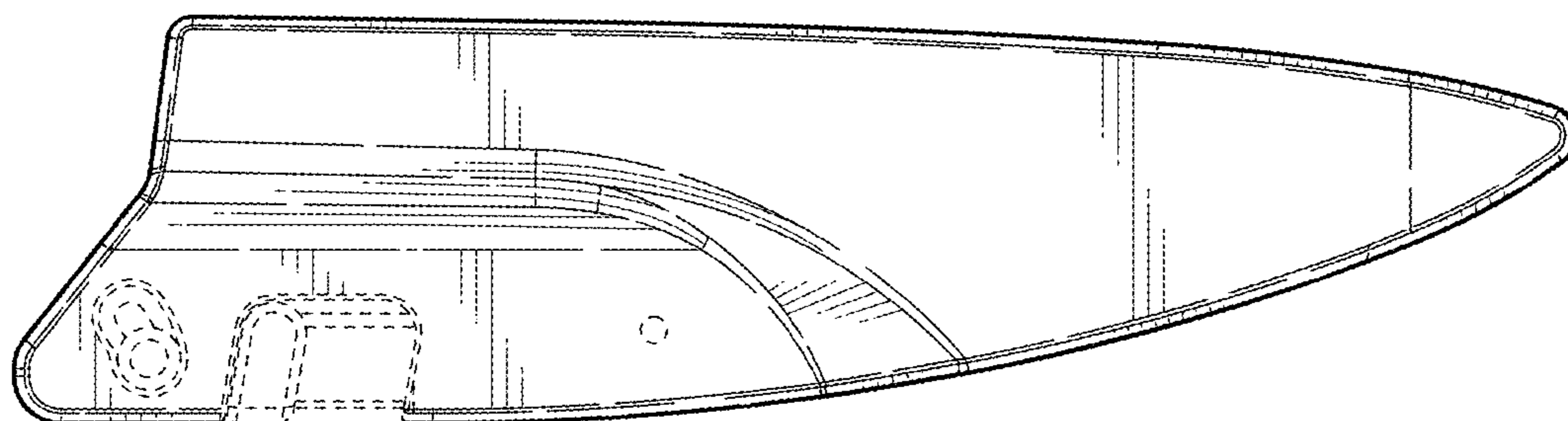


FIG. 3

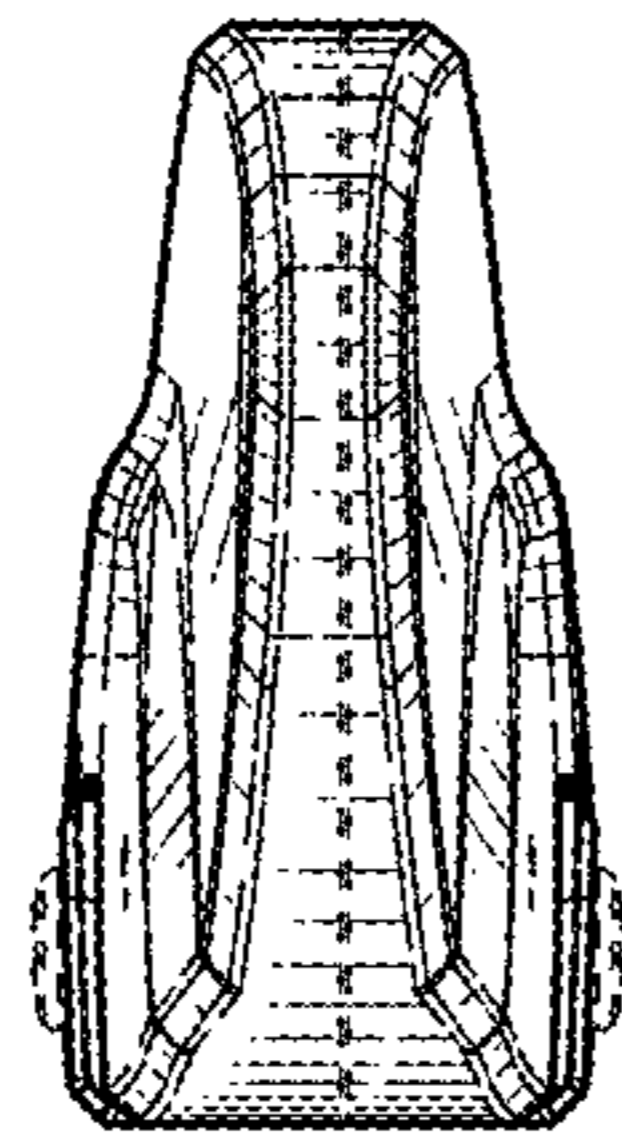


FIG. 4

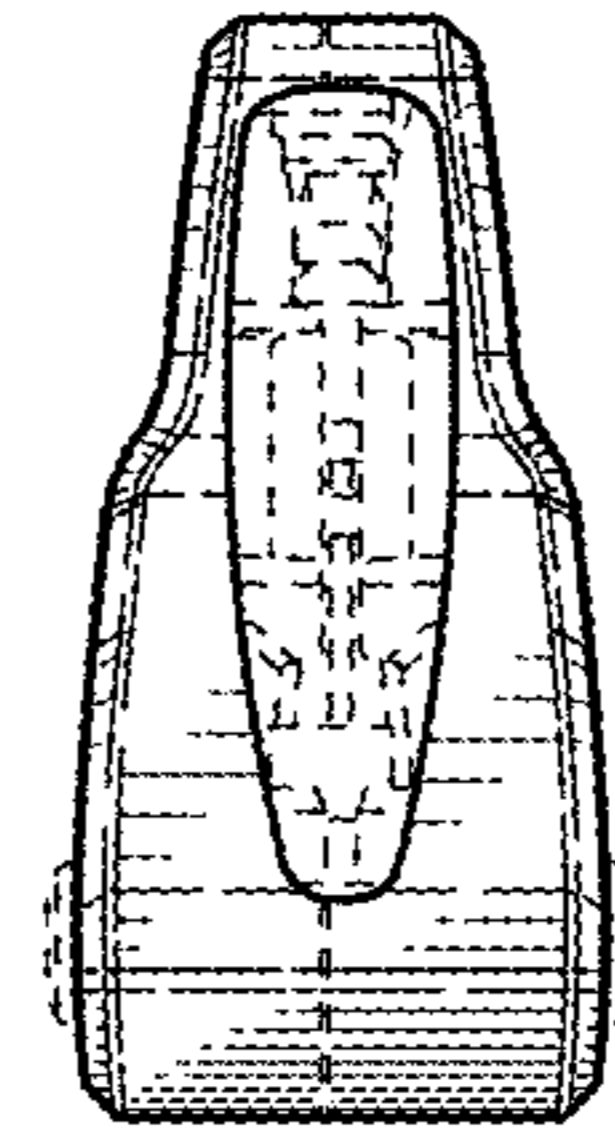


FIG. 5

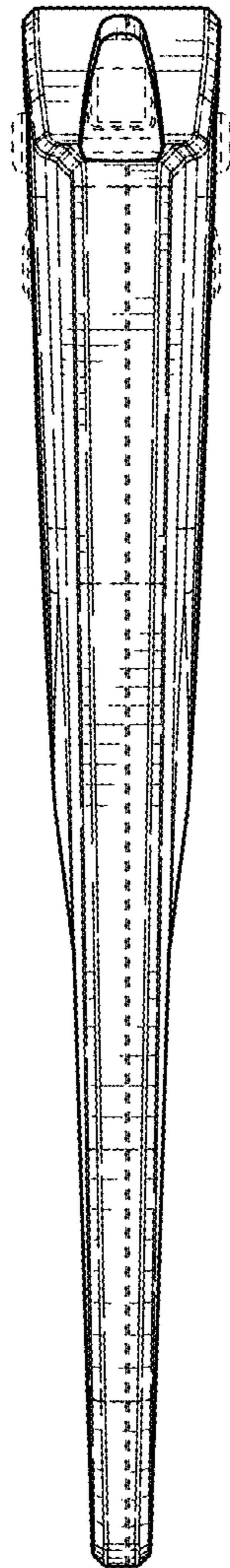


FIG. 6

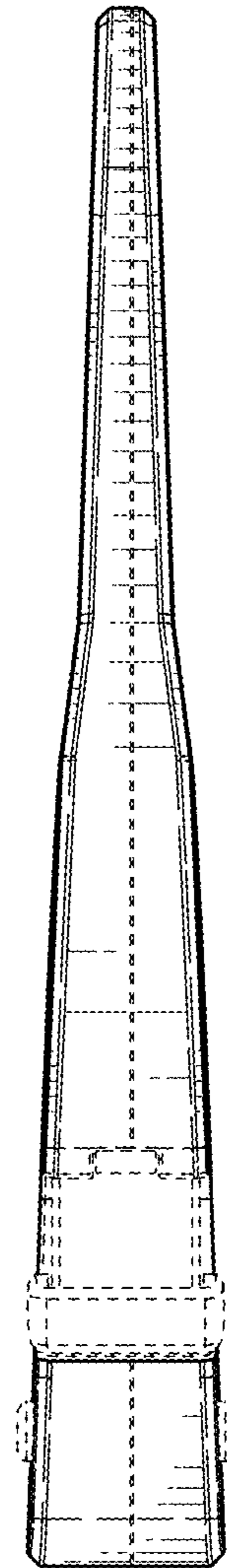


FIG. 7