



US00D746584S

(12) **United States Design Patent**
McDonald

(10) **Patent No.:** **US D746,584 S**

(45) **Date of Patent:** **** Jan. 5, 2016**

(54) **BACK PACK**

(71) Applicant: **Paul C. McDonald**, Simi Valley, CA
(US)

(72) Inventor: **Paul C. McDonald**, Simi Valley, CA
(US)

(**) Term: **14 Years**

(21) Appl. No.: **29/487,447**

(22) Filed: **Apr. 8, 2014**

(51) **LOC (10) Cl.** **03-01**

(52) **U.S. Cl.**
USPC **D3/216**

(58) **Field of Classification Search**
USPC D3/201, 213–218, 231, 232, 233, 254,
D3/267, 273, 274, 279, 283, 285, 286, 287,
D3/289, 290, 301, 318, 321, 327,
D3/307–309; 224/153
CPC A45F 3/04; A45F 4/02; A45F 3/02;
A45F 3/08; A45F 3/047; A45C 9/00; A45C
5/14; A45C 13/02; A45C 3/00; A45C 13/08;
A41D 15/04
See application file for complete search history.

(56) **References Cited**

U.S. PATENT DOCUMENTS

D385,673 S * 10/1997 Siler et al. D99/28
D406,423 S * 3/1999 Kellogg et al. D32/37

7,845,507 B2 * 12/2010 Kellogg et al. 220/6
D634,932 S * 3/2011 Sabounjian D3/299
D637,809 S * 5/2011 Meldeau D3/232
D644,025 S * 8/2011 Finch D3/310
D671,317 S * 11/2012 Sabounjian D3/285
D698,150 S * 1/2014 Sabounjian D3/285
D705,541 S * 5/2014 Harris D3/318
D711,096 S * 8/2014 Hanna D3/232
D727,025 S * 4/2015 Dreyer D3/299
2010/0314484 A1 * 12/2010 Houston et al. 242/588.3
2012/0267365 A1 * 10/2012 Sabounjian 220/6

* cited by examiner

Primary Examiner — George D Kirschbaum

Assistant Examiner — Jennifer Watkins

(74) *Attorney, Agent, or Firm* — Koppel, Patrick, Heybl &
Philpott; Michael J. Ram

(57) **CLAIM**

The ornamental design for a back pack, as shown and
described.

DESCRIPTION

FIG. 1 is a rear perspective view of a back pack incorporating
features of the invention.

FIG. 2 is a rear view of the back pack of FIG. 1

FIG. 3 is a bottom view of the back pack of FIG. 1.

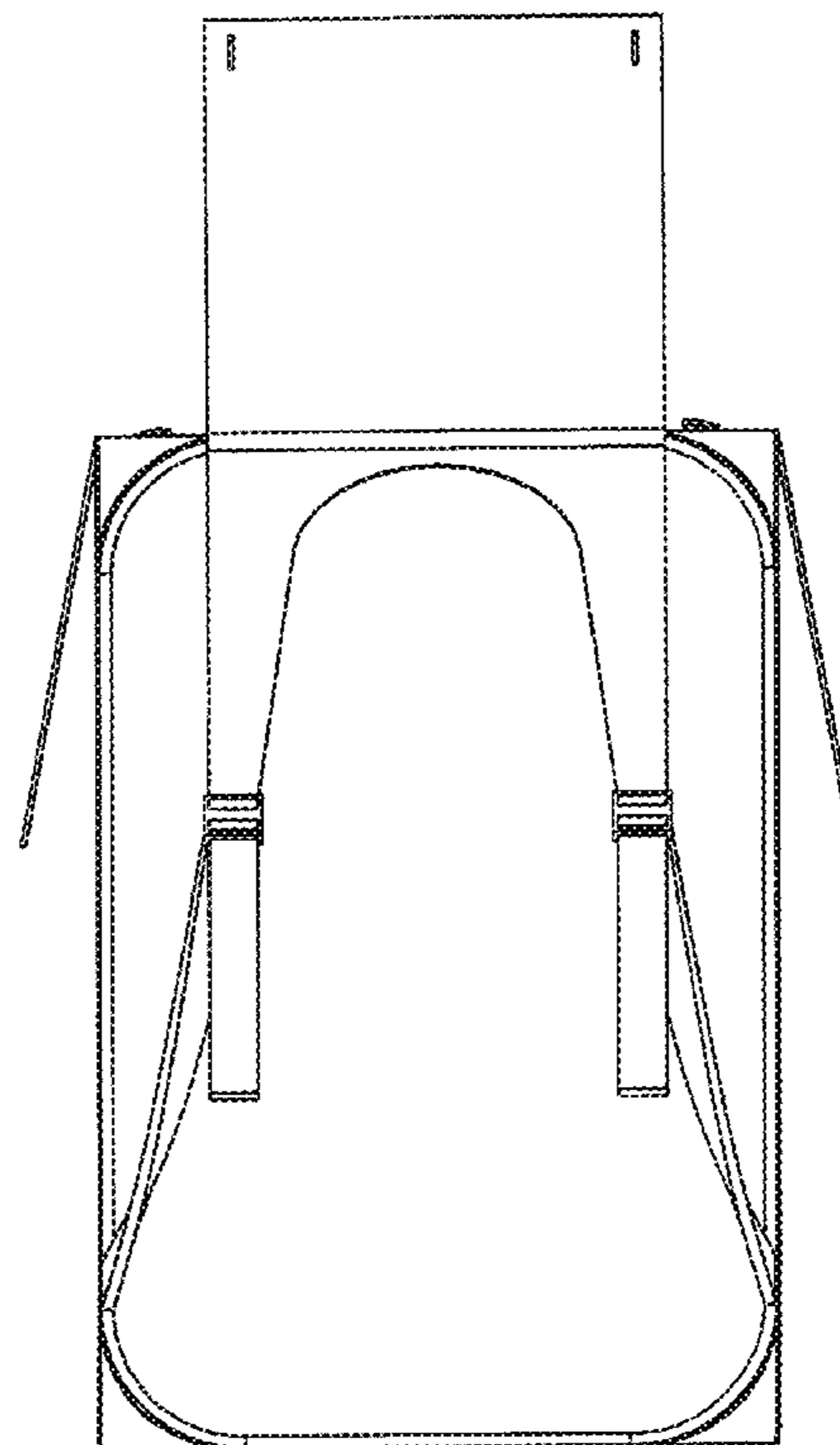
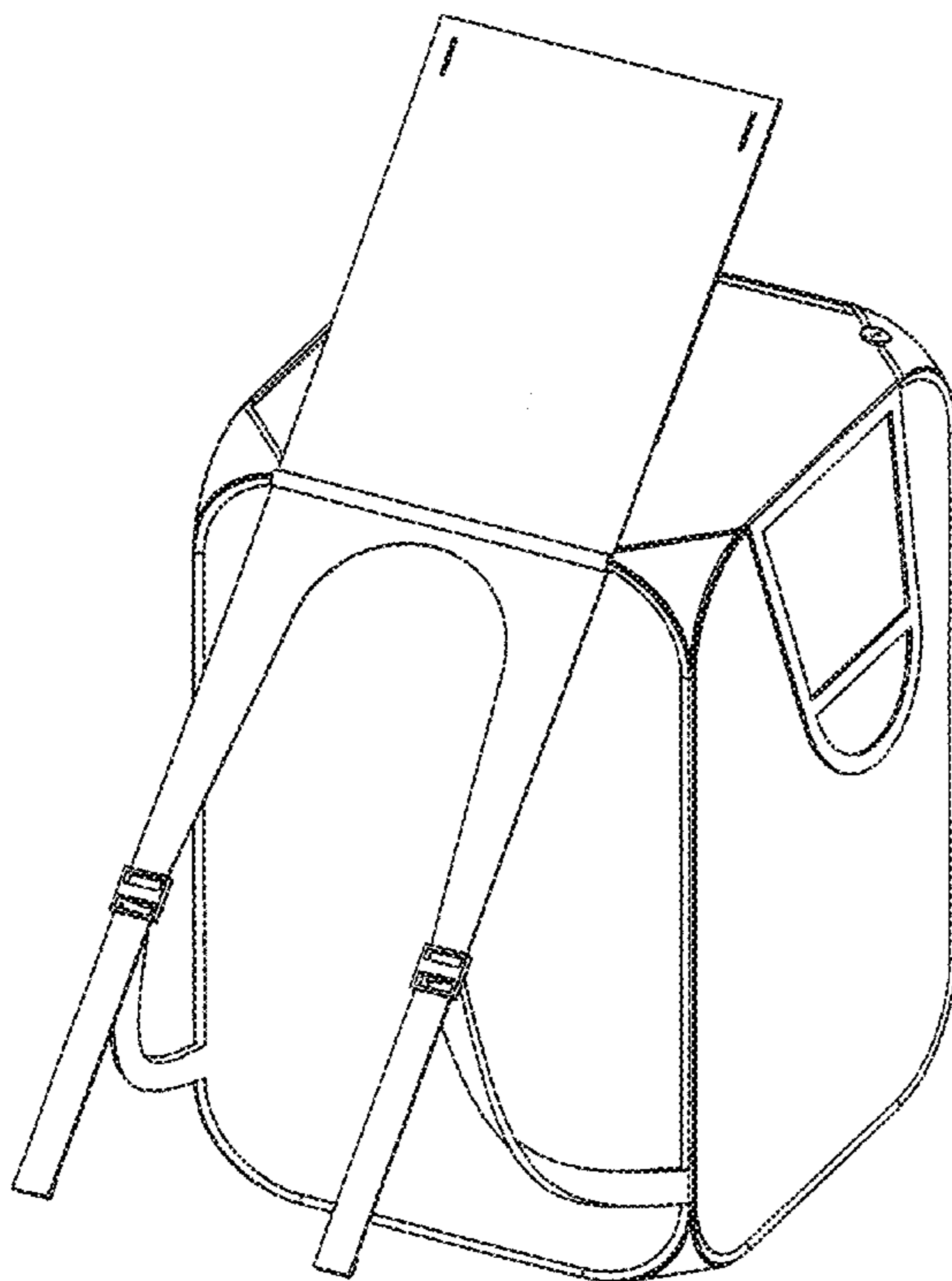
FIG. 4 is a front view of the back pack of FIG. 1.

FIG. 5 is a right side view of the back pack of FIG. 1.

FIG. 6 is a left side view of the back pack of FIG. 1; and,

FIG. 7 is a top view of the back pack of FIG. 1.

1 Claim, 7 Drawing Sheets



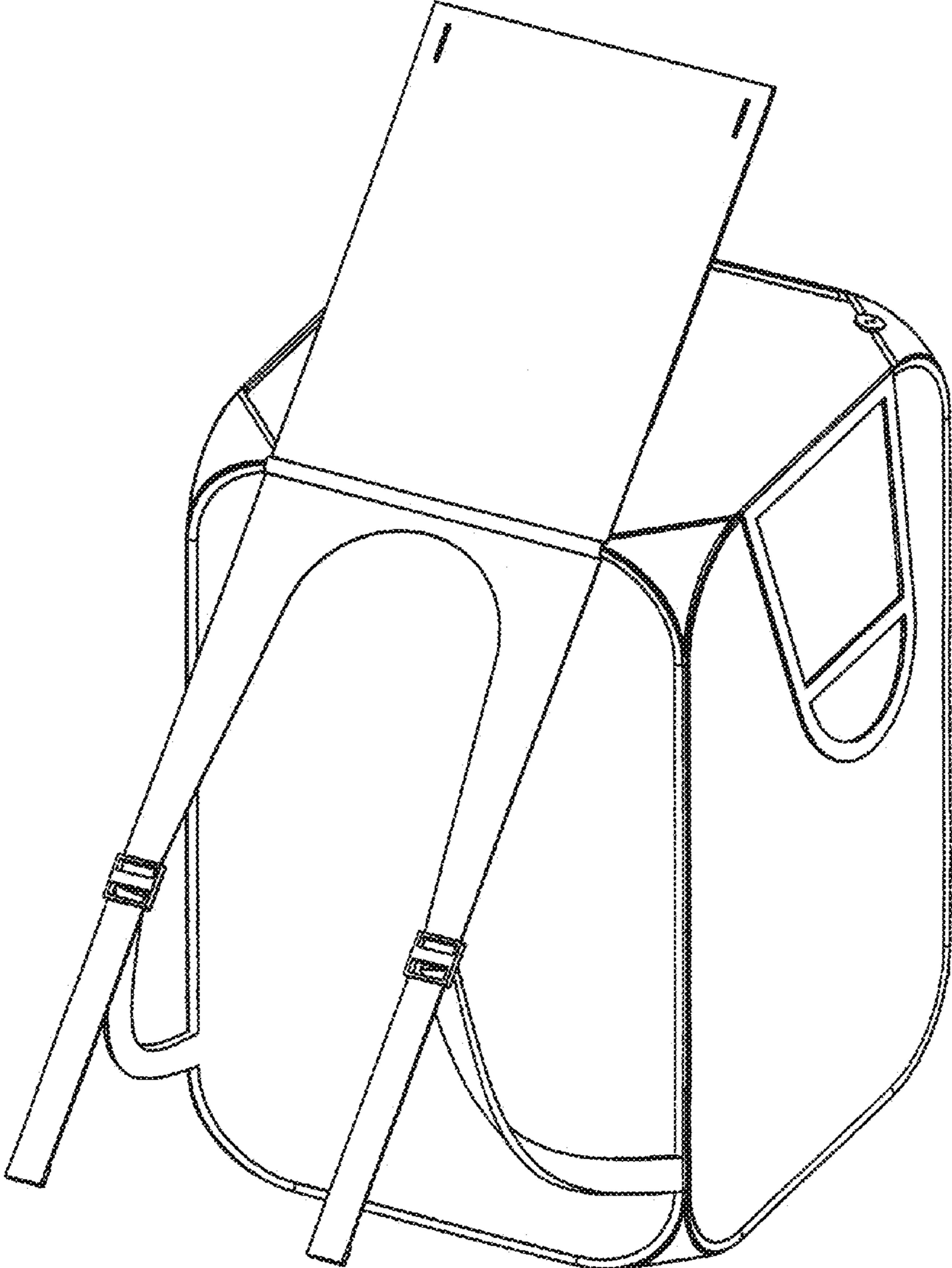


FIGURE 1

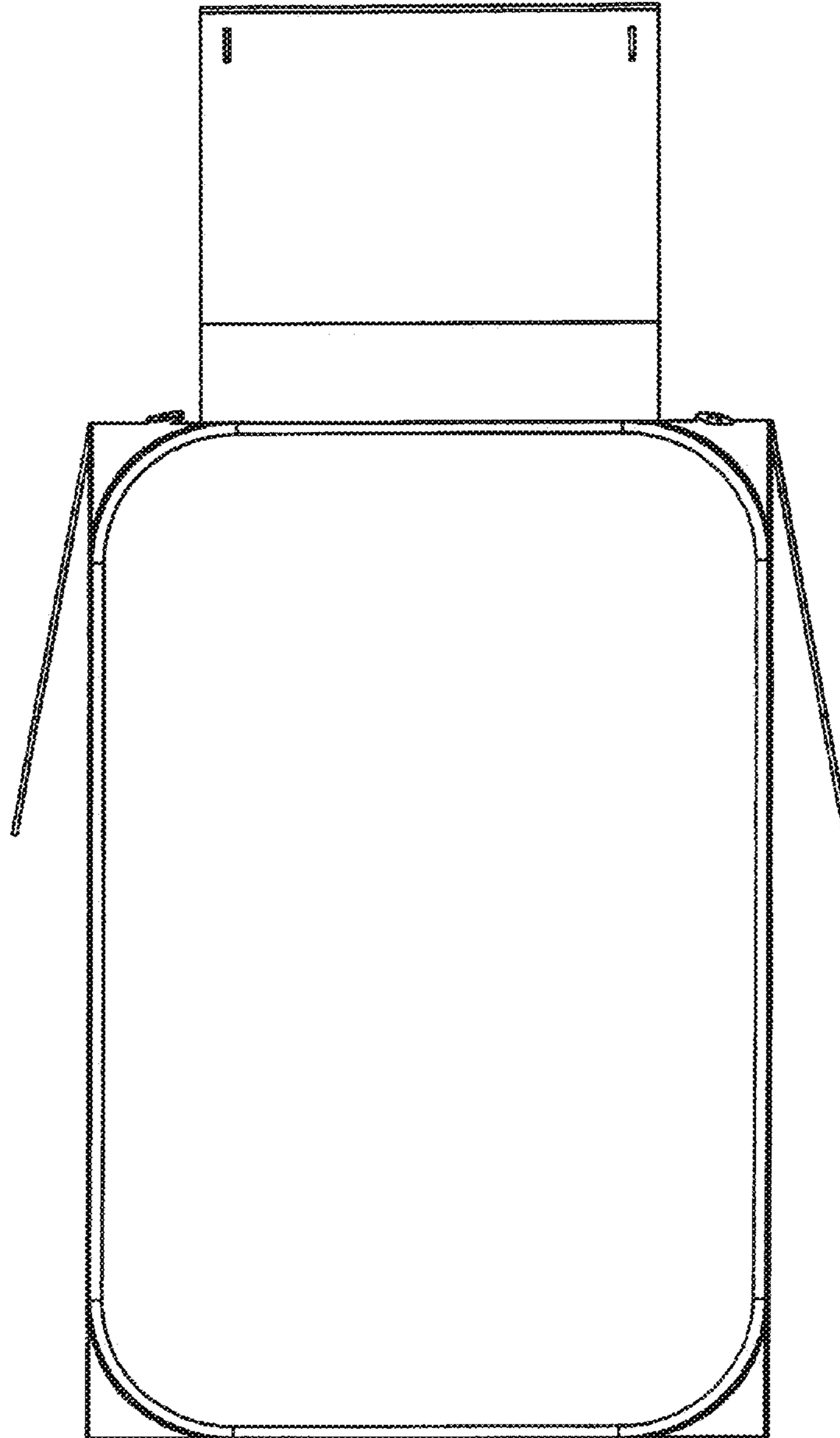


FIGURE 2

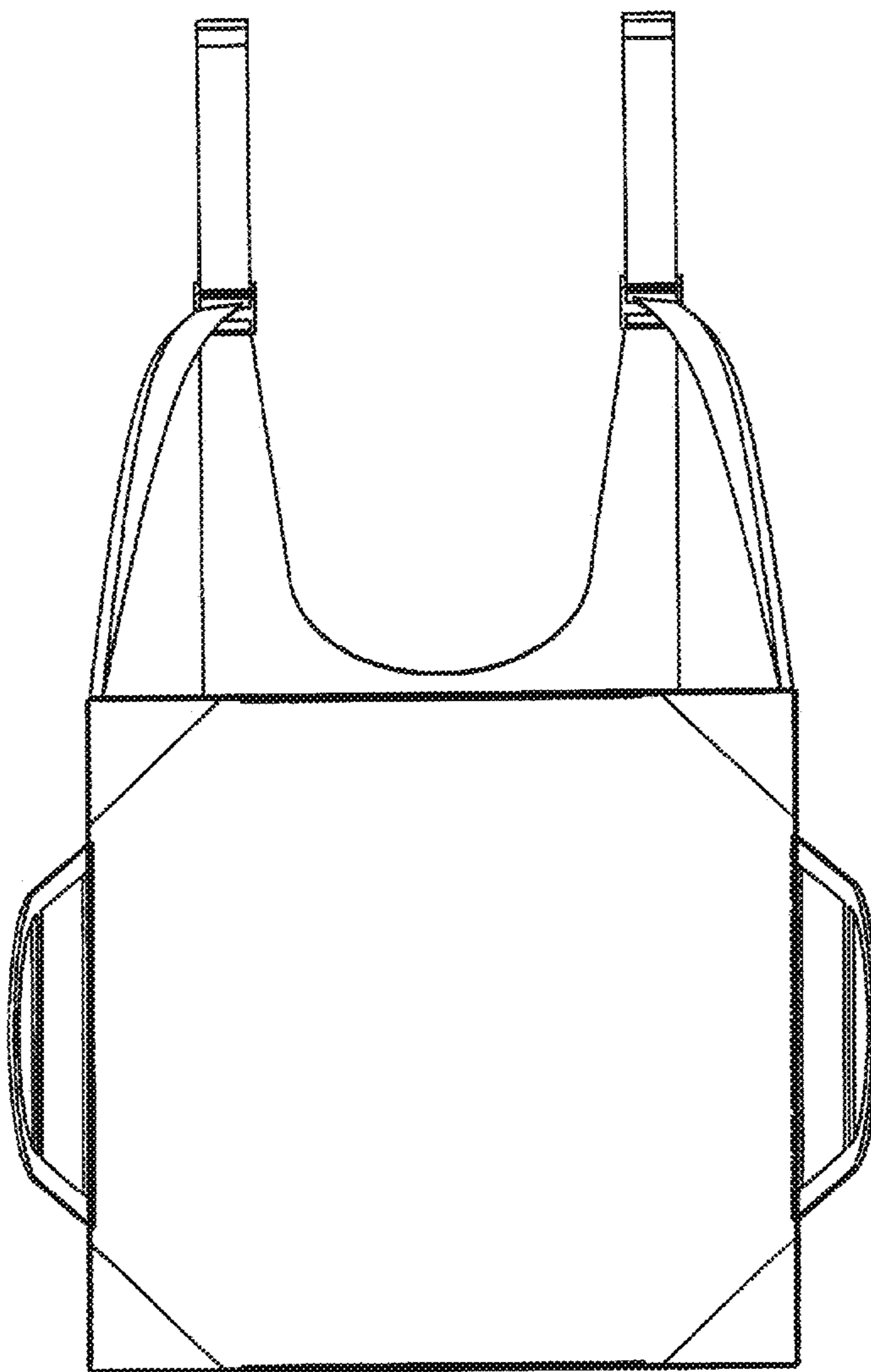


FIGURE 3

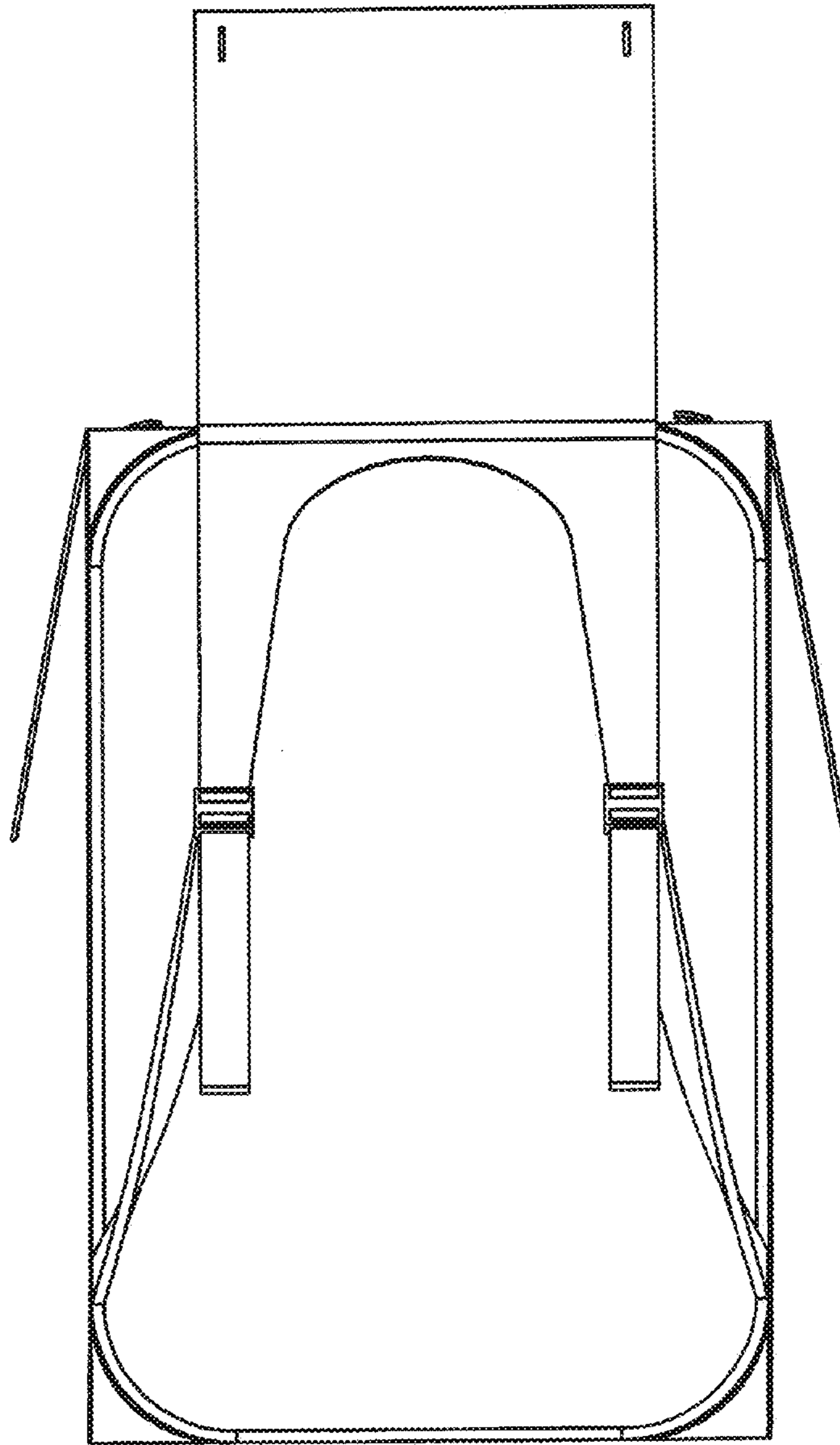


FIGURE 4

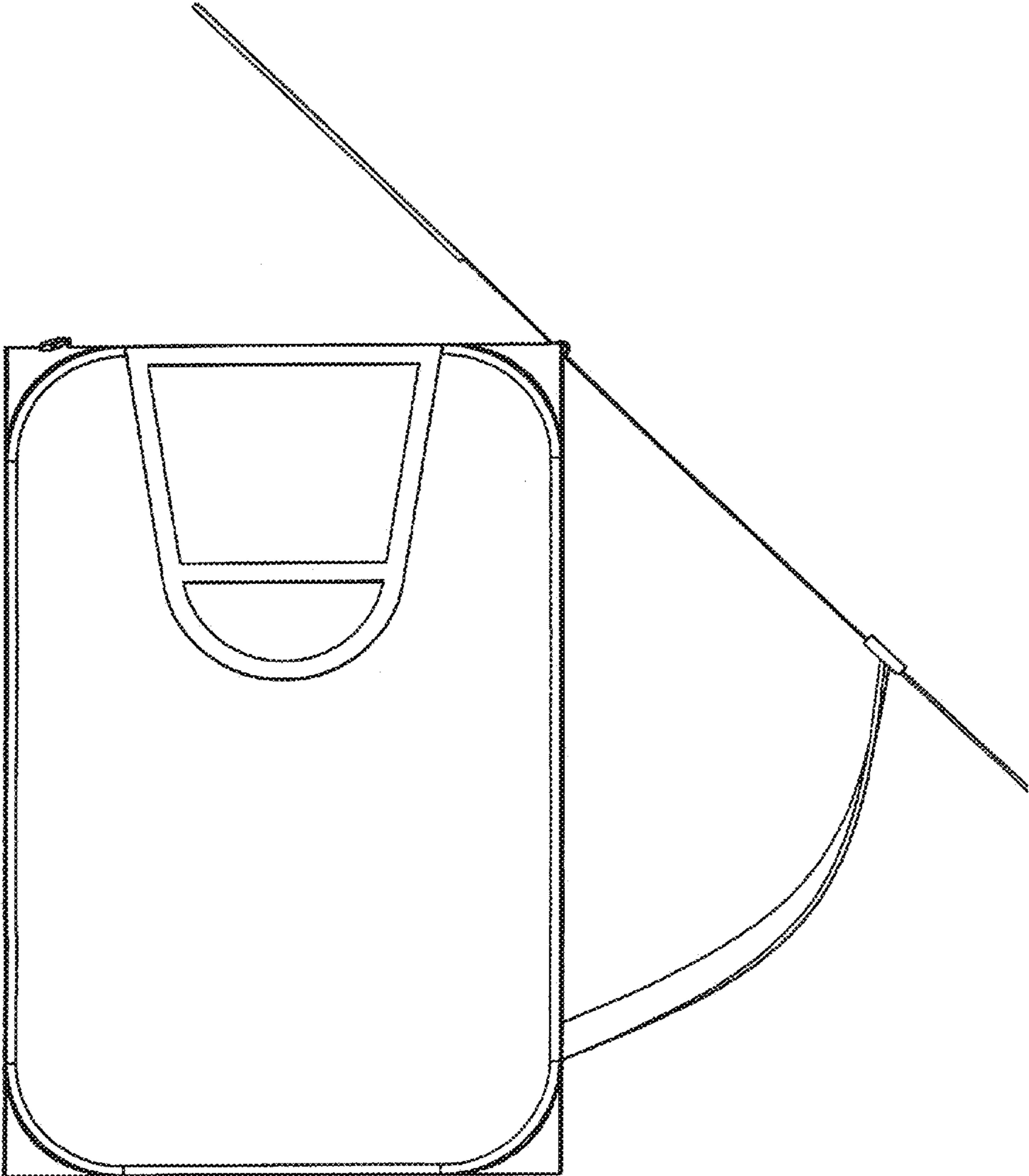


FIGURE 5

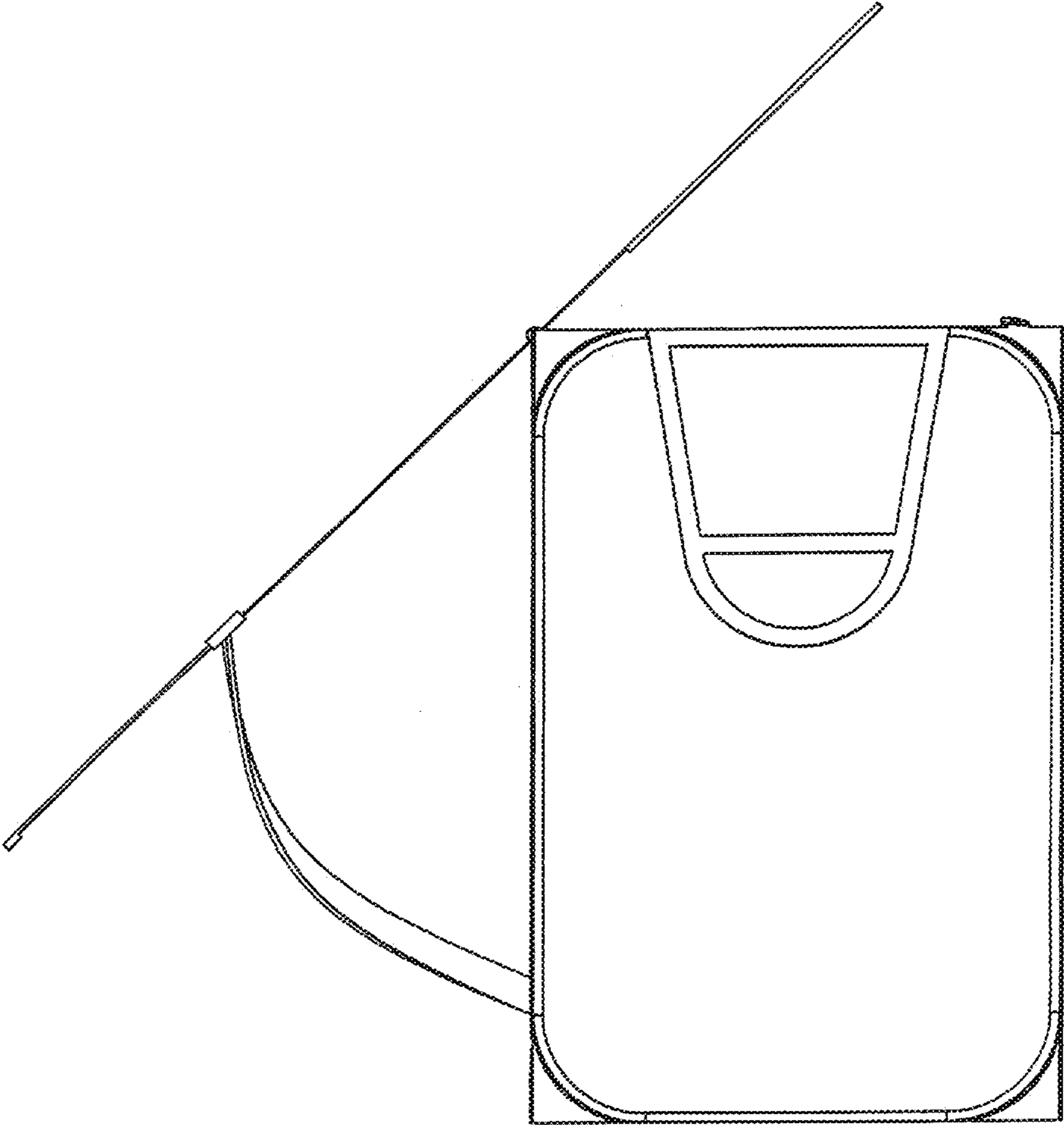


FIGURE 6

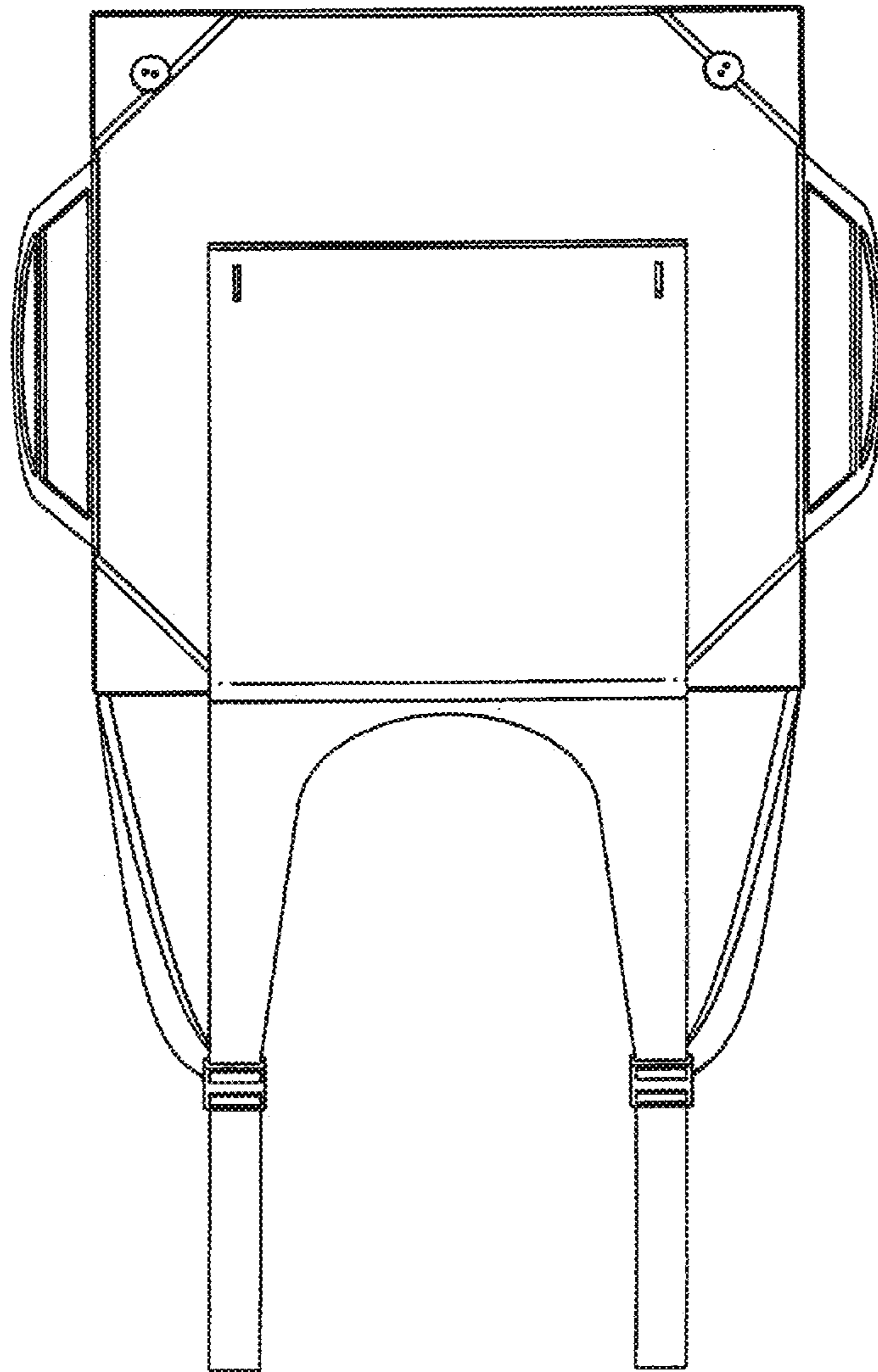


FIGURE 7