



US00D746582S

(12) **United States Design Patent**
Saiz De Soto

(10) **Patent No.:** **US D746,582 S**

(45) **Date of Patent:** **** Jan. 5, 2016**

(54) **EDUCATIONAL DENTAL KIT**
(71) Applicant: **SPANISH KITS COMPANY, S.L.**, San Fernando de Henares (ES)
(72) Inventor: **Jose Ramon Saiz De Soto**, San Fernando de Henares (ES)
(73) Assignee: **Spanish Kits Company, S.L.**, San Fernando de Henares (Madrid) (ES)

D531,906 S * 11/2006 Mongeon et al. D9/522
D533,066 S * 12/2006 Mongeon et al. D9/522
D535,564 S * 1/2007 Toth et al. D9/522
D630,640 S * 1/2011 Kuo D14/480.5

* cited by examiner

Primary Examiner — Susan Bennett Hattan
Assistant Examiner — Charles Hanson
(74) *Attorney, Agent, or Firm* — Wenderoth, Lind & Ponack, L.L.P.

(**) Term: **14 Years**
(21) Appl. No.: **29/461,523**

(57) **CLAIM**
The ornamental design for an educational dental kit, as shown and described.

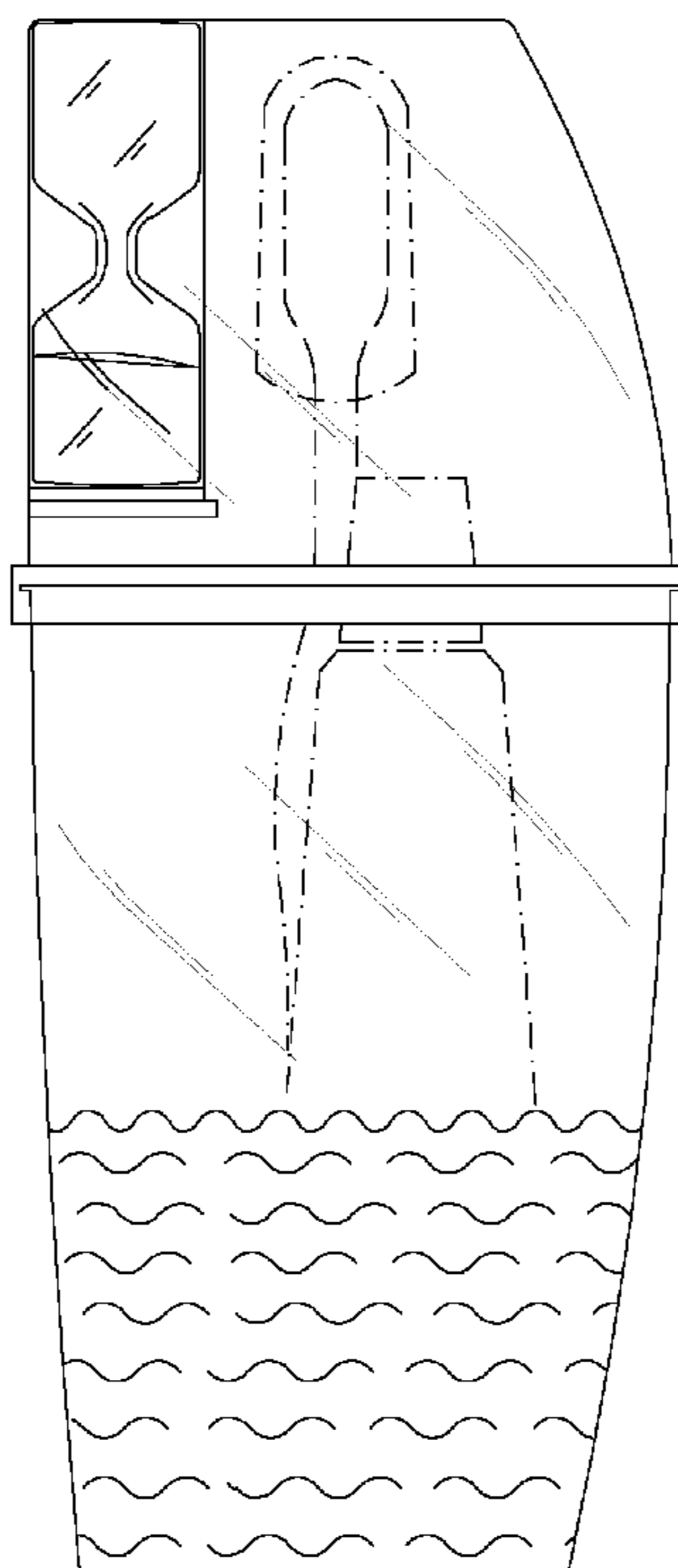
(22) Filed: **Jul. 24, 2013**
(51) **LOC (10) Cl.** **03-02**
(52) **U.S. Cl.**
USPC **D3/205**
(58) **Field of Classification Search**
USPC D3/201, 205, 206, 315-317, 294, 265,
D3/290, 295; 190/100, 124, 903; 206/38,
206/235, 581, 823; D19/163; 150/103
See application file for complete search history.

DESCRIPTION

FIG. 1 is a front view of an educational dental kit showing my new design;
FIG. 2 is a rear view thereof;
FIG. 3 is a left side view thereof;
FIG. 4 is a right side view thereof;
FIG. 5 is a top plan view thereof;
FIG. 6 is a bottom plan view thereof; and,
FIG. 7 is a perspective exploded view thereof.
The broken line showing of the toothbrush and toothpaste is included for the purpose of illustrating environment and forms no part of the claimed design.

(56) **References Cited**
U.S. PATENT DOCUMENTS
D195,772 S * 7/1963 Sanders D3/205
D378,016 S * 2/1997 Armbruster et al. D3/205

1 Claim, 6 Drawing Sheets



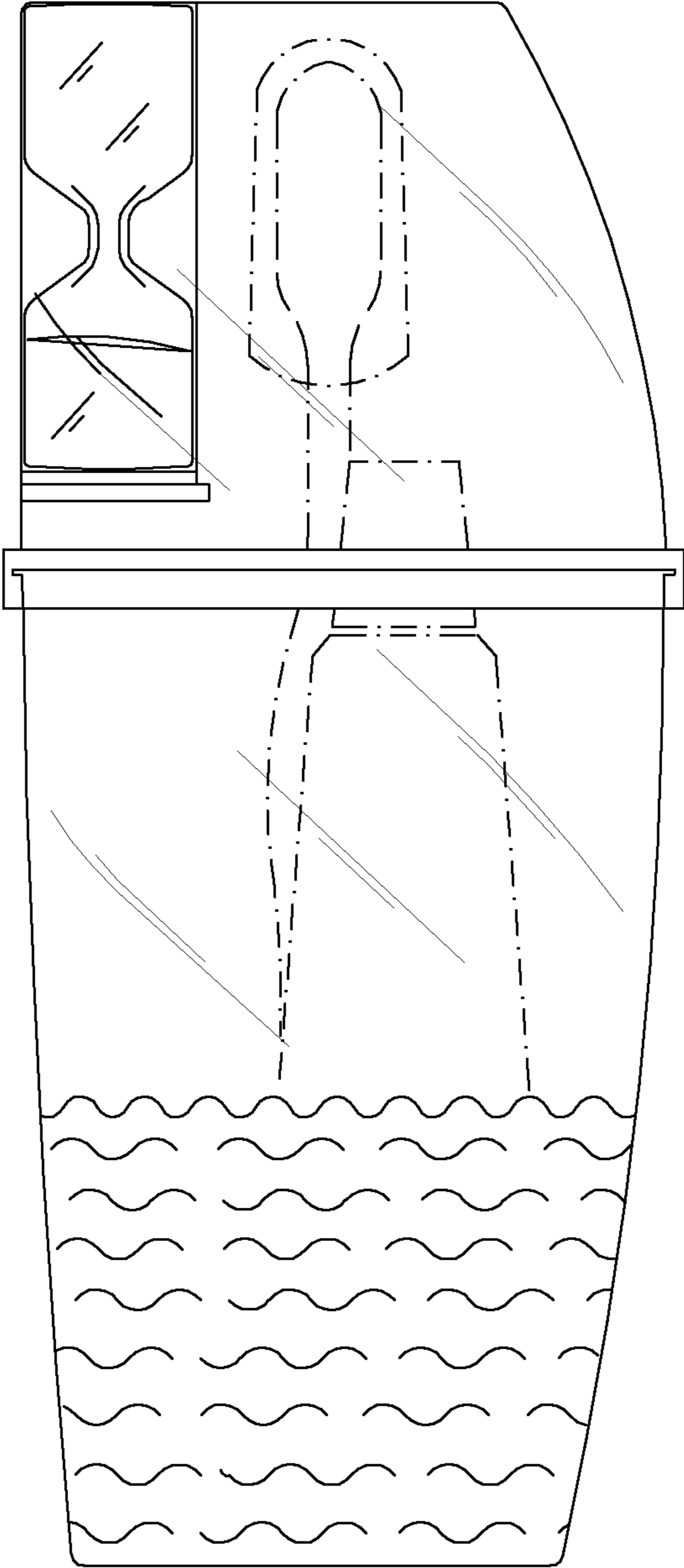


FIG. 1

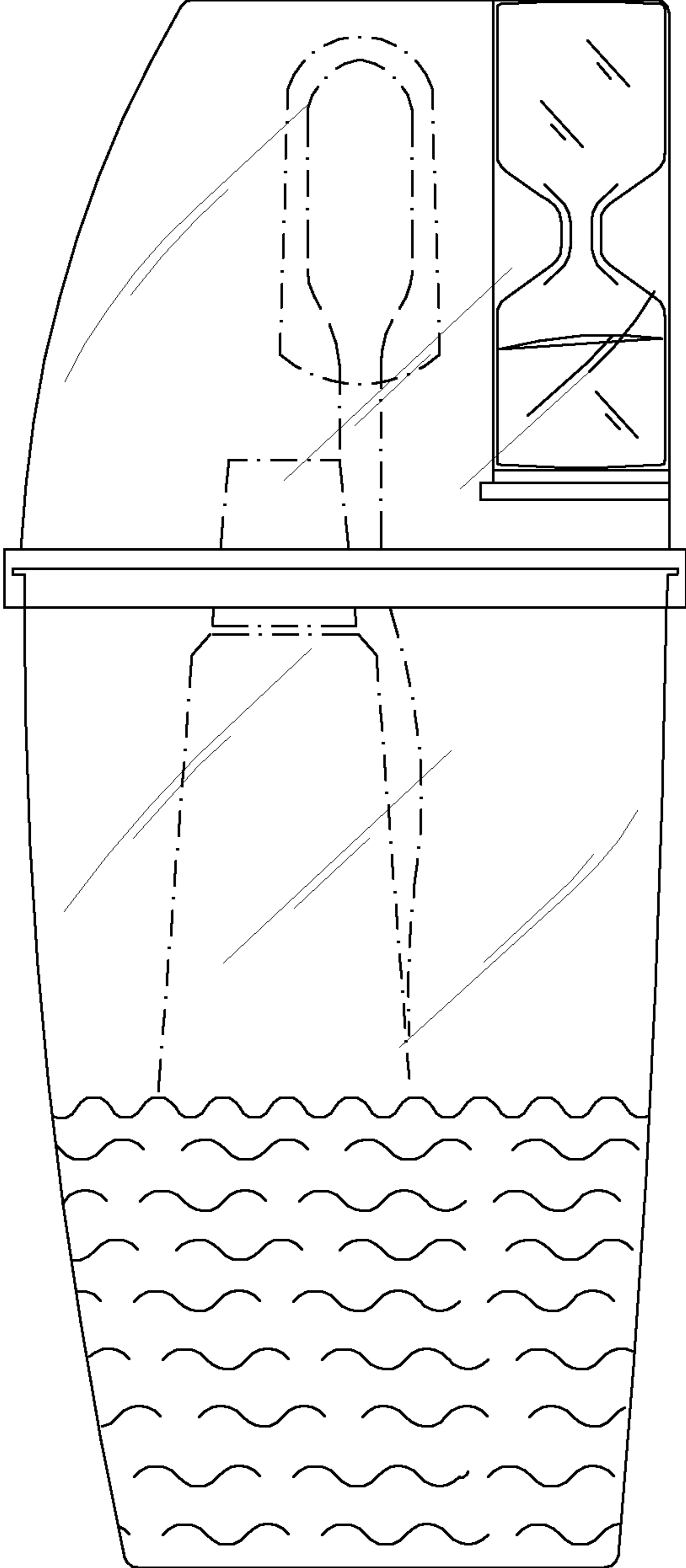


FIG. 2

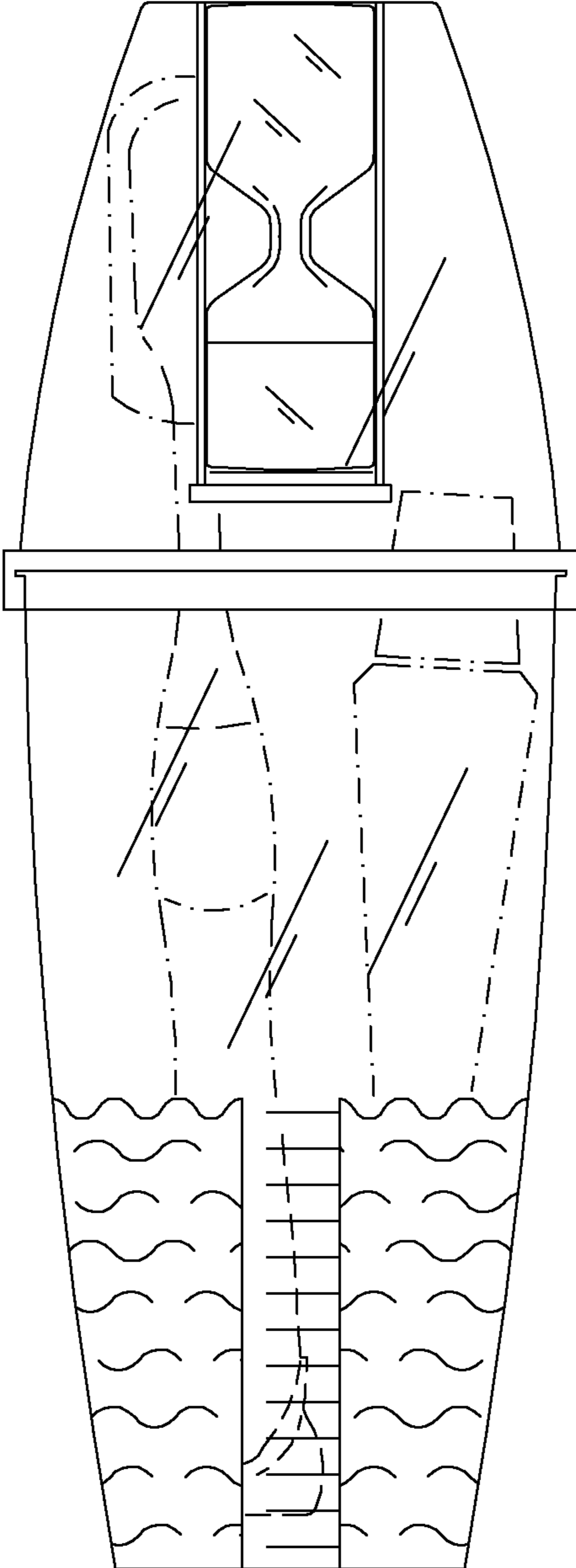


FIG. 3

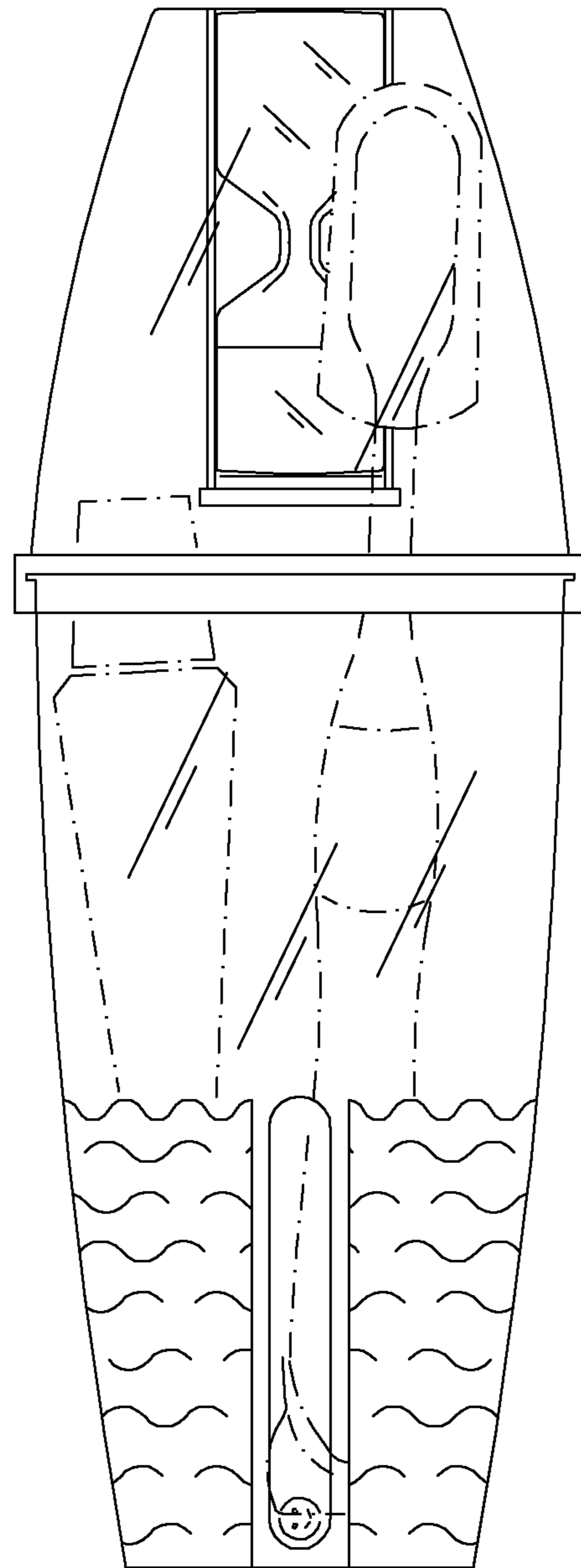


FIG. 4

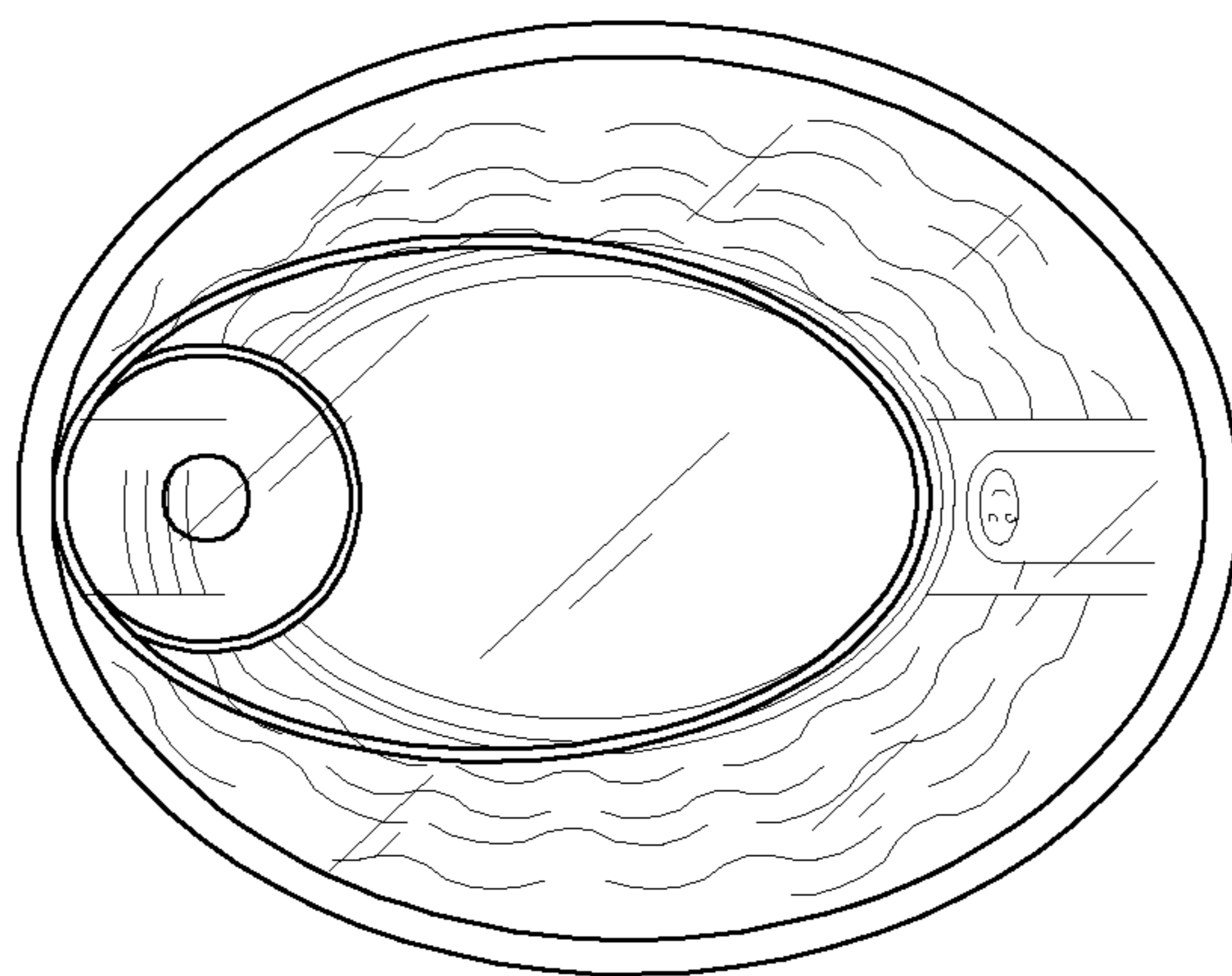


FIG. 5

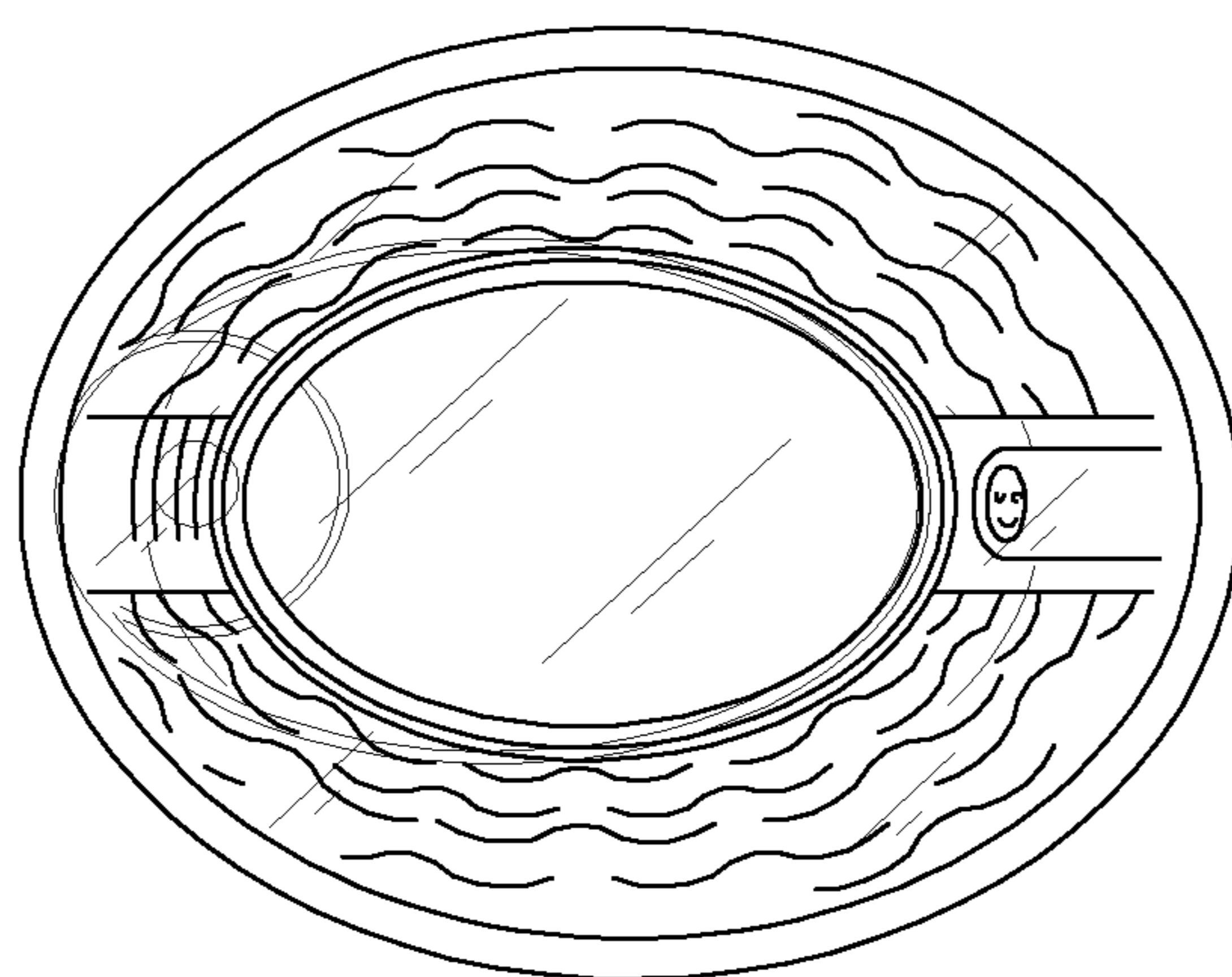


FIG. 6

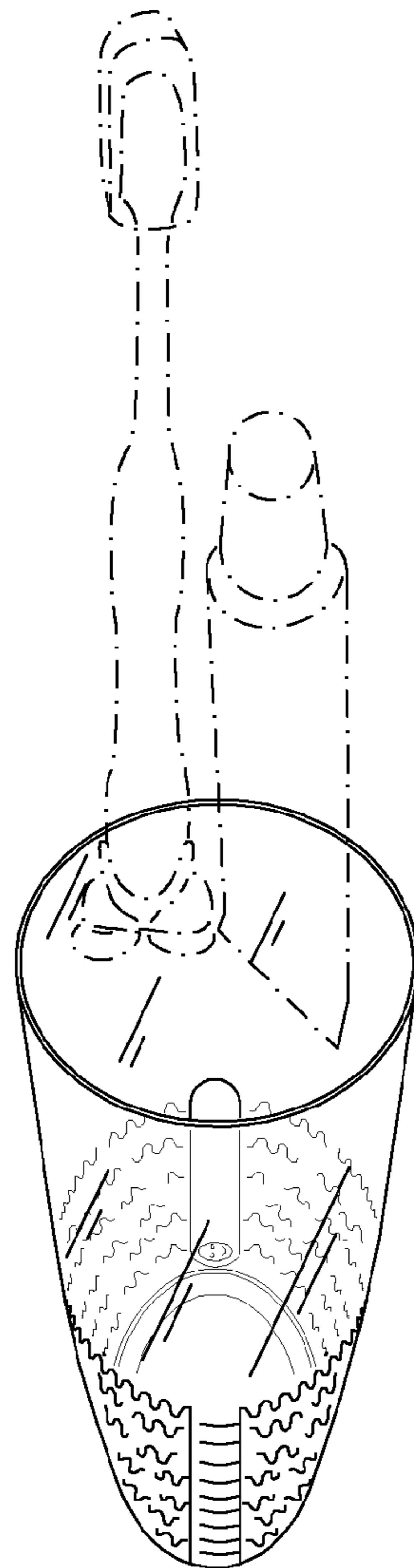
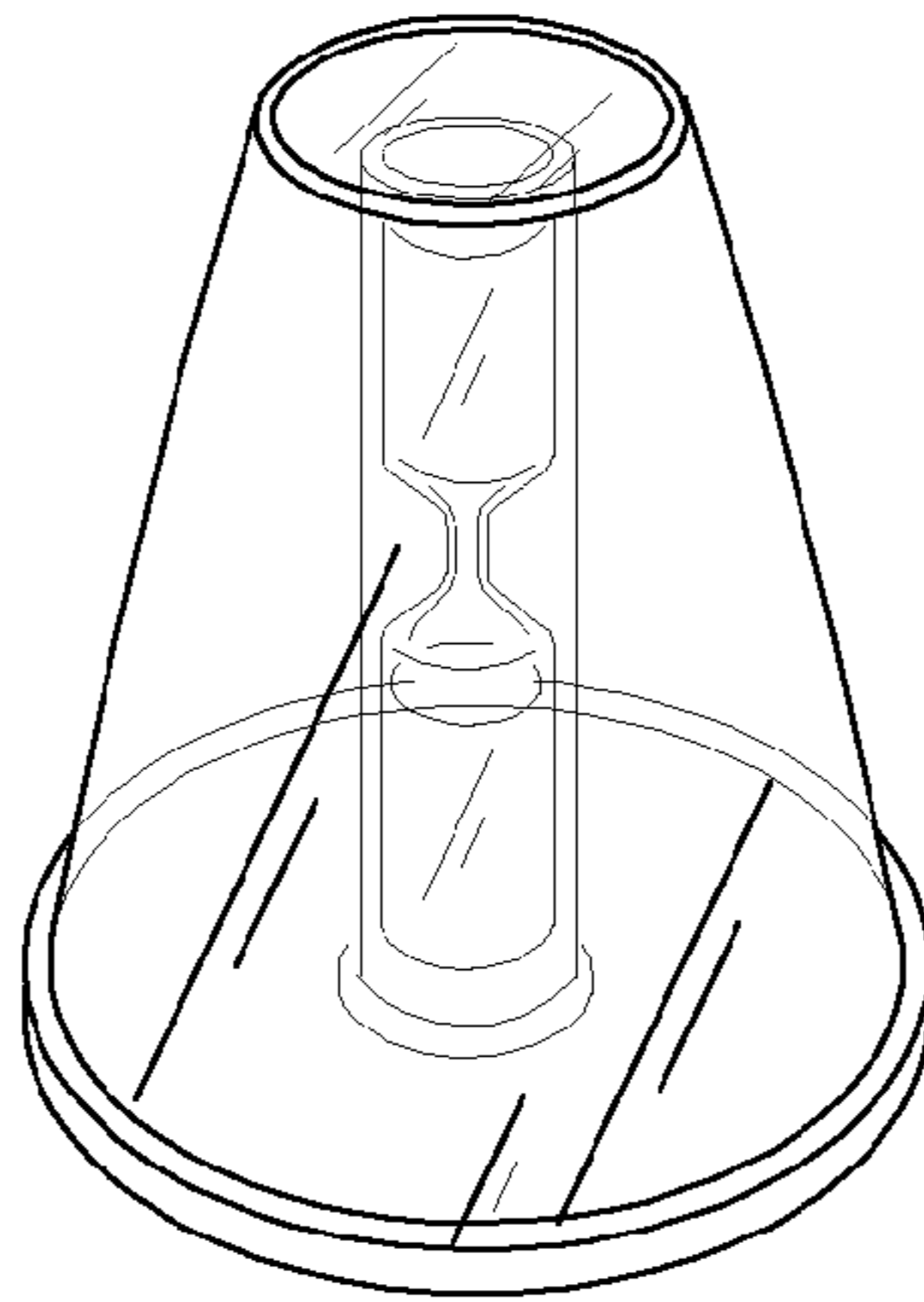


FIG. 7