



US00D746581S

(12) **United States Design Patent**
Townsend

(10) **Patent No.:** **US D746,581 S**
(45) **Date of Patent:** **** Jan. 5, 2016**

(54) **OPEN TOE SOCK**

(71) Applicant: **Audrea L. Townsend**, Memphis, TN
(US)

(72) Inventor: **Audrea L. Townsend**, Memphis, TN
(US)

(**) Term: **14 Years**

(21) Appl. No.: **29/486,235**

(22) Filed: **Mar. 27, 2014**

(51) **LOC (10) Cl.** **02-04**

(52) **U.S. Cl.**
USPC **D2/994**

(58) **Field of Classification Search**
USPC D2/980-994; D24/192; 2/239-242
CPC D04B 1/26; D04B 1/265; D04B 1/02;
D04B 1/108; D04B 1/12; D04B 1/18; D04B
9/56; D04B 15/48; D04B 15/50; D04B 21/18;
D04B 9/52; A61F 13/08; A61F 13/064;
A61F 13/066; A61F 13/067; A41B 11/003;
A41B 11/02; A41B 11/00
See application file for complete search history.

(56) **References Cited**

U.S. PATENT DOCUMENTS

2,629,996 A 3/1953 Hamilton
5,054,129 A 10/1991 Baehr
5,867,838 A * 2/1999 Corry 2/239

5,906,007 A * 5/1999 Roberts 2/239
D414,600 S * 10/1999 Asakura D2/980
D498,916 S * 11/2004 Lowell D2/980
7,107,626 B1 9/2006 Andrews
D548,951 S * 8/2007 Paulin D2/980
D581,654 S * 12/2008 Miliotis D2/980
7,681,254 B2 * 3/2010 Lambertz 2/239
D626,323 S * 11/2010 Matthews D2/980
D655,908 S * 3/2012 Eakin D2/980
2009/0178178 A1 * 7/2009 Nemcik 2/239
2014/0298569 A1 * 10/2014 Lee 2/239

* cited by examiner

Primary Examiner — George D Kirschbaum

Assistant Examiner — Jennifer Watkins

(74) *Attorney, Agent, or Firm* — Crossley Patent Law

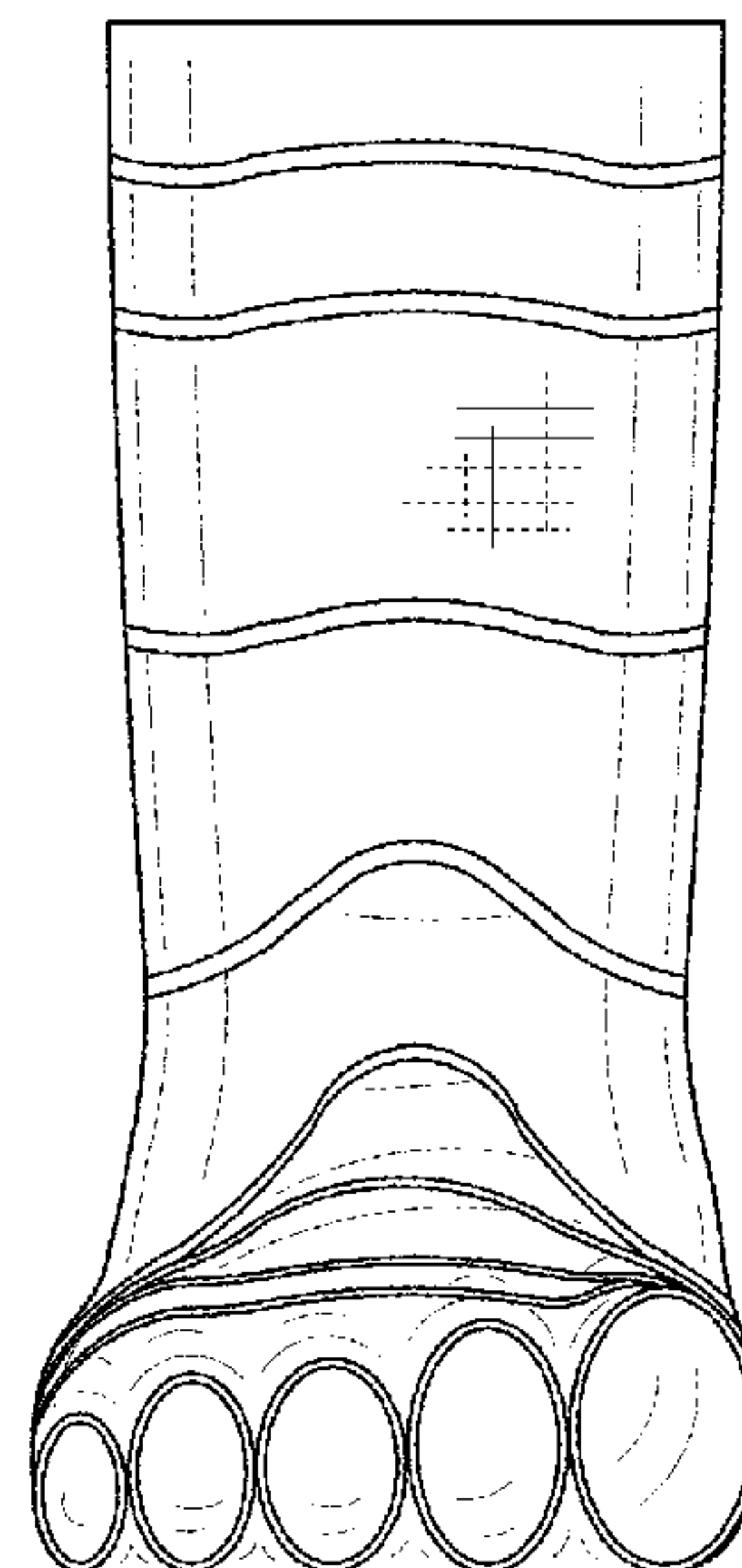
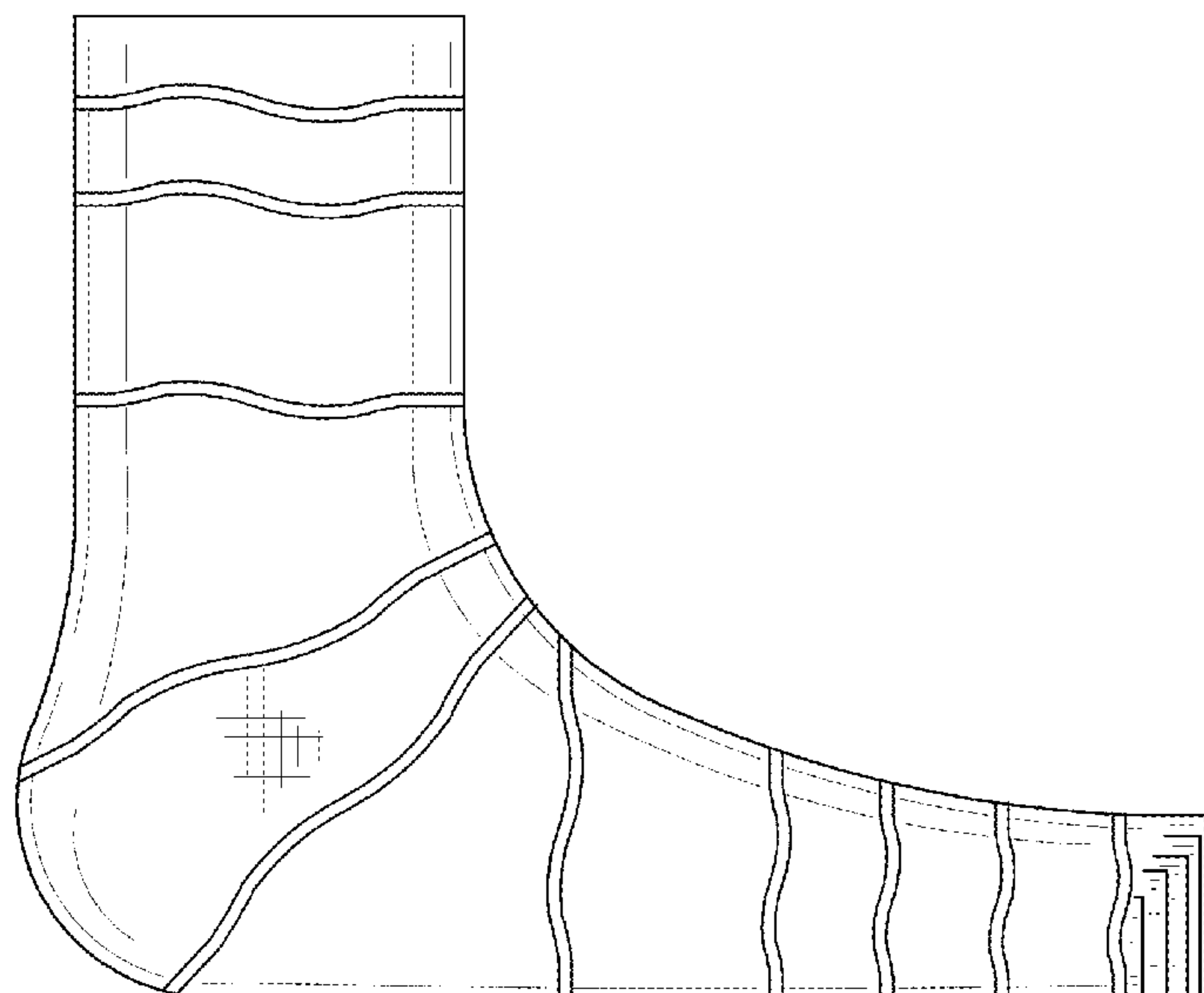
(57) **CLAIM**

The ornamental design for an open toe sock, as shown and described.

DESCRIPTION

FIG. 1 is a right elevation view of an open toe sock showing my new design;
FIG. 2 is a left elevation view thereof;
FIG. 3 is a rear elevation view thereof;
FIG. 4 is a front elevation view thereof;
FIG. 5 is a top plan view thereof; and,
FIG. 6 is a bottom plan view thereof.

1 Claim, 4 Drawing Sheets



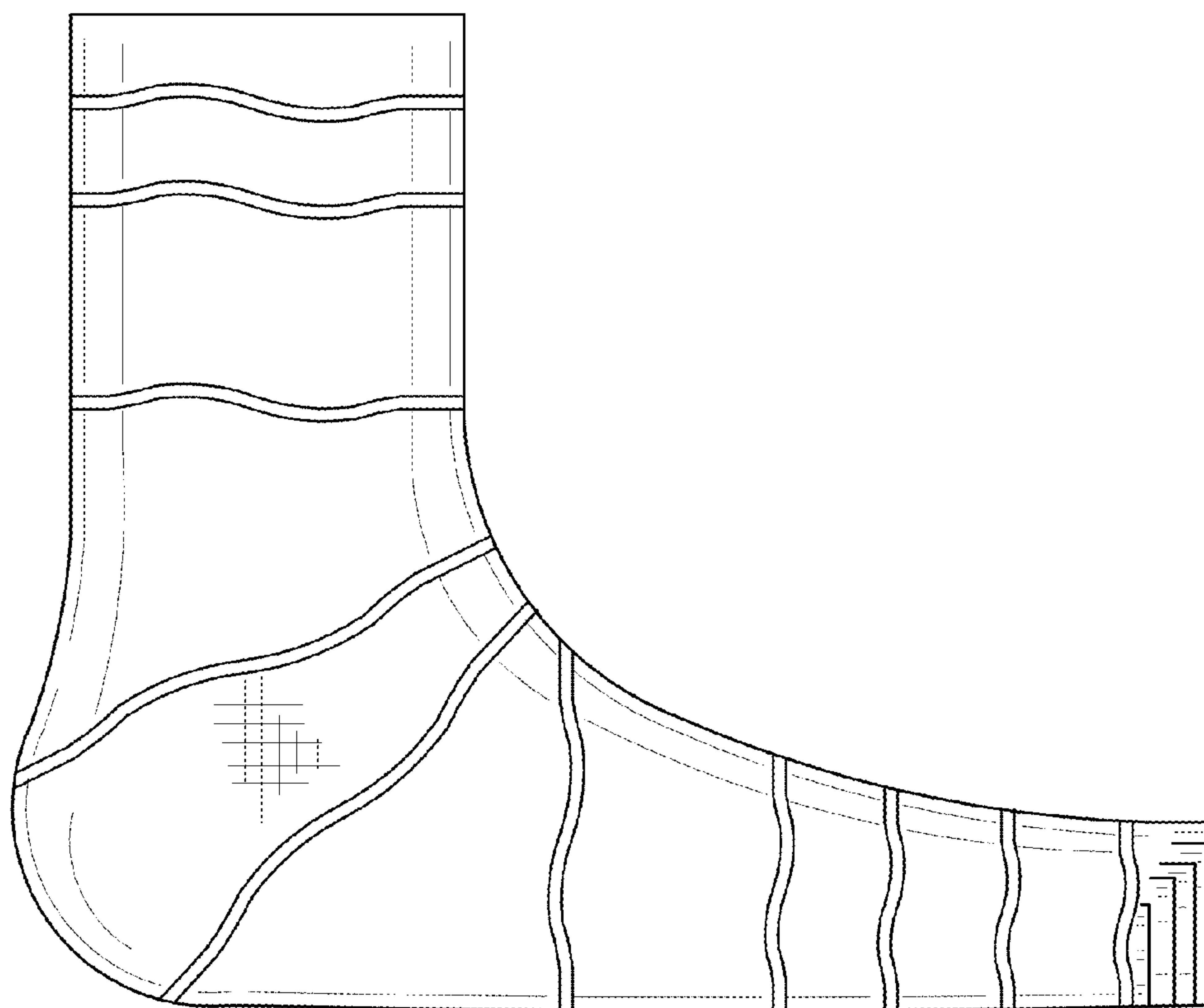


FIG. 1

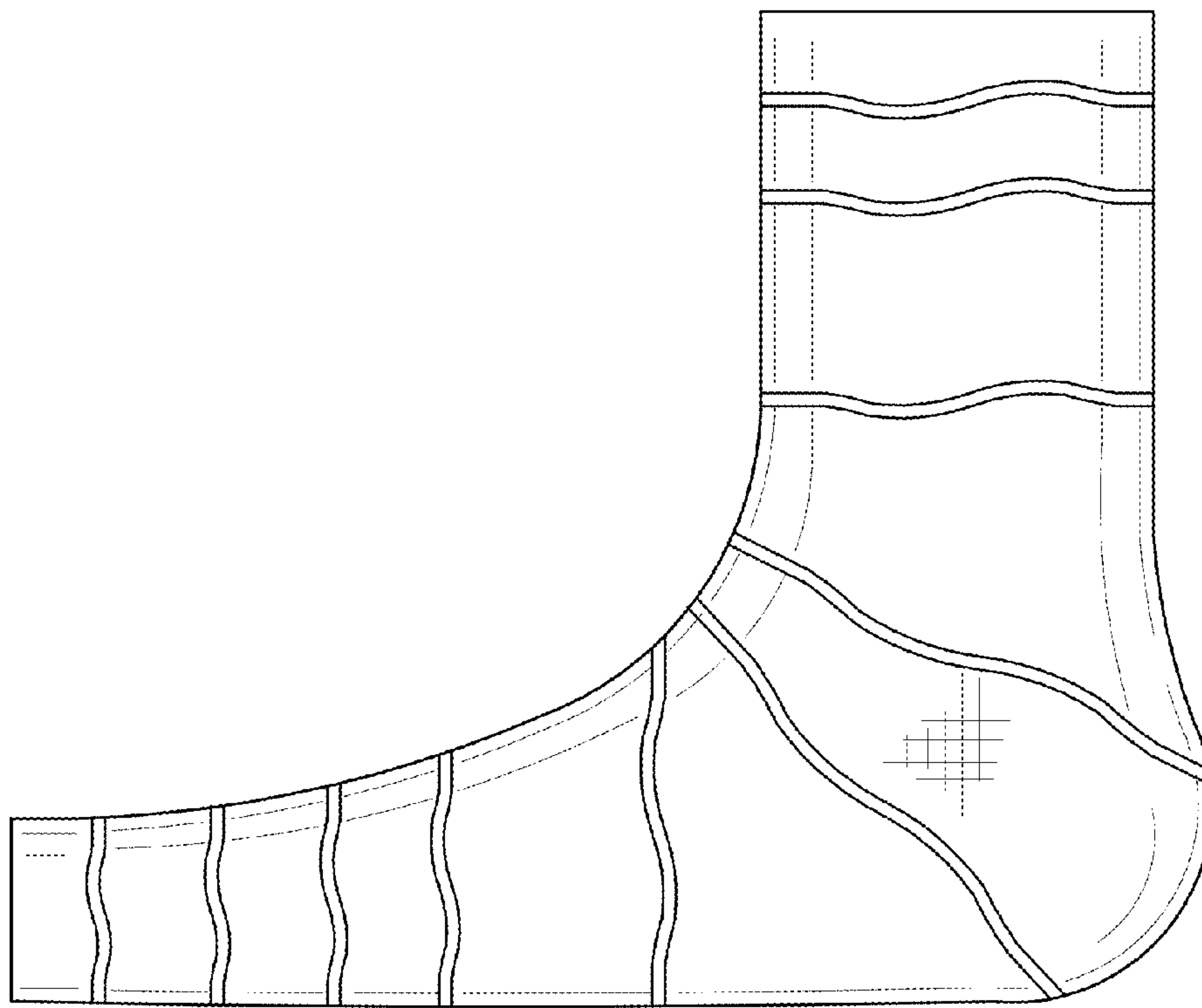


FIG. 2

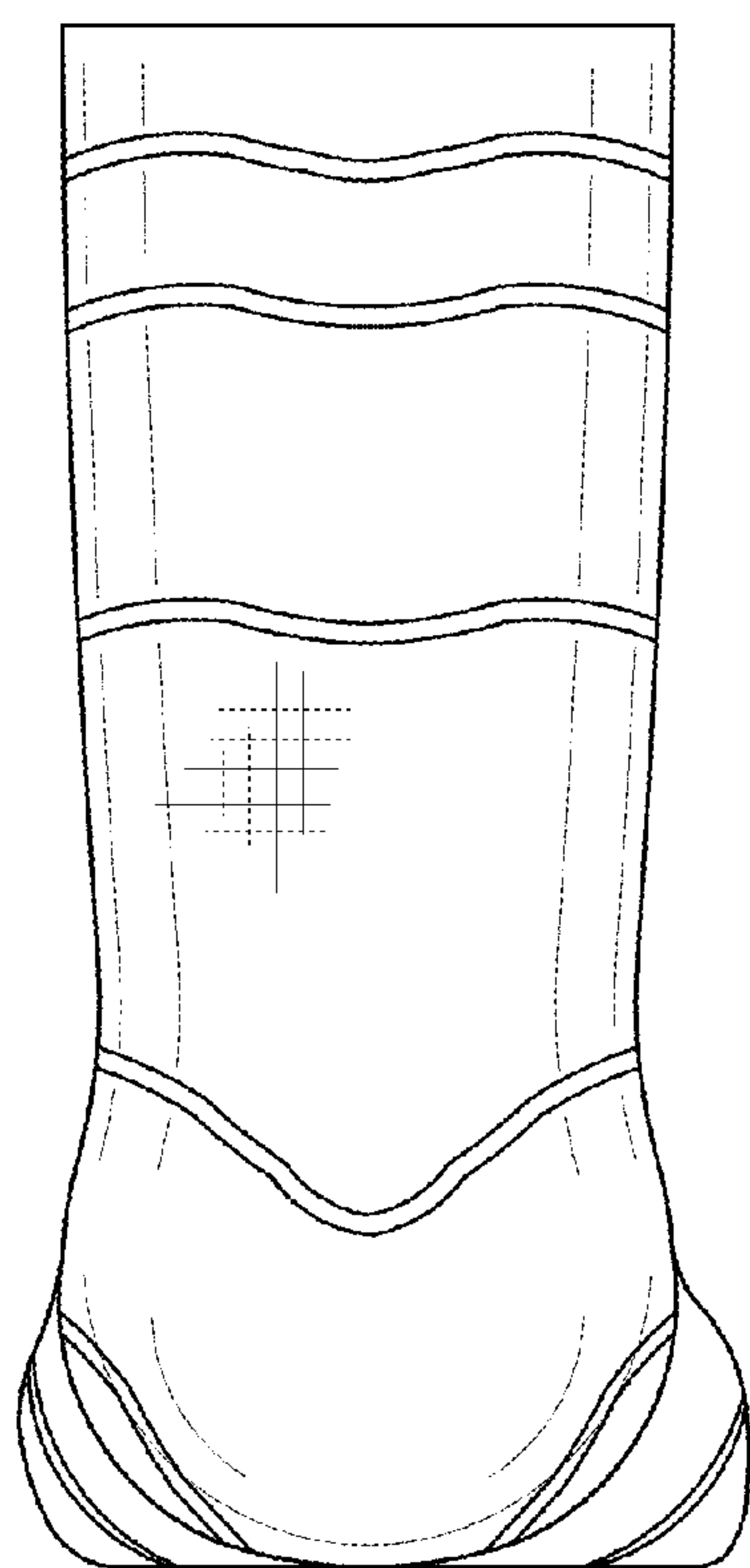


FIG. 3

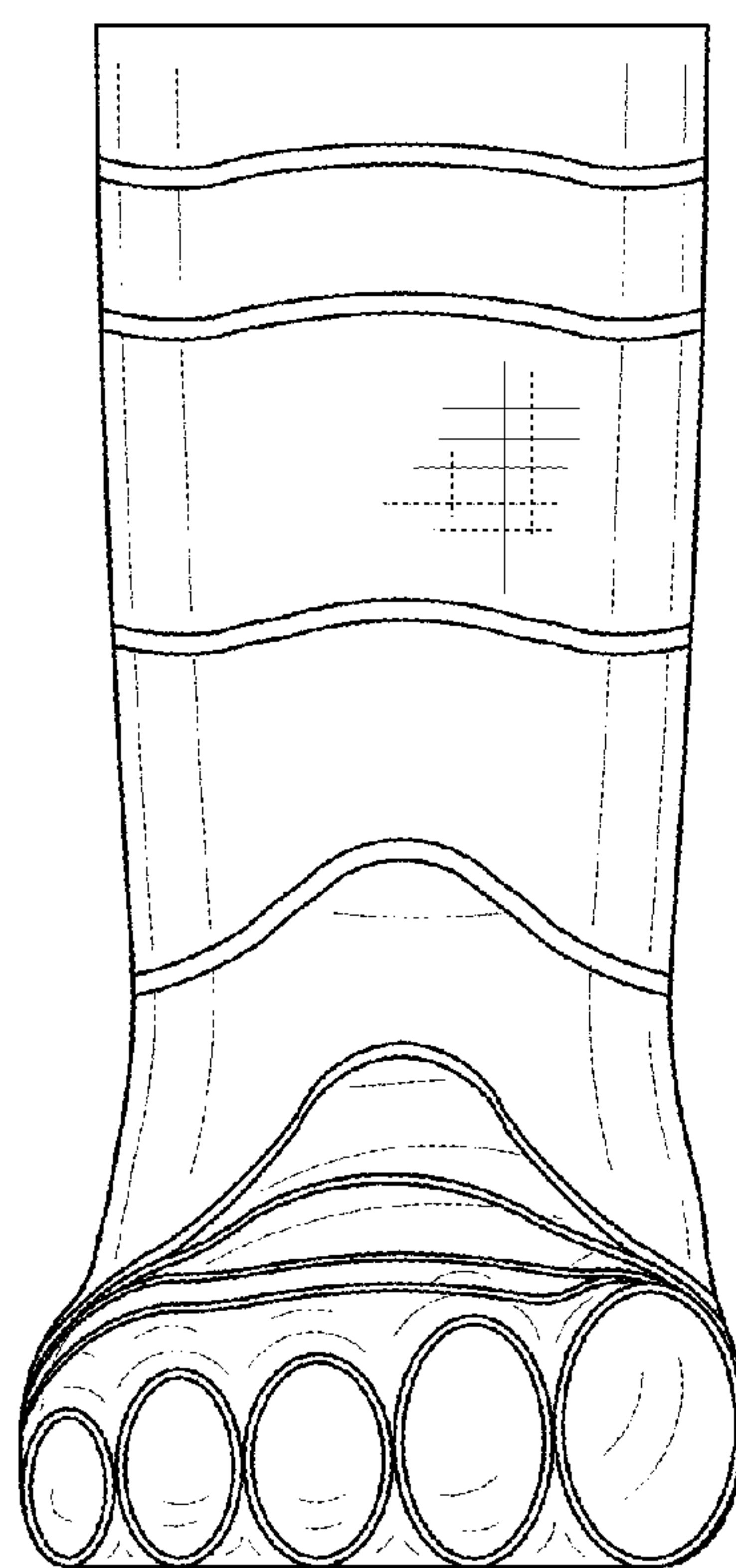


FIG. 4

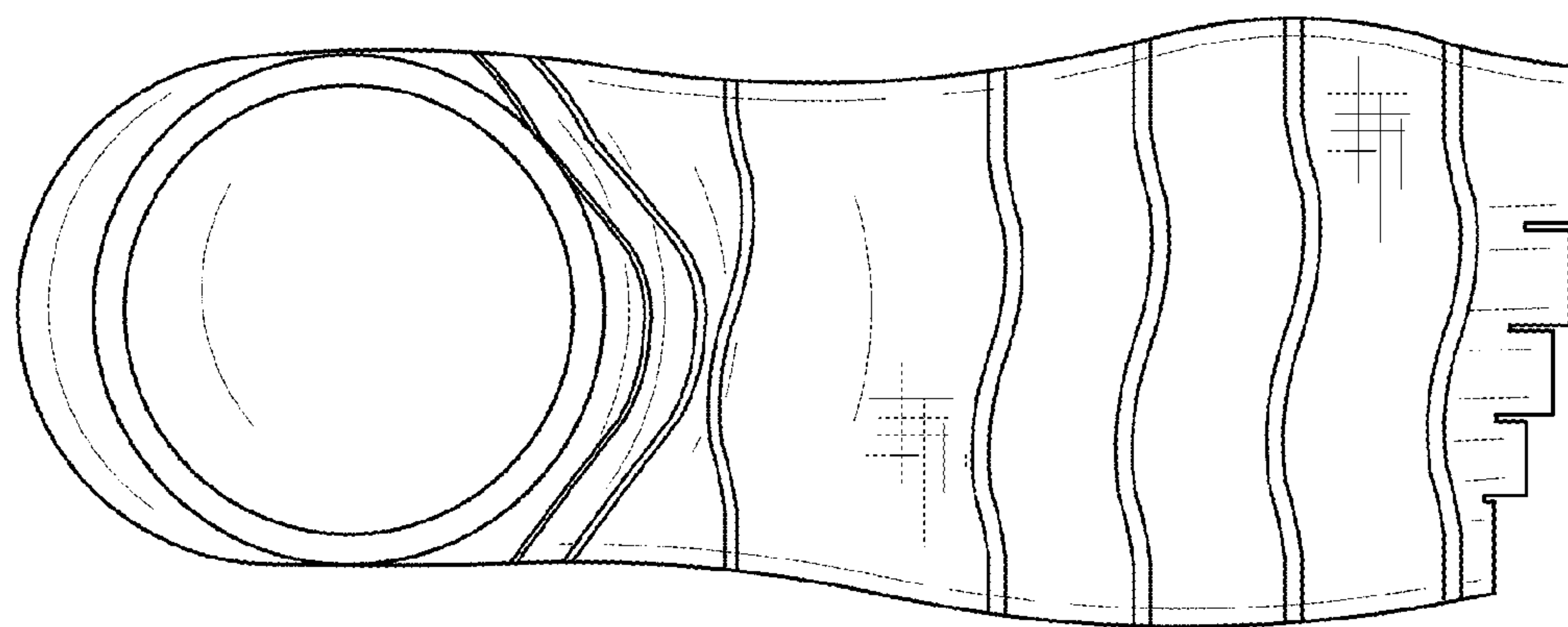


FIG. 5

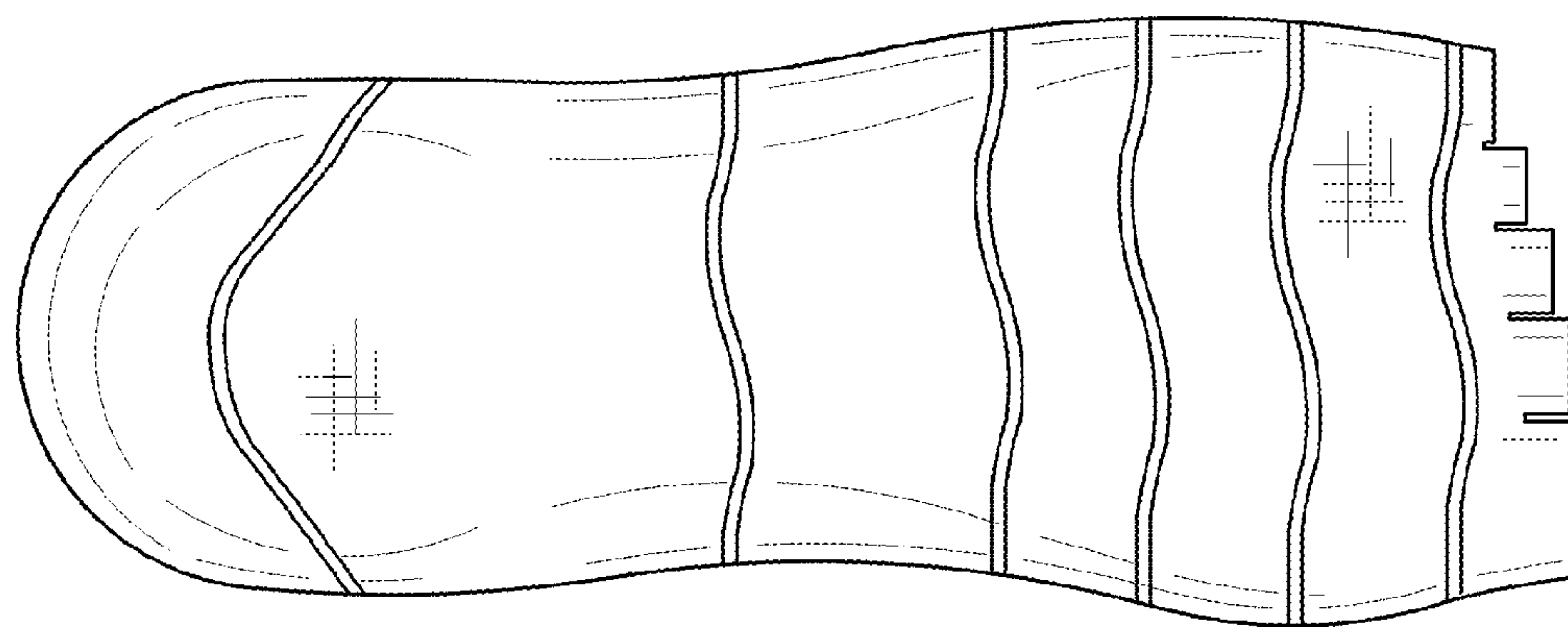


FIG. 6