



US00D746550S

(12) **United States Design Patent**
Roberts et al.

(10) **Patent No.:** **US D746,550 S**
(45) **Date of Patent:** **** Jan. 5, 2016**

(54) **SKI JACKET**

(71) Applicant: **Gerbings LLC**, Stoneville, NC (US)

(72) Inventors: **Cupid Roberts**, Stoneville, NC (US);
Susan Kiefer, Greensboro, NC (US)

(73) Assignee: **Gerbings, LLC**, Stoneville, NC (US)

(**) Term: **14 Years**

(21) Appl. No.: **29/486,267**

(22) Filed: **Mar. 27, 2014**

Related U.S. Application Data

(62) Division of application No. 29/458,712, filed on Jun. 21, 2013, now Pat. No. Des. 704,924.

(51) **LOC (10) Cl.** **02-02**

(52) **U.S. Cl.**
USPC **D2/839**

(58) **Field of Classification Search**
USPC D2/731, 750, 753, 828-831, 833, 839
See application file for complete search history.

(56) **References Cited**

U.S. PATENT DOCUMENTS

D306,511 S *	3/1990	Jones	D2/839
D479,902 S	9/2003	Brown		
D555,878 S *	11/2007	Bay	D2/828
D588,783 S *	3/2009	Olstorn	D2/828
D622,937 S	9/2010	Bay		
D638,201 S	5/2011	Gosse		
D654,664 S	2/2012	Evans et al.		
8,341,766 B2	1/2013	Rodriguez et al.		
D679,072 S	4/2013	Abbevik et al.		
D685,158 S	7/2013	Lambertz		
D698,524 S *	2/2014	Roberts	D2/839

D698,525 S *	2/2014	Roberts	D2/839
D698,527 S *	2/2014	Roberts	D2/839
D698,528 S *	2/2014	Roberts	D2/839
D704,924 S *	5/2014	Roberts	D2/831
2002/0142112 A1	10/2002	Tarrell		
2004/0055069 A1	3/2004	Clarke Fayle et al.		
2008/0184454 A1	8/2008	Collier		
2009/0249529 A1 *	10/2009	Rodriguez	A41D 3/00 2/97
2013/0019379 A1	1/2013	Shadid		
2013/0042384 A1	2/2013	Mitchell et al.		

* cited by examiner

Primary Examiner — Rashida Johnson

(74) *Attorney, Agent, or Firm* — Womble Carlyle Sandridge & Rice LLP

(57) **CLAIM**

The ornamental design for a ski jacket, as shown and described.

DESCRIPTION

FIG. 1 is a front perspective view of a ski jacket showing our new design;
FIG. 2 is a front elevational view the ski jacket from FIG. 1;
FIG. 3 is a rear elevational view of the ski jacket from FIGS. 1-2;
FIG. 4 is a left side elevational view of the ski jacket from FIGS. 1-3;
FIG. 5 is a right side elevational view of the ski jacket from FIGS. 1-4;
FIG. 6 is a top plan view of the ski jacket from FIGS. 1-5; and,
FIG. 7 is a bottom plan view of the ski jacket from FIGS. 1-6.
The broken lines are for the purposes of illustrating environment only. None of the broken lines form part of the claimed design.

1 Claim, 5 Drawing Sheets

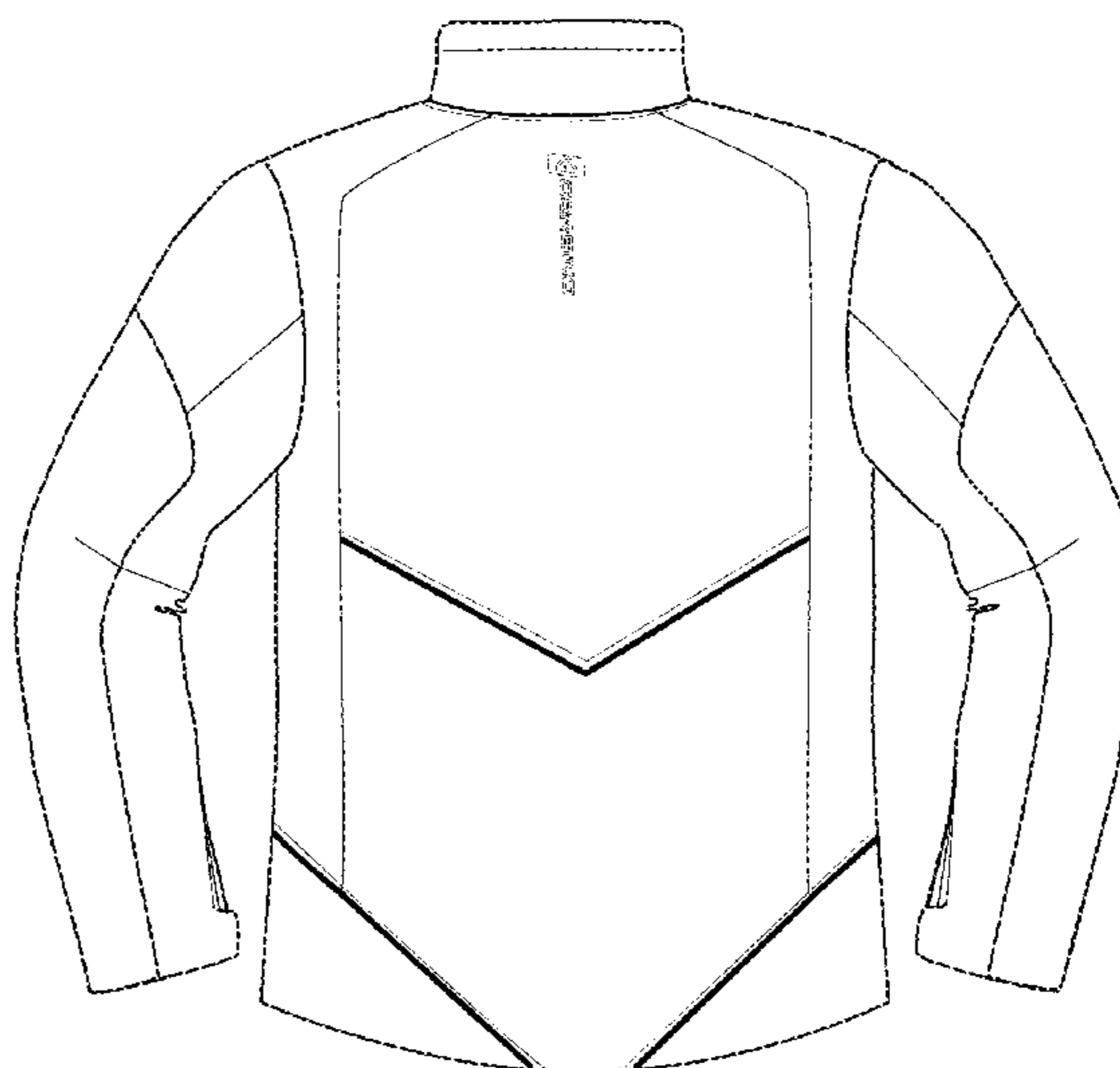




Figure 1



Figure 2



Figure 3

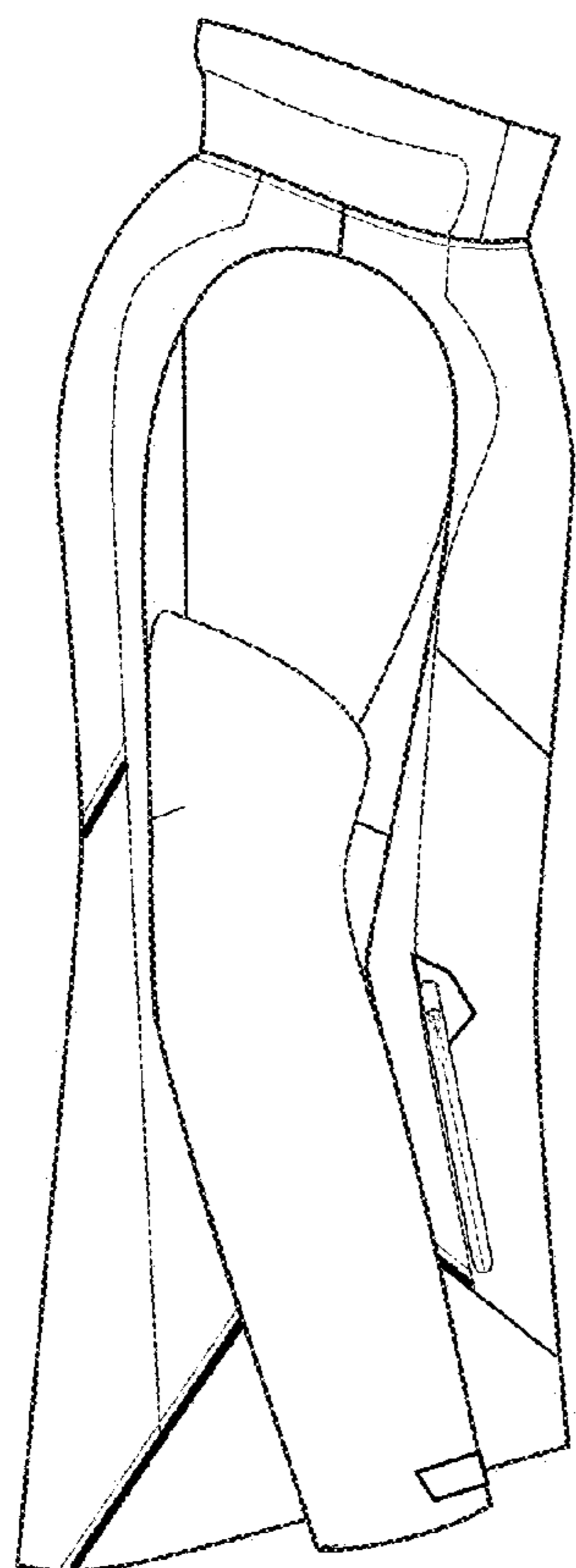


Figure 4

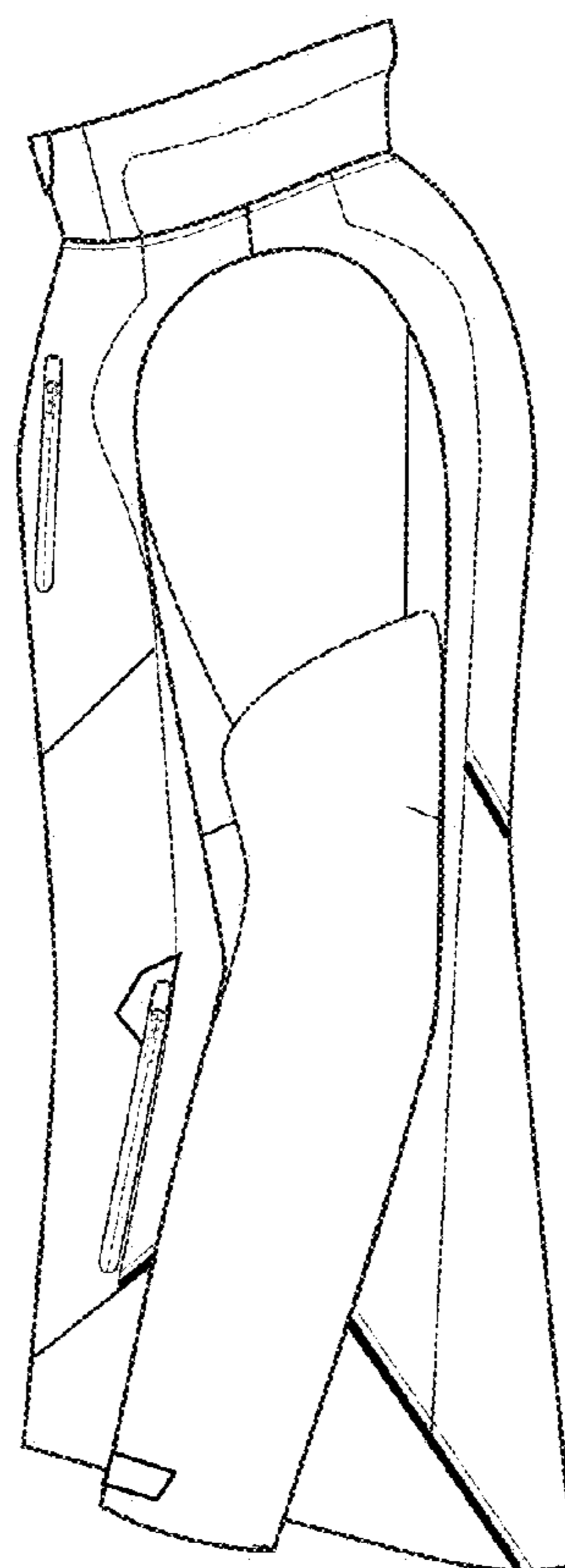


Figure 5

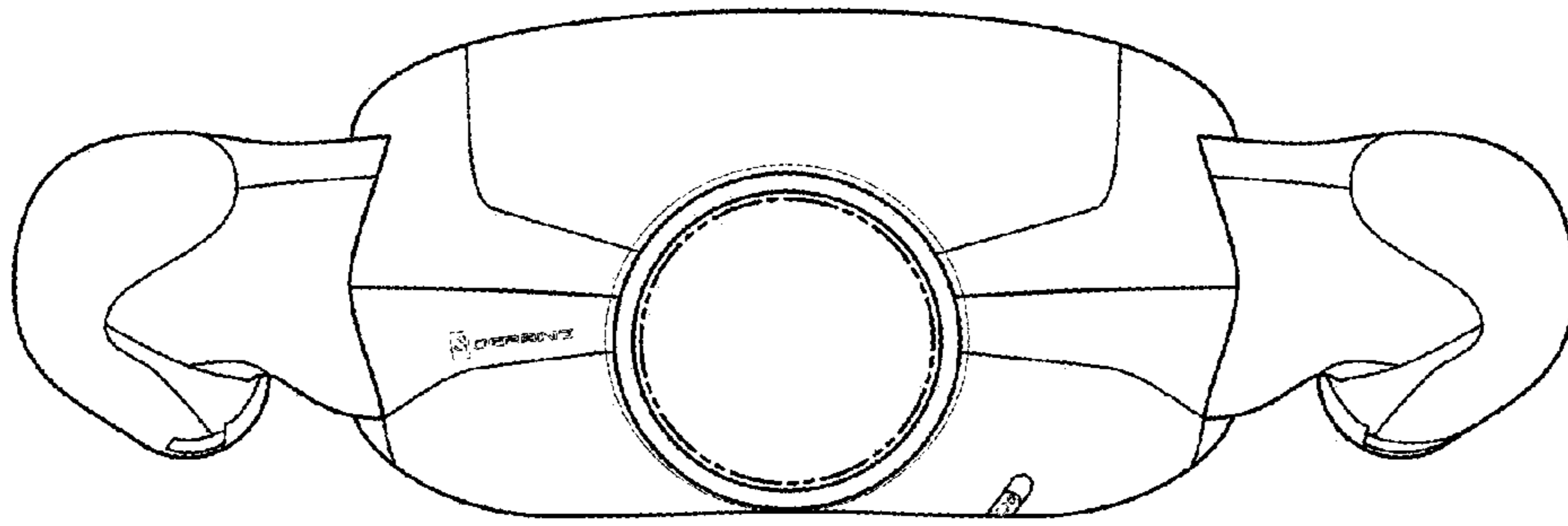


Figure 6

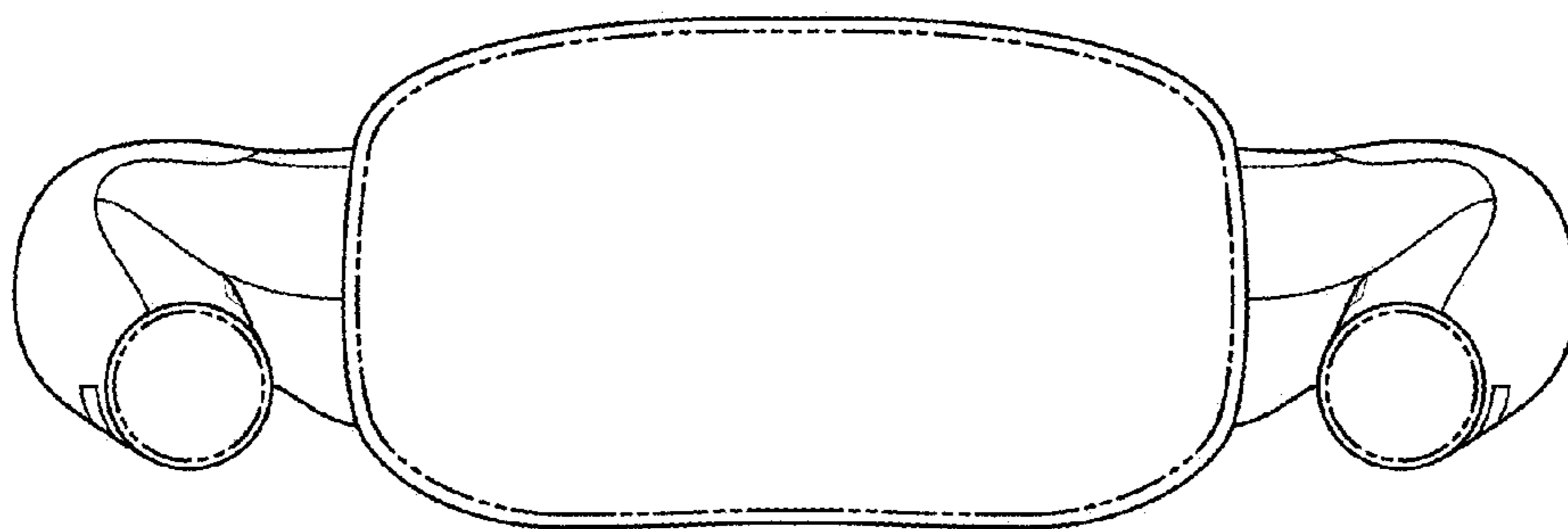


Figure 7