



US00D746541S

(12) **United States Design Patent**
Sambashivan

(10) **Patent No.:** **US D746,541 S**

(45) **Date of Patent:** **** Jan. 5, 2016**

(54) **SNACK FOOD PRODUCT**

(71) Applicant: **Frito-Lay North America, Inc.**, Plano, TX (US)

(72) Inventor: **Sidharth Sambashivan**, Dallas, TX (US)

(73) Assignee: **Frito-Lay North America, Inc.**, Plano, TX (US)

(**) Term: **14 Years**

(21) Appl. No.: **29/490,315**

(22) Filed: **May 8, 2014**

(51) **LOC (10) Cl.** **01-01**

(52) **U.S. Cl.**
USPC **D1/128; D1/120**

(58) **Field of Classification Search**
USPC D1/100-130, 199; 426/5, 76, 87, 92, 426/94, 95, 99, 101, 103, 104, 108, 134, 426/138-139, 143, 144, 279, 282, 283, 391, 426/514, 549, 559, 560, 660, 808; D9/439; 521/50; 251/364; 220/574; D8/83; D21/487

See application file for complete search history.

(56) **References Cited**

U.S. PATENT DOCUMENTS

D204,889	S	*	5/1966	Gingher	D8/377
3,606,230	A	*	9/1971	Hargreaves	248/346.01
3,648,920	A	*	3/1972	Stump	229/199
3,917,194	A	*	11/1975	Muller	244/46
D311,626	S	*	10/1990	Starck	D1/126
D333,900	S	*	3/1993	Kinnamon et al.	D34/27
D343,312	S	*	1/1994	Burdick et al.	D6/495
5,378,151	A	*	1/1995	Lukase et al.	433/150
5,531,043	A	*	7/1996	Shiboh	43/131

D379,705	S	*	6/1997	Delmerico et al.	D34/27
5,809,734	A	*	9/1998	Turner	52/843
D399,400	S	*	10/1998	Weber	D8/70
5,899,210	A	*	5/1999	Letherby et al.	132/76.4
6,099,203	A	*	8/2000	Landes	404/10
6,178,798	B1	*	1/2001	Kowalski et al.	72/200
D439,838	S	*	4/2001	Sagel et al.	D9/430
D503,645	S	*	4/2005	Wirth et al.	D10/114.9
D532,583	S	*	11/2006	Townsend et al.	D1/122
D558,444	S	*	1/2008	Ma	D3/6
D576,721	S	*	9/2008	Nishio et al.	D23/393
D585,177	S	*	1/2009	Wylie	D1/125
D586,454	S	*	2/2009	Nishio et al.	D23/393
D603,241	S	*	11/2009	Pearce	D8/107
D656,648	S	*	3/2012	Tompkin	D26/46
D658,847	S	*	5/2012	Wylie	D1/199
2004/0154525	A1	*	8/2004	Wirth et al.	116/1

* cited by examiner

Primary Examiner — Deanna L Pratt

Assistant Examiner — Katie Mroczka

(74) *Attorney, Agent, or Firm* — Colin P. Cahoon; Celina M. Orr; Carstens & Cahoon, LLP

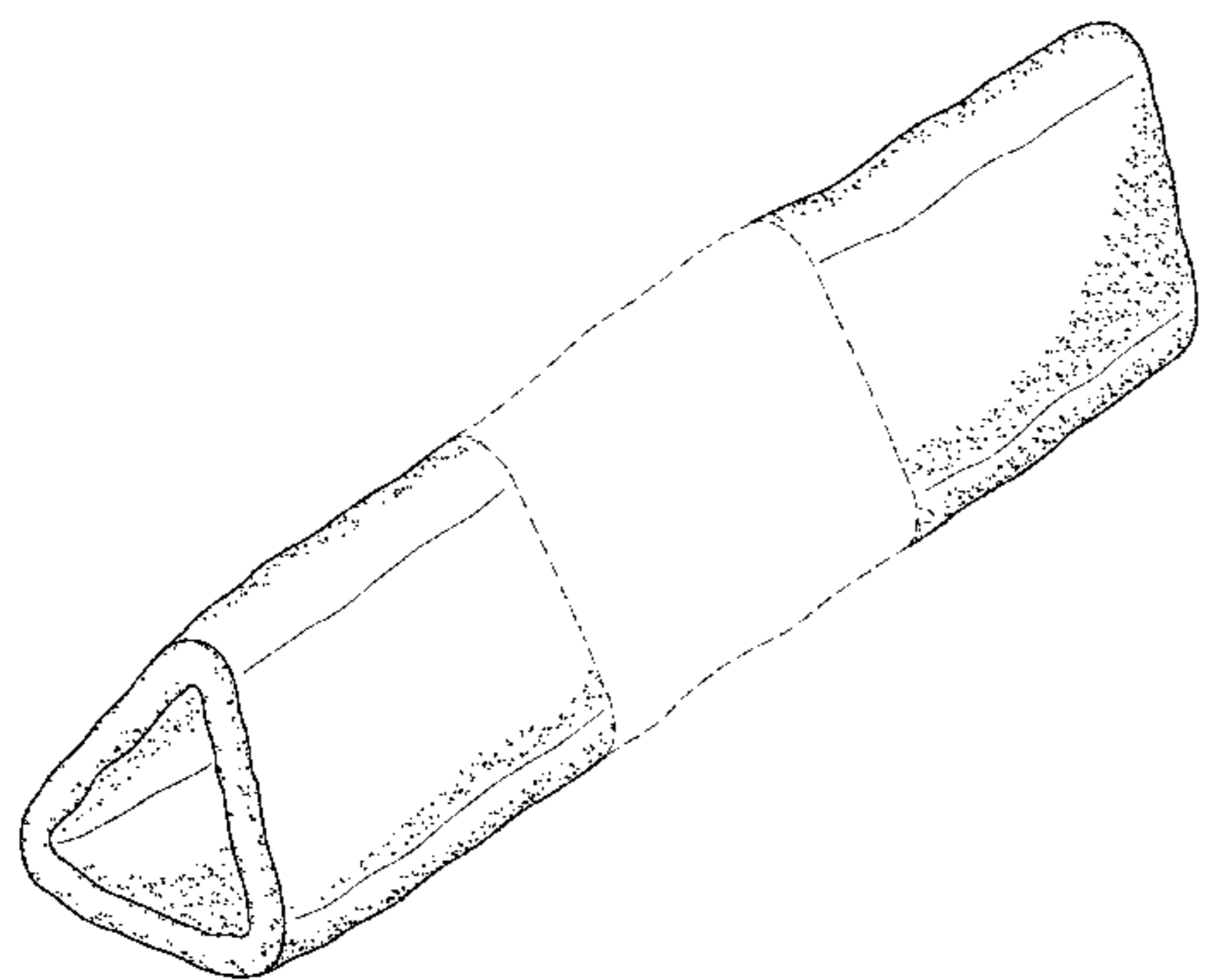
(57) **CLAIM**

The ornamental design for a snack food product, as shown and described.

DESCRIPTION

FIG. 1 is a perspective view of the snack food product; FIG. 2 is a front view of the snack food product; FIG. 3 is a back view of the snack food product; FIG. 4 is a right side view of the snack food product; FIG. 5 is a left side view of the snack food product; FIG. 6 is a top view of the snack food product; and, FIG. 7 is a bottom view of the snack food product. The broken lines which define the bounds of the claimed design form no part thereof.

1 Claim, 2 Drawing Sheets



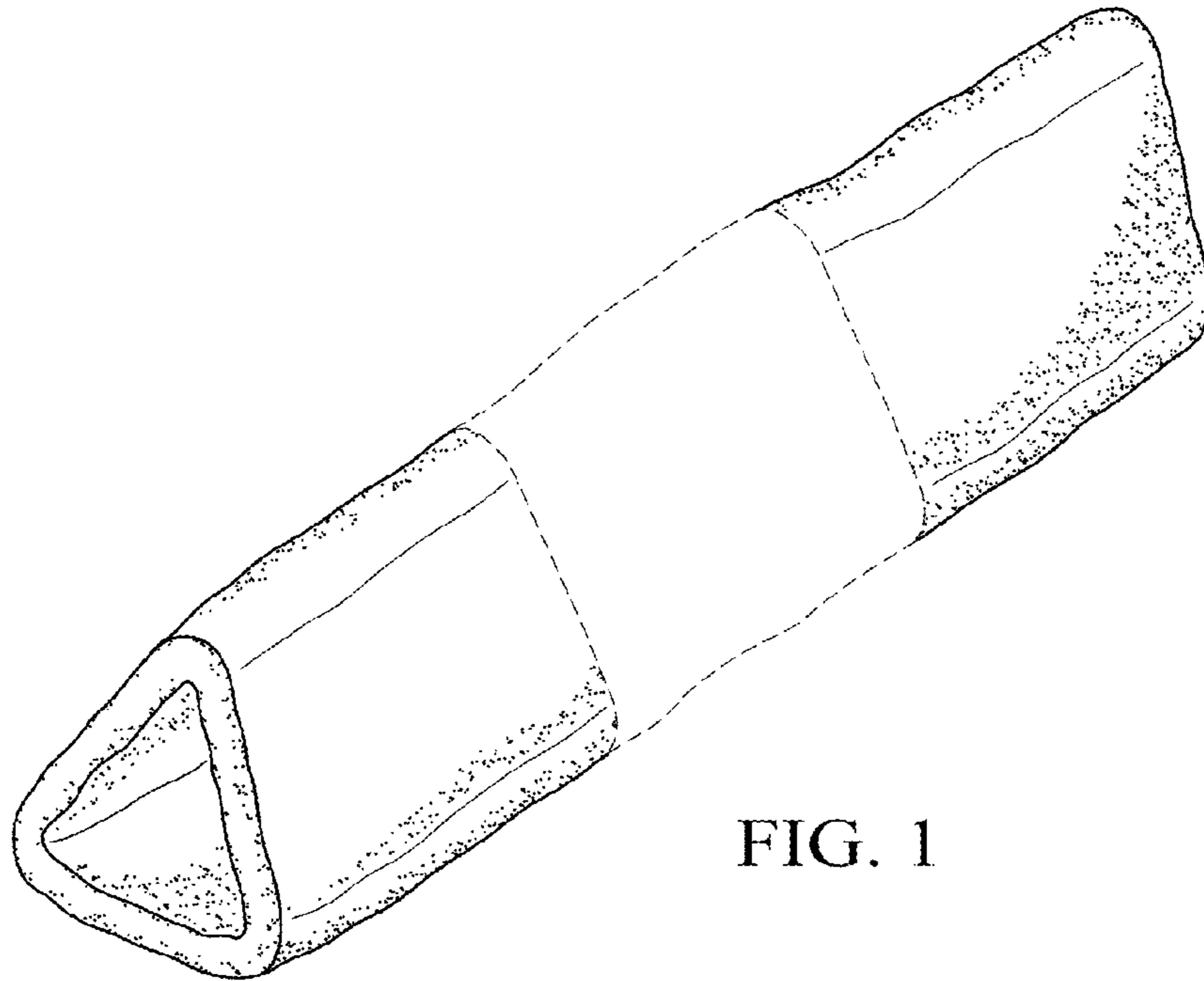


FIG. 1

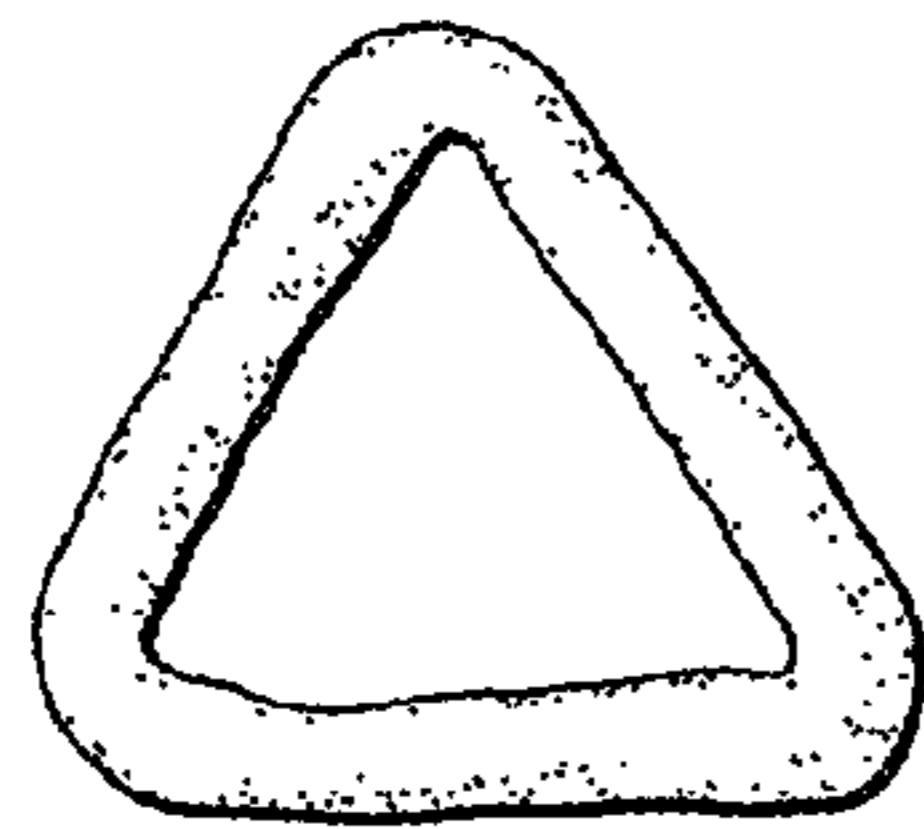


FIG. 2

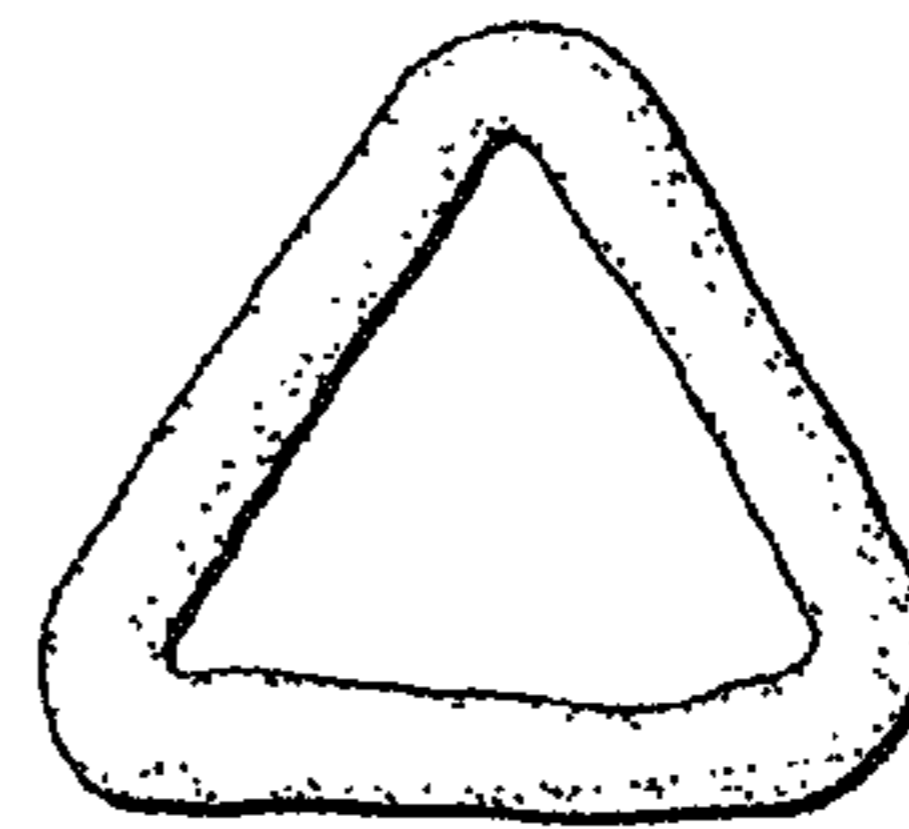


FIG. 3

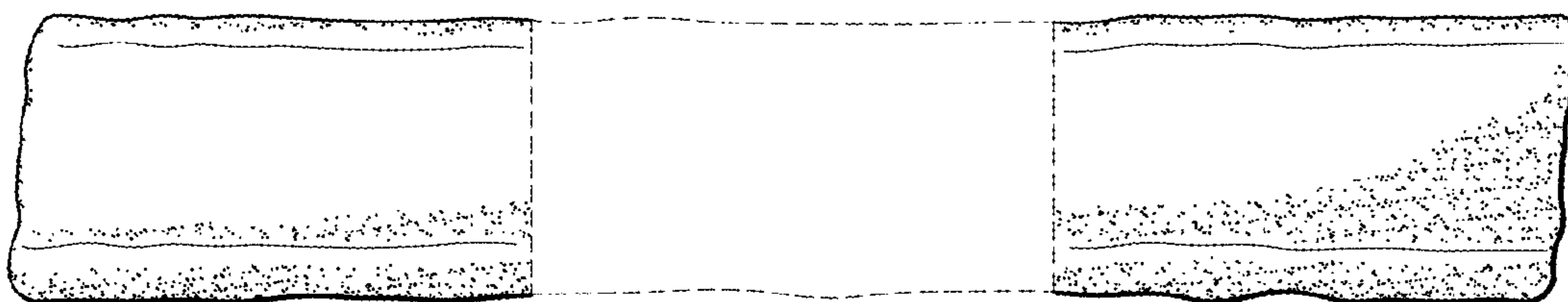


FIG. 4

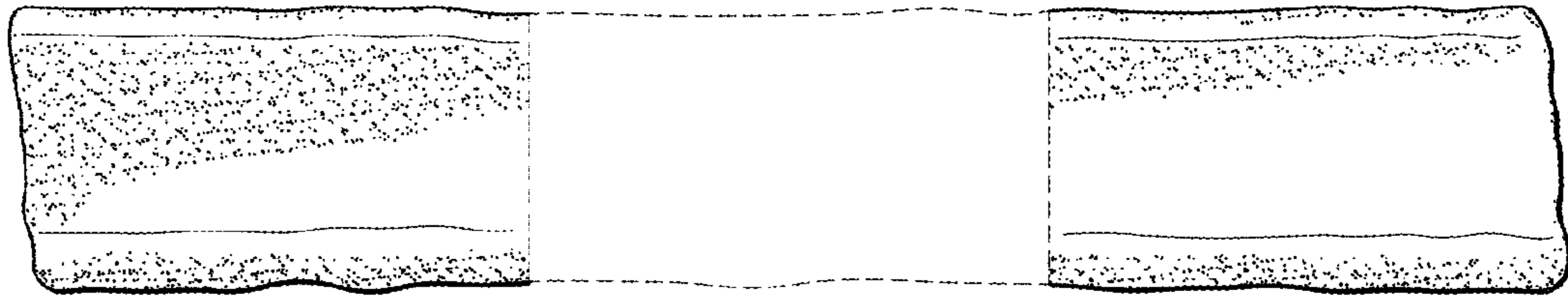


FIG. 5

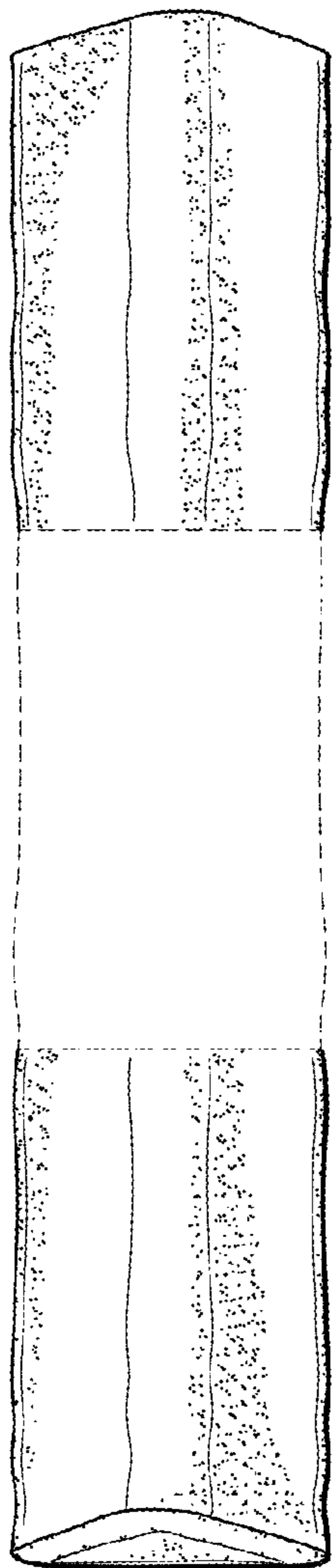


FIG. 6

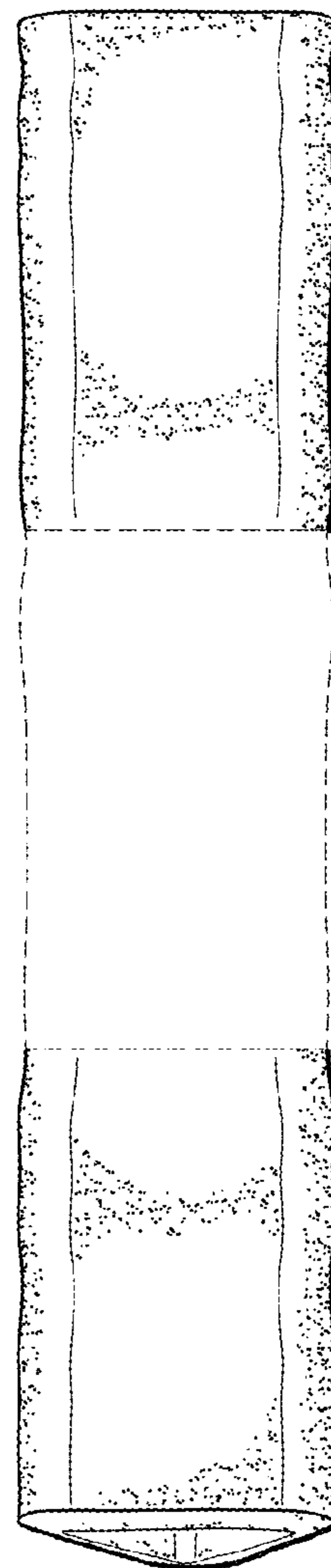


FIG. 7