



US00D746540S

(12) **United States Design Patent**
Scott

(10) **Patent No.:** **US D746,540 S**
(45) **Date of Patent:** **** Dec. 29, 2015**

(54) **DEVICE FOR AN ATM CARD SLOT**

(71) Applicant: **ATM Parts Company**, Surrey (GB)

(72) Inventor: **Kate Scott**, Surrey (GB)

(73) Assignee: **ATM PARTS COMPANY**, Camberley,
Surrey (GB)

(**) Term: **14 Years**

(21) Appl. No.: **29/456,994**

(22) Filed: **Jun. 6, 2013**

(30) **Foreign Application Priority Data**

Dec. 10, 2012 (EM) 002150235

(51) **LOC (10) Cl.** **99-00**

(52) **U.S. Cl.**
USPC **D99/43; D14/385**

(58) **Field of Classification Search**
USPC D99/28, 34, 35, 36, 43, 99;
D14/300-303, 900-902, 385;
D18/3.1-3.3, 4.4-4.6, 12, 12.1, 12.3;
101/66; 109/1 R, 1 V, 2, 23, 24.1, 25,
109/58, 66; 446/8-13; 206/0.8-0.84
CPC G07B 1/00; G07B 3/00; G07F 19/20;
G07F 19/201; G07F 19/202; G07F 19/203;
G07F 19/204; G07F 19/205; G07F 19/21;
G07D 1/00; G07D 1/02; G07D 1/04; G07D
1/06; G07D 1/08

See application file for complete search history.

(56) **References Cited**

U.S. PATENT DOCUMENTS

4,277,689 A * 7/1981 Thomas G06G 9/2009
235/454
D394,458 S * 5/1998 Watanabe D20/10

D419,277 S * 1/2000 Ishii D99/28
D448,040 S * 9/2001 Forslund D18/3.1
D492,080 S * 6/2004 Magee D99/28
D530,880 S * 10/2006 Magee D99/28
D532,421 S * 11/2006 Metivier D14/385
D596,373 S * 7/2009 Kang D99/28
D596,374 S * 7/2009 Kang D99/28
D603,125 S * 10/2009 Lara Bartolome D99/28
D607,000 S * 12/2009 Cheng D14/385
D625,305 S * 10/2010 Bleck D14/307
D628,576 S * 12/2010 Daniel D14/385
D629,585 S * 12/2010 Bleck D14/307
D645,223 S * 9/2011 Bleck D14/307
D665,802 S * 8/2012 Nelson, Jr. D14/385
D674,985 S * 1/2013 Lee D14/900
D701,365 S * 3/2014 Kimoto D99/43
D702,415 S * 4/2014 Kimoto D99/43
2006/0073883 A1 * 4/2006 Franks G06Q 30/02
463/25

* cited by examiner

Primary Examiner — Elizabeth J Oswecki

(74) *Attorney, Agent, or Firm* — Notaro, Michalos &
Zaccaria P.C.

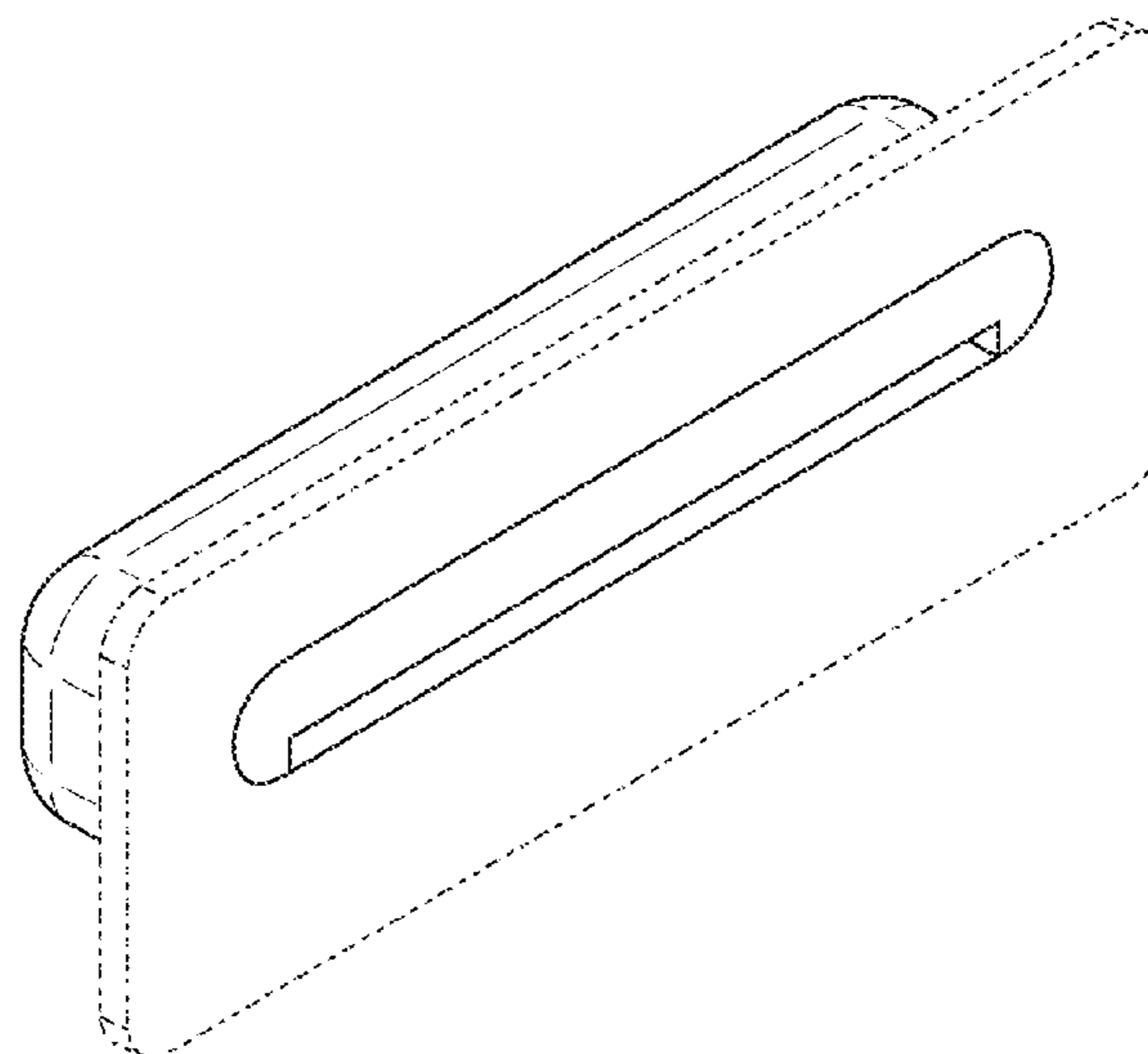
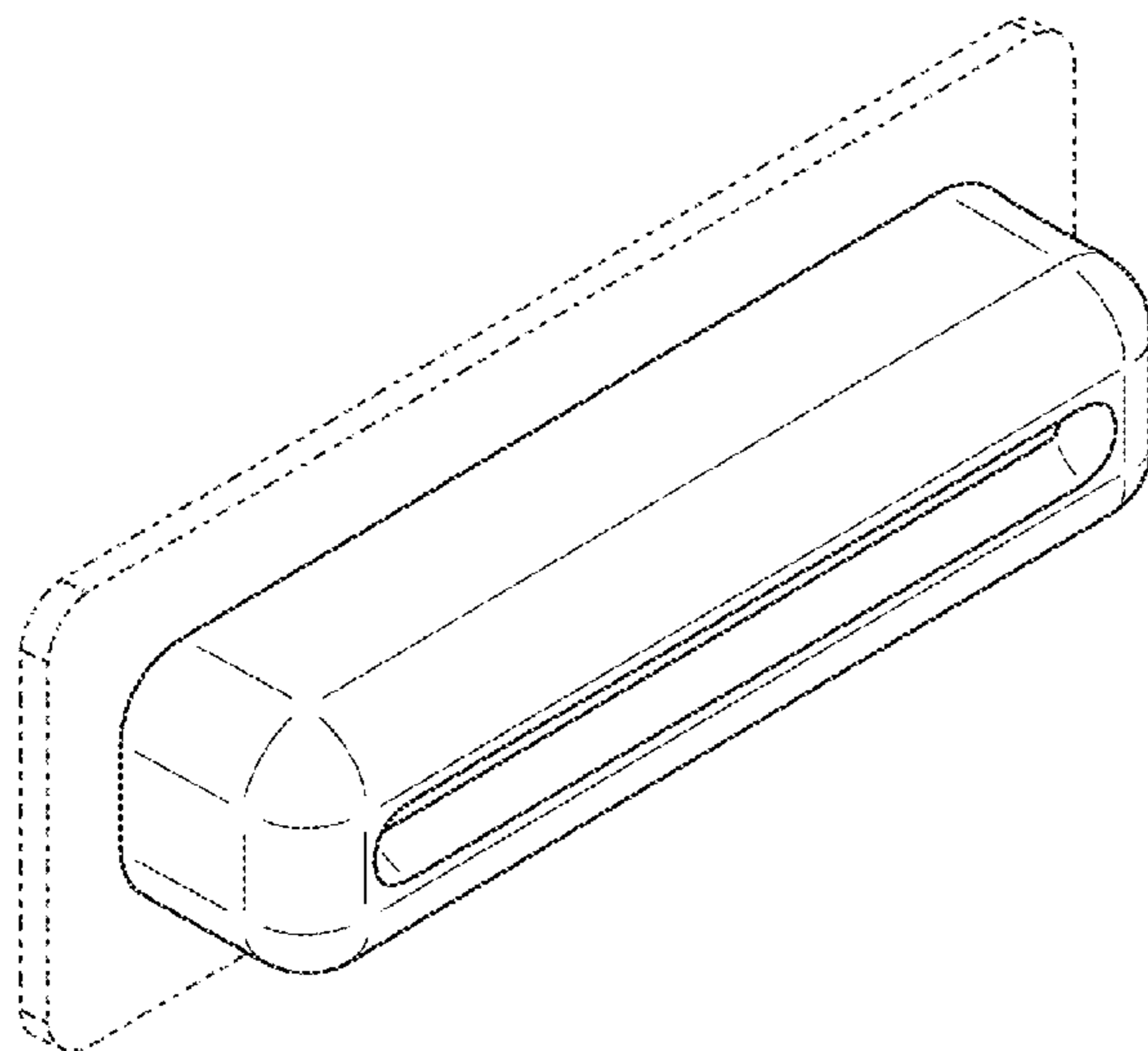
(57) **CLAIM**

The ornamental design for a device for an ATM card slot, as shown and described.

DESCRIPTION

FIG. 1 is a rear elevational view of a device for an ATM card slot showing my new design;
FIG. 2 is a top plan view thereof;
FIG. 3 is a front elevational view thereof;
FIG. 4 is a side elevational view thereof;
FIG. 5 is a front perspective view thereof;
FIG. 6 is a rear perspective view thereof; and,
FIG. 7 is an exploded rear perspective view thereof, the inner bracket removed for ease of illustration.
The parts shown in broken line form no part of the design.

1 Claim, 4 Drawing Sheets



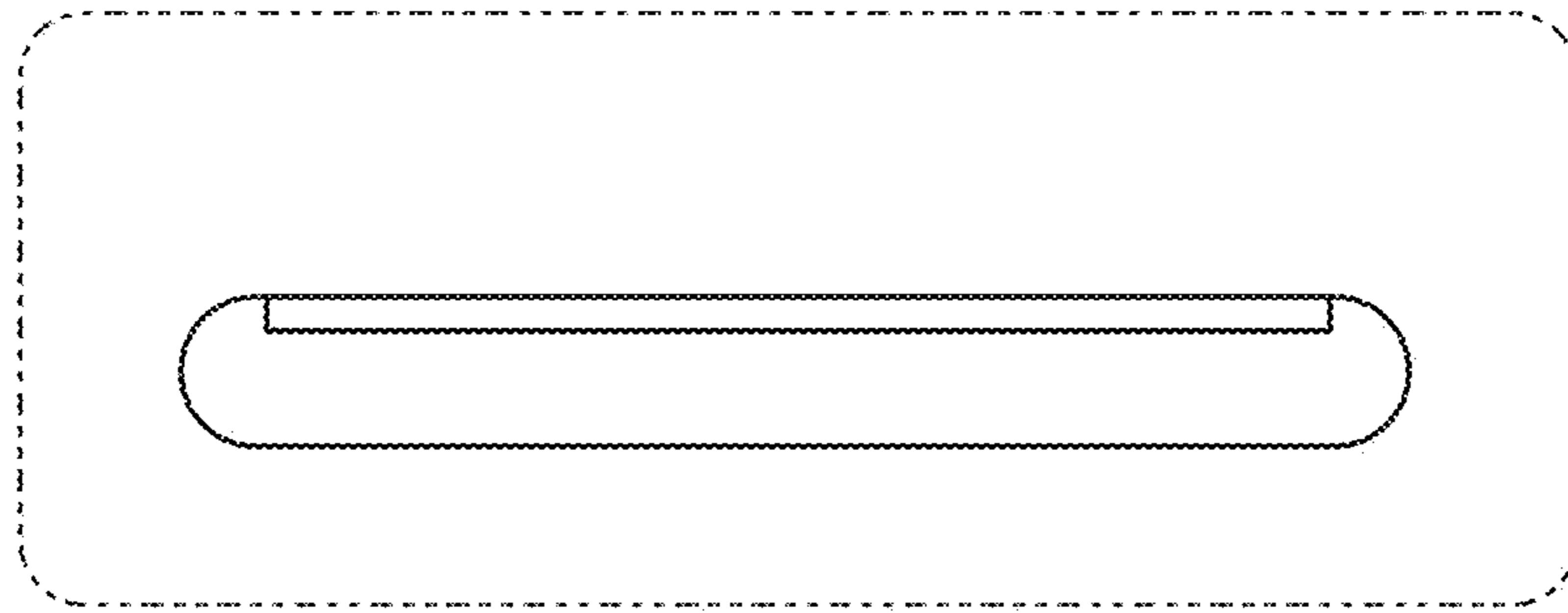


FIG. 1

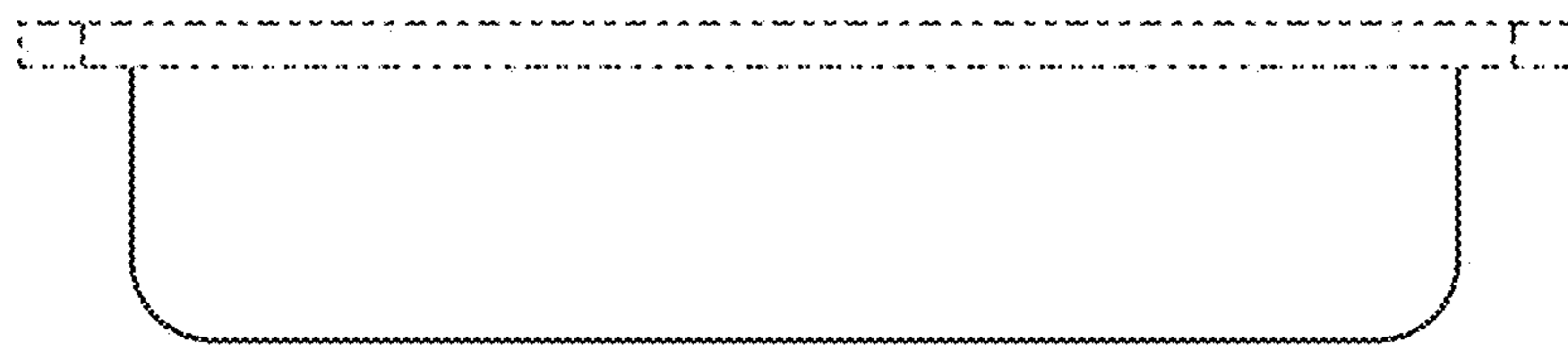


FIG. 2

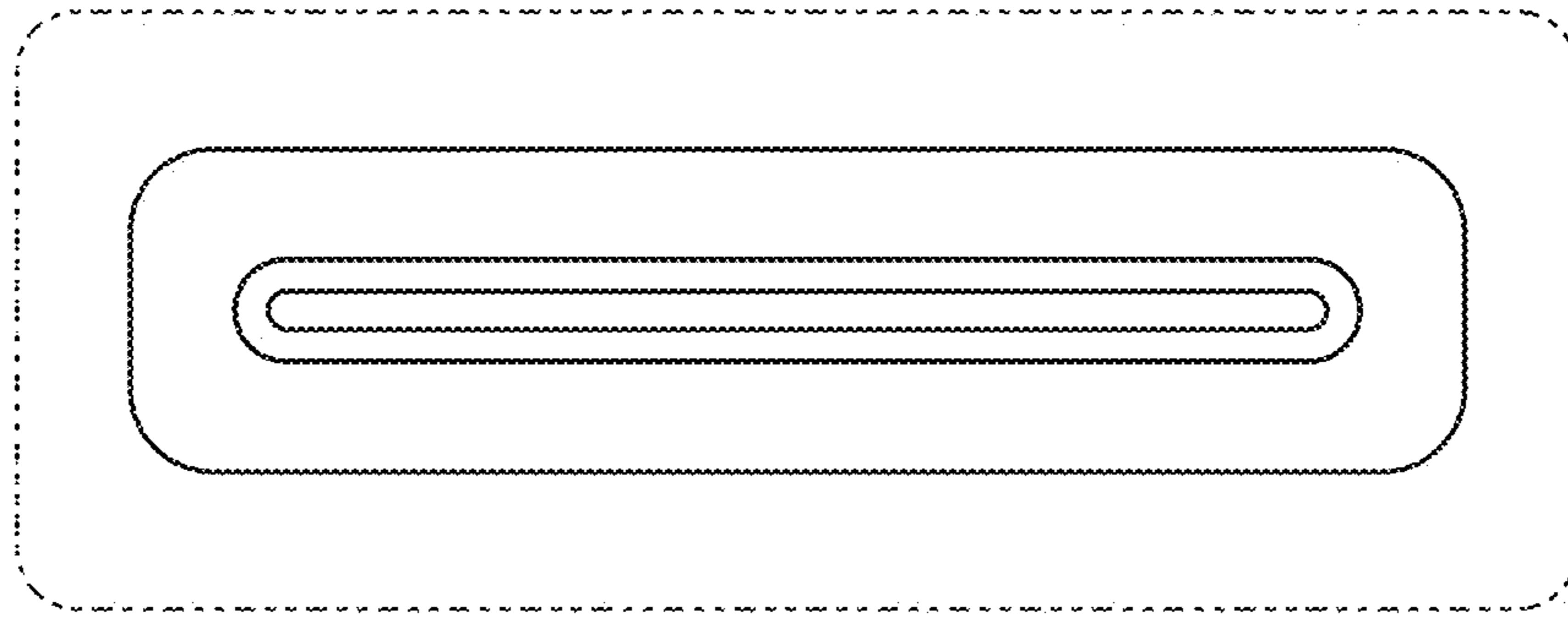


FIG. 3

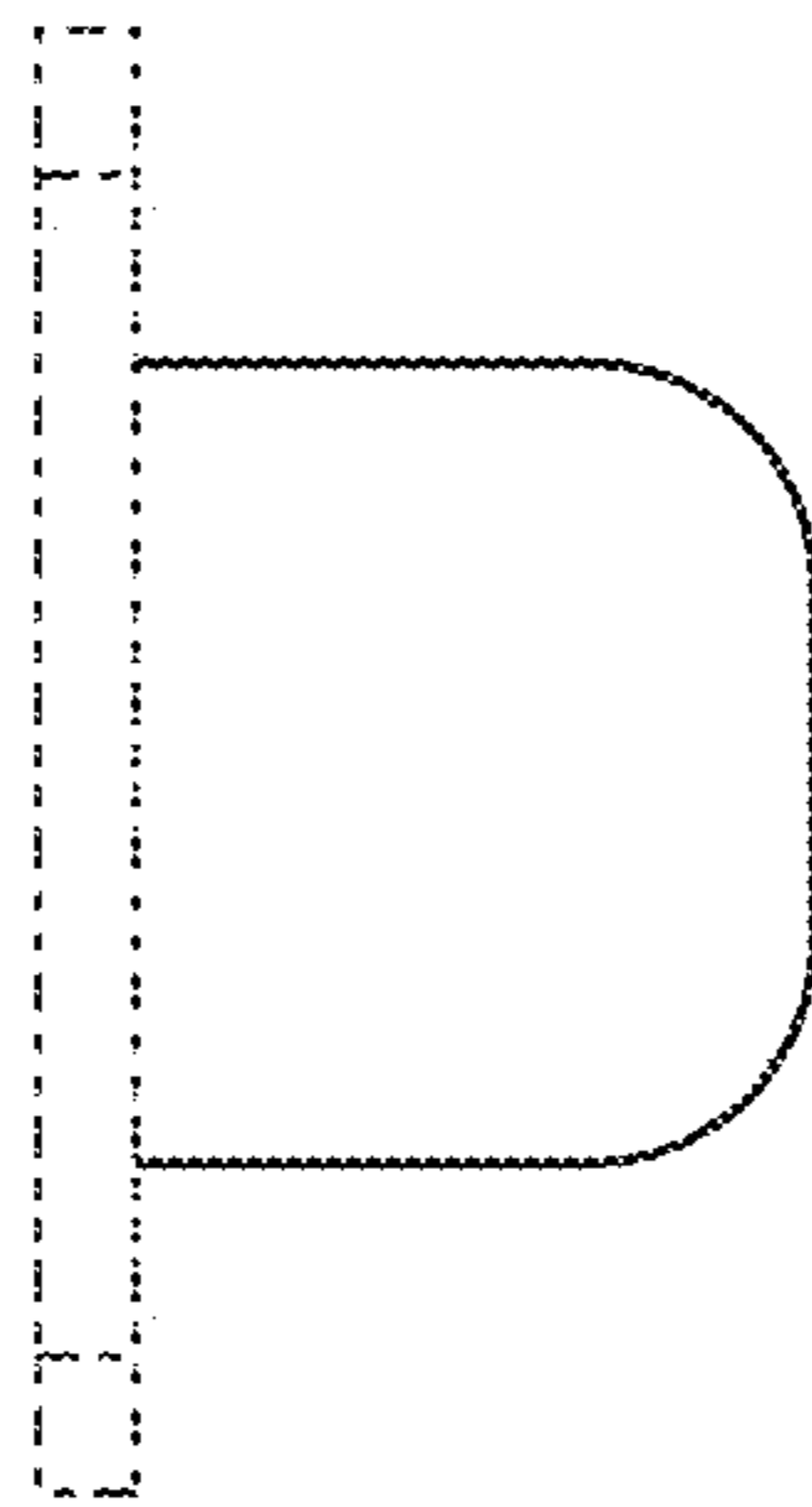


FIG. 4

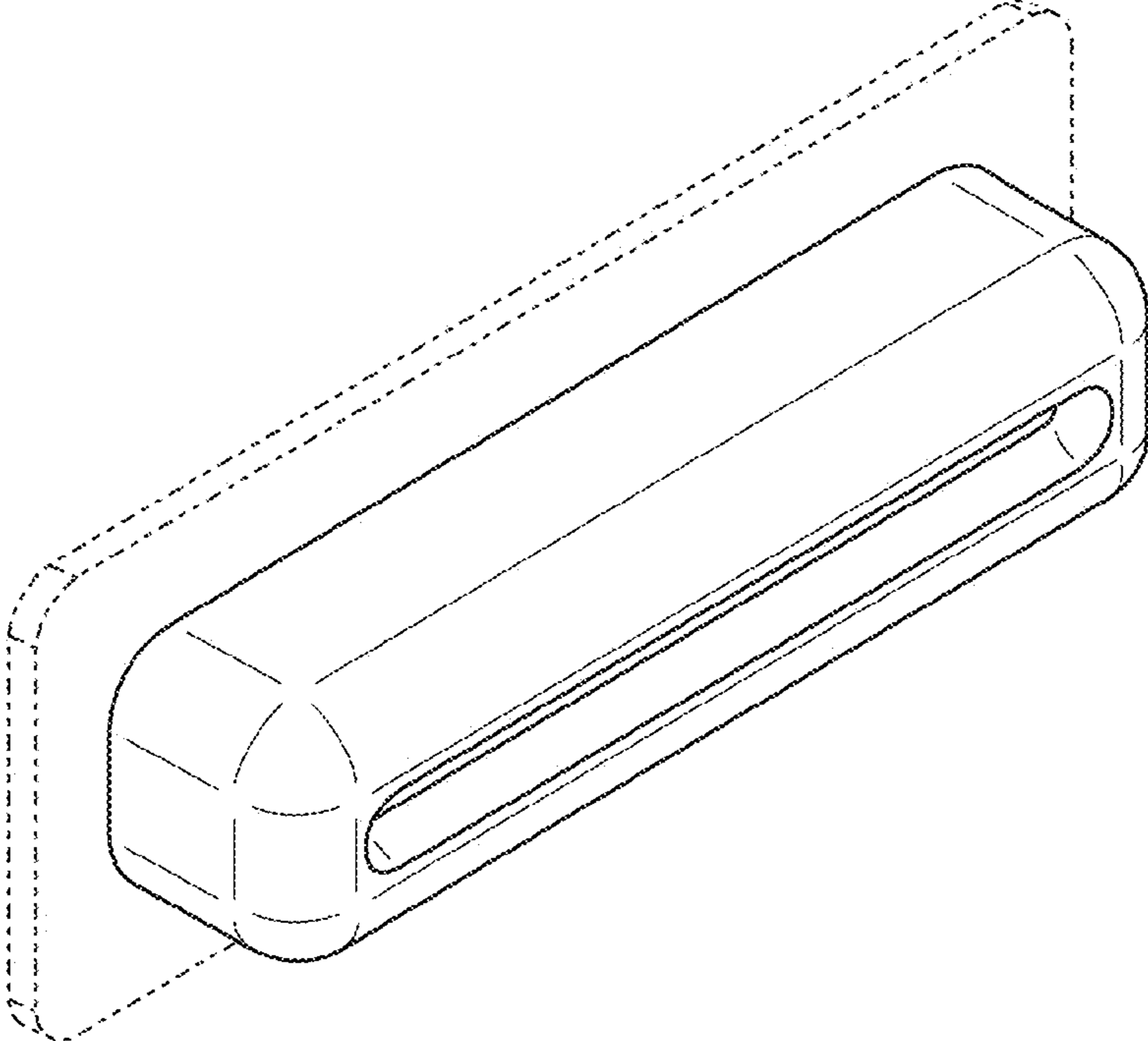


FIG. 5

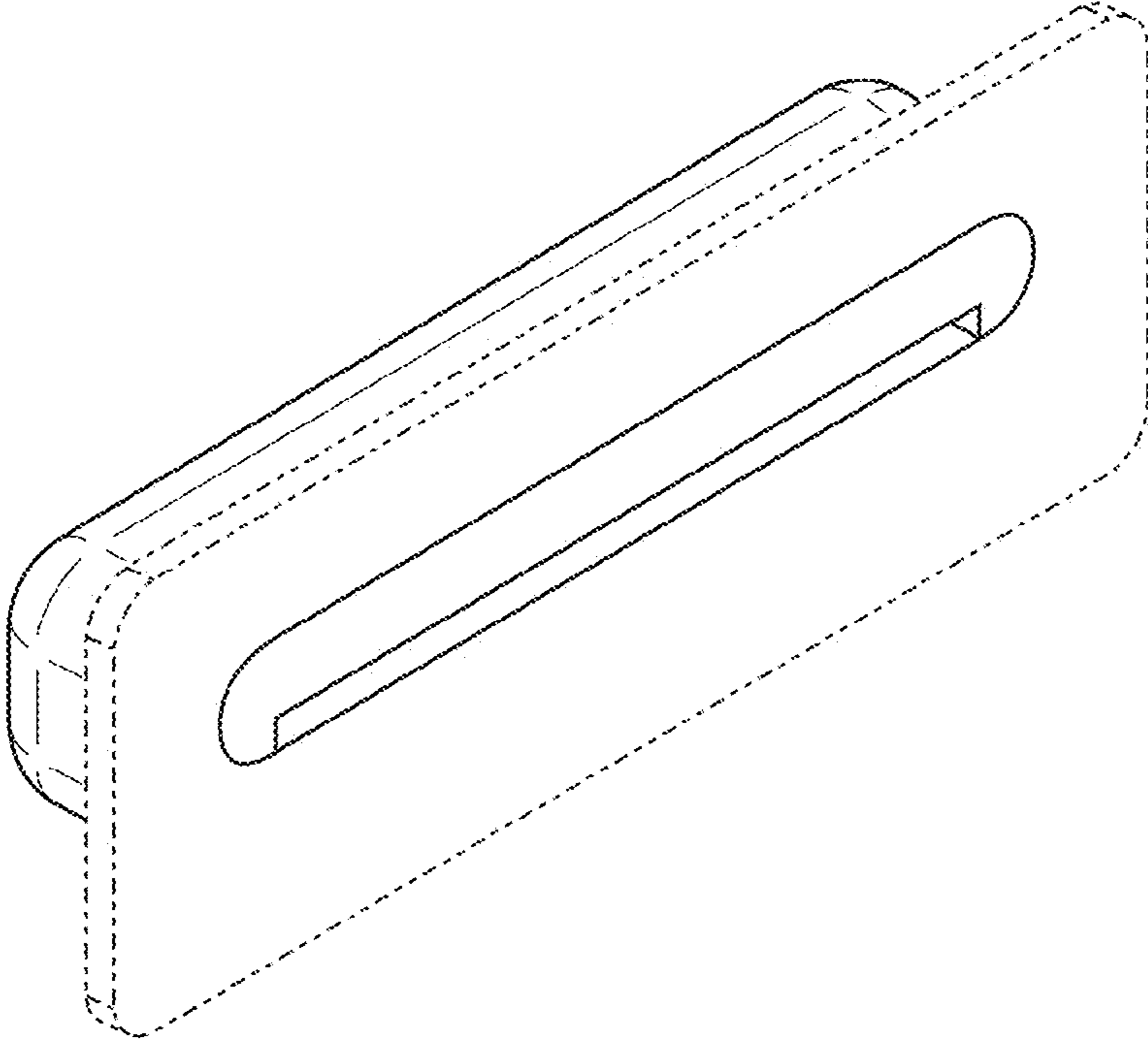


FIG. 6

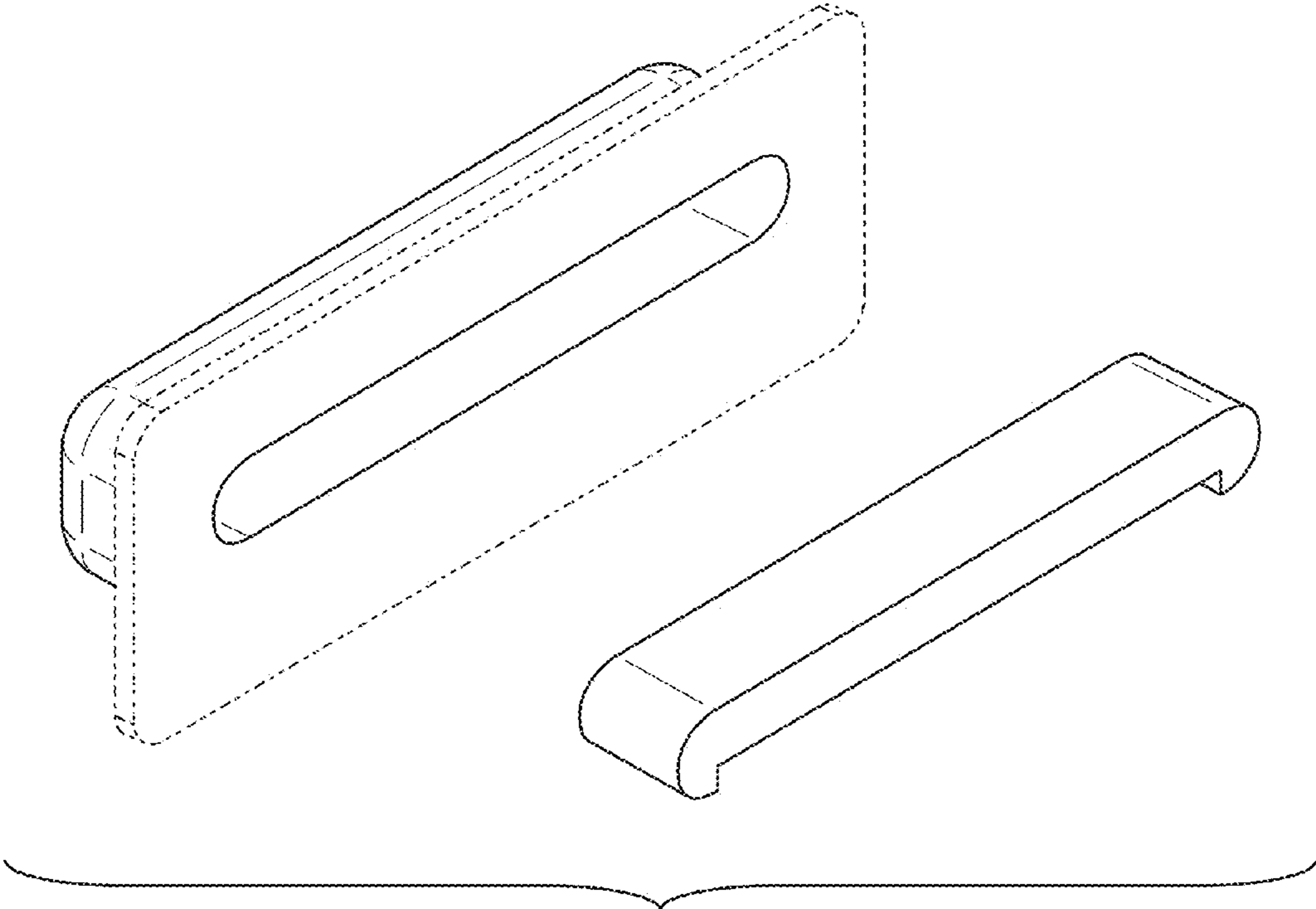


FIG. 7