



US00D746534S

(12) **United States Design Patent**  
**Rekow et al.**

(10) **Patent No.:** **US D746,534 S**

(45) **Date of Patent:** **\*\* Dec. 29, 2015**

(54) **COUNTERWEIGHT FOR A LIFT TRUCK**

(71) Applicant: **Crown Equipment Corporation**, New Bremen, OH (US)

(72) Inventors: **Craig J. Rekow**, Troy, OH (US); **Trisha M. Luthman**, Covington, OH (US); **Roger J. Quinlan**, Troy, OH (US)

(73) Assignee: **Crown Equipment Corporation**, New Bremen, OH (US)

(\*\*) Term: **14 Years**

(21) Appl. No.: **29/497,833**

(22) Filed: **Jul. 29, 2014**

(51) **LOC (10) Cl.** ..... **12-05**

(52) **U.S. Cl.**  
USPC ..... **D34/35**

(58) **Field of Classification Search**  
USPC ..... D34/28-37; 414/572, 592, 631, 785, 414/640, 601, 602, 685, 687, 688, 694; 180/89.12, 89.13, 89.17; D15/10, D15/22-29, 30, 31; 296/193.03, 193.08; 172/611, 776  
CPC ..... B66F 9/24; B66F 9/07563; B66F 17/003; B66F 9/105; B66F 9/07545; B66F 9/12; B66F 9/146; B66F 9/195  
See application file for complete search history.

(56) **References Cited**

**U.S. PATENT DOCUMENTS**

D559,279 S \* 1/2008 Sakitani et al. .... D15/28  
D576,775 S \* 9/2008 Buchmann et al. .... D34/35

D587,285 S \* 2/2009 Murakami et al. .... D15/28  
D612,563 S \* 3/2010 Stark ..... D34/34  
D649,322 S 11/2011 Bartlett et al.  
D656,293 S \* 3/2012 Kazaoka et al. .... D34/35  
D678,358 S \* 3/2013 Hiraoka et al. .... D15/28  
D678,359 S \* 3/2013 Hagura et al. .... D15/28  
D680,136 S \* 4/2013 Tsukamoto et al. .... D15/28  
D724,106 S 3/2015 Gallagher et al.  
D725,157 S \* 3/2015 Higuchi et al. .... D15/28  
D725,683 S \* 3/2015 Payne et al. .... D15/31  
D728,638 S \* 5/2015 Payne et al. .... D15/31

\* cited by examiner

*Primary Examiner* — Cynthia Ramirez

*Assistant Examiner* — Gino Colan

(74) *Attorney, Agent, or Firm* — Stevens & Showalter LLP

(57) **CLAIM**

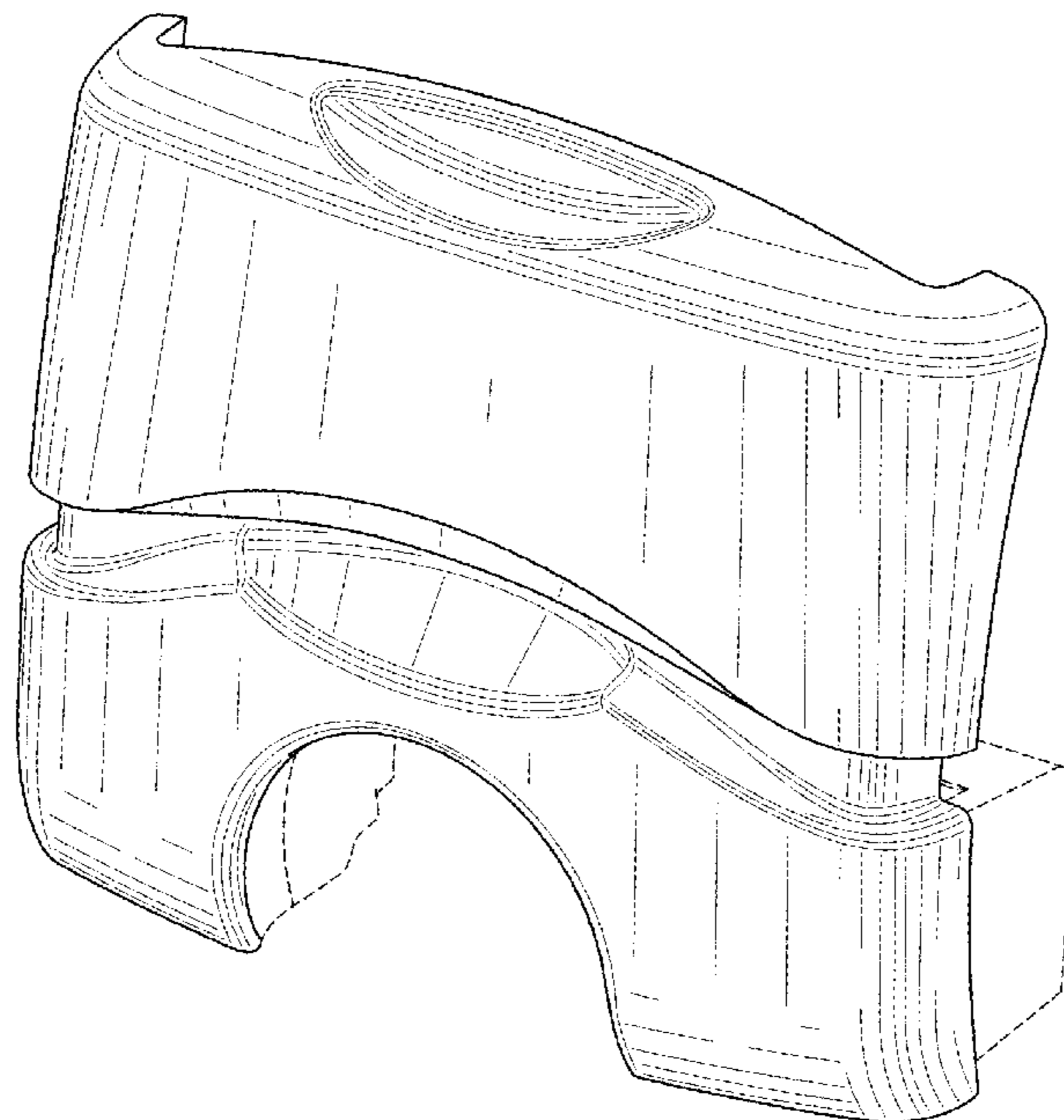
The ornamental design for a counterweight for a lift truck, as shown and described.

**DESCRIPTION**

FIG. 1 is a perspective view of the counterweight for a lift truck;  
FIG. 2 is a rear elevational view thereof;  
FIG. 3 is a front elevational view thereof;  
FIG. 4 is a left elevational view thereof; and  
FIG. 5 is a right elevational view thereof;  
FIG. 6 is a top view thereof; and  
FIG. 7 is a bottom view thereof.

The broken lines in the drawings are included for the purpose of illustrating portions of the counterweight for a lift truck and form no part of the claimed design.

**1 Claim, 5 Drawing Sheets**



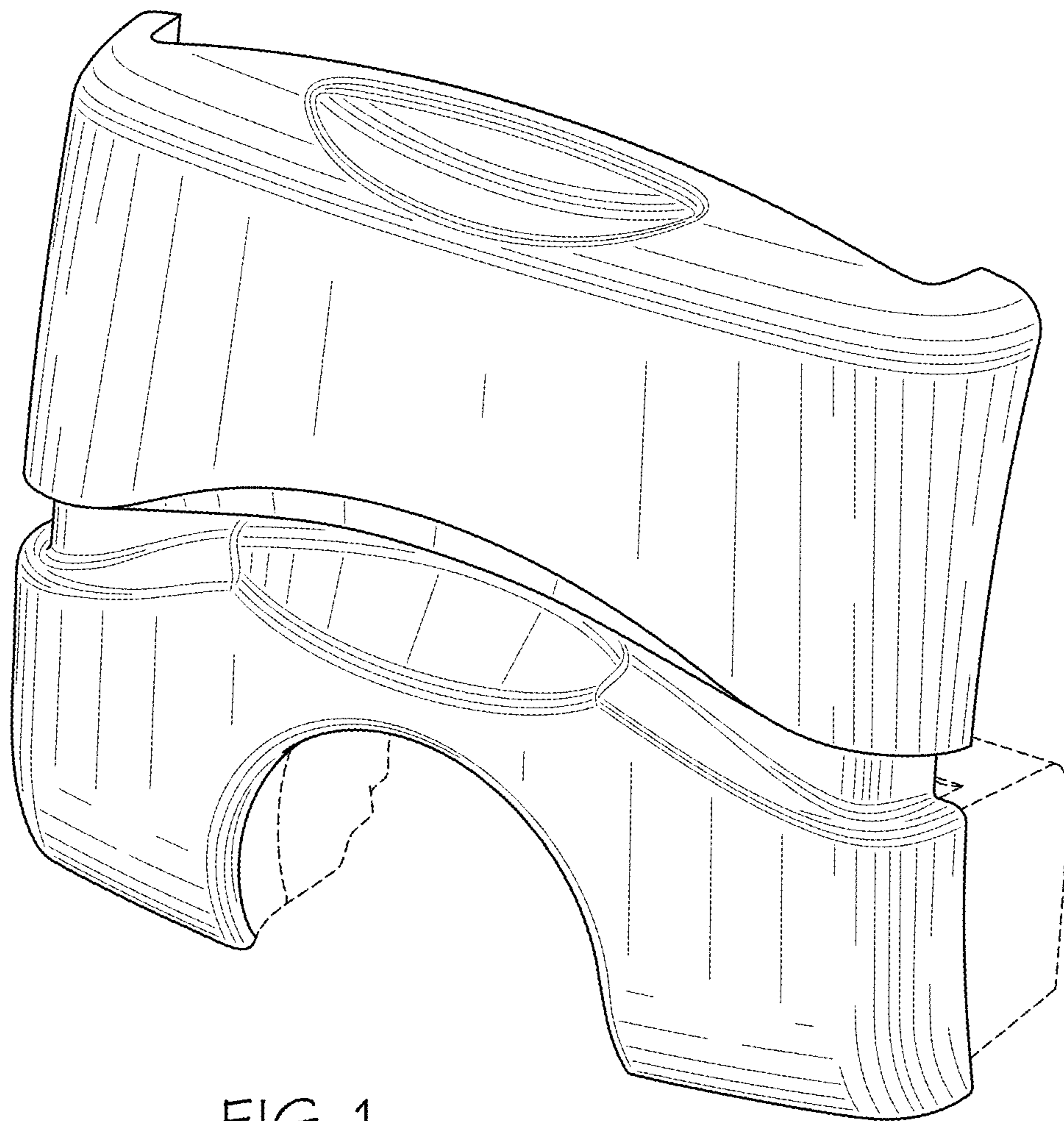


FIG. 1

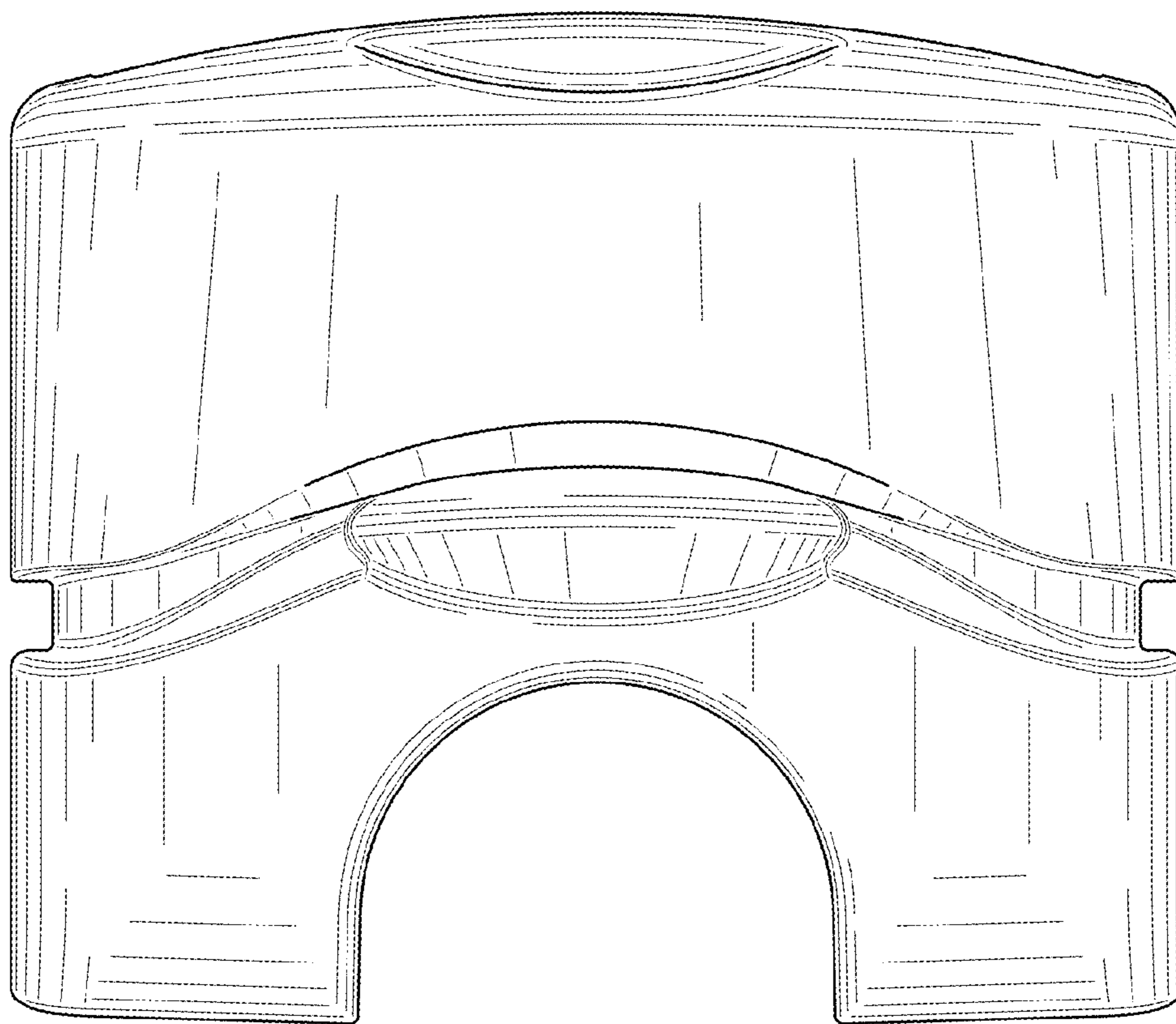


FIG. 2

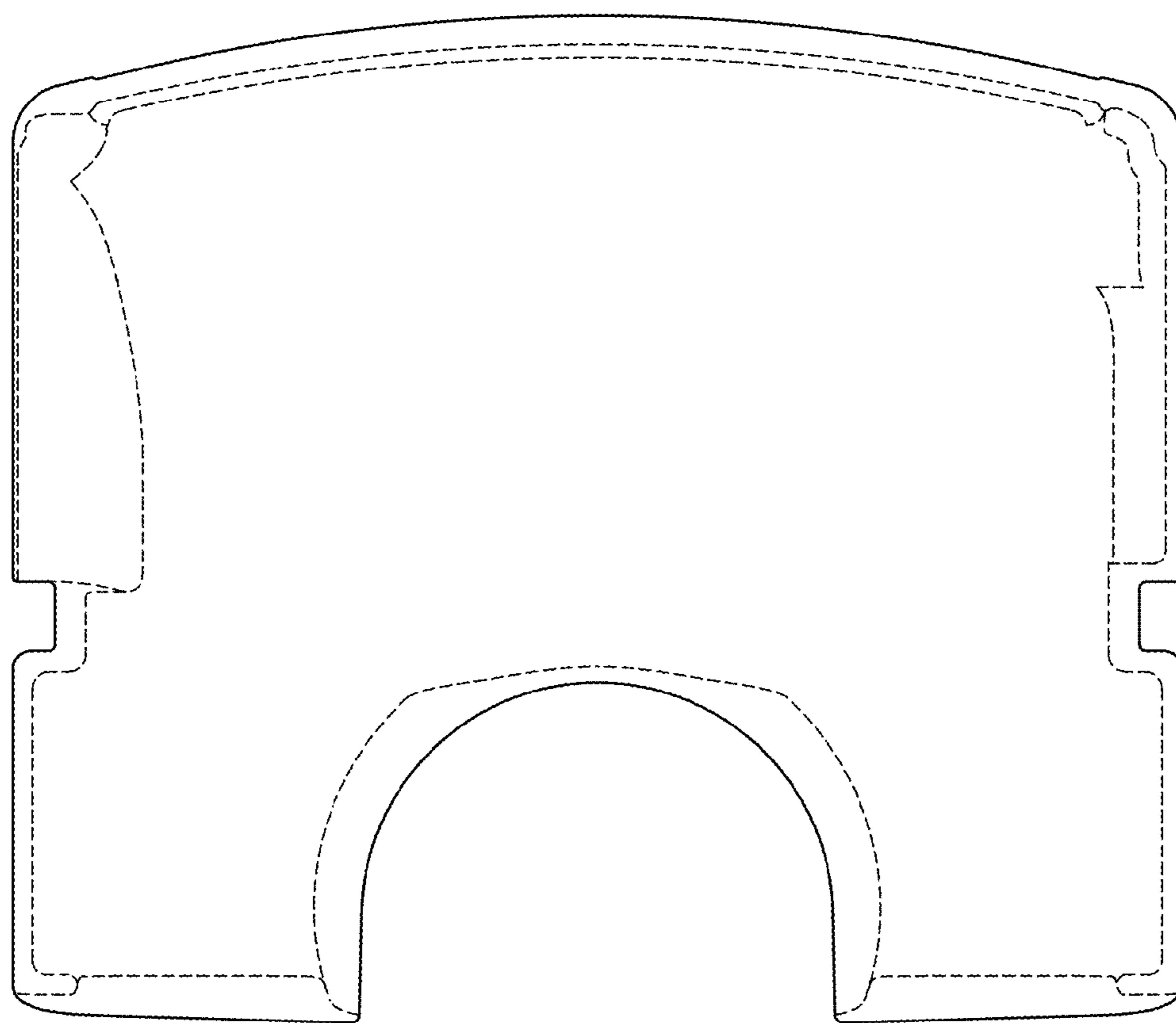


FIG. 3

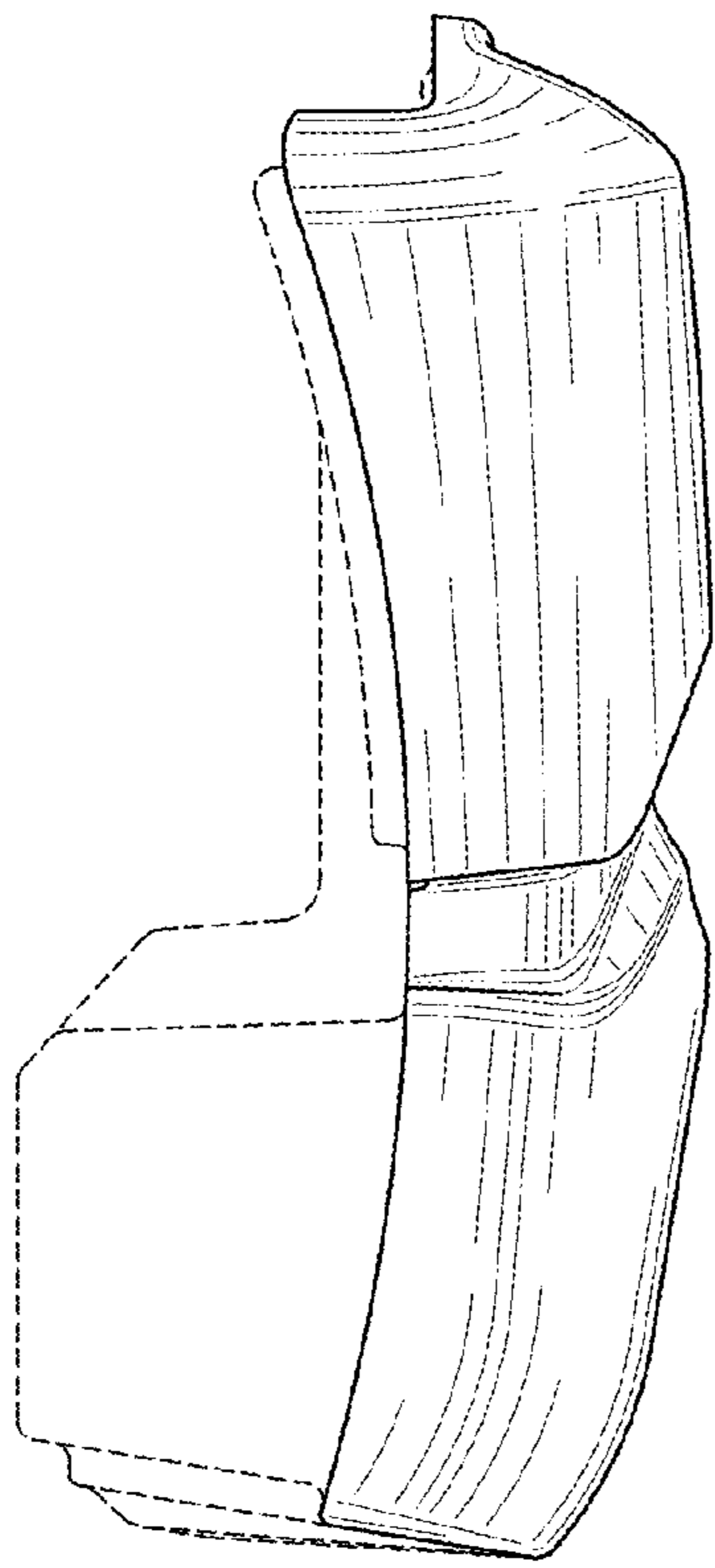


FIG. 4

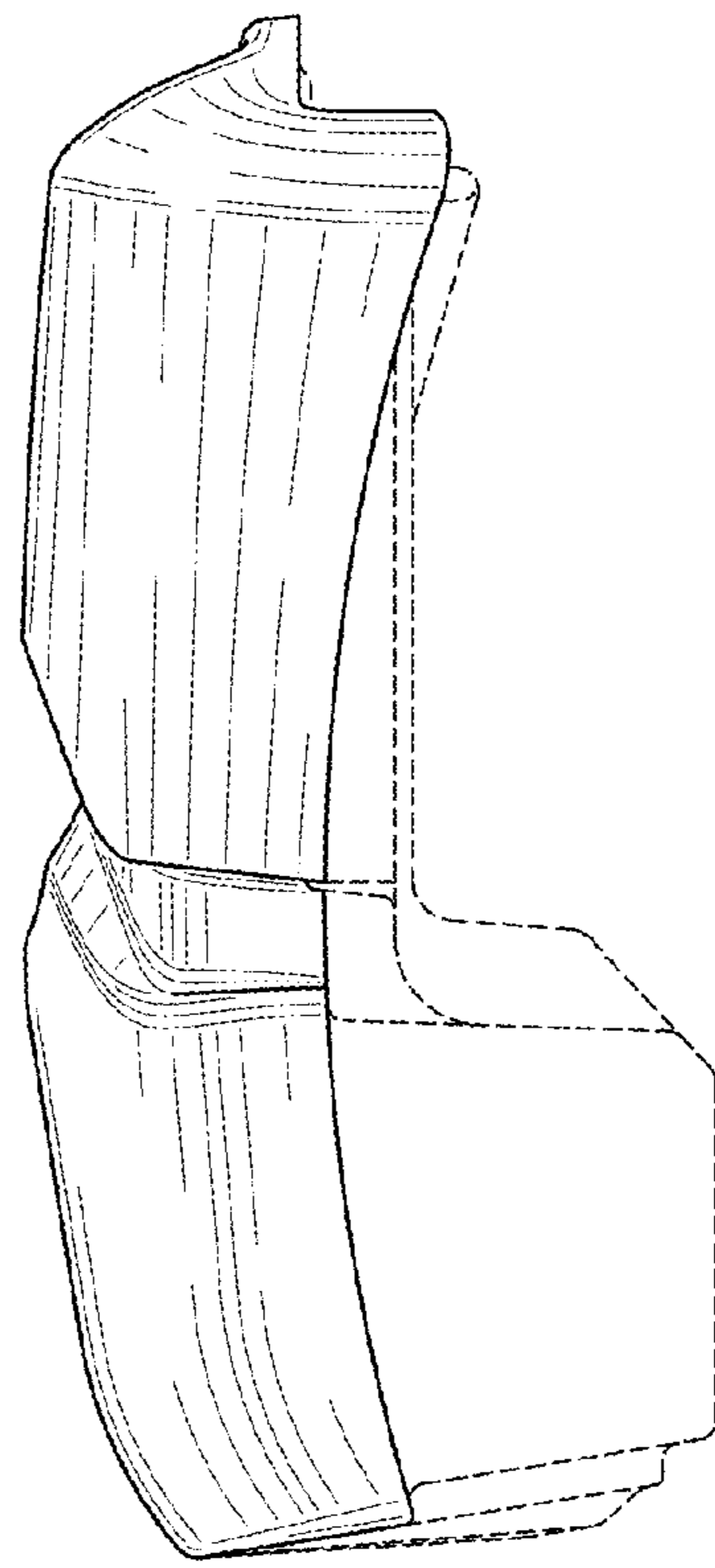


FIG. 5

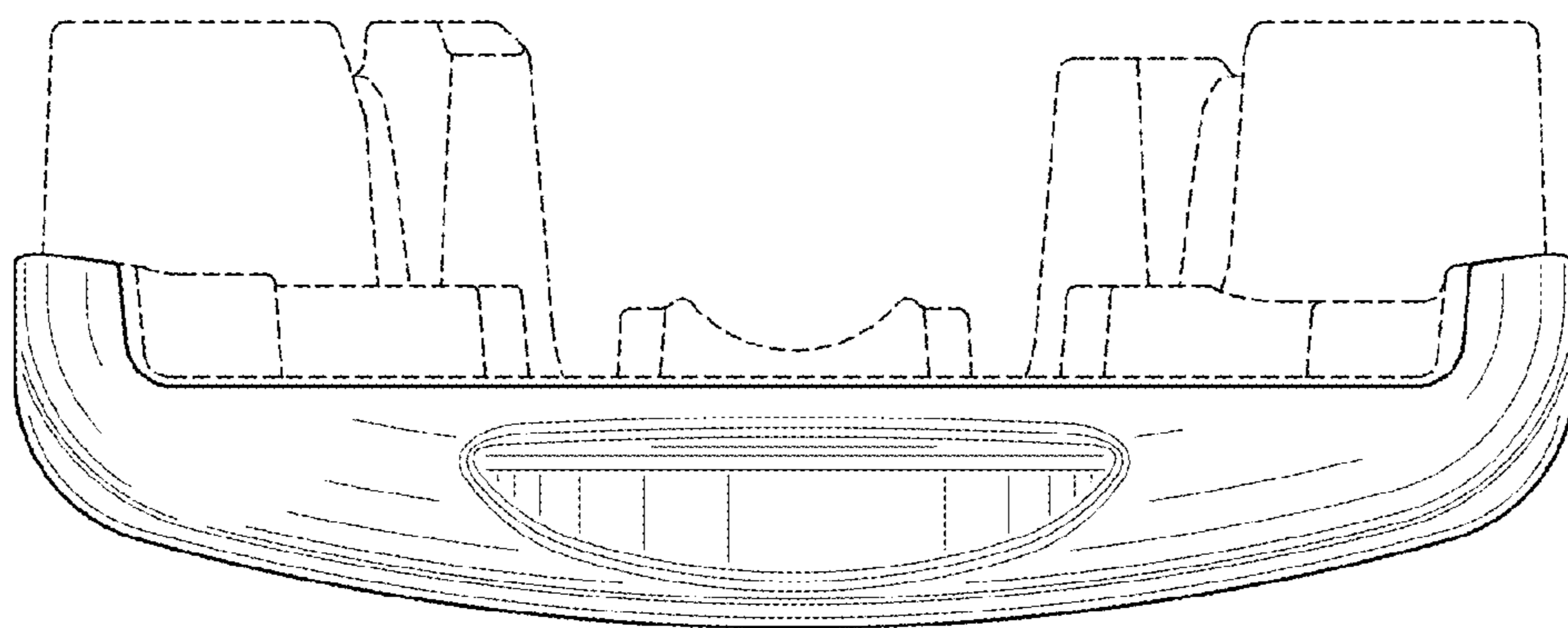


FIG. 6

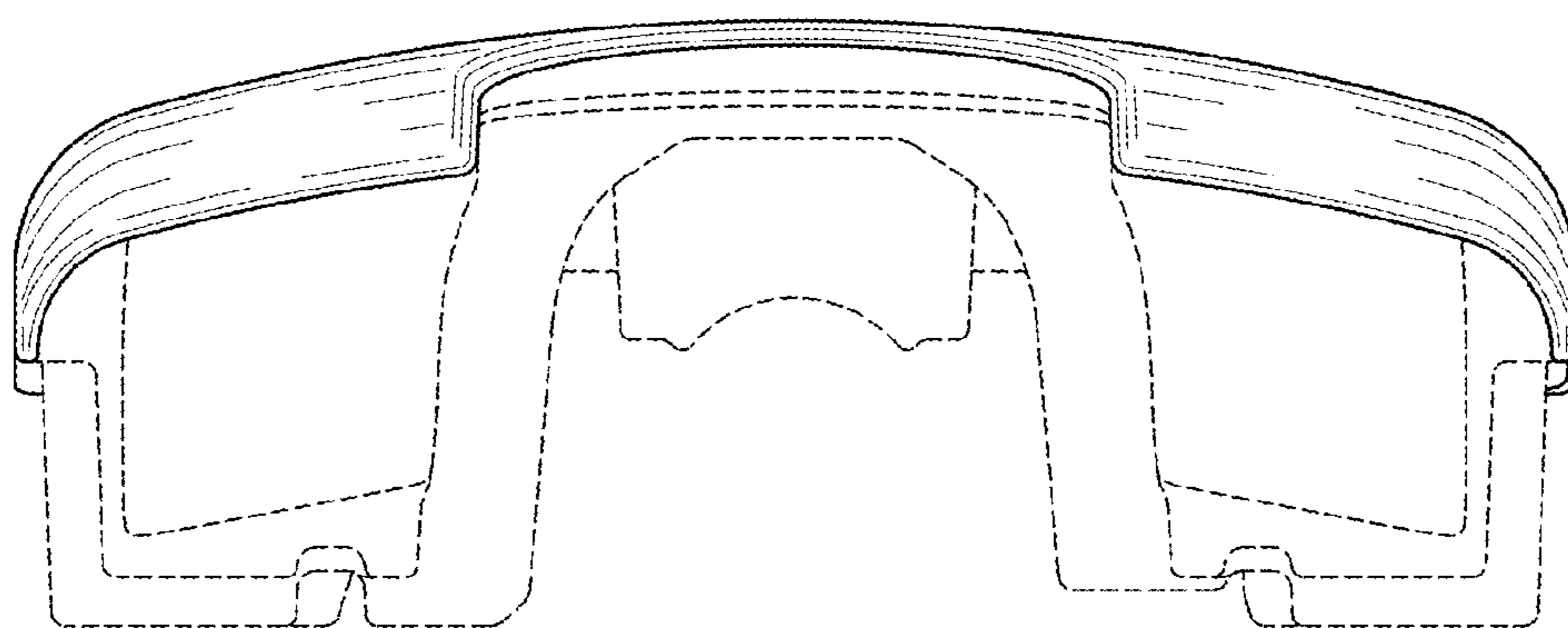


FIG. 7