



US00D746533S

(12) **United States Design Patent**
Chen

(10) **Patent No.:** **US D746,533 S**
(45) **Date of Patent:** **** Dec. 29, 2015**

(54) **JACK STAND**

(71) Applicant: **Victor Hung**, Taipei (TW)

(72) Inventor: **Kevin Chen**, Taipei (TW)

(73) Assignee: **Victor Hung**, Taipei (TW)

(**) Term: **14 Years**

(21) Appl. No.: **29/496,639**

(22) Filed: **Jul. 15, 2014**

Related U.S. Application Data

(63) Continuation of application No. 14/332,139, filed on Jul. 15, 2014.

(30) **Foreign Application Priority Data**

Apr. 30, 2014 (CN) 2014 2 0210385 U
Apr. 30, 2014 (TW) 103207527 U

(51) **LOC (10) Cl.** **12-05**

(52) **U.S. Cl.**
USPC **D34/31**

(58) **Field of Classification Search**
USPC D34/28, 31; 254/94, 422, 93 H, 100,
254/103, 93 R, DIG. 1, 2 R, 8 R, 45
CPC B66F 13/00; B66F 5/04; B66F 3/005;
B66F 3/12; B66F 3/25; B66F 3/30; B66F
1/00; B66F 1/02
See application file for complete search history.

(56) **References Cited**

U.S. PATENT DOCUMENTS

1,661,882 A 3/1928 Derrick
D230,014 S 1/1974 Edgell, Sr.

(Continued)

OTHER PUBLICATIONS

Notice of Allowance in related Design U.S. Appl. No. 29/496,637, 7 pages.

Primary Examiner — Cynthia Ramirez

(74) *Attorney, Agent, or Firm* — Lathrop & Gage LLP

(57) **CLAIM**

The ornamental design for a jack stand, as shown and described.

DESCRIPTION

FIG. 1 is a front perspective view of a jack stand in accordance with the present invention.

FIG. 2 is a front view of the jack stand of FIG. 1.

FIG. 3 is a rear view of the jack stand of FIG. 1.

FIG. 4 is a right side view of the jack stand of FIG. 1.

FIG. 5 is a left side view of the jack stand of FIG. 1.

FIG. 6 is a top view of the jack stand of FIG. 1.

FIG. 7 is a bottom view of the jack stand of FIG. 1.

FIG. 8 is a front perspective view of the jack stand of FIG. 1 showing a support bar in one extended position.

FIG. 9 is a front view of the jack stand of FIG. 1, configured as in FIG. 8.

FIG. 10 is a rear view of the jack stand of FIG. 1, configured as in FIG. 8.

FIG. 11 is a right side view of the jack stand of FIG. 1, configured as in FIG. 8.

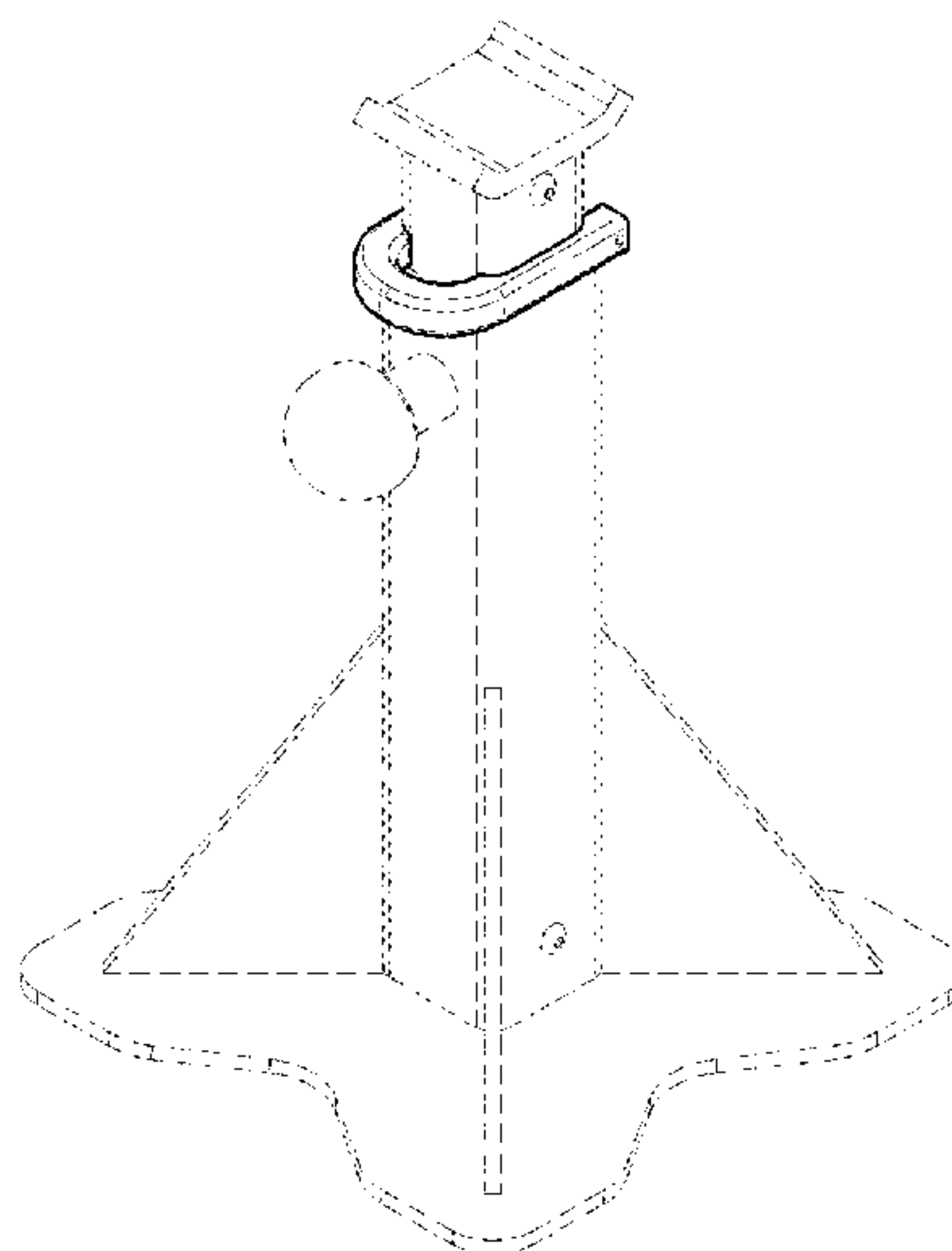
FIG. 12 is a left side view of the jack stand of FIG. 1, configured as in FIG. 8.

FIG. 13 is a top view of the jack stand of FIG. 1, configured as in FIG. 8; and,

FIG. 14 is a bottom view of the jack stand of FIG. 1, configured as in FIG. 8.

All of the broken lines in the accompanying drawings illustrate environmental structure and form no part of the claimed design.

1 Claim, 8 Drawing Sheets



(56)

References Cited

U.S. PATENT DOCUMENTS

3,802,658 A 4/1974 Binding
D269,473 S 6/1983 Jonsson
4,690,361 A 9/1987 Lundman
5,180,131 A 1/1993 Few
6,053,477 A 4/2000 Price

D513,819 S 1/2006 Ji
D537,605 S 2/2007 Rivera
D621,122 S 8/2010 Finkbeiner
D656,289 S 3/2012 Crump
D732,787 S * 6/2015 Chen D34/31
2005/0104050 A1 5/2005 Spencer
2008/0203265 A1 8/2008 Zhang

* cited by examiner

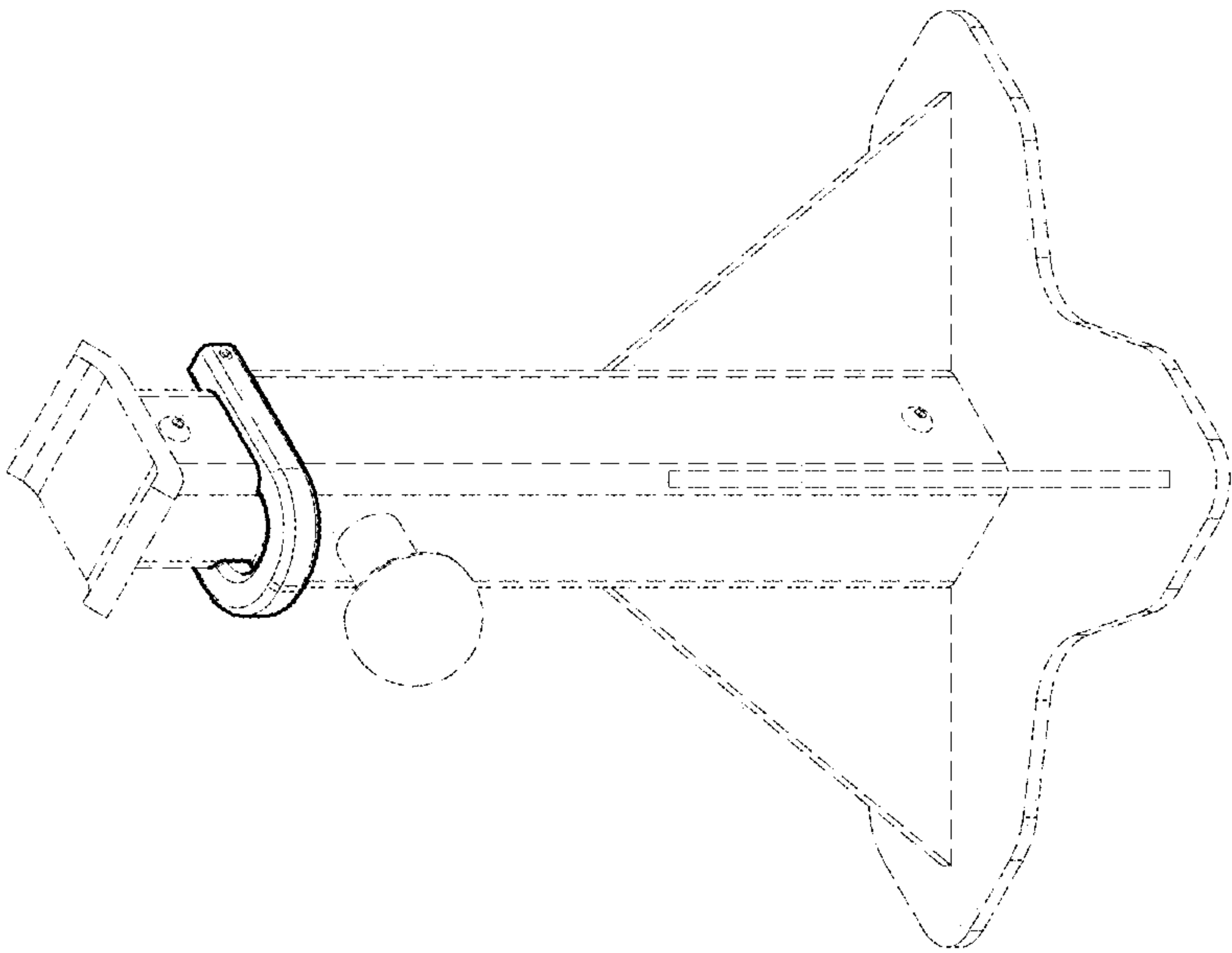


FIG. 1

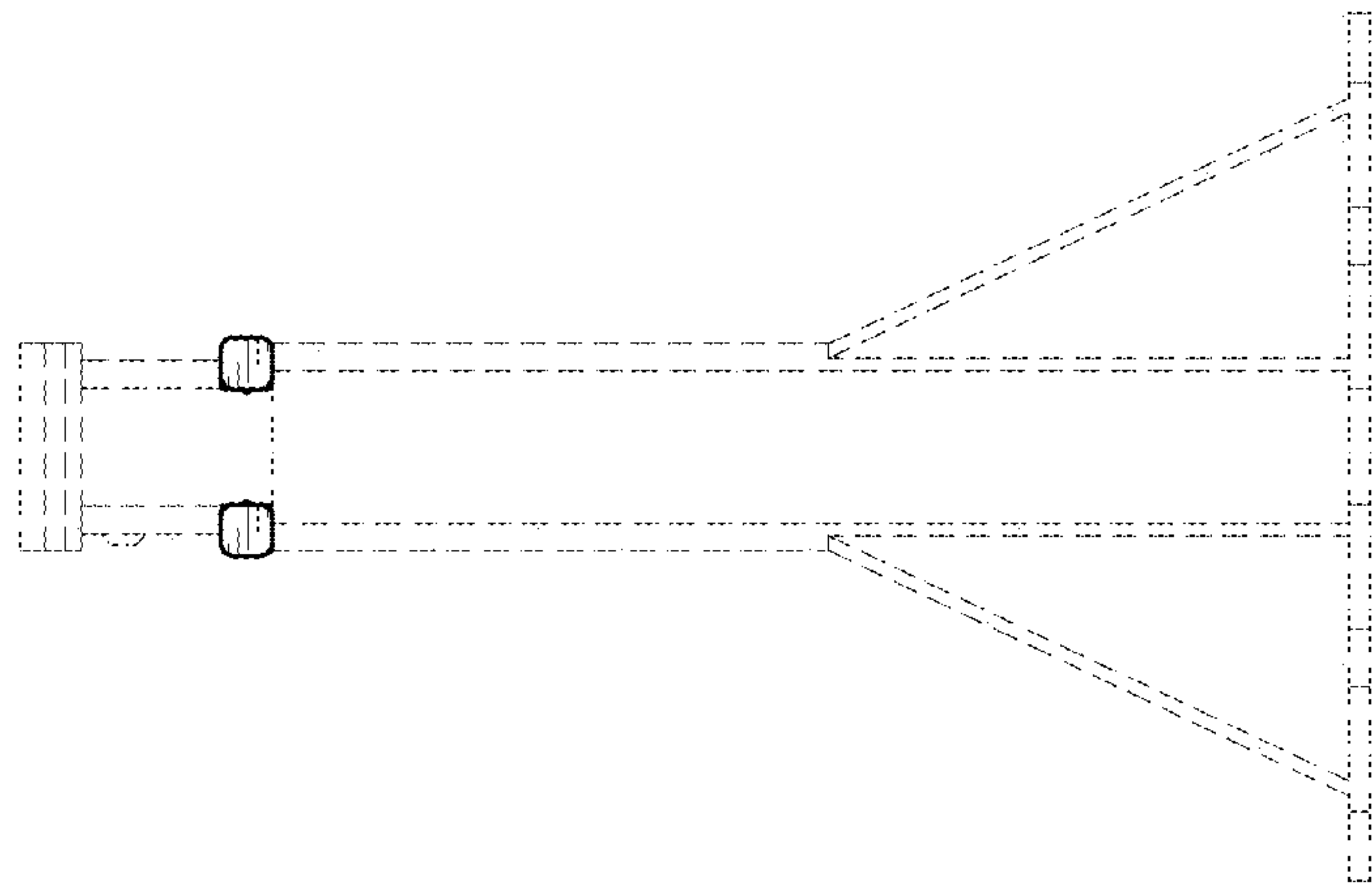


FIG. 2

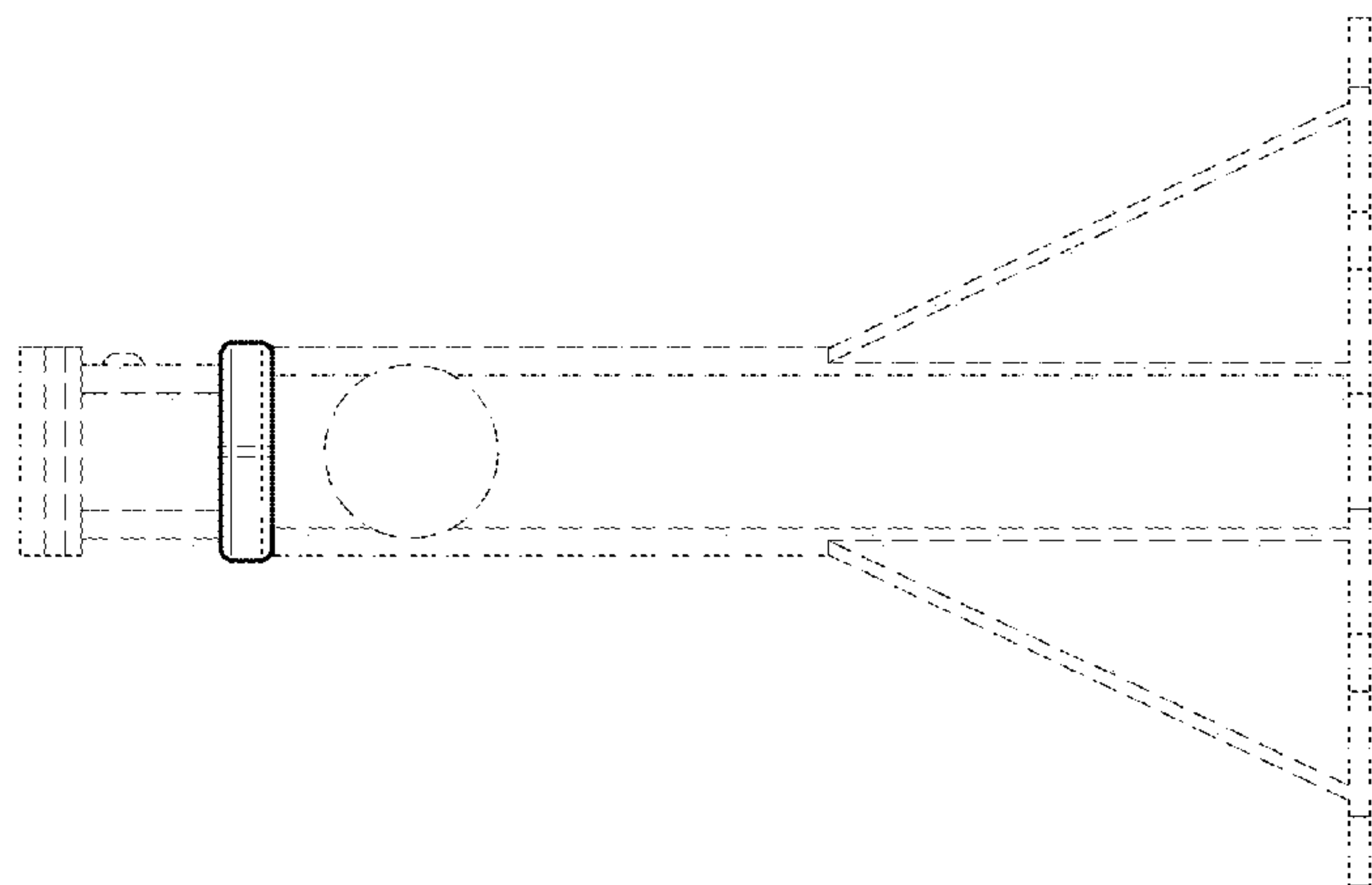


FIG. 3

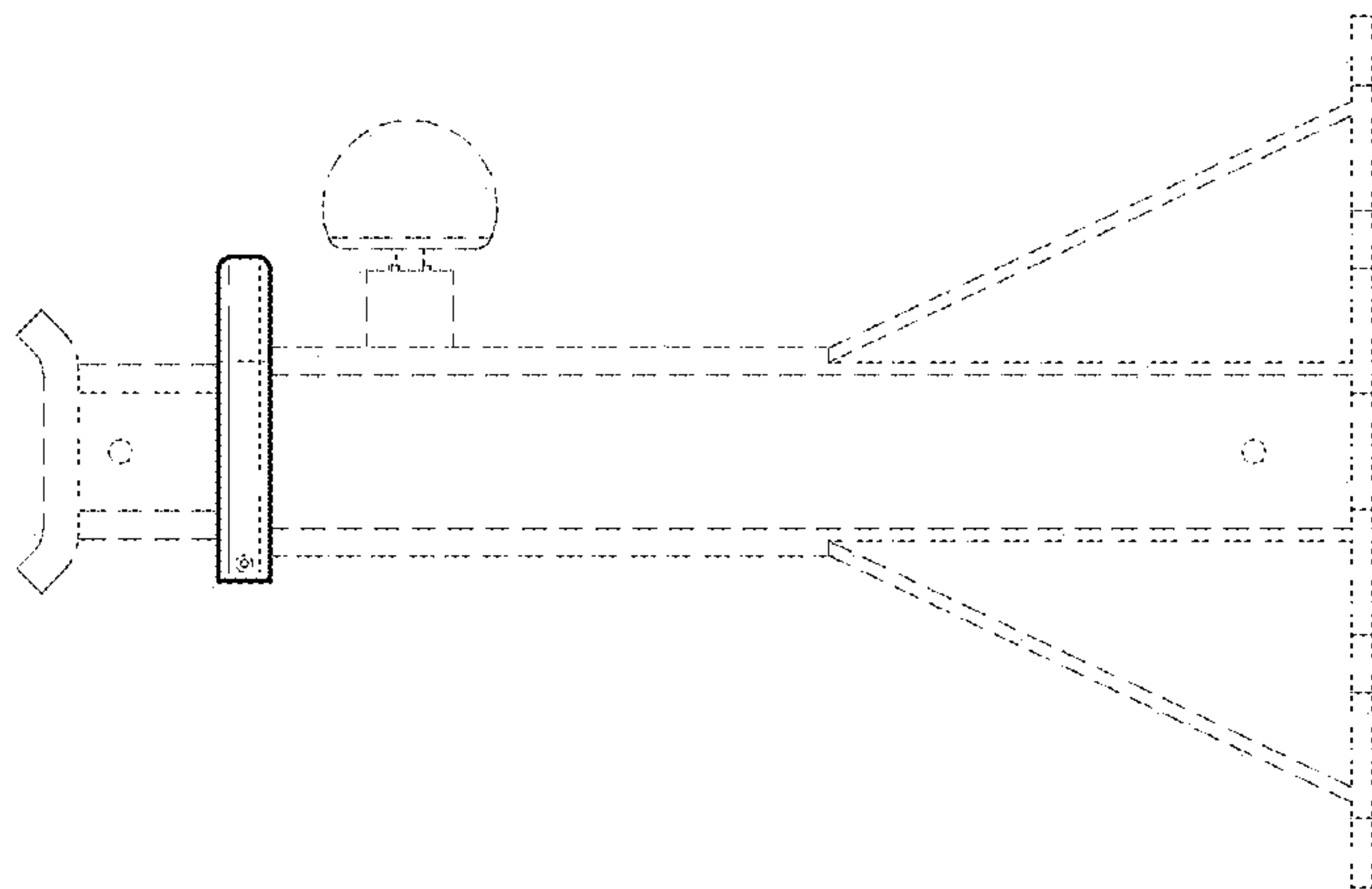


FIG. 5

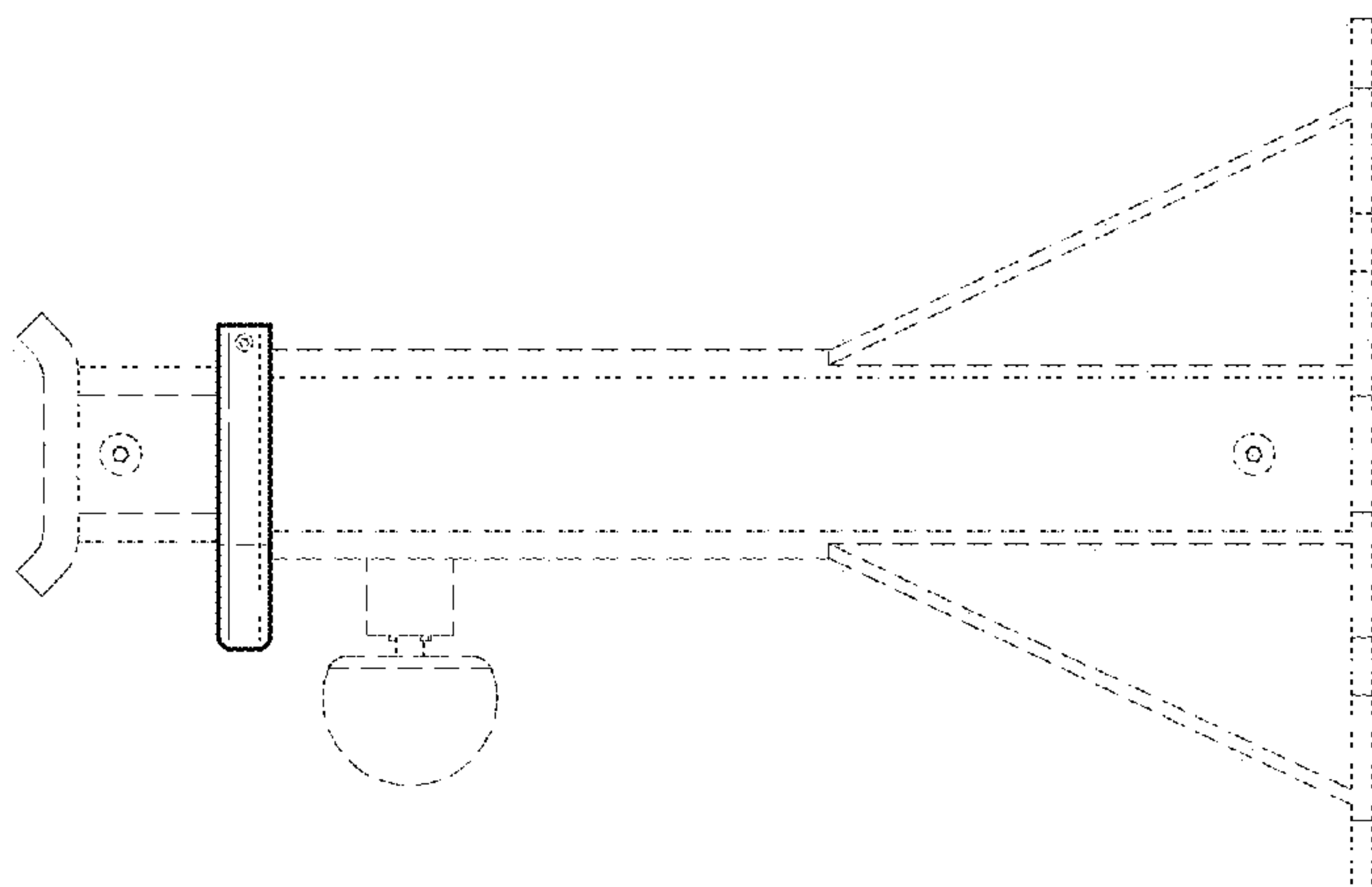


FIG. 4

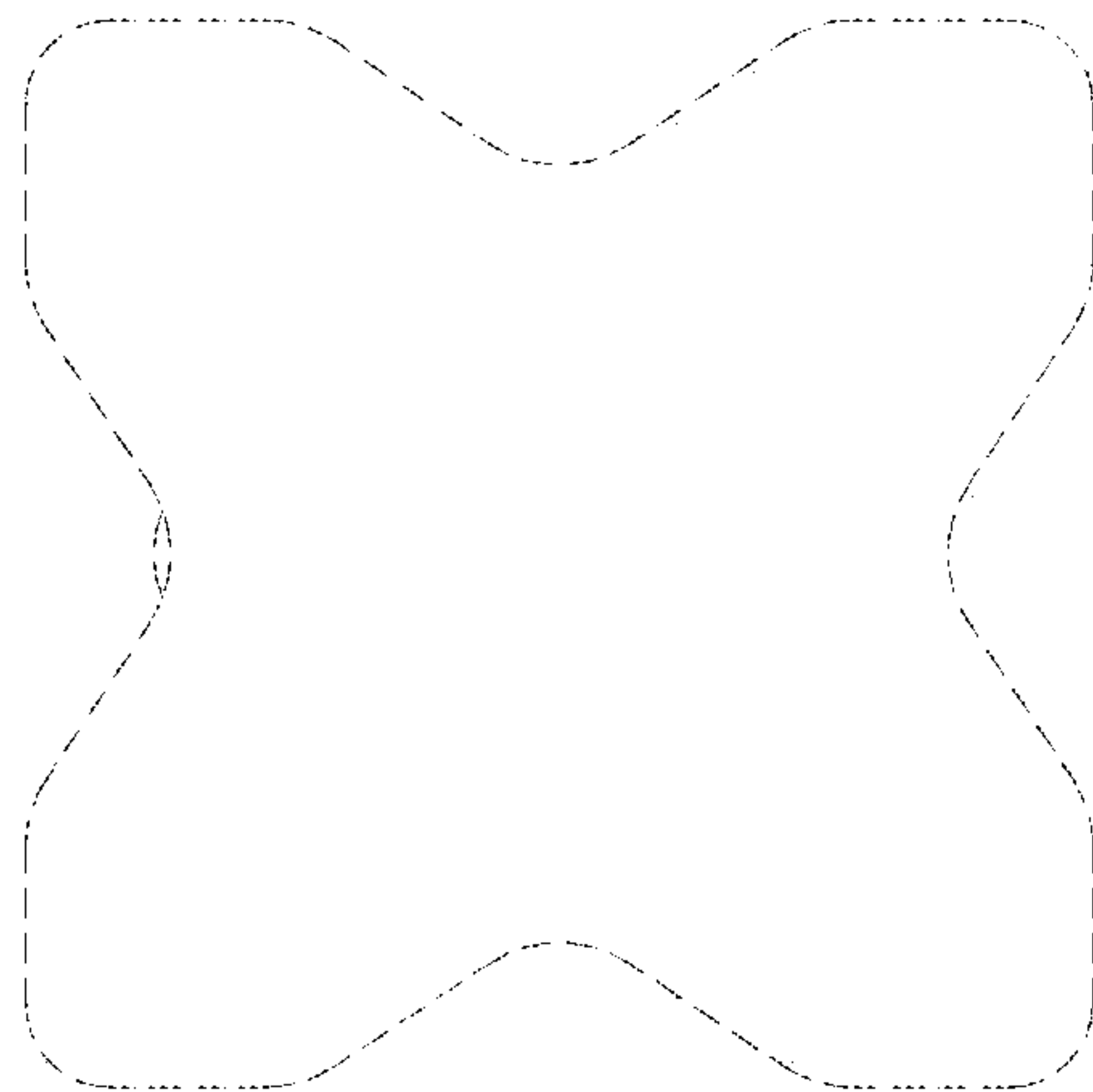


FIG. 7

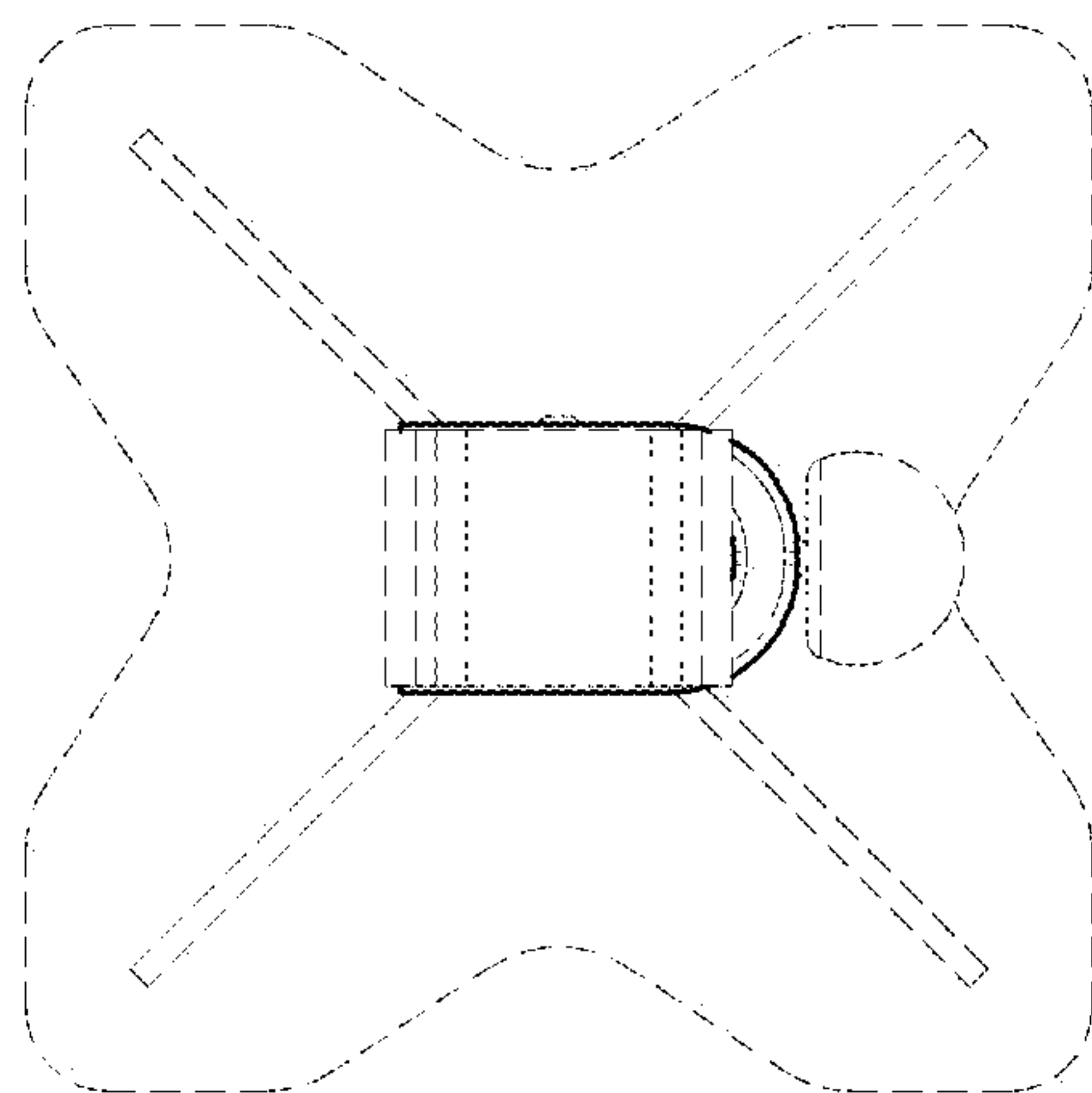


FIG. 6

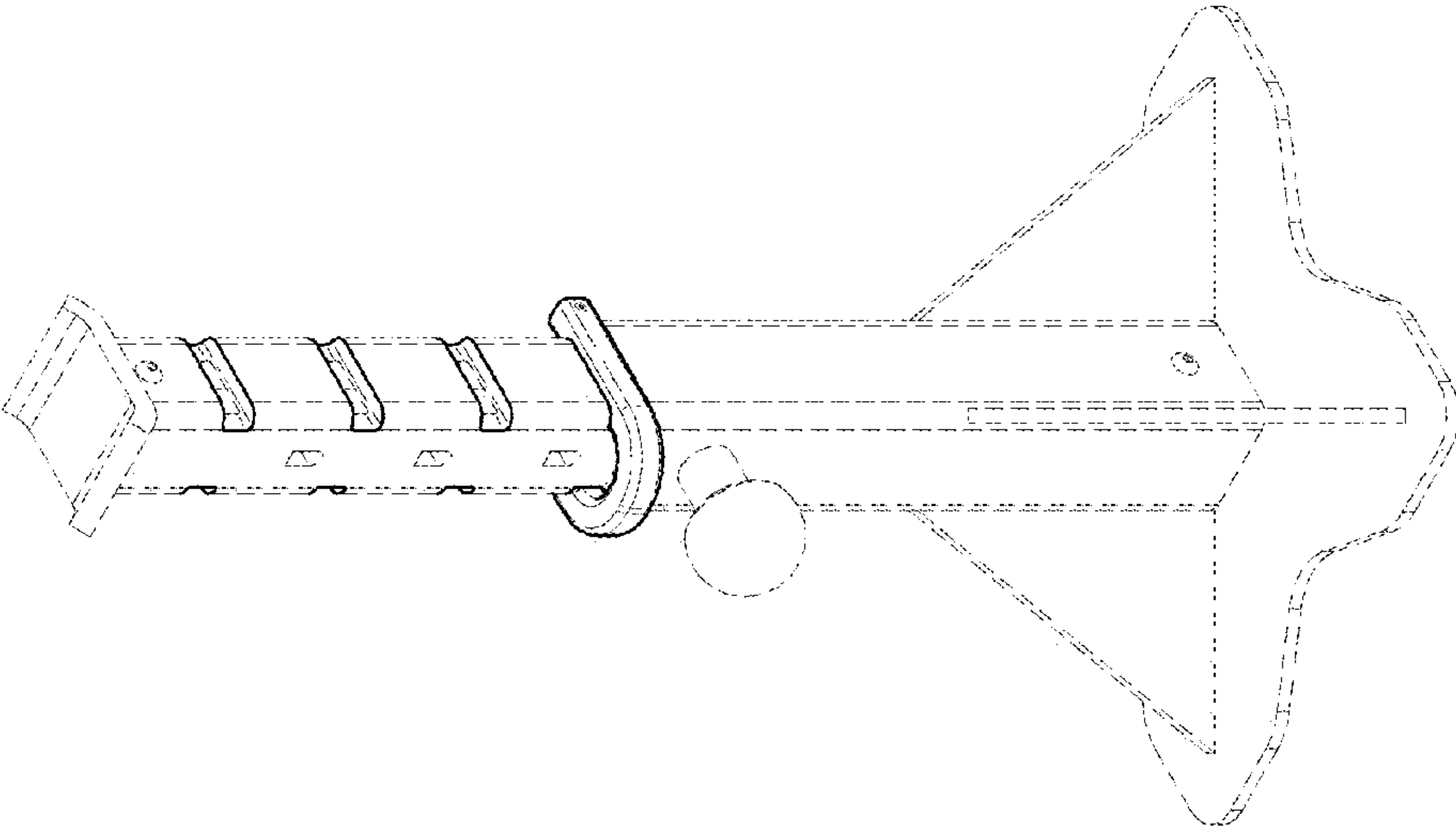


FIG. 8

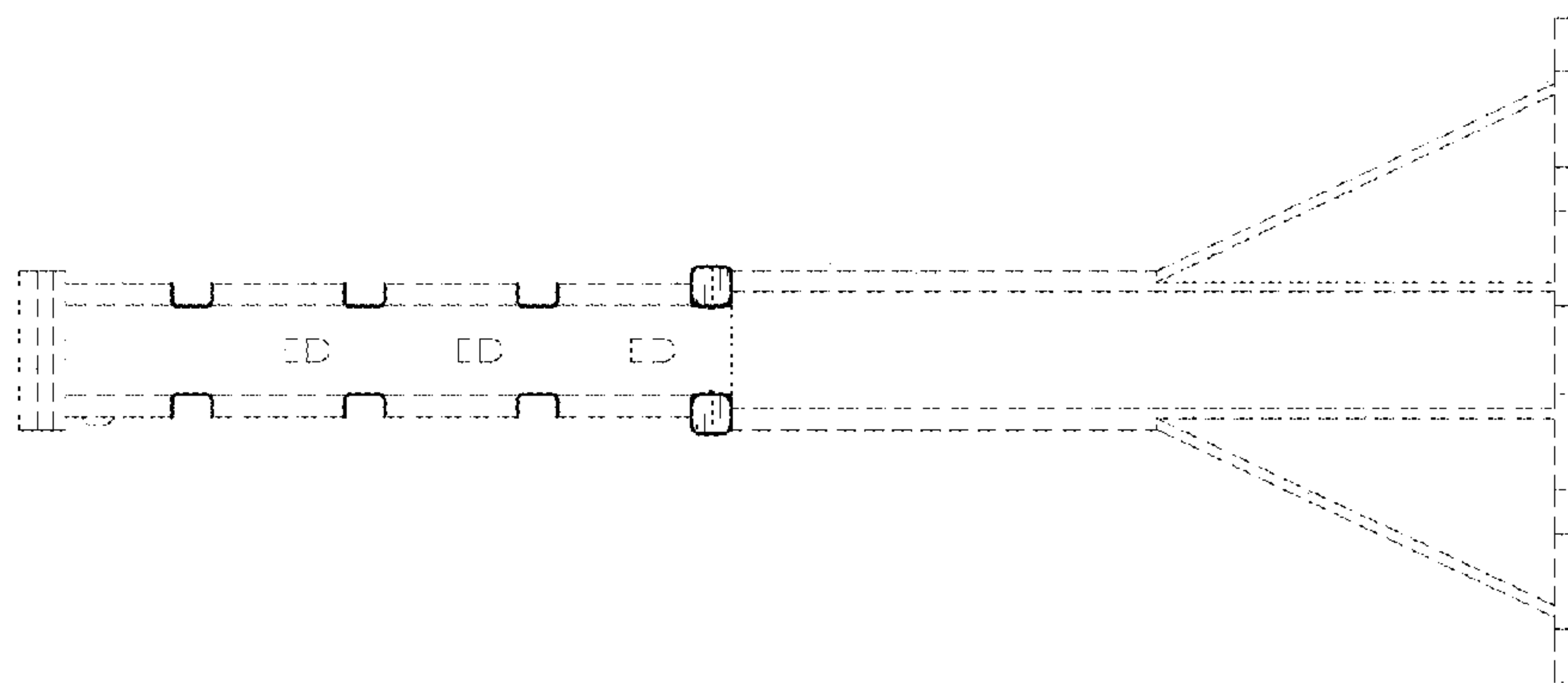


FIG. 10

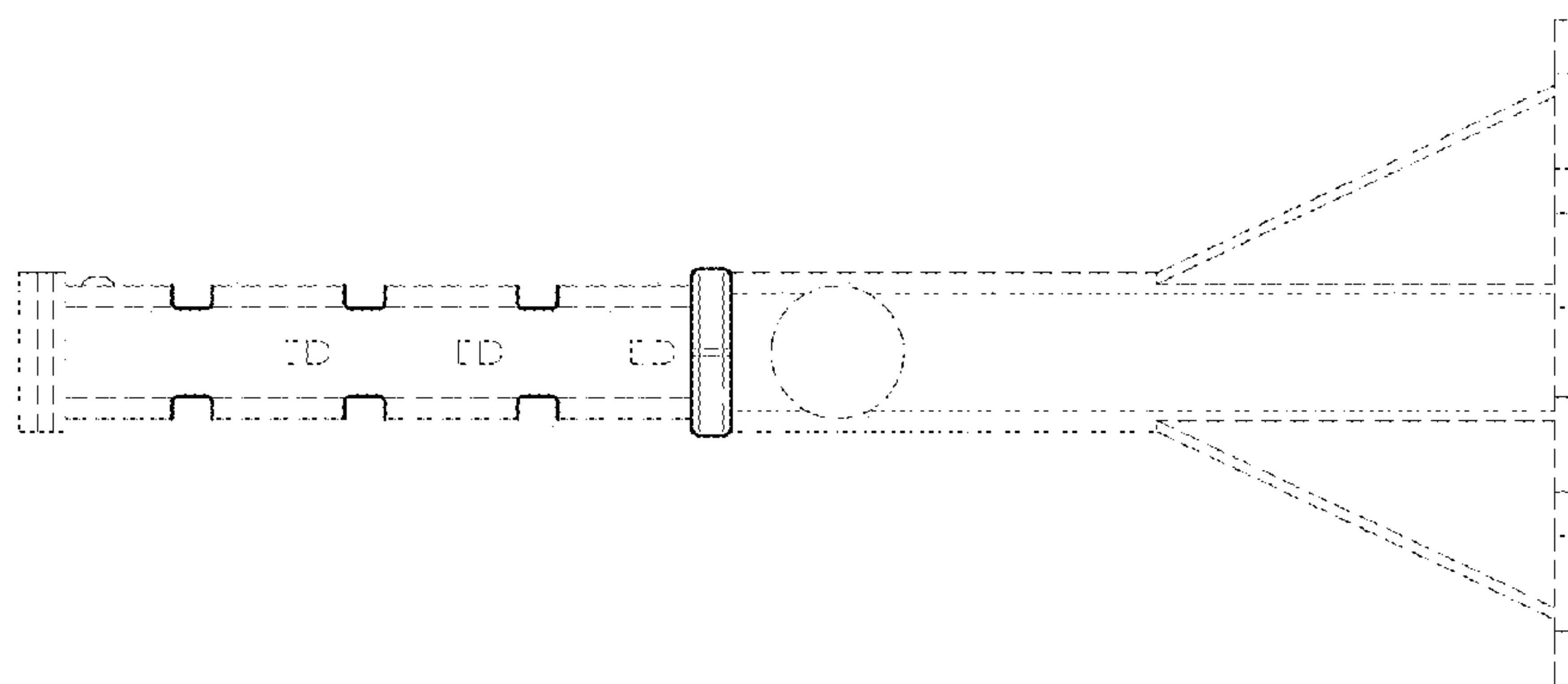


FIG. 9

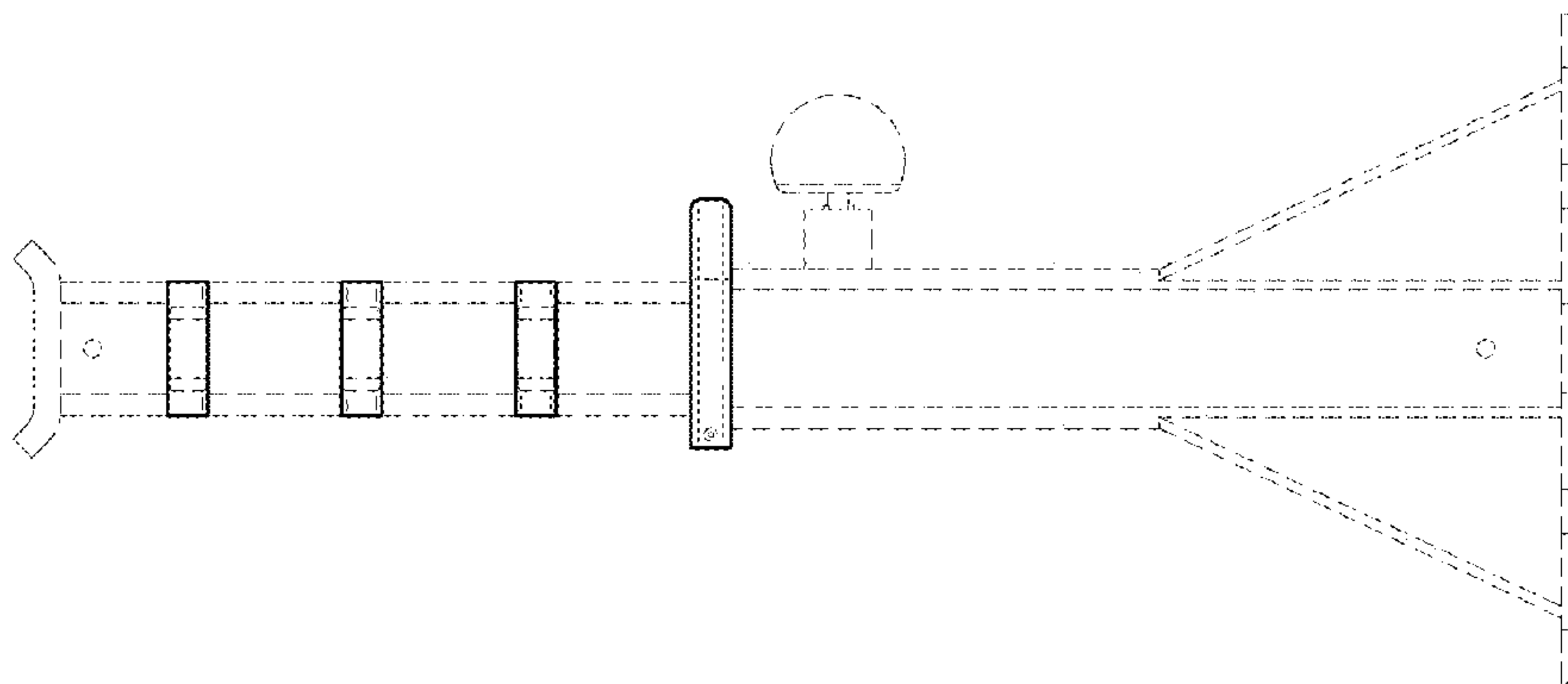


FIG. 12

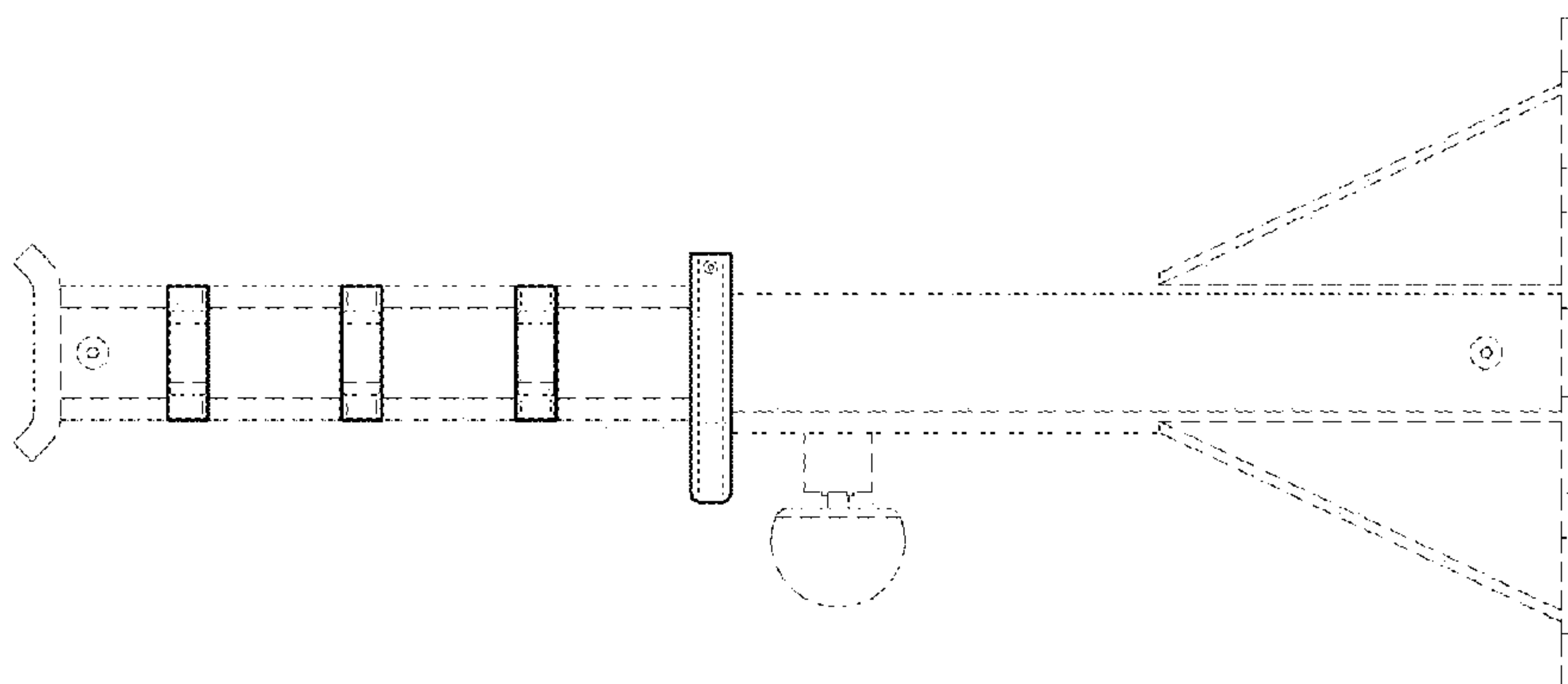


FIG. 11

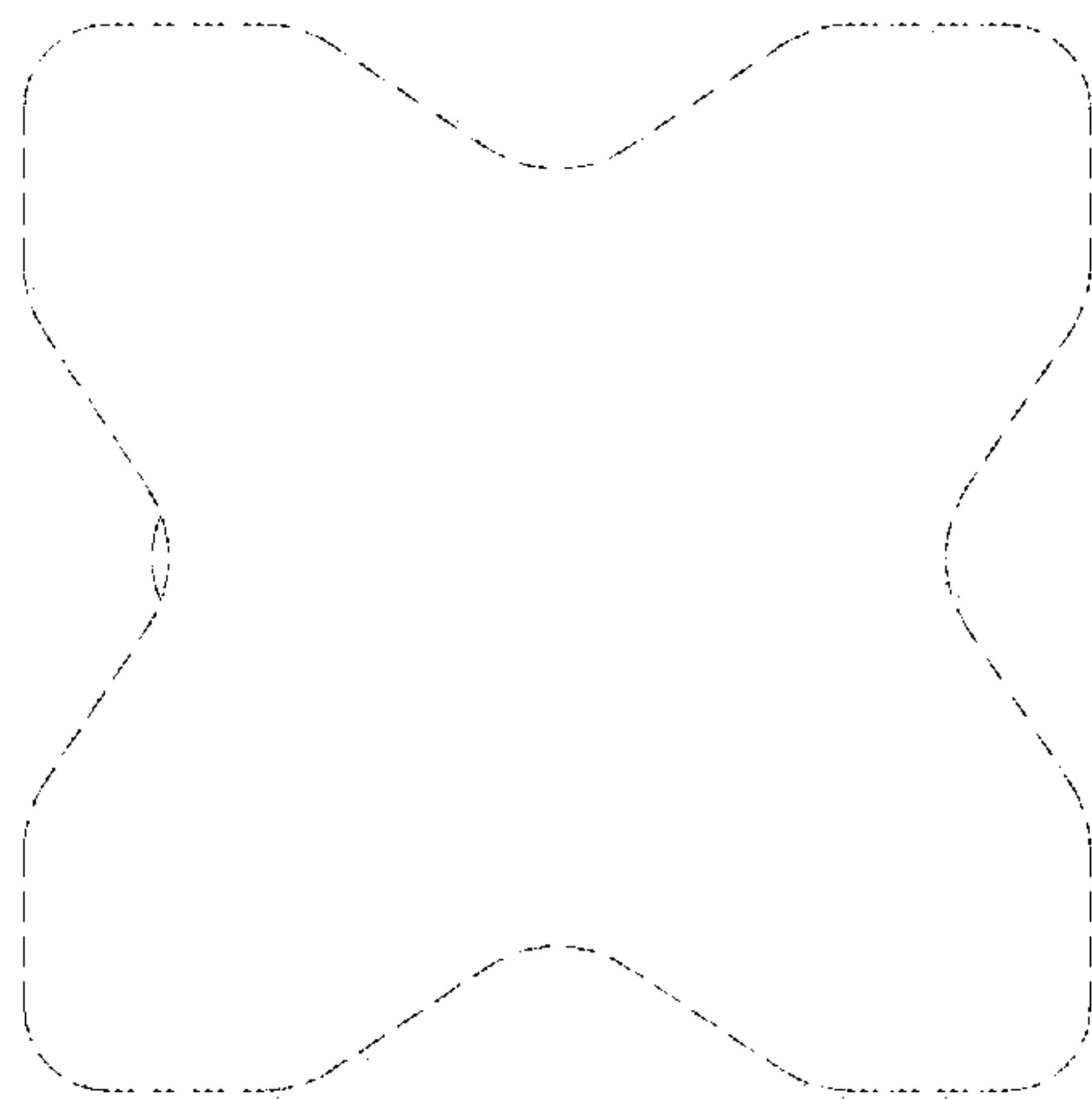


FIG. 14

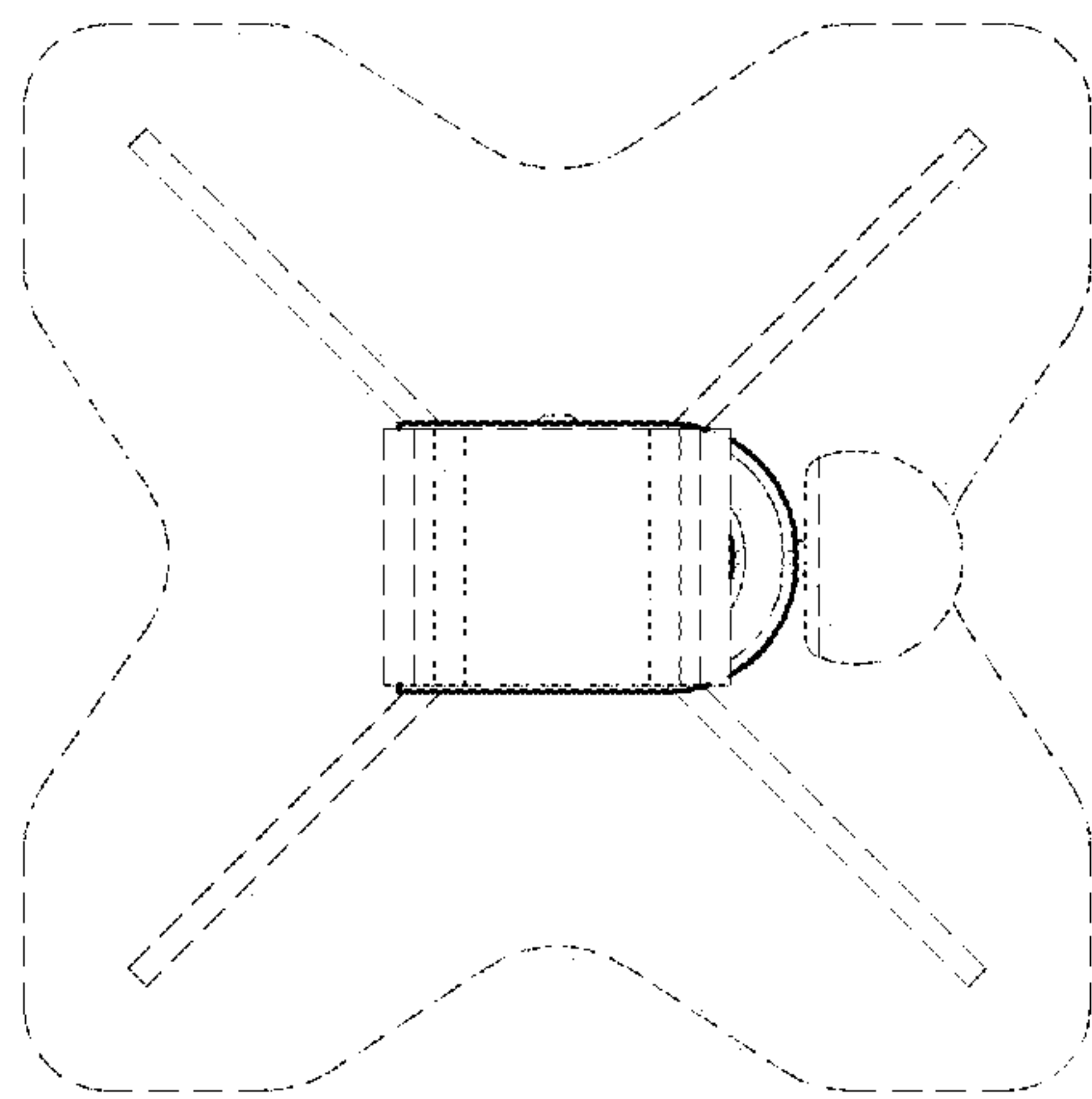


FIG. 13