



US00D746532S

(12) **United States Design Patent**
Meyer et al.

(10) **Patent No.:** **US D746,532 S**

(45) **Date of Patent:** **** Dec. 29, 2015**

(54) **SUPPORT FRAME FOR A CONVEYOR
DEVICE**

(56) **References Cited**

U.S. PATENT DOCUMENTS

(71) Applicant: **Mettler-Toledo Garvens GmbH**,
Giesen (DE)

(72) Inventors: **Mario Meyer**, Langenhagen (DE); **Dirk
Bettels**, Harsum (DE); **Axel Preussner**,
Hildesheim (DE); **Michael Kusche**,
Hildesheim (DE); **Frank Hamann**,
Giesen (DE); **Hendrik Breitbach**,
Dieburg (DE); **Torsten Richter**,
Darmstadt (DE); **Dieter Fornoff**,
Darmstadt (DE)

| | | | | | | |
|--------------|----|---|---------|-----------------|-------|-----------|
| D193,551 | S | * | 9/1962 | Golden | | D34/29 |
| 4,146,126 | A | * | 3/1979 | Mattos | | 198/861.1 |
| 4,723,647 | A | * | 2/1988 | Norton et al. | | 198/364 |
| 4,789,056 | A | * | 12/1988 | Bourbeau | | 198/823 |
| 5,529,171 | A | * | 6/1996 | Langenbeck | | 198/860.1 |
| D398,729 | S | * | 9/1998 | Hovstø et al | | D3/29 |
| D400,680 | S | * | 11/1998 | Rothfuss et al. | | D34/29 |
| D402,781 | S | * | 12/1998 | Helmsie et al. | | D34/29 |
| D418,656 | S | * | 1/2000 | Andersson | | D34/29 |
| 7,152,730 | B2 | * | 12/2006 | Gerke | | 198/860.3 |
| D670,064 | S | * | 10/2012 | Steen et al. | | D34/29 |
| D710,564 | S | * | 8/2014 | Yang | | D34/35 |
| 2013/0140144 | A1 | * | 6/2013 | Dowling | | 198/837 |
| 2013/0241142 | A1 | * | 9/2013 | Hashiuchi | | 271/264 |
| 2015/0114803 | A1 | * | 4/2015 | Meyer et al. | | 198/837 |

(73) Assignee: **Mettler-Toledo Garvens GmbH**,
Giesen (DE)

* cited by examiner

(**) Term: **14 Years**

Primary Examiner — Cynthia Ramirez

(21) Appl. No.: **29/497,077**

(74) *Attorney, Agent, or Firm* — Standley Law Group LLP

(22) Filed: **Jul. 21, 2014**

(57) **CLAIM**

The ornamental design for a support frame for a conveyor device, as shown.

(30) **Foreign Application Priority Data**

Feb. 13, 2014 (EM) 002404335

(51) **LOC (10) Cl.** **12-05**

(52) **U.S. Cl.**
USPC **D34/29**

(58) **Field of Classification Search**
USPC D34/29, 35; 198/837, 860.1, 861.1
CPC B65H 5/06; B65G 15/60; B65G 21/00;
B65G 2201/01; B65G 2201/06

See application file for complete search history.

DESCRIPTION

FIG. 1 is a front perspective view of the support frame for a conveyor device;
FIG. 2 is a front elevation view of the FIG. 1 device;
FIG. 3 is a right side elevation view of the FIG. 1 device;
FIG. 4 is a left side elevation view of the FIG. 1 device;
FIG. 5 is a top plan view of the FIG. 1 device;
FIG. 6 is a bottom plan view of the FIG. 1 device; and,
FIG. 7 is a rear elevation view of the FIG. 1 device.
The broken lines in FIG. 6 is included for the purpose of illustrating environment and forms no part of the claimed design.

1 Claim, 7 Drawing Sheets

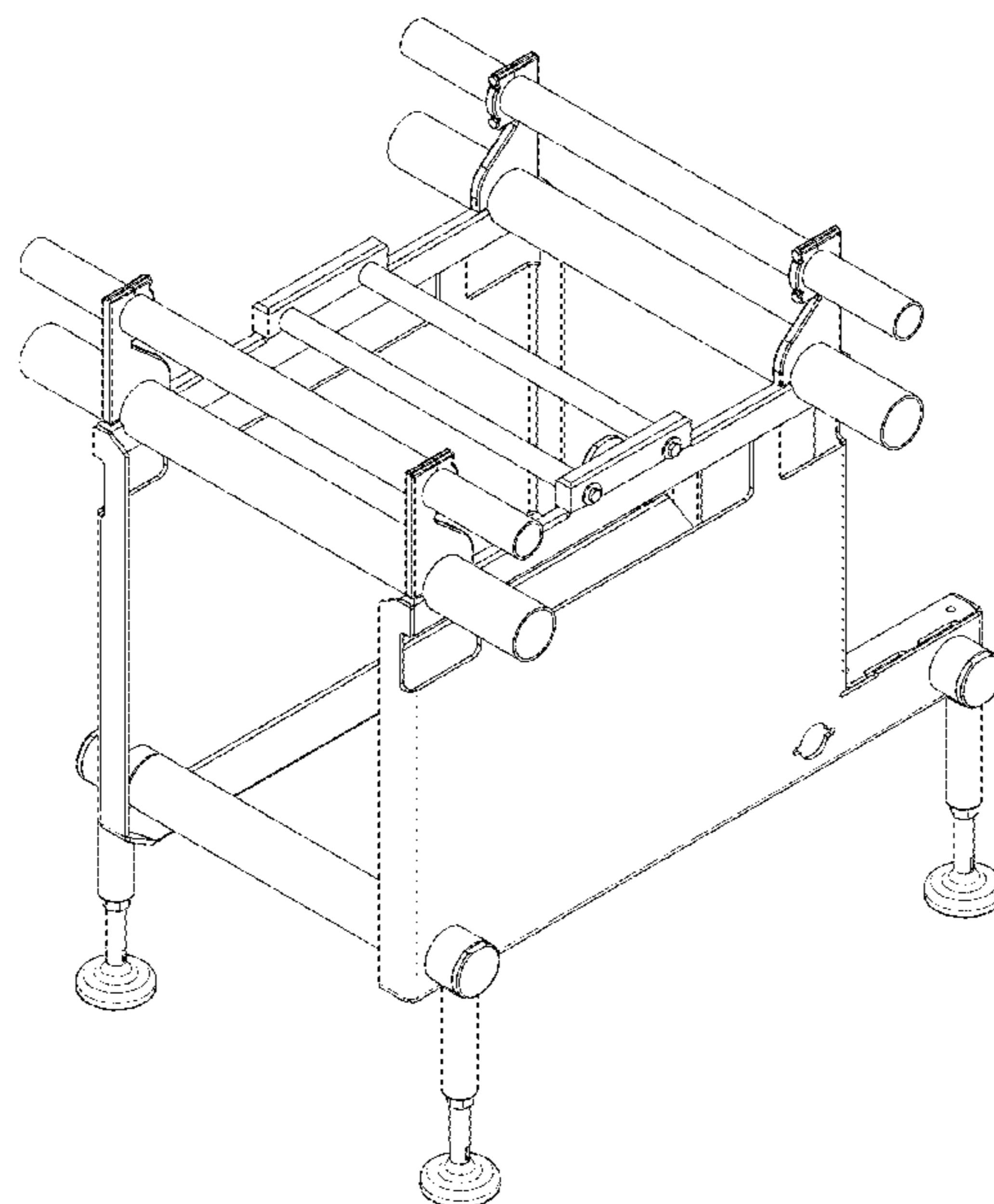


Fig. 1

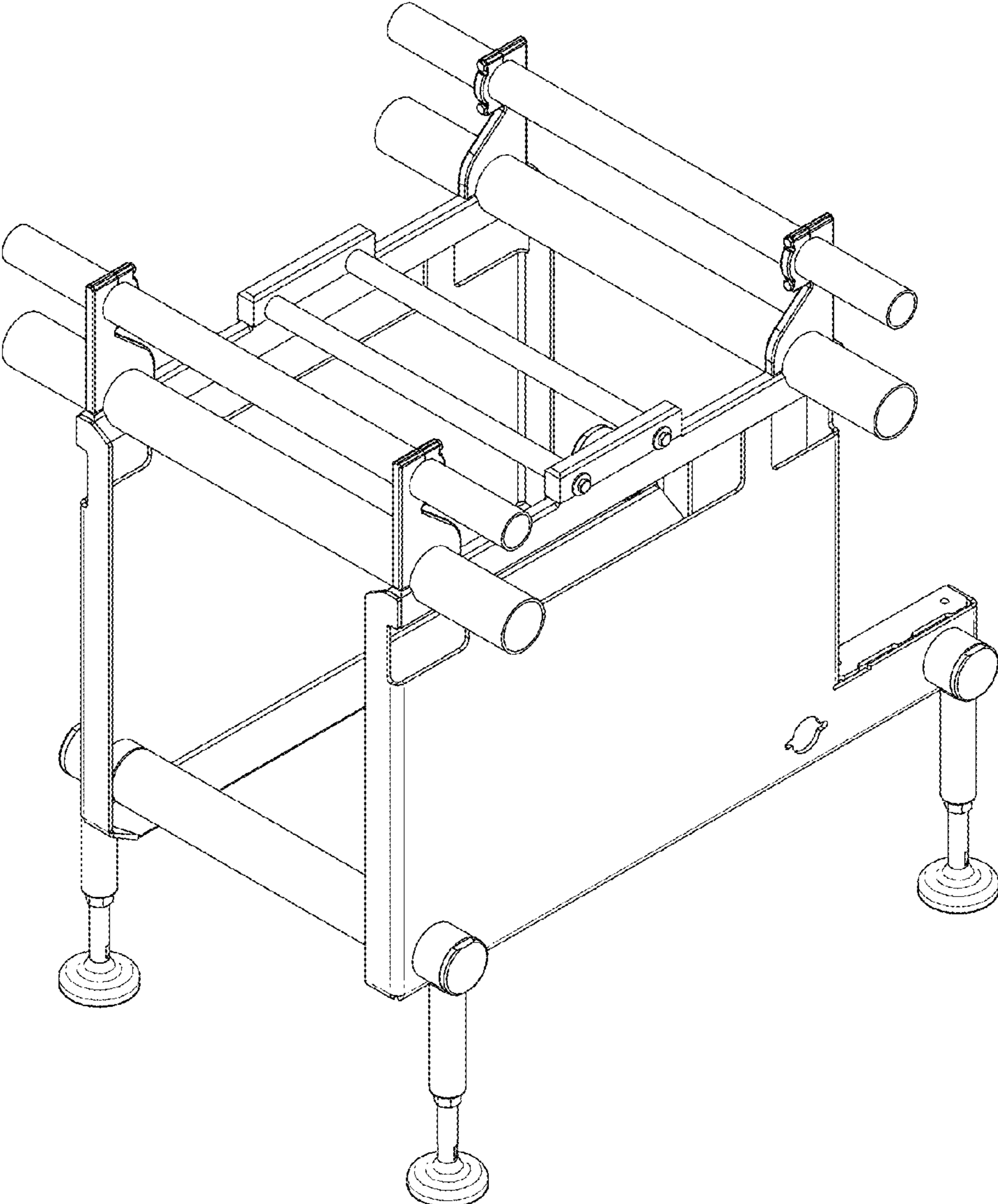


Fig. 2

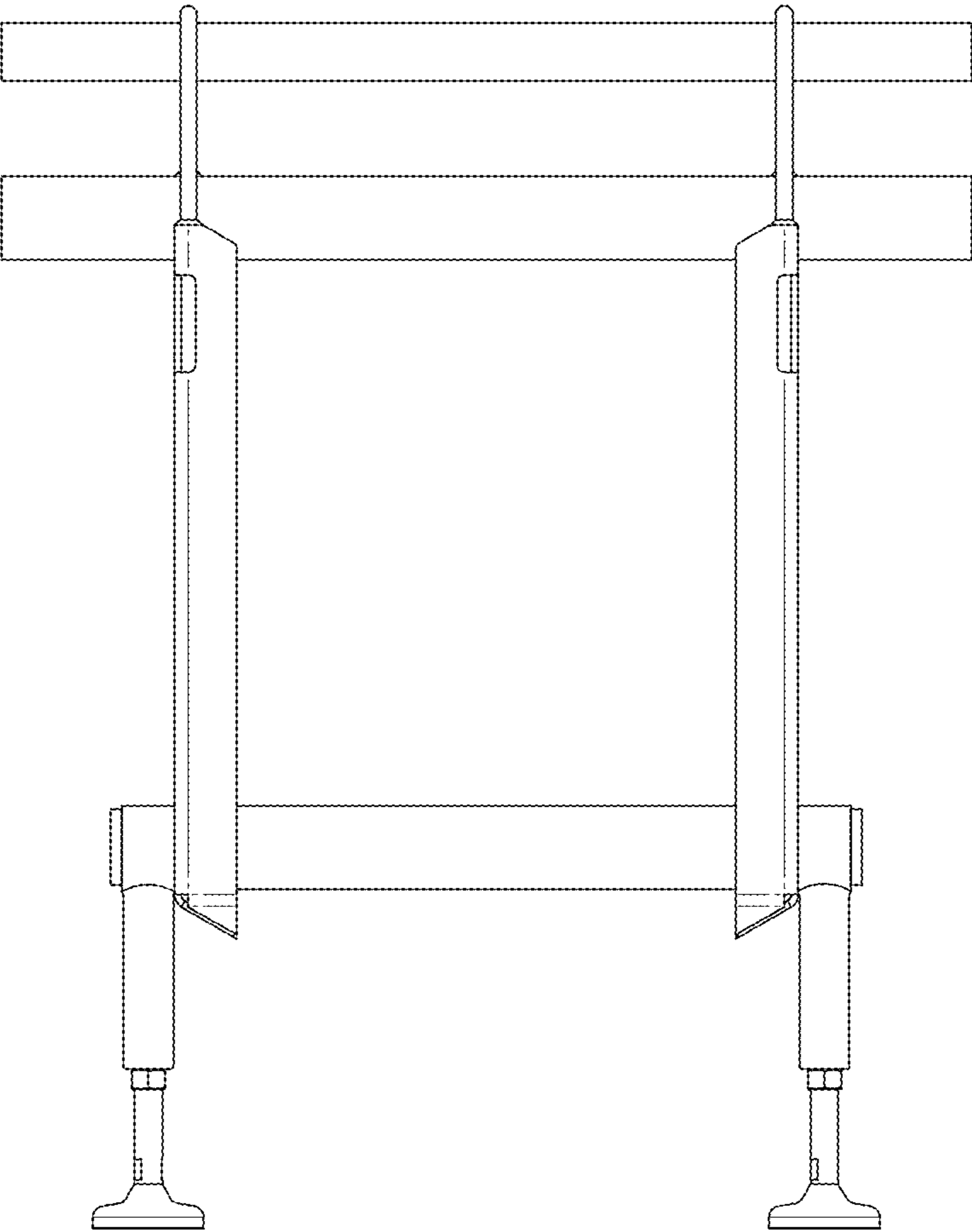


Fig. 3

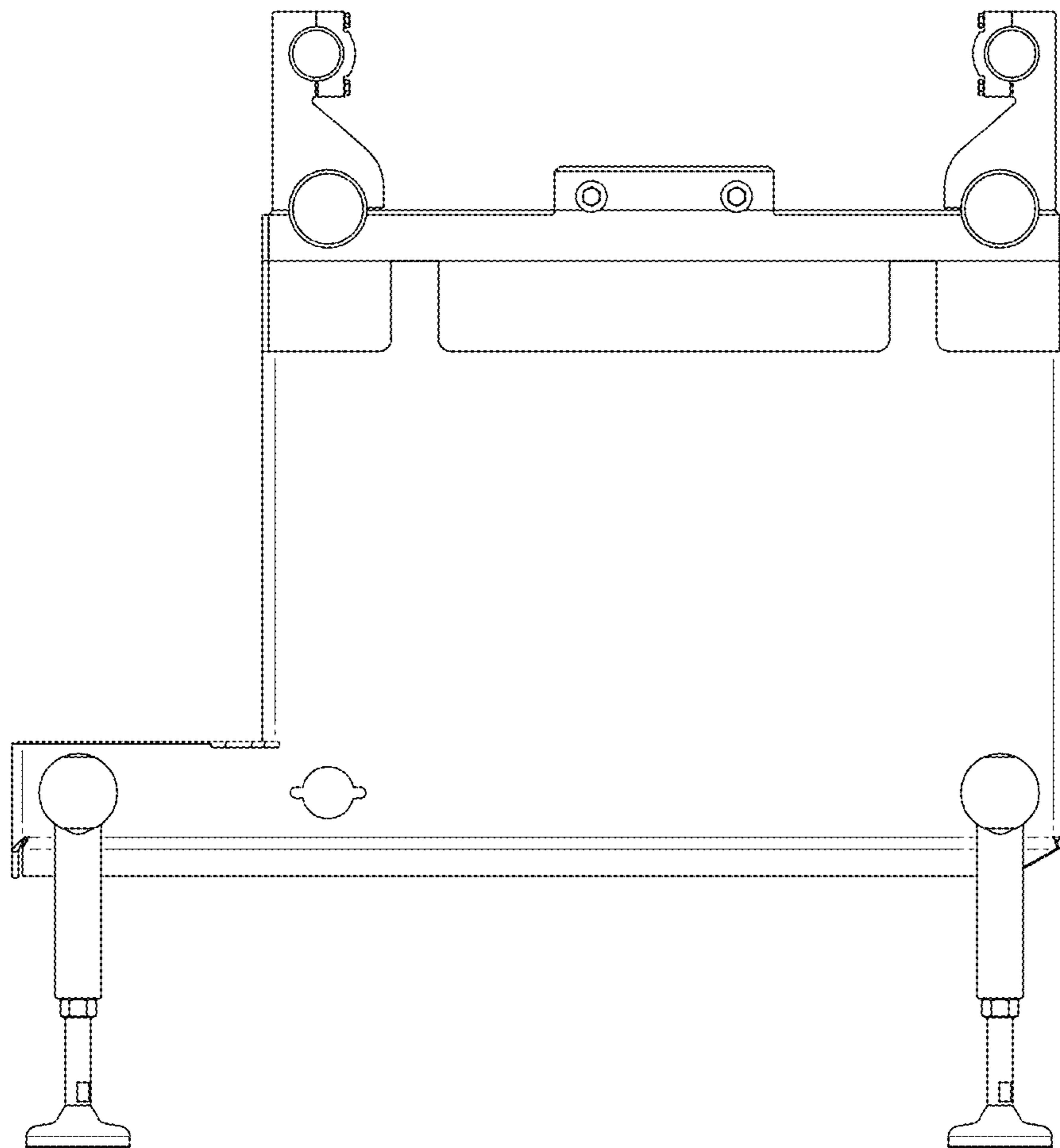


Fig. 4

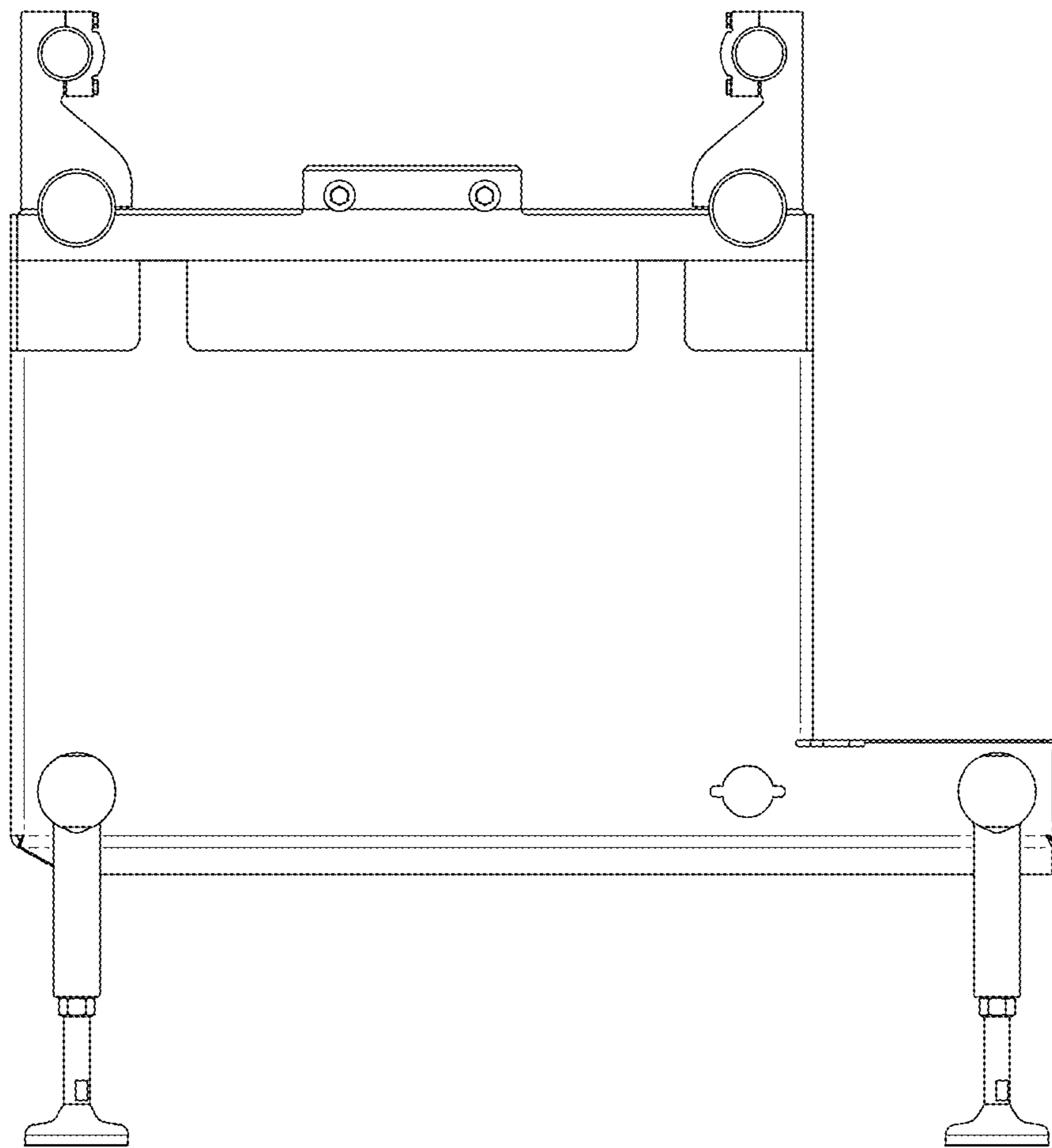


Fig. 5

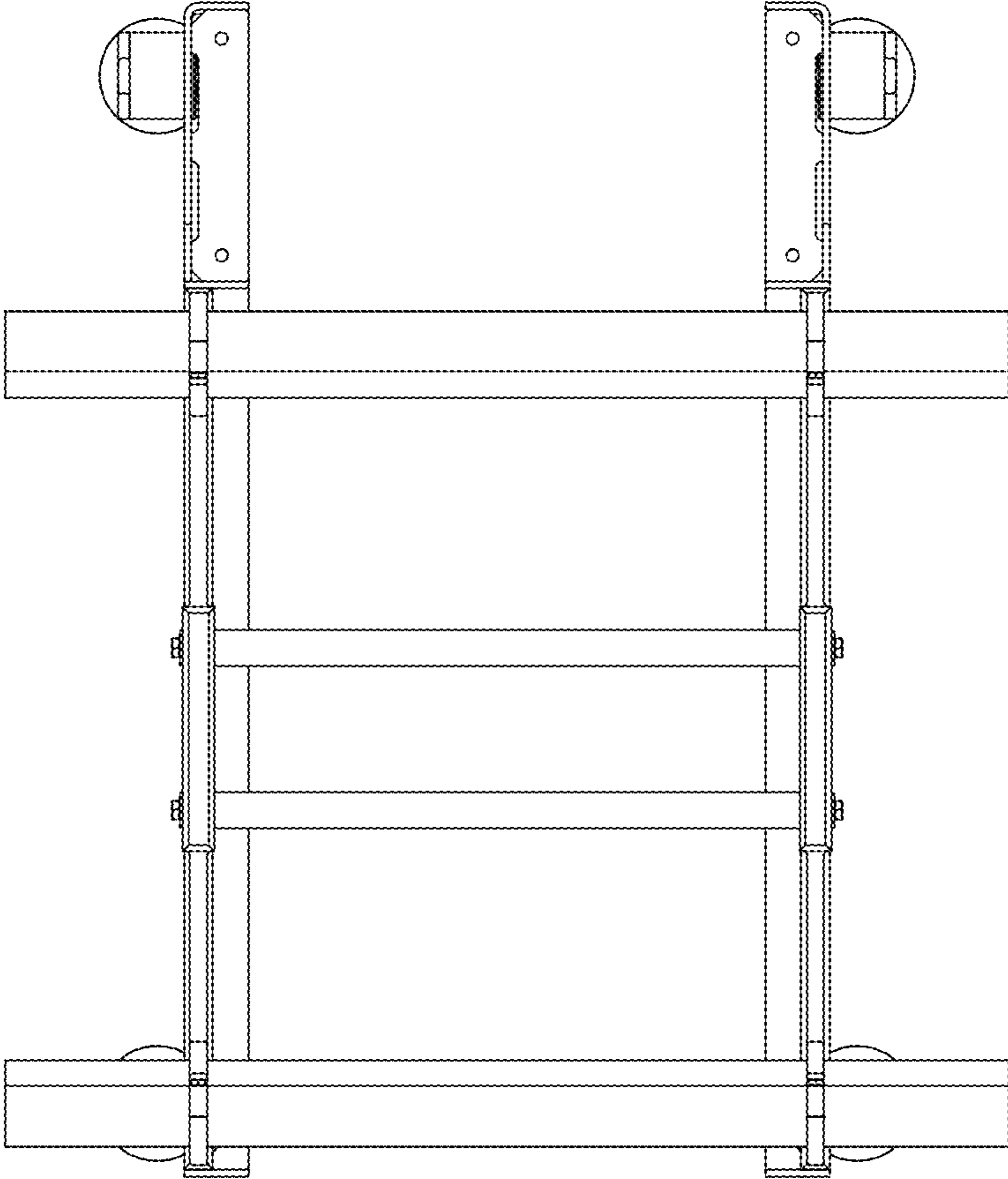


Fig. 6

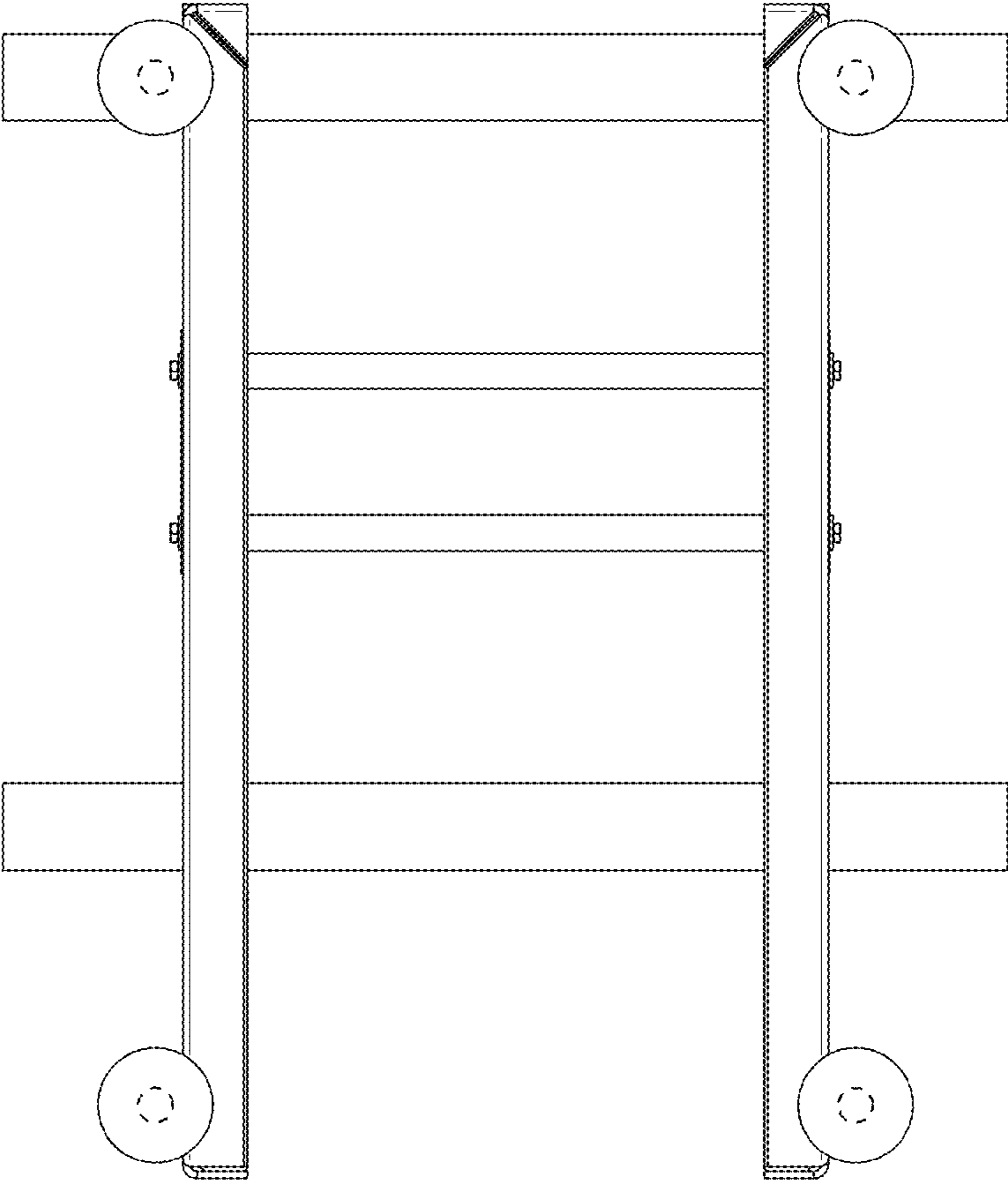


Fig. 7

