

US00D746531S

(12) **United States Design Patent**
Barclift et al.

(10) **Patent No.:** **US D746,531 S**

(45) **Date of Patent:** **** Dec. 29, 2015**

(54) **SANITARY COVER FOR SHOPPING CART HANDLE BAR**

(71) Applicants: **Rae-Shan Barclift**, East Orange, NJ (US); **Katherine Barclift**, East Orange, NJ (US)

(72) Inventors: **Rae-Shan Barclift**, East Orange, NJ (US); **Katherine Barclift**, East Orange, NJ (US)

(**) Term: **14 Years**

(21) Appl. No.: **29/514,736**

(22) Filed: **Jan. 15, 2015**

(51) **LOC (10) Cl.** **12-02**

(52) **U.S. Cl.**
USPC **D34/27**

(58) **Field of Classification Search**
USPC D34/27, 12-26; 40/308; D12/401; 280/33.992, 33.991, 33.993; 428/43
CPC B62B 3/14; B62B 3/144; B62B 3/1452; B62B 7/008; B62B 2207/02
See application file for complete search history.

(56) **References Cited**

U.S. PATENT DOCUMENTS

5,215,319	A	6/1993	Farris	
5,722,672	A	3/1998	Frederick	
6,065,764	A	5/2000	Moseley	
6,543,794	B1	4/2003	Tyree	
D496,322	S *	9/2004	Farney et al. D12/401
6,832,766	B2	12/2004	Stokes	
6,869,085	B2	3/2005	Pettigrew	
7,163,211	B2	1/2007	Alvarez	

7,281,718	B2	10/2007	Malchow	
8,714,215	B2	5/2014	Badgley et al.	
2002/0150714	A1 *	10/2002	Digangi 428/43
2004/0135329	A1 *	7/2004	Stokes 280/33.992
2005/0029760	A1 *	2/2005	Lohman 280/33.992
2006/0202438	A1	9/2006	Helmy et al.	
2008/0303230	A1	12/2008	Somberg	
2011/0148056	A1 *	6/2011	Niernberger 280/33.992

* cited by examiner

Primary Examiner — Cynthia Ramirez

(74) *Attorney, Agent, or Firm* — Andrew Alia

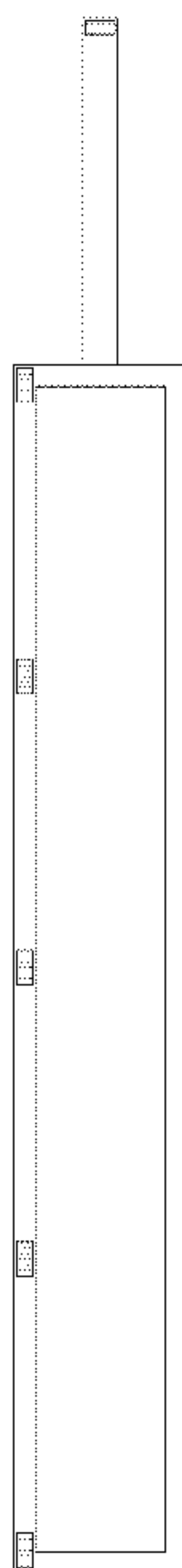
(57) **CLAIM**

The ornamental design for a sanitary cover for shopping cart handle bar, as shown and described.

DESCRIPTION

FIG. 1 is an unfolded front plan view of a sanitary cover for shopping cart handle bar showing our new design;
FIG. 2 is an unfolded top view thereof;
FIG. 3 is an unfolded bottom view thereof;
FIG. 4 is an unfolded rear view thereof;
FIG. 5 is an unfolded side view thereof;
FIG. 6 is an unfolded front perspective view thereof;
FIG. 7 is an unfolded rear perspective view thereof;
FIG. 8 is a folded rolled up perspective view thereof;
FIG. 9 is a folded rolled up perspective view thereof;
FIG. 10 is a folded front view thereof;
FIG. 11 is a folded left side view thereof;
FIG. 12 is a folded right side view thereof;
FIG. 13 is a folded top side view thereof; and,
FIG. 14 is a folded bottom side view thereof.

1 Claim, 12 Drawing Sheets



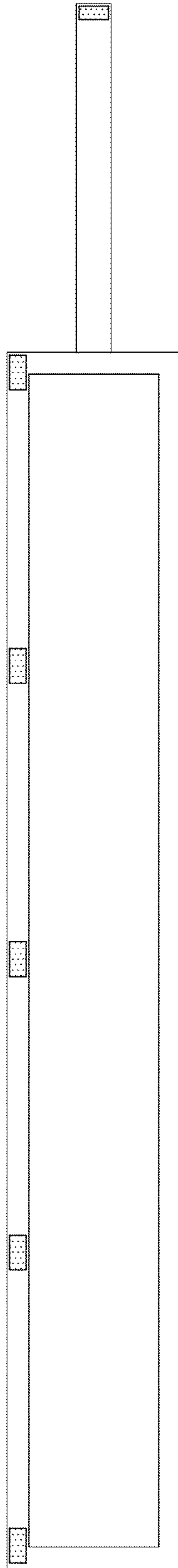


FIG. 1

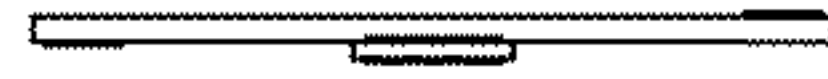


FIG. 2



FIG. 3

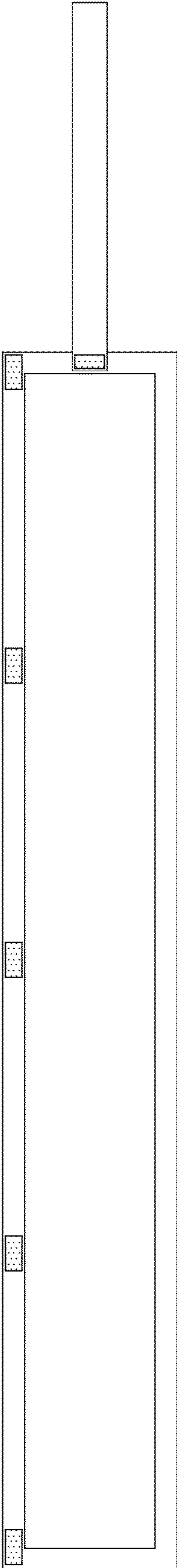


FIG. 4

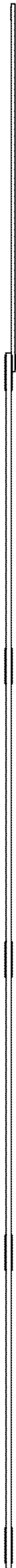


FIG. 5

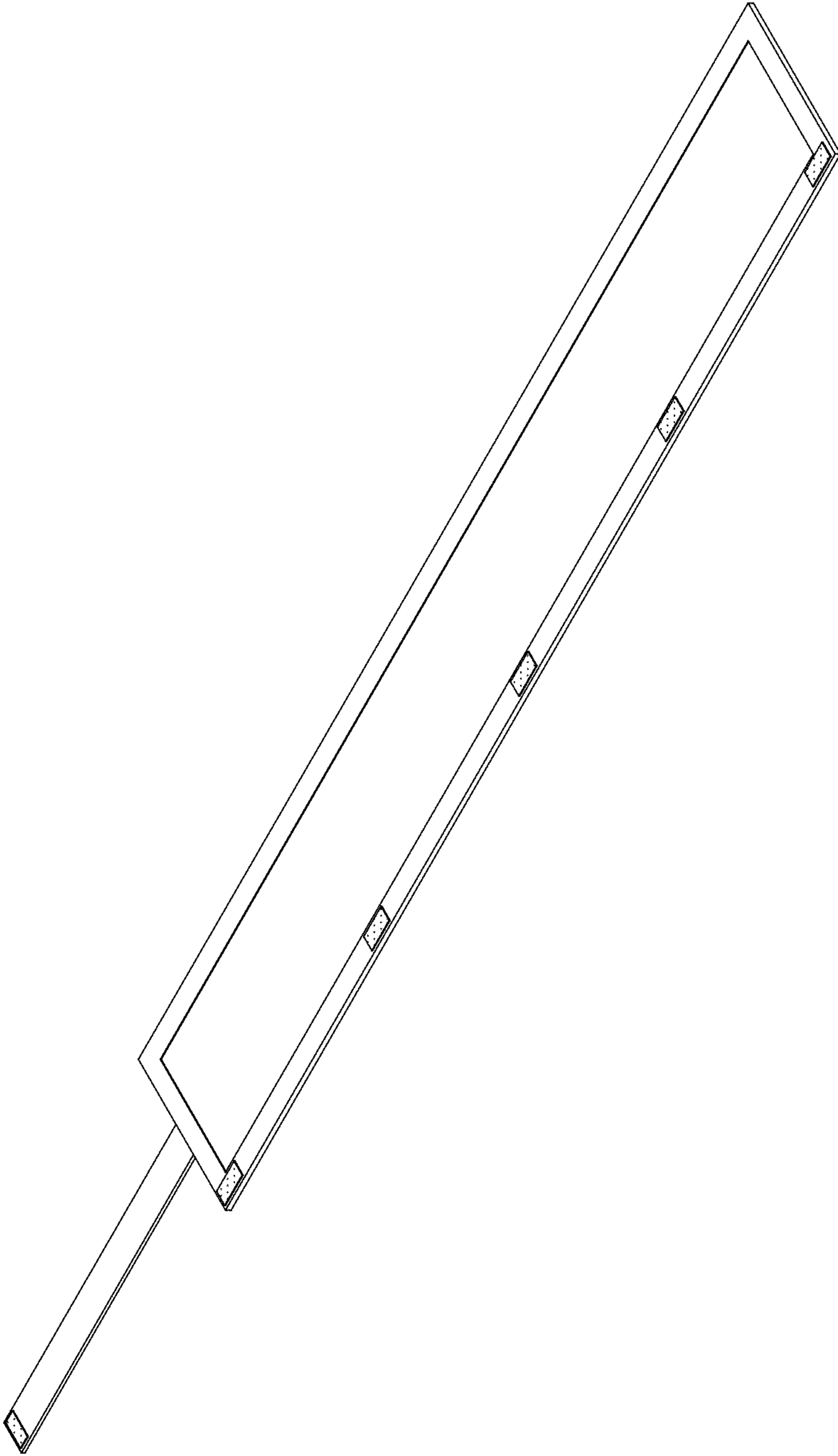


FIG. 6

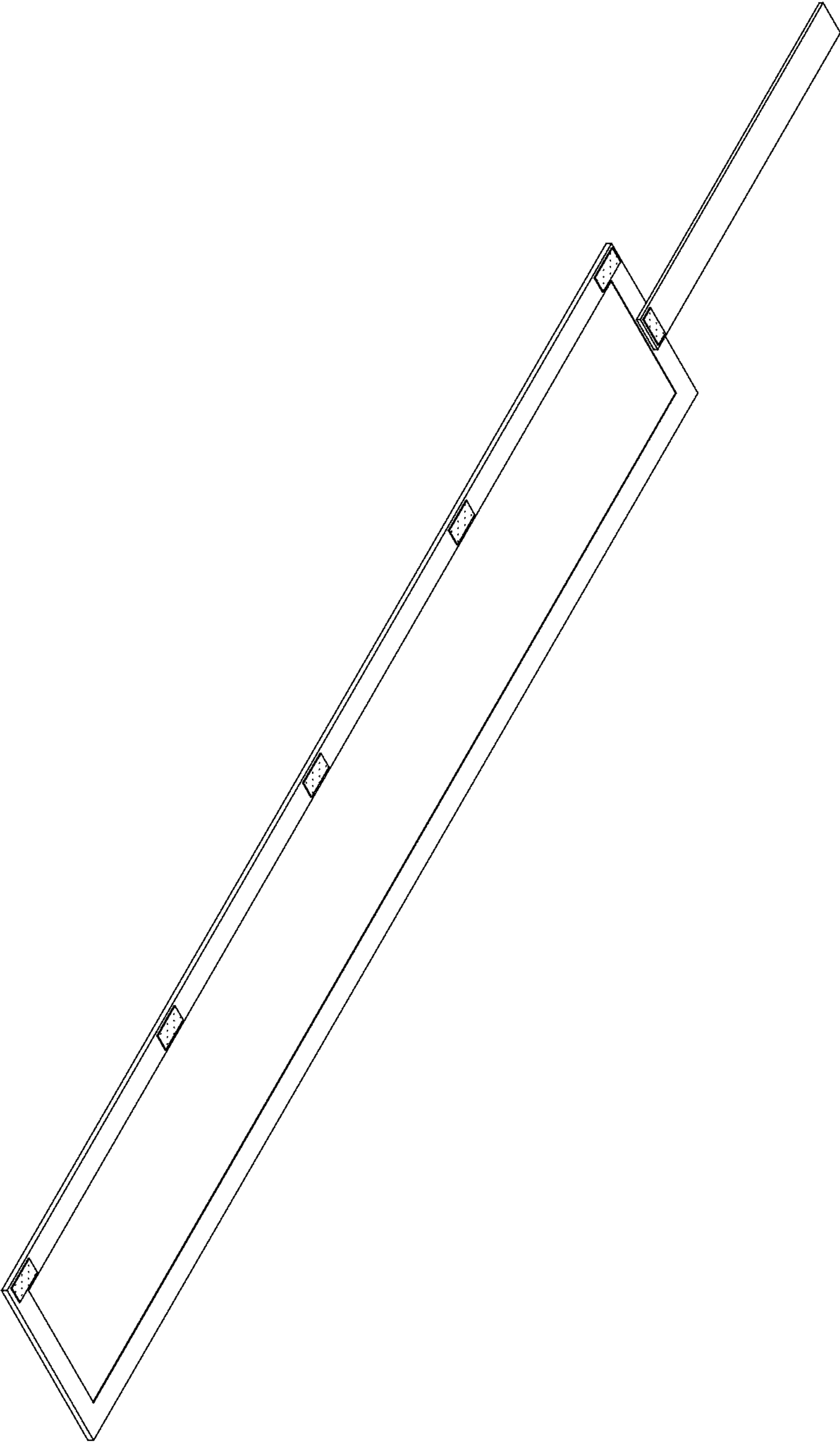


FIG. 7

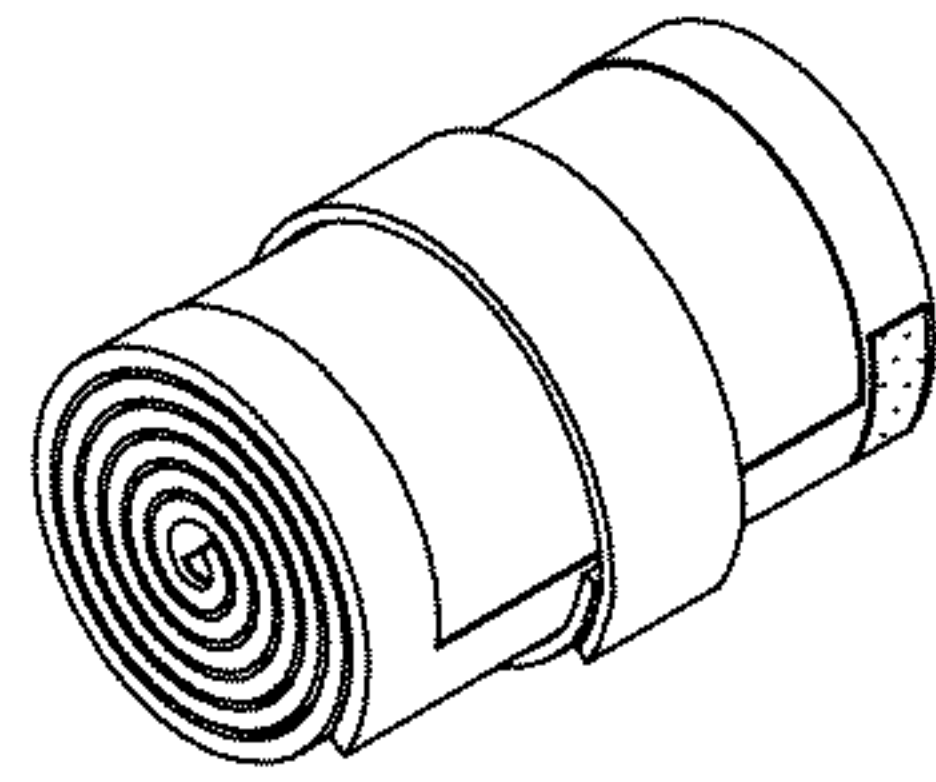


FIG. 8

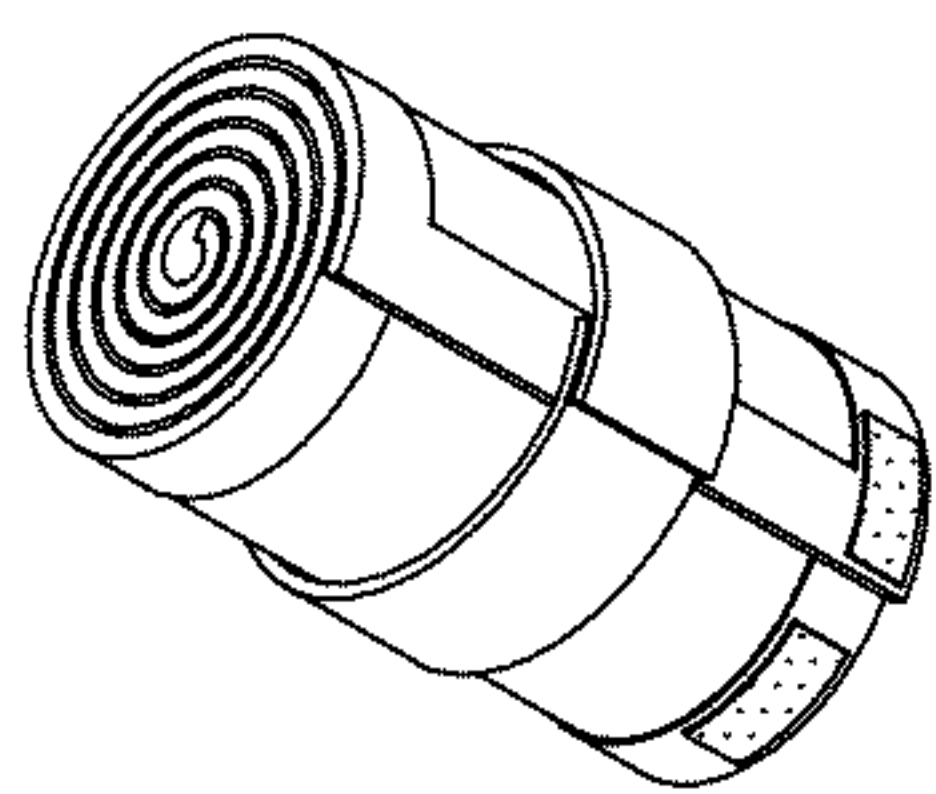


FIG. 9

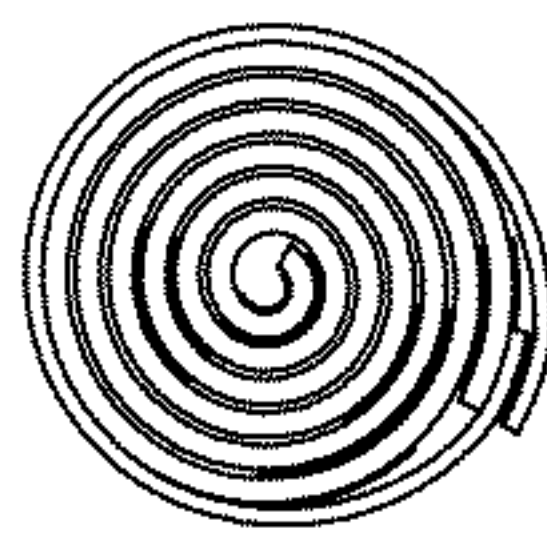


FIG. 10

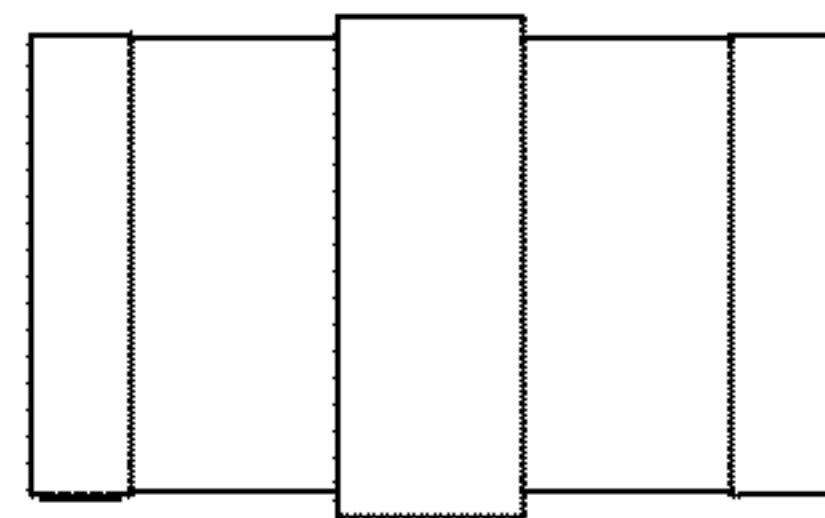


FIG. 11

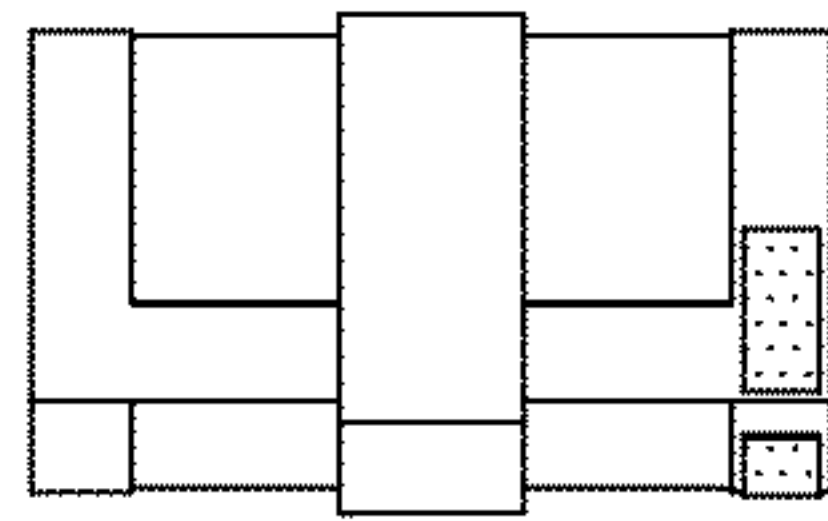


FIG. 12

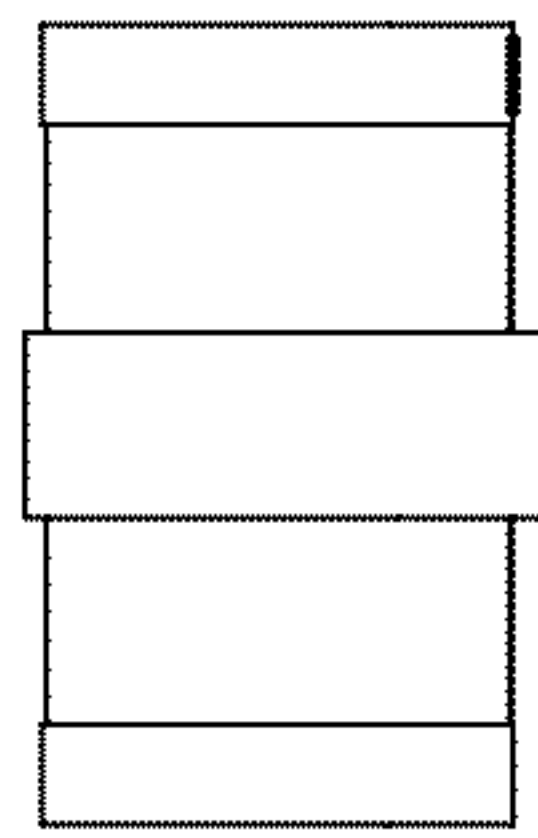


FIG. 13

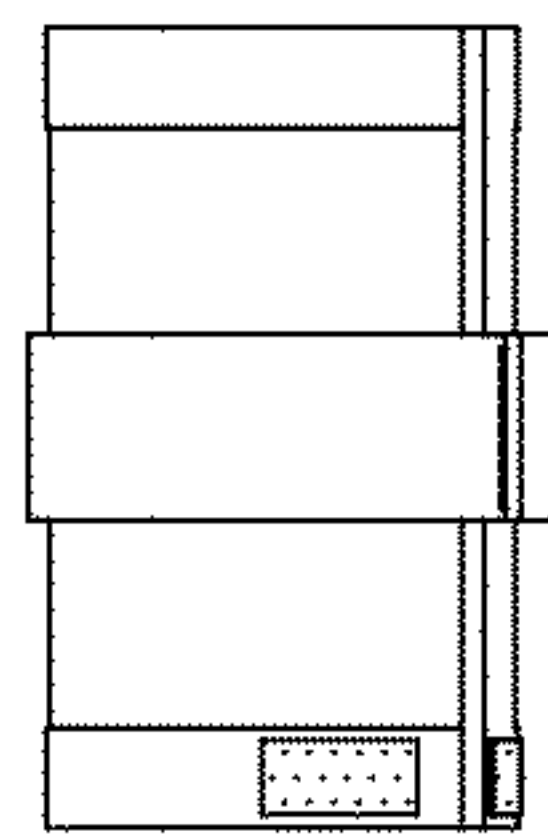


FIG. 14