



US00D746530S

(12) **United States Design Patent**
Marchant

(10) **Patent No.:** **US D746,530 S**
(45) **Date of Patent:** **** Dec. 29, 2015**

- (54) **HAND TRUCK FOR YARD EQUIPMENT**
- (71) Applicant: **Thomas E. Marchant**, Providence, RI (US)
- (72) Inventor: **Thomas E. Marchant**, Providence, RI (US)
- (**) Term: **14 Years**
- (21) Appl. No.: **29/501,833**
- (22) Filed: **Sep. 9, 2014**

D333,543	S	*	2/1993	Rodriguez	D34/24
5,380,033	A		1/1995	Harling		
6,722,672	B2		4/2004	Cates et al.		
D531,376	S		10/2006	Tetradis		
D592,374	S	*	5/2009	Zenkus	D34/24
7,686,260	B1		3/2010	Tetradis		
8,167,323	B1	*	5/2012	Salvucci, Jr.	B62B 3/04 280/47.18
D707,010	S	*	6/2014	Ficociello	D34/27
D708,411	S	*	7/2014	Schnautz	D34/14
D715,511	S	*	10/2014	Okwumabua	D34/12
2012/0074665	A1	*	3/2012	Salvucci, Jr.	B62B 3/104 280/47.24

* cited by examiner

Related U.S. Application Data

- (63) Continuation of application No. 13/095,409, filed on Apr. 27, 2011, now abandoned.
- (51) **LOC (10) Cl.** **12-02**
- (52) **U.S. Cl.**
USPC **D34/26**
- (58) **Field of Classification Search**
USPC D34/12-27; 280/62, 47.24, 47.131, 280/47.29, 47.18, 47.14, 47.27, 652, 651, 280/79.11, 79.15
CPC B62B 1/262; B62B 1/264; B62B 1/14; B62B 1/12; B62B 1/10; B62B 1/1415; B62B 2202/406; B62B 67/1233
See application file for complete search history.

Primary Examiner — Cynthia Ramirez

(74) *Attorney, Agent, or Firm* — Robert C. Montgomery; Montgomery Patent and Design

(57) **CLAIM**

The ornamental design for a hand truck for yard equipment, as shown and described.

DESCRIPTION

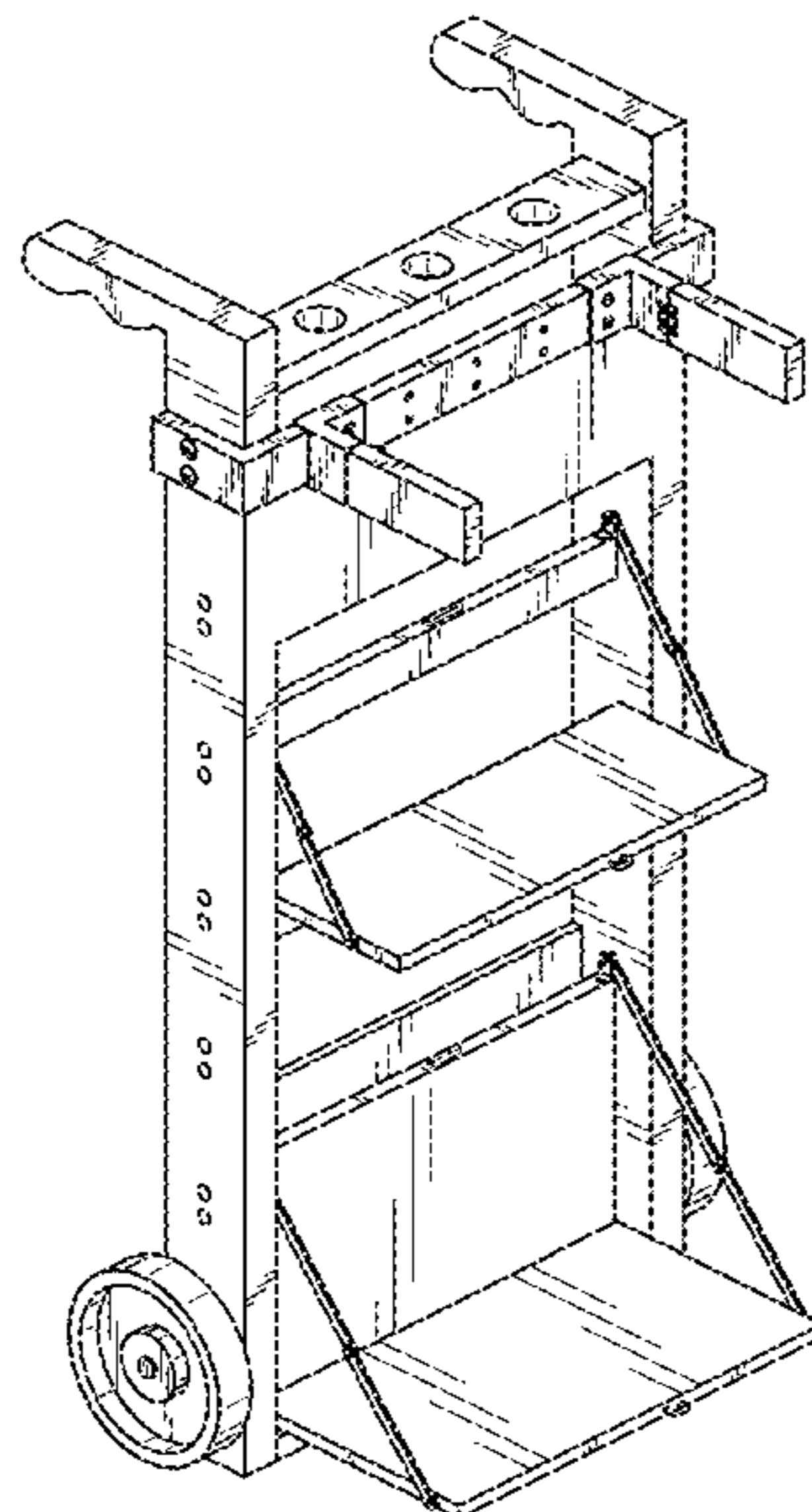
FIG. 1 is a front perspective view of the hand truck for yard equipment depicted with an arm assembly removed, showing my new design;
 FIG. 2 is a front perspective view depicted with the upper and lower shelves in a collapsed state with an arm assembly attached thereof;
 FIG. 3 is a front view with an arm assembly removed thereof;
 FIG. 4 is a back view thereof;
 FIG. 5 is a right side view with the left side view being a mirror image thereof;
 FIG. 6 is a top view thereof; and,
 FIG. 7 is a bottom view thereof.
 The arm assembly is shown removed from the cart in FIGS. 1, and 3 through 6 for convenience of illustration.

(56) **References Cited**

U.S. PATENT DOCUMENTS

3,875,981	A	4/1975	Brenner et al.		
4,202,521	A	5/1980	Harding		
4,350,366	A	9/1982	Helms		
4,632,412	A	* 12/1986	Nasgowitz	B62B 1/10 108/91
4,846,427	A	7/1989	Jones		
D311,083	S	* 10/1990	Dutro	D34/24

1 Claim, 6 Drawing Sheets



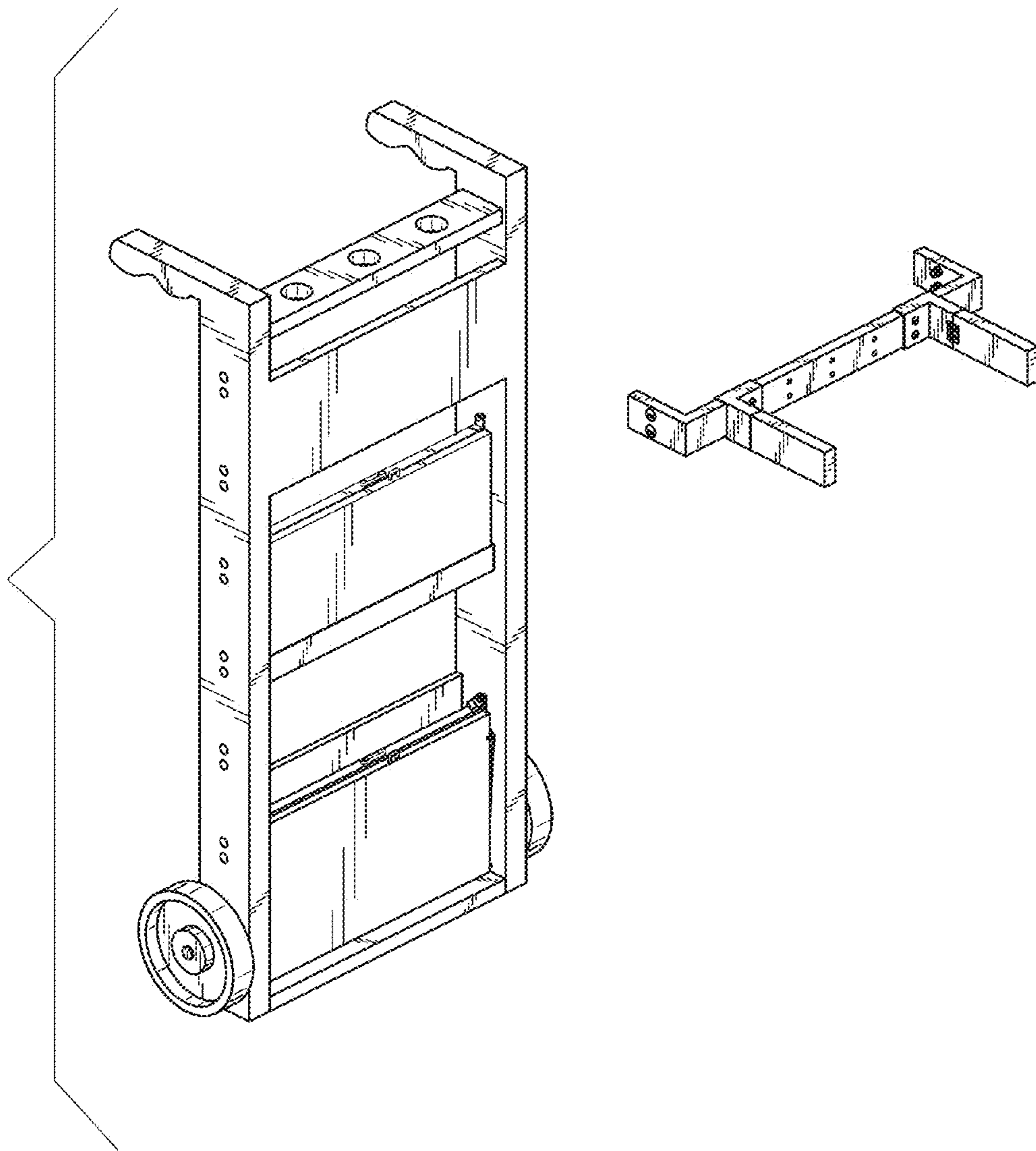


Fig. 1

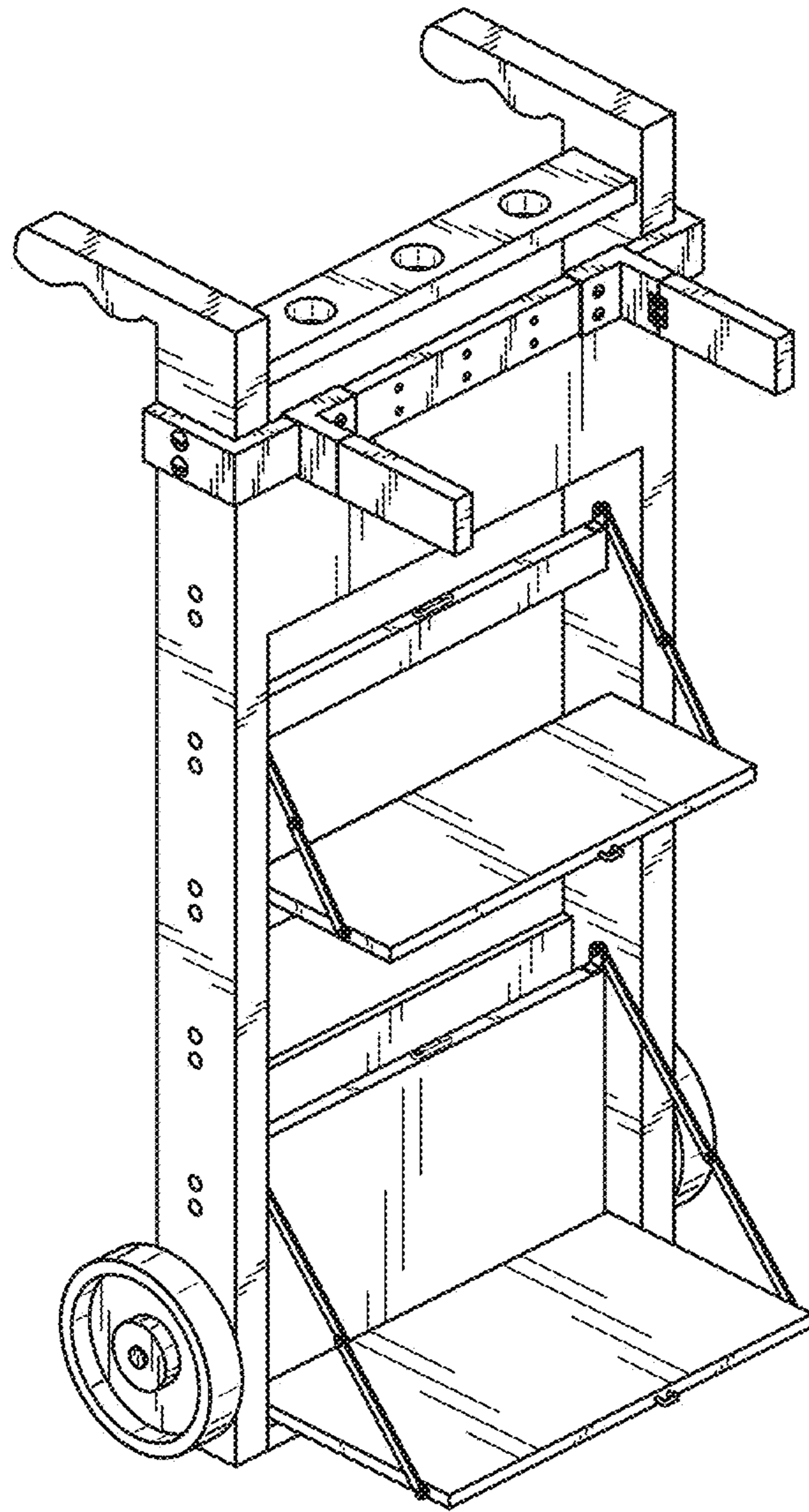


Fig. 2

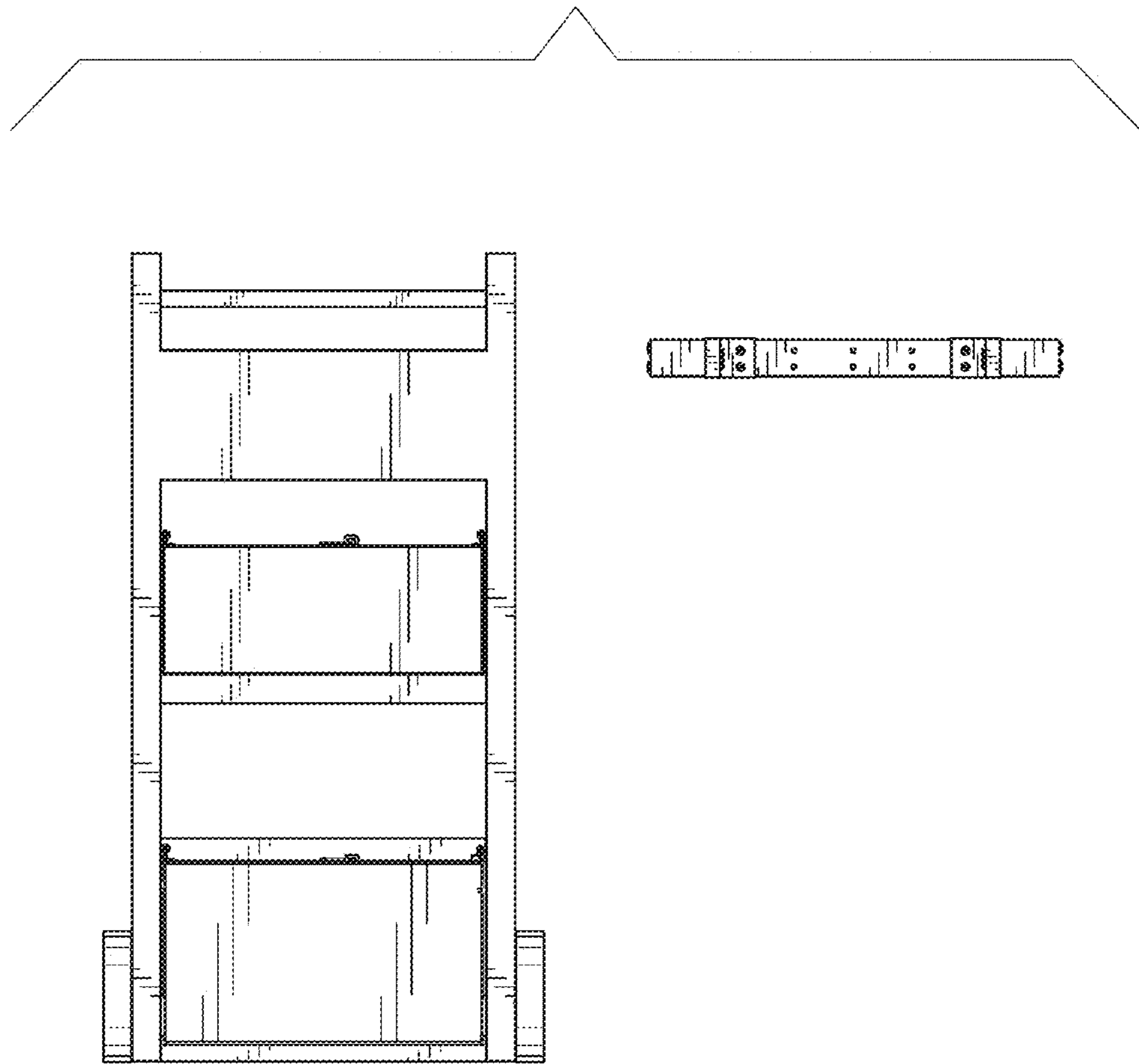


Fig. 3

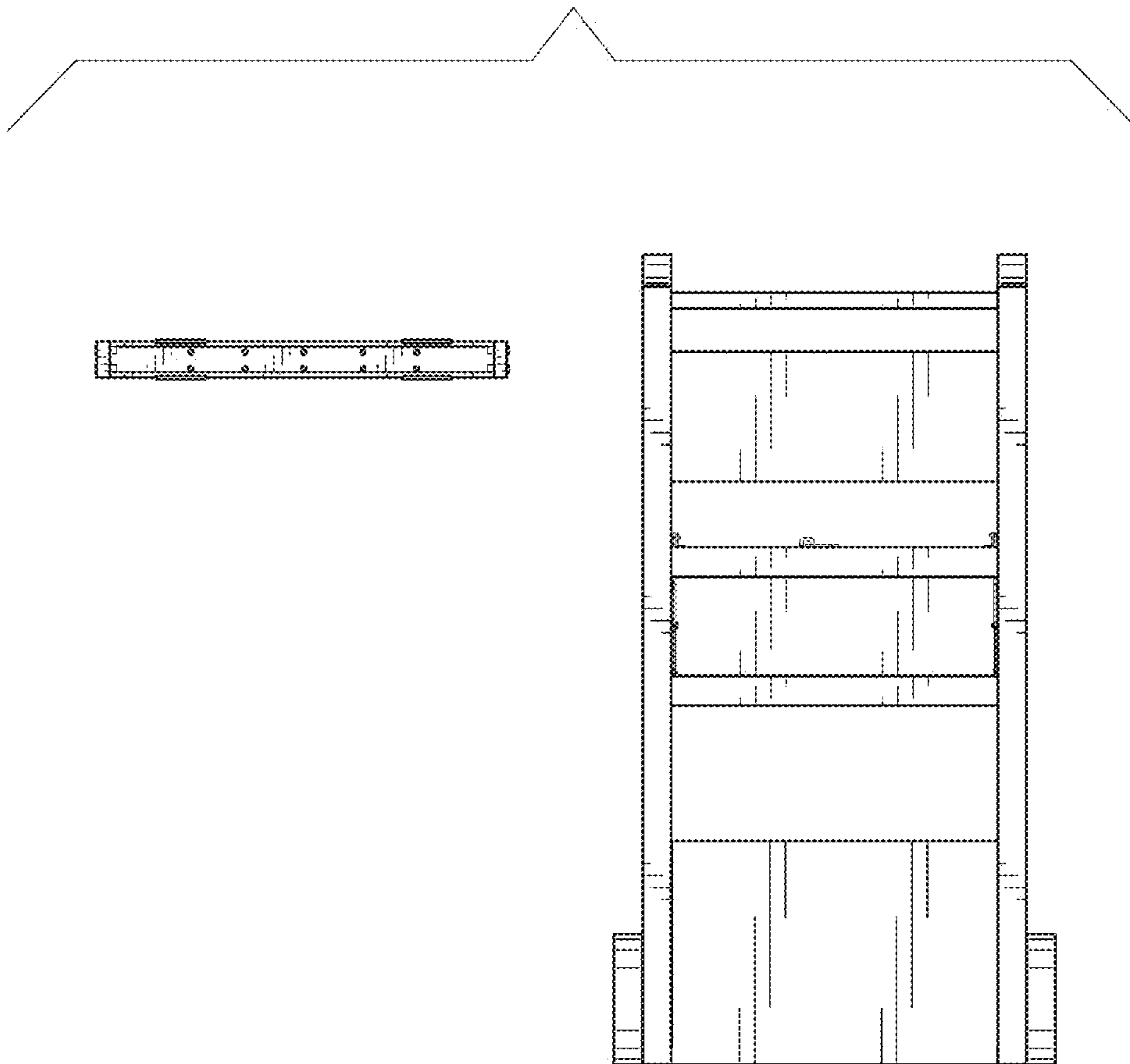


Fig. 4

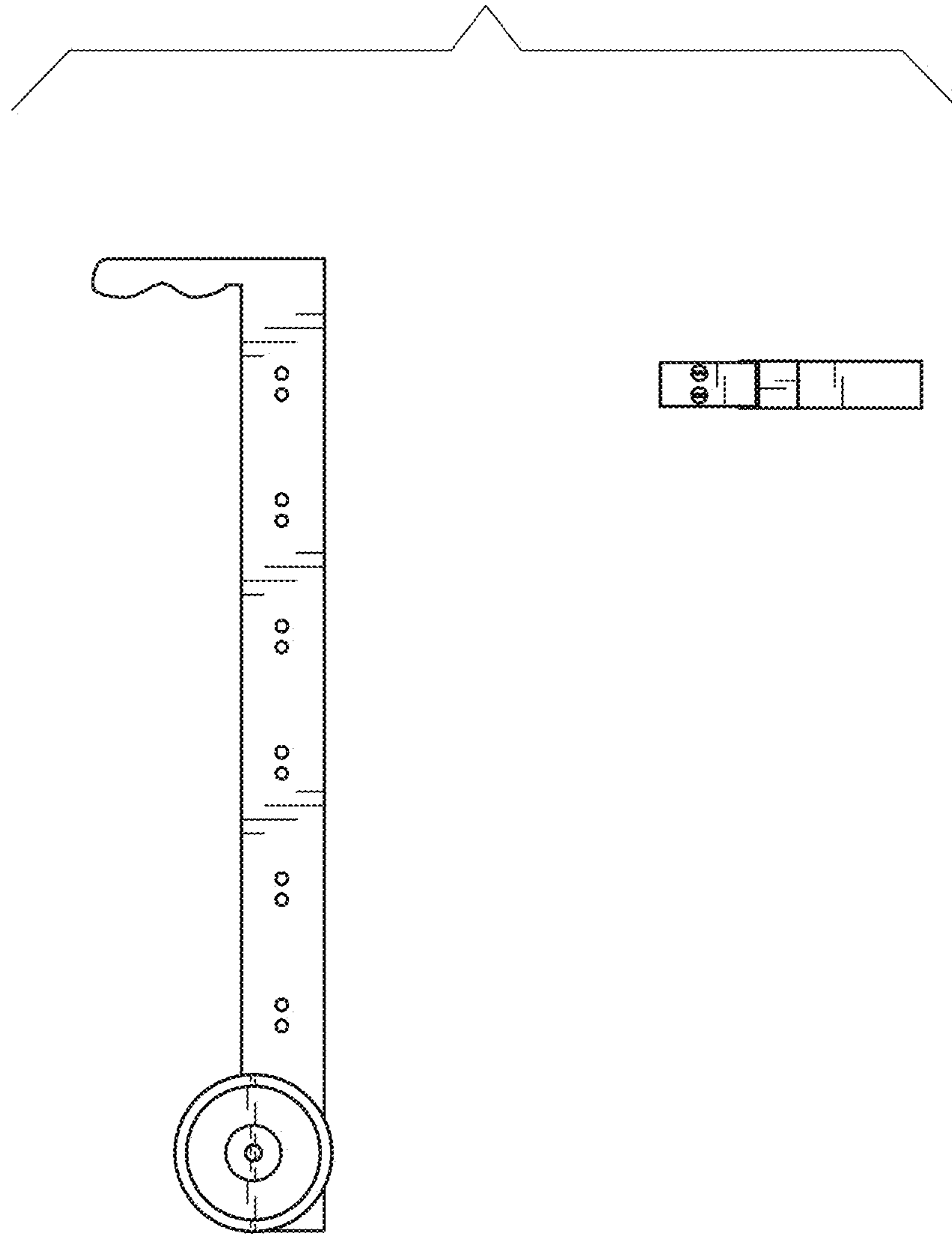


Fig. 5

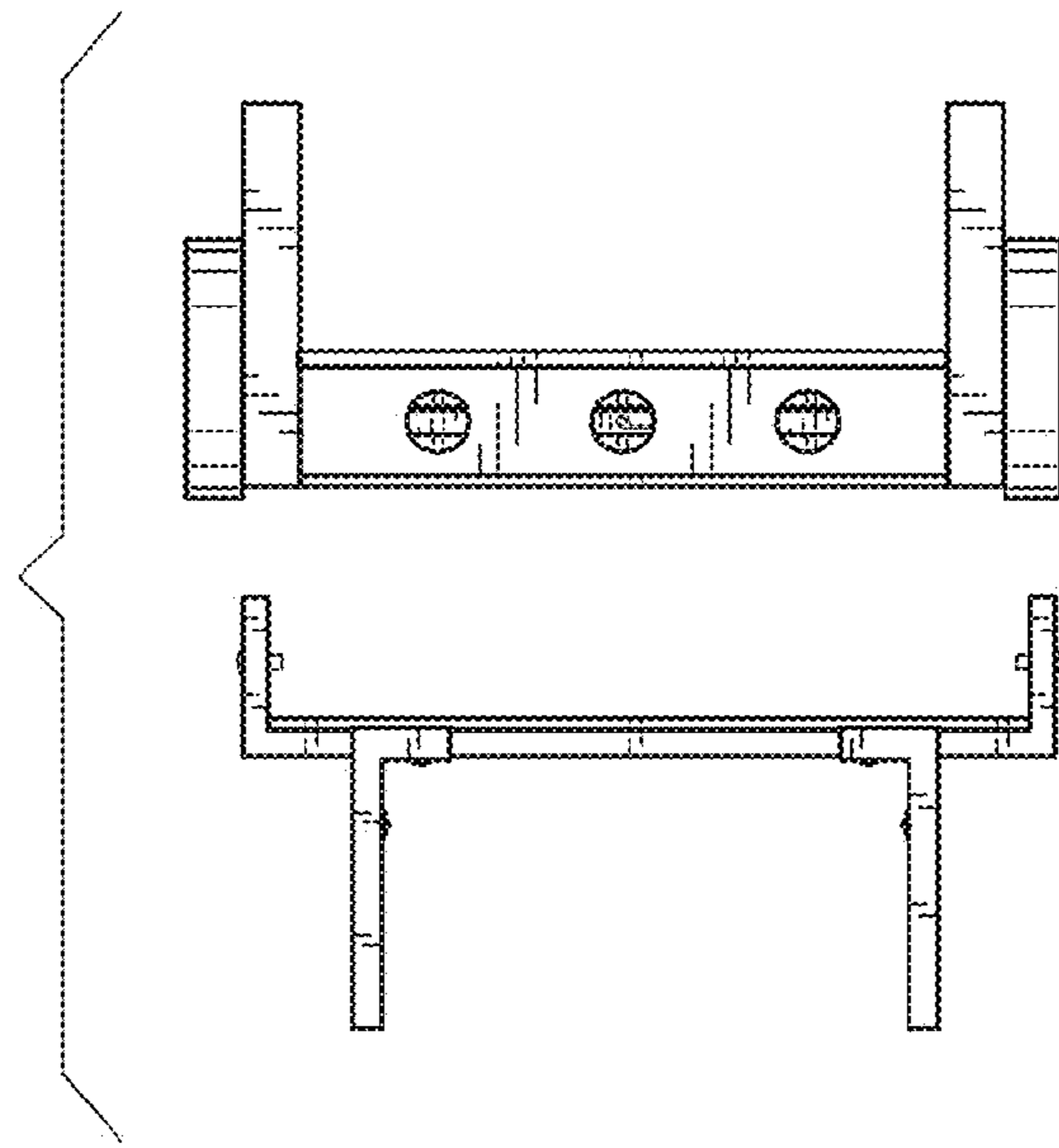


Fig. 6

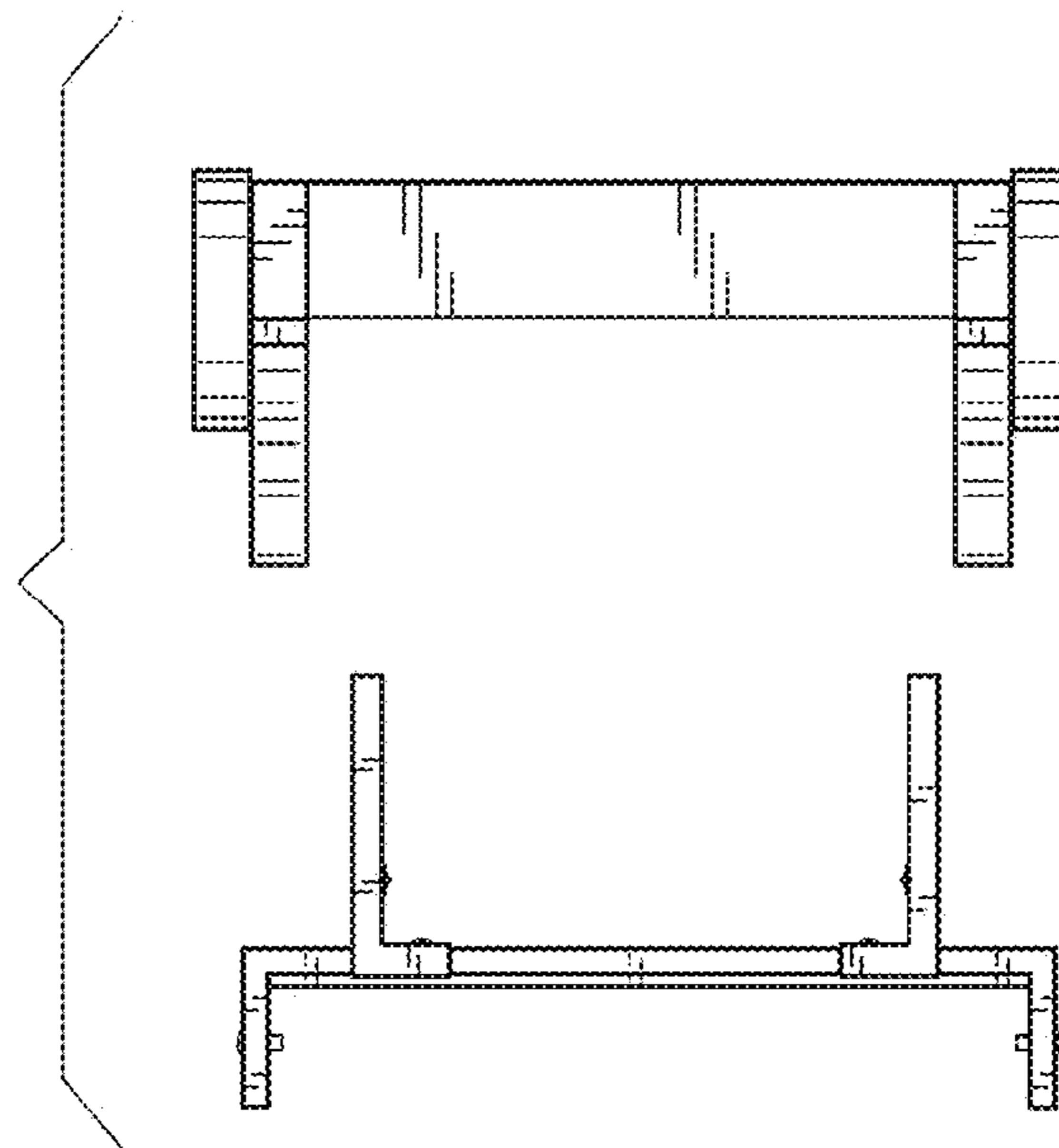


Fig. 7