



US00D746529S

(12) **United States Design Patent**  
**Orthey et al.**

(10) **Patent No.:** **US D746,529 S**

(45) **Date of Patent:** **\*\* Dec. 29, 2015**

(54) **STEAM GENERATING BASE FOR IRONS**

(71) Applicant: **De'Longhi Braun Household GmbH,**  
Neu-Isenburg (DE)

(72) Inventors: **Markus Orthey,** Eltville am Rhein  
(DE); **Duy Phong Vu,** Schwalbach am  
Taunus (DE)

(73) Assignee: **De'Longhi Braun Household GmbH,**  
Neu-Isenburg (DE)

(\*\*) Term: **14 Years**

(21) Appl. No.: **29/510,495**

(22) Filed: **Nov. 28, 2014**

(30) **Foreign Application Priority Data**

May 28, 2014 (EM) ..... 2472621-0005

(51) **LOC (10) Cl.** ..... **07-05**

(52) **U.S. Cl.**  
USPC ..... **D32/73**

(58) **Field of Classification Search**  
USPC ..... D32/70, 71, 73, 72, 69, 68, 35; D8/71,  
D8/373, 349, 396, 30; D15/144, 144.2;  
D28/73; 219/231, 242, 229; 165/80.1;  
126/414

CPC ..... D06F 75/34; D06F 75/08; D06F 75/38;  
D06F 75/00; F22B 27/14; B08B 3/006

See application file for complete search history.

(56) **References Cited**

**U.S. PATENT DOCUMENTS**

D360,723 S \* 7/1995 Kasai et al. .... D32/73  
D388,921 S \* 1/1998 Doria ..... D32/73  
D423,163 S \* 4/2000 Stutzer et al. .... D32/73  
D439,023 S \* 3/2001 Powell ..... D32/73

6,212,332 B1 \* 4/2001 Sham et al. .... 392/404  
D452,354 S \* 12/2001 Hsu ..... D32/70  
D463,641 S \* 9/2002 Powell ..... D32/71  
D470,637 S \* 2/2003 Berthier ..... D32/73  
D470,986 S \* 2/2003 Berthier ..... D32/73  
D484,658 S \* 12/2003 Schupp ..... D32/73  
D548,418 S \* 8/2007 Cahen ..... D32/70  
D564,166 S \* 3/2008 Yang ..... D32/73  
D568,021 S \* 4/2008 Lebot et al. .... D32/73  
D576,369 S \* 9/2008 Choi ..... D32/68  
D576,370 S \* 9/2008 Choi ..... D32/68  
D579,160 S \* 10/2008 Lebot et al. .... D32/9  
D581,620 S \* 11/2008 Chu ..... D32/68  
D608,068 S \* 1/2010 Choi ..... D32/70  
D693,083 S \* 11/2013 Smith ..... D32/73  
D701,362 S \* 3/2014 Smith ..... D32/70  
D707,904 S \* 6/2014 Salagnac ..... D32/73

\* cited by examiner

*Primary Examiner* — Austin Murphy

(74) *Attorney, Agent, or Firm* — Goodwin Procter LLP

(57) **CLAIM**

The ornamental design for a steam generating base for irons,  
as shown and described.

**DESCRIPTION**

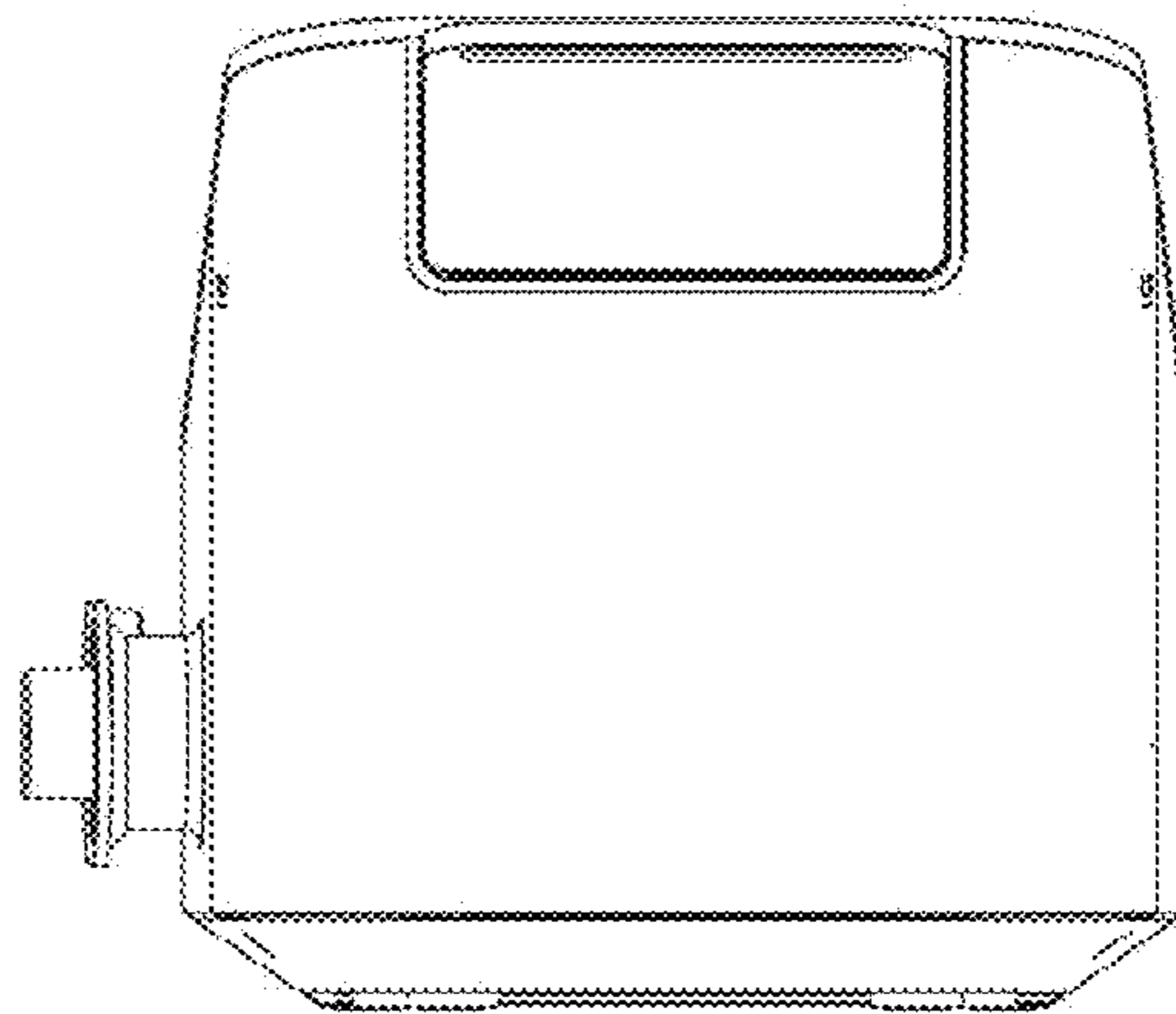
FIG. 1 is a left side view of a steam generating base for irons;  
FIG. 2 is a right side view of the steam generating base for  
irons;

FIG. 3 is a front view of the steam generating base for irons;  
FIG. 4 is a rear view of the steam generating base for irons;  
FIG. 5 is a top view of the steam generating base for irons;  
FIG. 6 is a bottom view of the steam generating base for irons;  
and,

FIG. 7 is a top perspective view of the steam generating base  
for irons.

The broken lines shown in the drawings of the steam gener-  
ating base for irons are for illustrative purposes only and form  
no part of the claimed design.

**1 Claim, 5 Drawing Sheets**



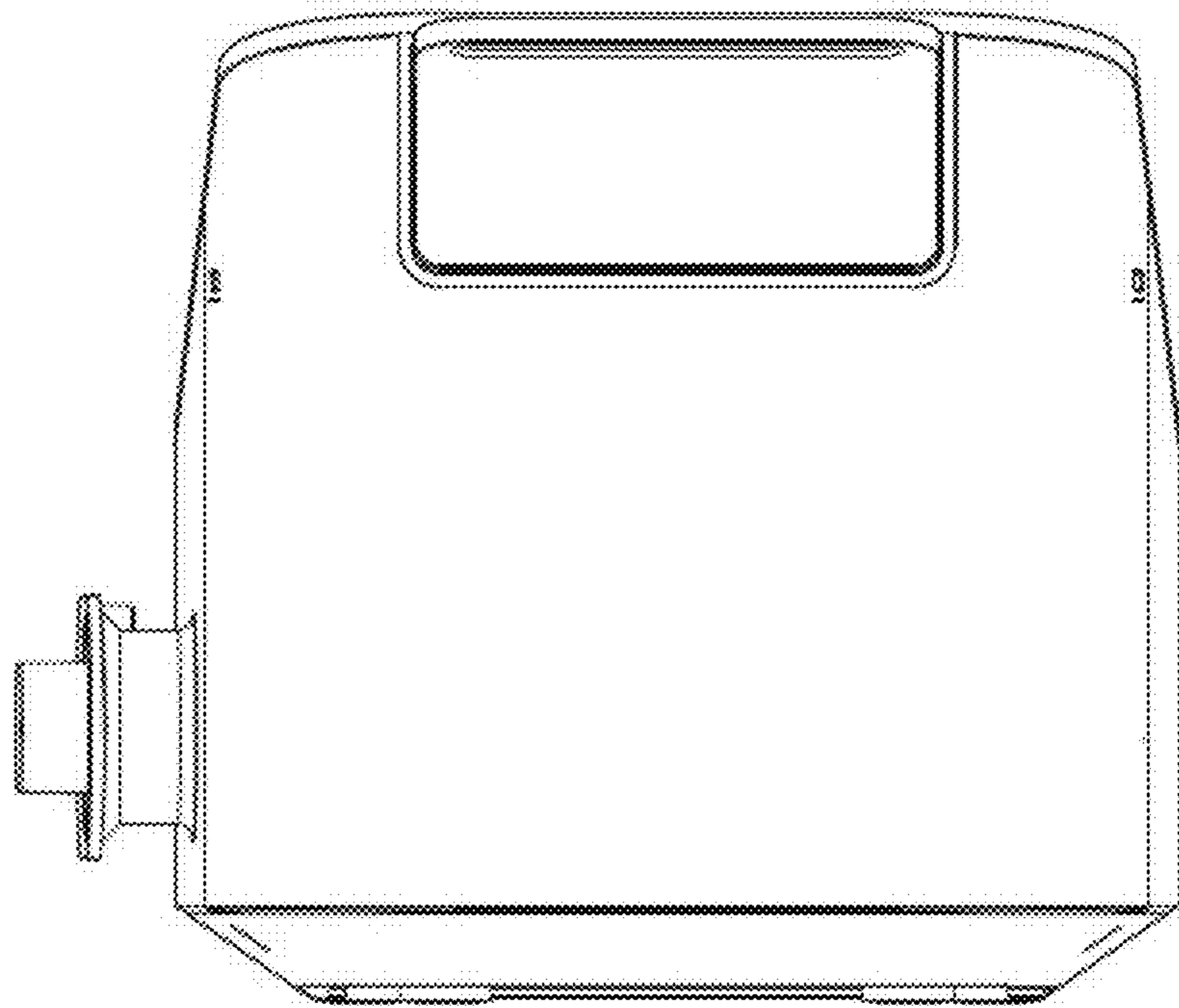


FIG. 1

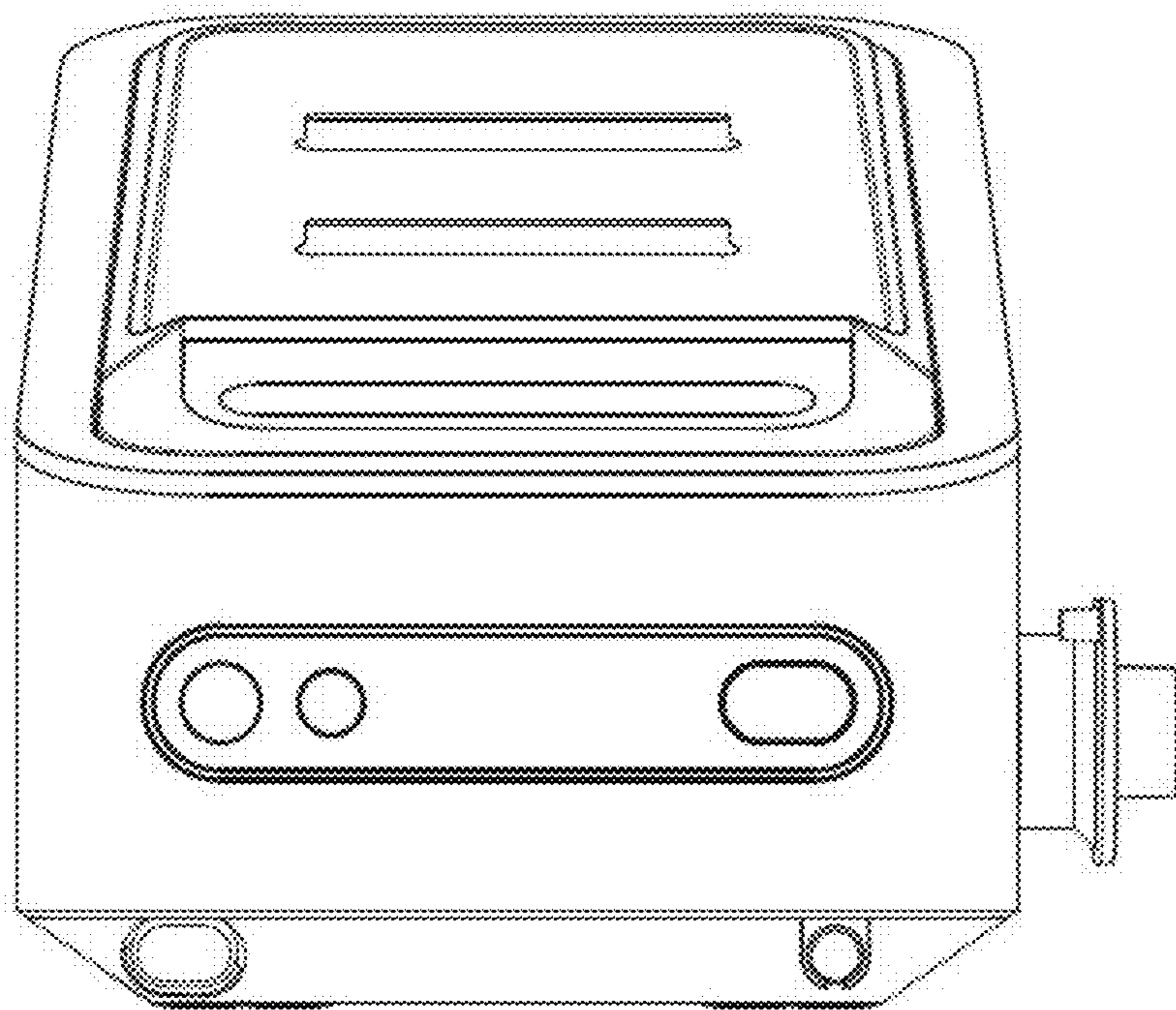


FIG. 2

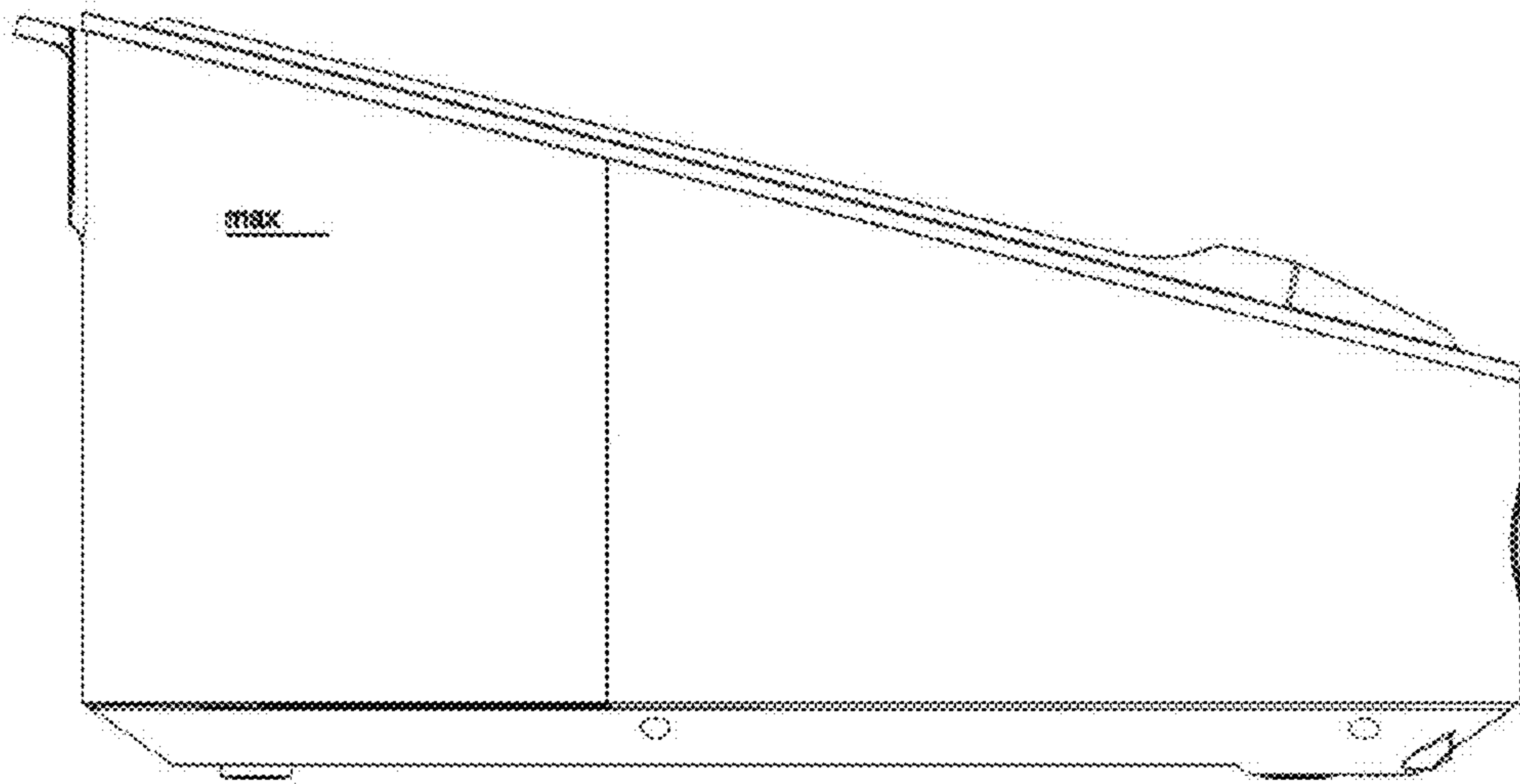


FIG. 3

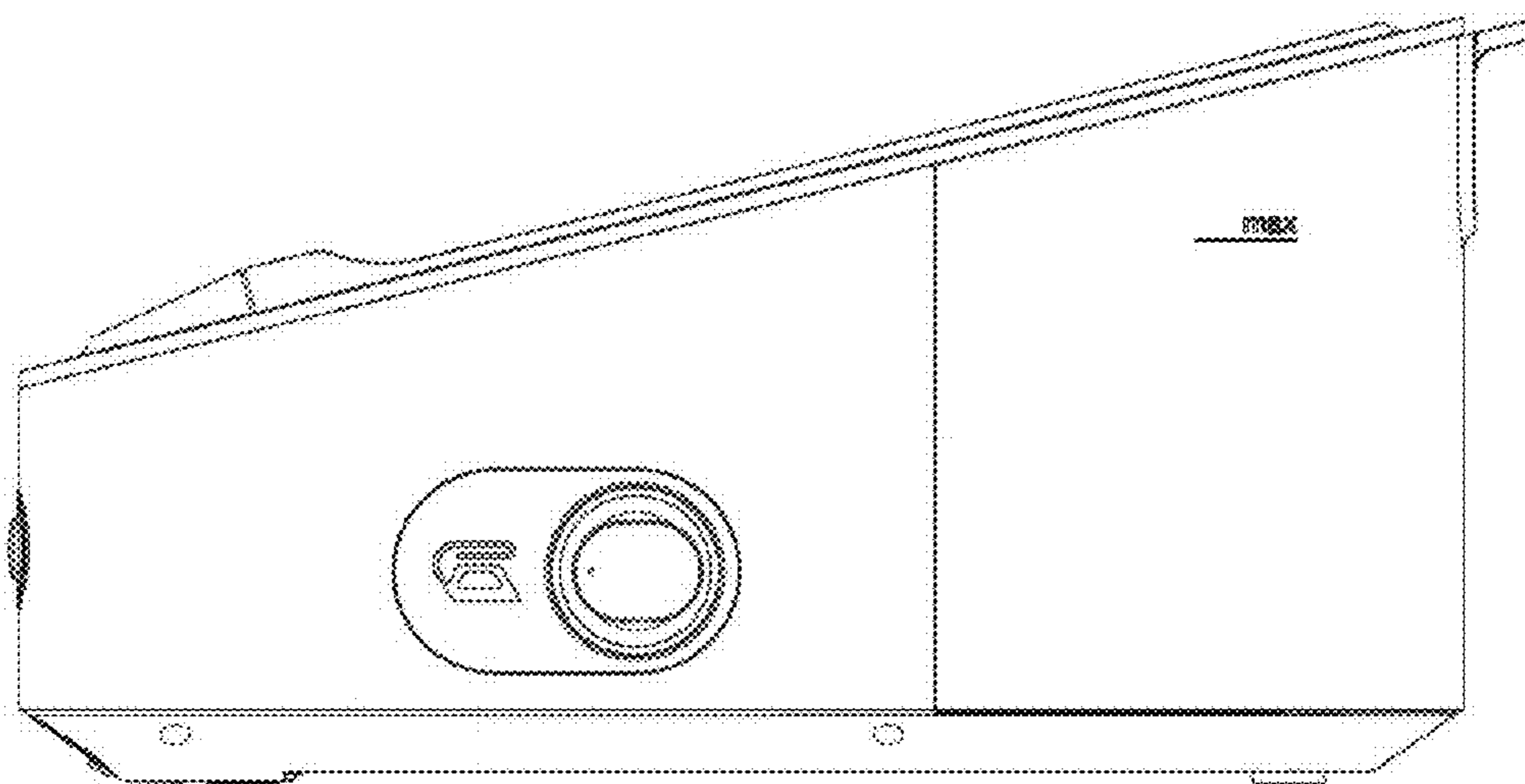


FIG. 4

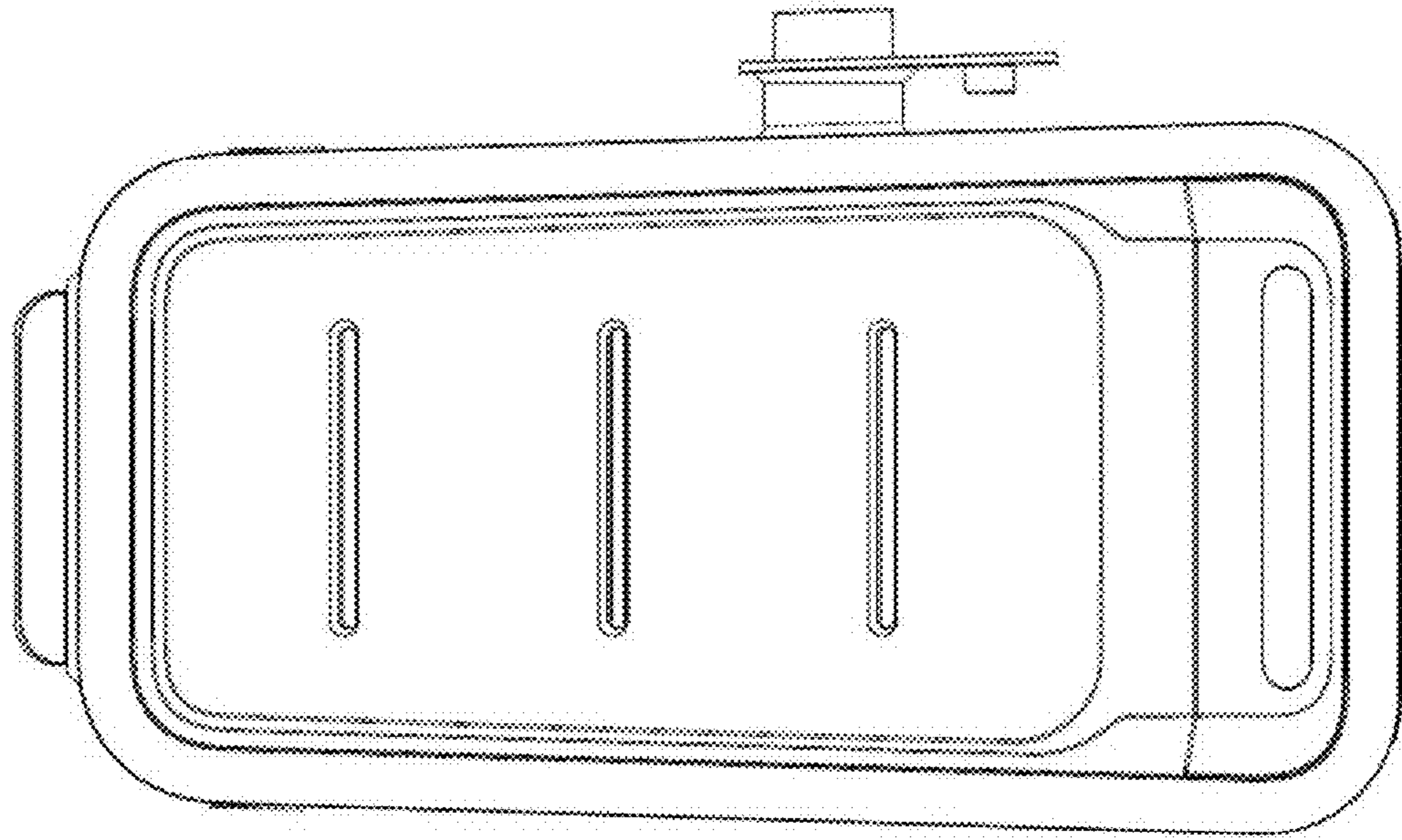


FIG. 5

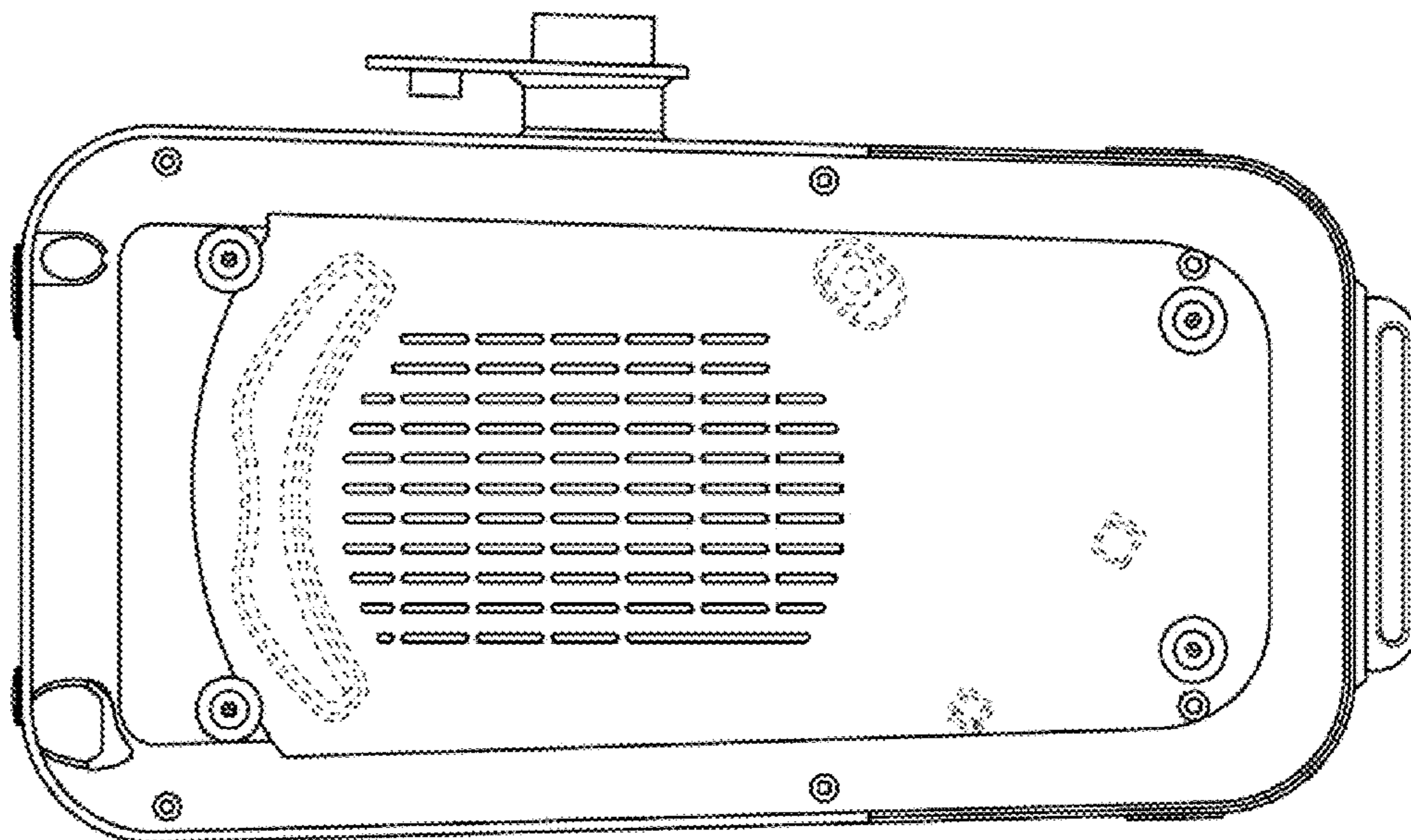


FIG. 6

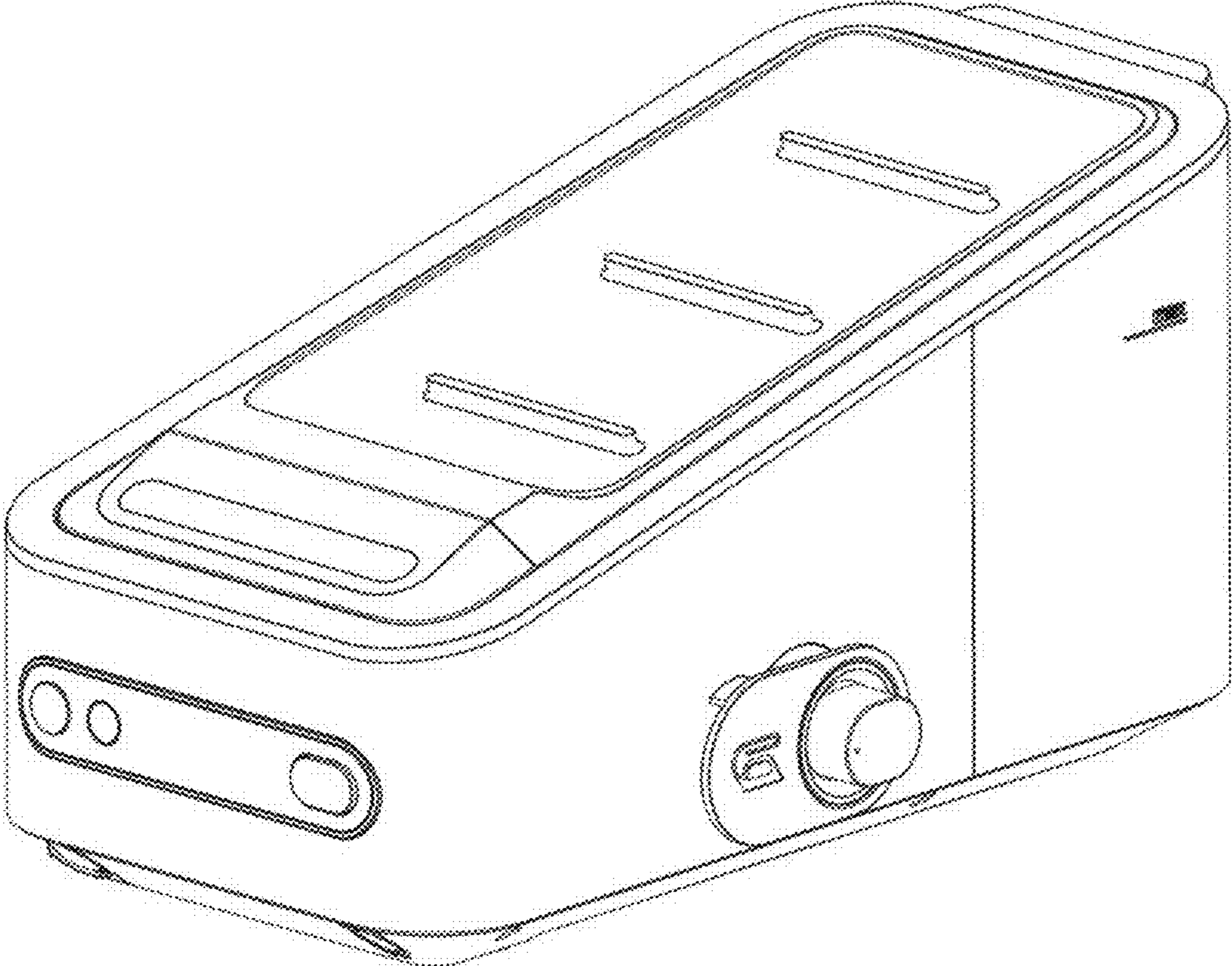


FIG. 7