



US00D746525S

(12) **United States Design Patent**
Yun et al.

(10) **Patent No.:** **US D746,525 S**
(45) **Date of Patent:** **** Dec. 29, 2015**

(54) **VACUUM CLEANER**

- (71) Applicant: **Samsung Electronics Co., Ltd.**,
Suwon-si (KR)
- (72) Inventors: **Deoksang Yun**, Ansan-si (KR);
YeonYoung Nam, Goyang-si (KR);
Hwanwoong Choi, Seoul (KR)
- (73) Assignee: **Samsung Electronics Co., Ltd.**,
Suwon-si (KR)
- (**) Term: **15 Years**
- (21) Appl. No.: **29/530,895**
- (22) Filed: **Jun. 22, 2015**

Related U.S. Application Data

- (63) Continuation of application No. 29/483,021, filed on
Feb. 25, 2014, now Pat. No. Des. 735,426.

Foreign Application Priority Data

- (30) Sep. 2, 2013 (KR) 30-2013-0045137
- (51) **LOC (10) Cl.** **15-05**
- (52) **U.S. Cl.**
USPC **D32/31**
- (58) **Field of Classification Search**
USPC D32/15-16, 18-21, 22, 30-34;
15/410-412, 246.2, 320, 329, 344,
15/350, 347, DIG. 10, 349, 351-353,
15/340.2, 361, 362; 55/DIG. 3, 323, 337,
55/429
CPC A47L 5/28; A47L 11/24; A47L 9/20;
A47L 9/325; A47L 9/1683; A47L 9/1666;
A47L 7/0038; B01D 50/002
See application file for complete search history.

(56) **References Cited**

U.S. PATENT DOCUMENTS

D411,359	S	*	6/1999	Green	D32/31
D462,813	S		9/2002	Nakano et al.		
6,925,680	B2	*	8/2005	Oh	15/350
D510,465	S		10/2005	Takahashi		
D532,944	S		11/2006	Choi		
7,140,068	B1	*	11/2006	Vander Baan et al.	15/347
D535,070	S		1/2007	Shin		
D587,870	S		3/2009	Baek et al.		
D610,317	S		2/2010	Lee et al.		
D610,318	S		2/2010	Shin		
D633,264	S		2/2011	Lee		
D652,589	S		1/2012	Lee		
D659,313	S		5/2012	Shin et al.		
D666,368	S		8/2012	Ghim et al.		
D670,878	S		11/2012	Lee		
D693,073	S		11/2013	Lim et al.		
D735,426	S	*	7/2015	Yun et al.	D32/22
2004/0261214	A1	*	12/2004	Park et al.	15/351
2014/0013537	A1		1/2014	Kasper		
2015/0059122	A1	*	3/2015	Kim et al.	15/354

* cited by examiner

Primary Examiner — Ruth McInroy

(74) *Attorney, Agent, or Firm* — NSIP Law

(57) **CLAIM**

We claim the ornamental design for a vacuum cleaner, as shown and described.

DESCRIPTION

FIG. 1 is a front perspective view of a vacuum cleaner showing our new design;
 FIG. 2 is a front view thereof;
 FIG. 3 is a rear view thereof;
 FIG. 4 is a left-side view thereof;
 FIG. 5 is a right-side view thereof;
 FIG. 6 is a top view thereof;
 FIG. 7 is a bottom view thereof; and,
 FIG. 8 is an exploded perspective view thereof.
 The broken lines in the figures show portions of the vacuum cleaner which form no part of the claimed design.

1 Claim, 8 Drawing Sheets

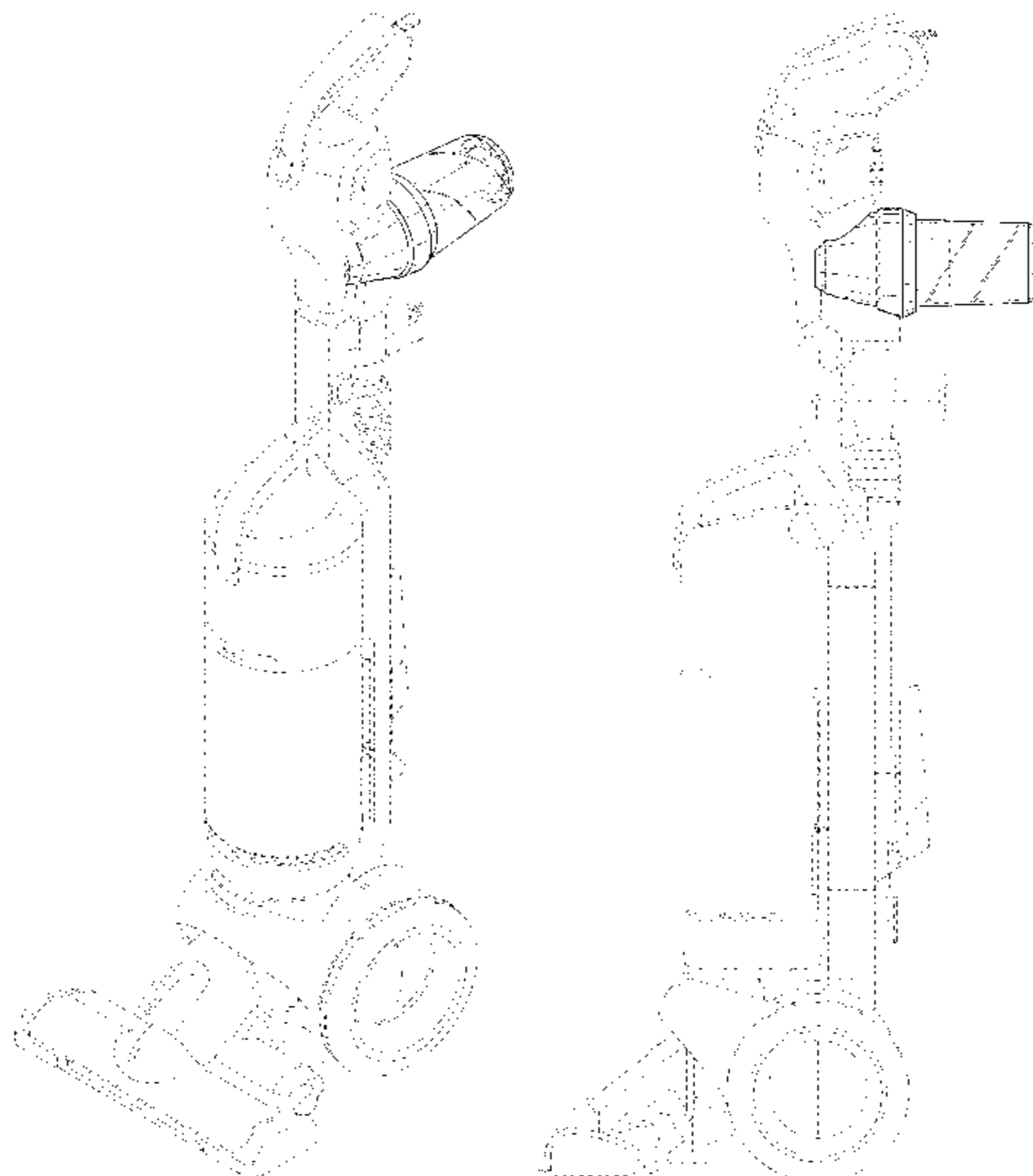


FIG. 1

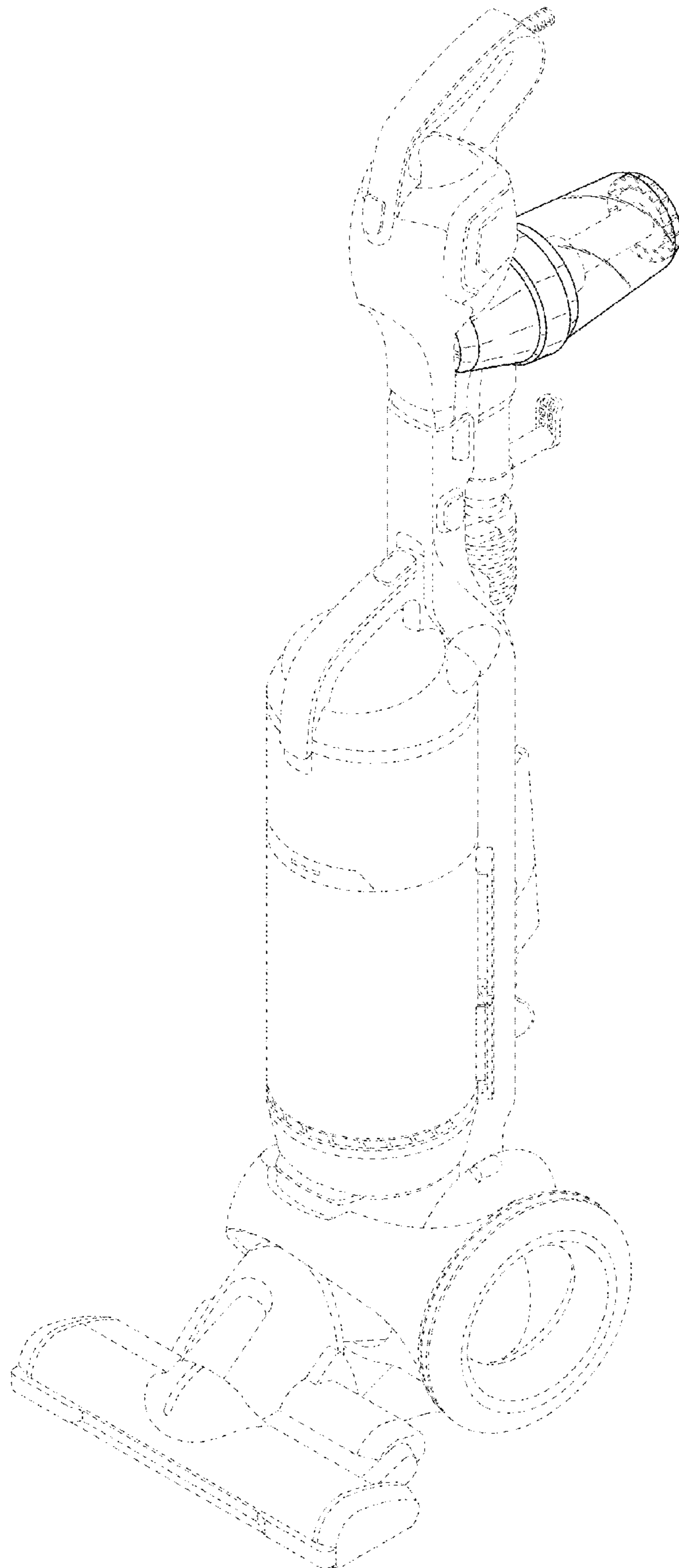


FIG. 2

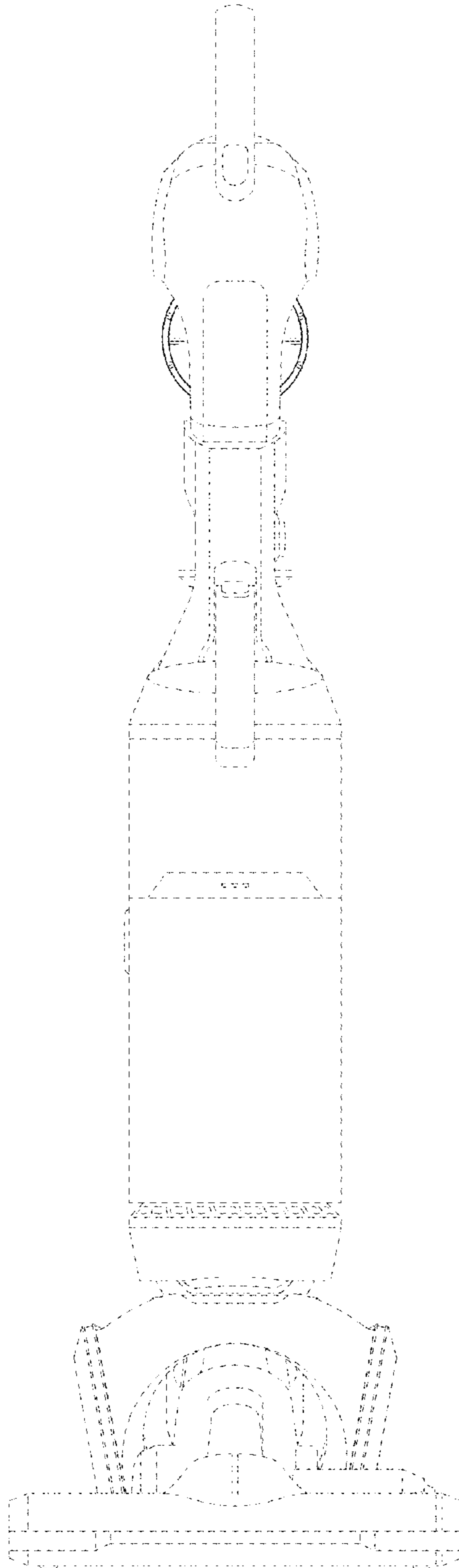


FIG. 3

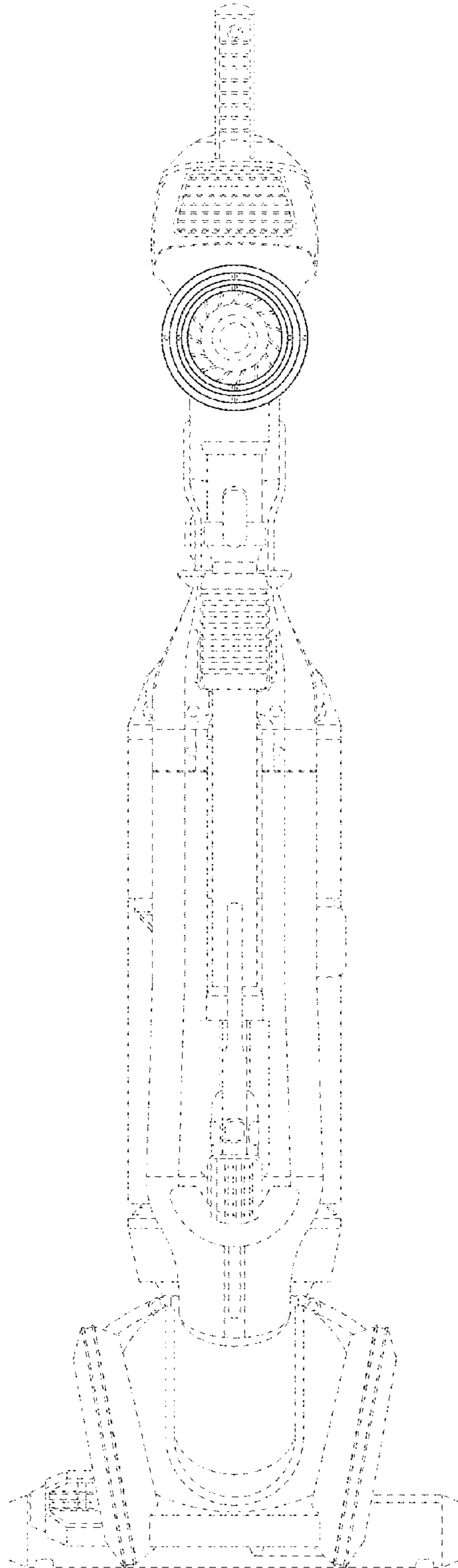


FIG. 4

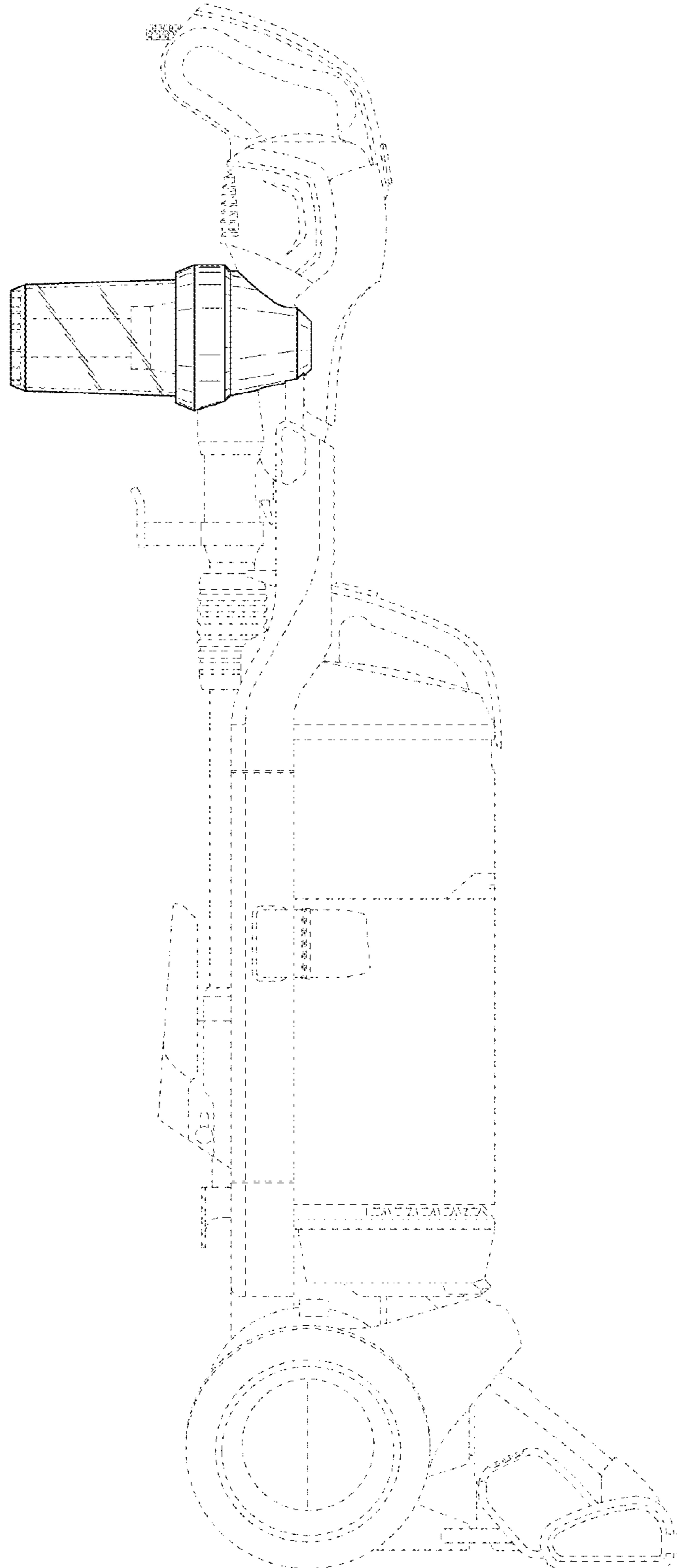


FIG. 5

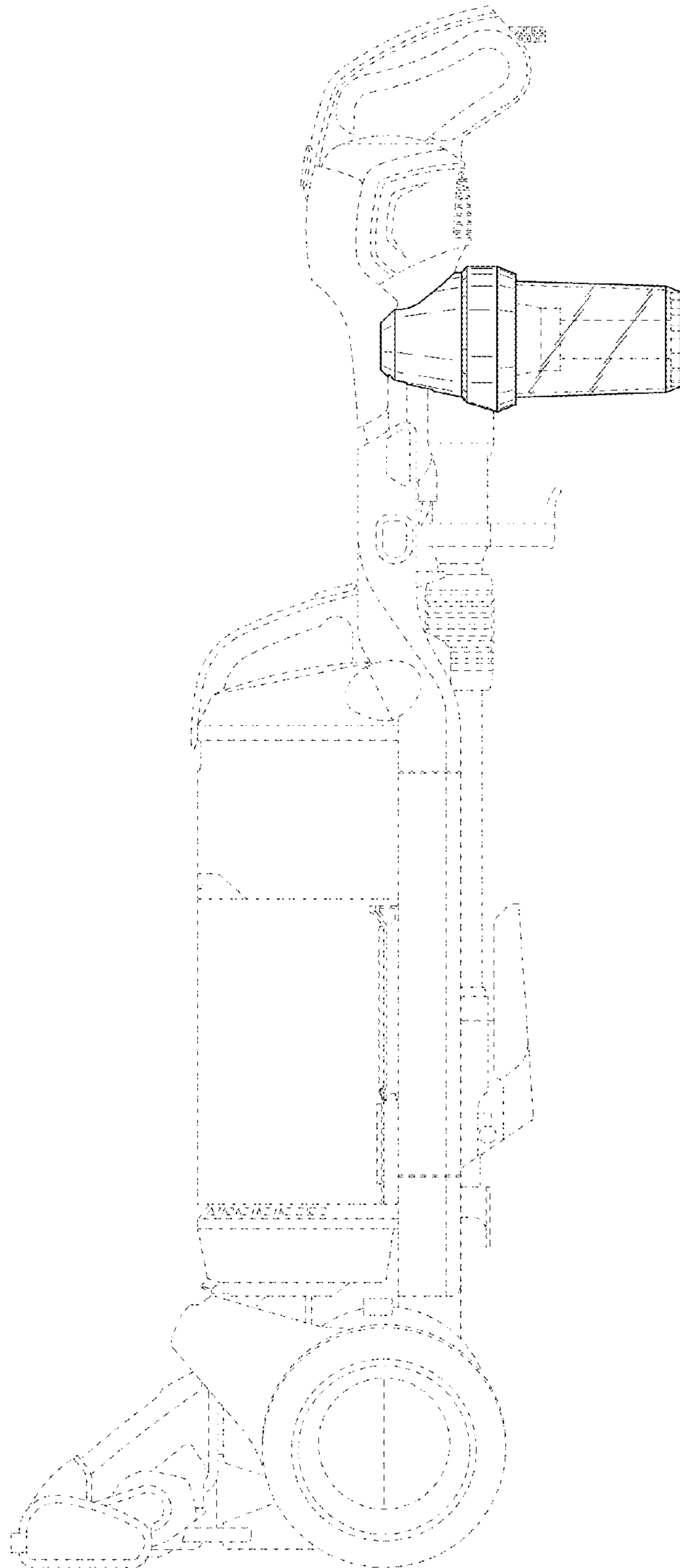


FIG. 6

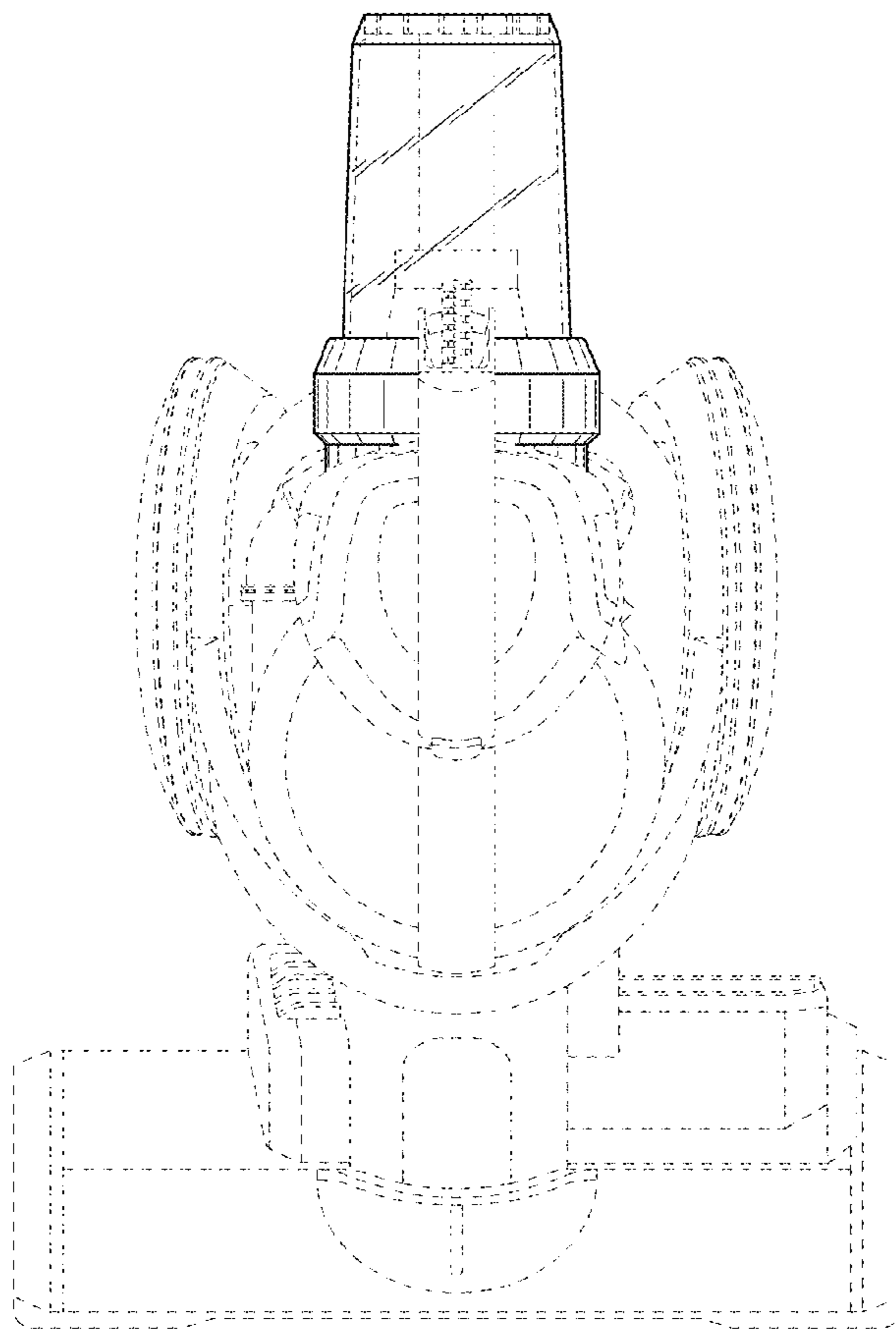


FIG. 7

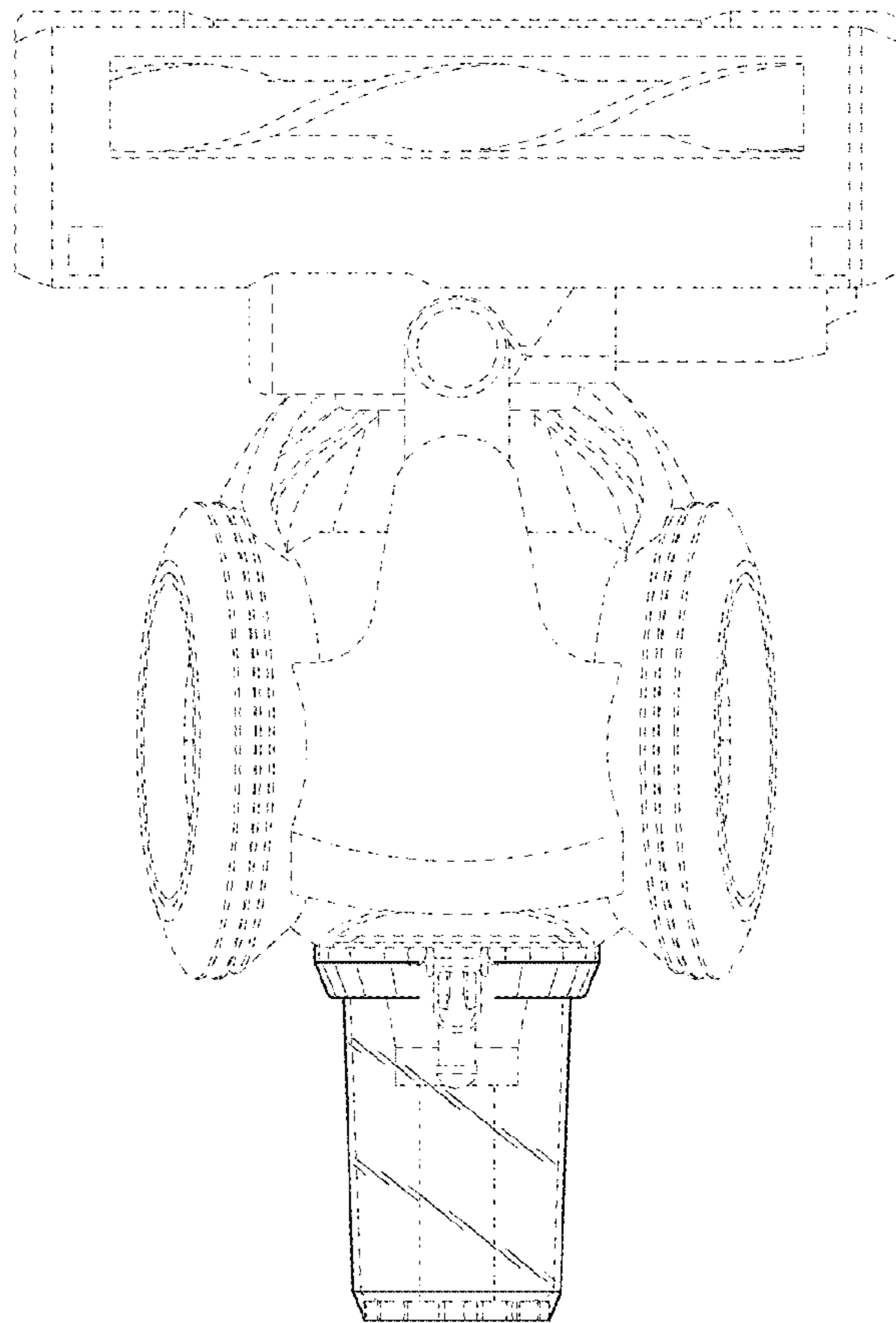


FIG. 8

