



US00D746524S

(12) **United States Design Patent**
Kim et al.

(10) **Patent No.:** **US D746,524 S**

(45) **Date of Patent:** **** Dec. 29, 2015**

(54) **VACUUM CLEANER**

(71) Applicant: **Samsung Electronics Co., Ltd.**,
Suwon-si (KR)

(72) Inventors: **Kyung-Tae Kim**, Seoul (KR);
Yeon-Young Nam, Goyang-Si (KR)

(73) Assignee: **Samsung Electronics Co., Ltd.**,
Suwon-si (KR)

(**) Term: **14 Years**

(21) Appl. No.: **29/512,675**

(22) Filed: **Dec. 22, 2014**

(30) **Foreign Application Priority Data**

Aug. 20, 2014 (KR) 30-2014-0040576

(51) **LOC (10) Cl.** **15-05**

(52) **U.S. Cl.**
USPC **D32/21**

(58) **Field of Classification Search**
USPC D32/21, 23-24, 31
CPC A47L 5/362; A47L 5/365; A47L 5/28;
A47L 9/26; A47L 11/34; A47L 7/0038;
B65H 75/18

See application file for complete search history.

(56) **References Cited**

U.S. PATENT DOCUMENTS

D445,226	S	*	7/2001	Jupp	D32/21
D709,253	S	*	7/2014	Lim et al.	D32/21
D713,611	S	*	9/2014	Yun et al.	D32/31
D714,001	S	*	9/2014	Yun et al.	D32/21
D718,504	S	*	11/2014	Carter et al.	D32/21
D723,754	S	*	3/2015	Yun et al.	D32/21
D724,281	S	*	3/2015	Irfan et al.	D32/21
D724,799	S	*	3/2015	Yun et al.	D32/21
D724,800	S	*	3/2015	Irfan et al.	D32/21
D724,801	S	*	3/2015	Yoon et al.	D32/21
D725,331	S	*	3/2015	Springell et al.	D32/21
D725,333	S	*	3/2015	Yun et al.	D32/31
2015/0121645	A1	*	5/2015	Irfan	15/300.1

* cited by examiner

Primary Examiner — Ruth McInroy

(74) *Attorney, Agent, or Firm* — NSIP Law

(57) **CLAIM**

We claim the ornamental design for a vacuum cleaner, as shown and described.

DESCRIPTION

FIG. 1 is a front perspective view of a vacuum cleaner showing our new design;
FIG. 2 is a front view thereof;
FIG. 3 is a rear view thereof;
FIG. 4 is a left-side view thereof;
FIG. 5 is a right-side view thereof;
FIG. 6 is a top view thereof; and,
FIG. 7 is a bottom view thereof.
The broken lines in the figures show portions of the vacuum cleaner which form no part of the claimed design.

1 Claim, 7 Drawing Sheets

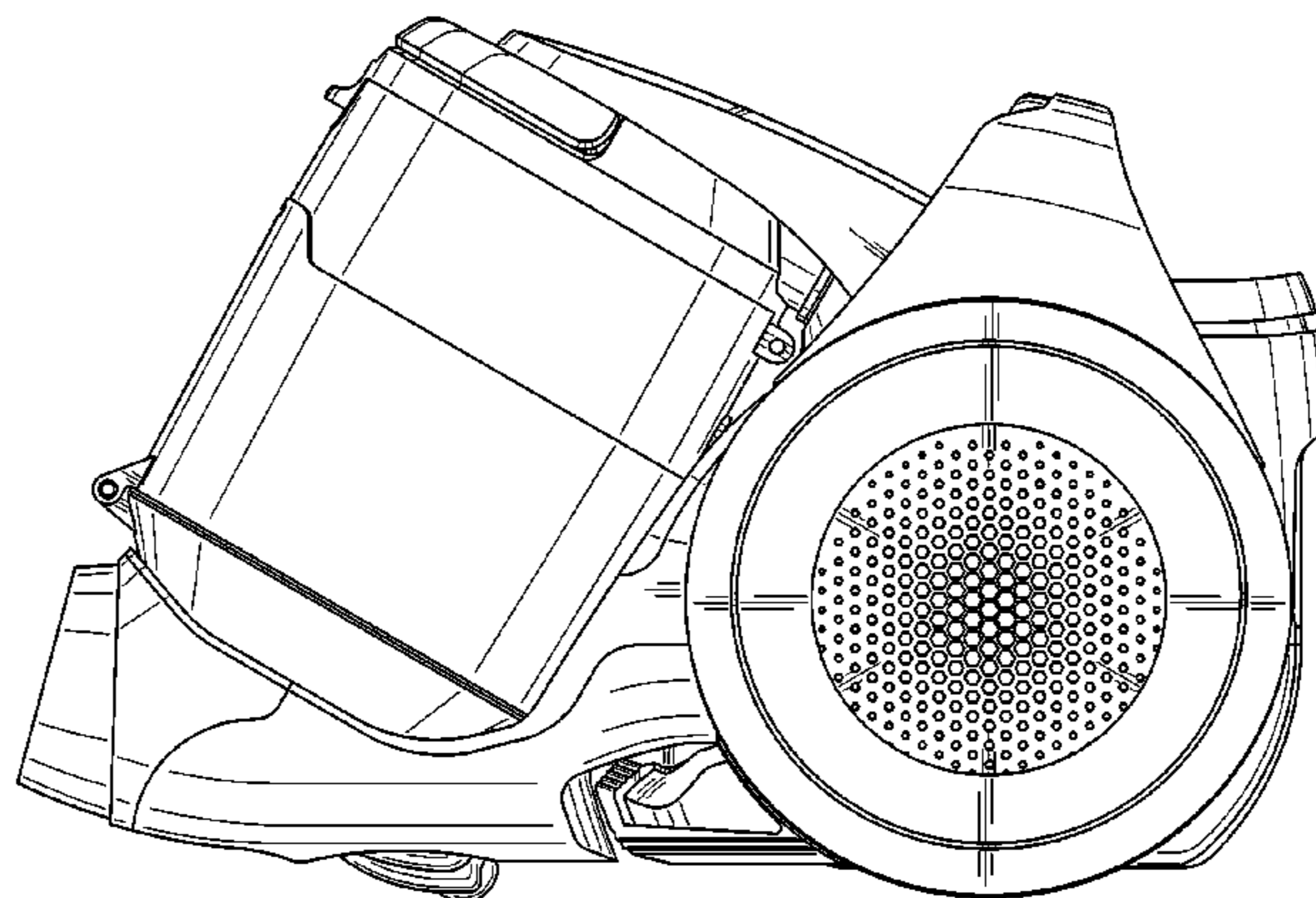
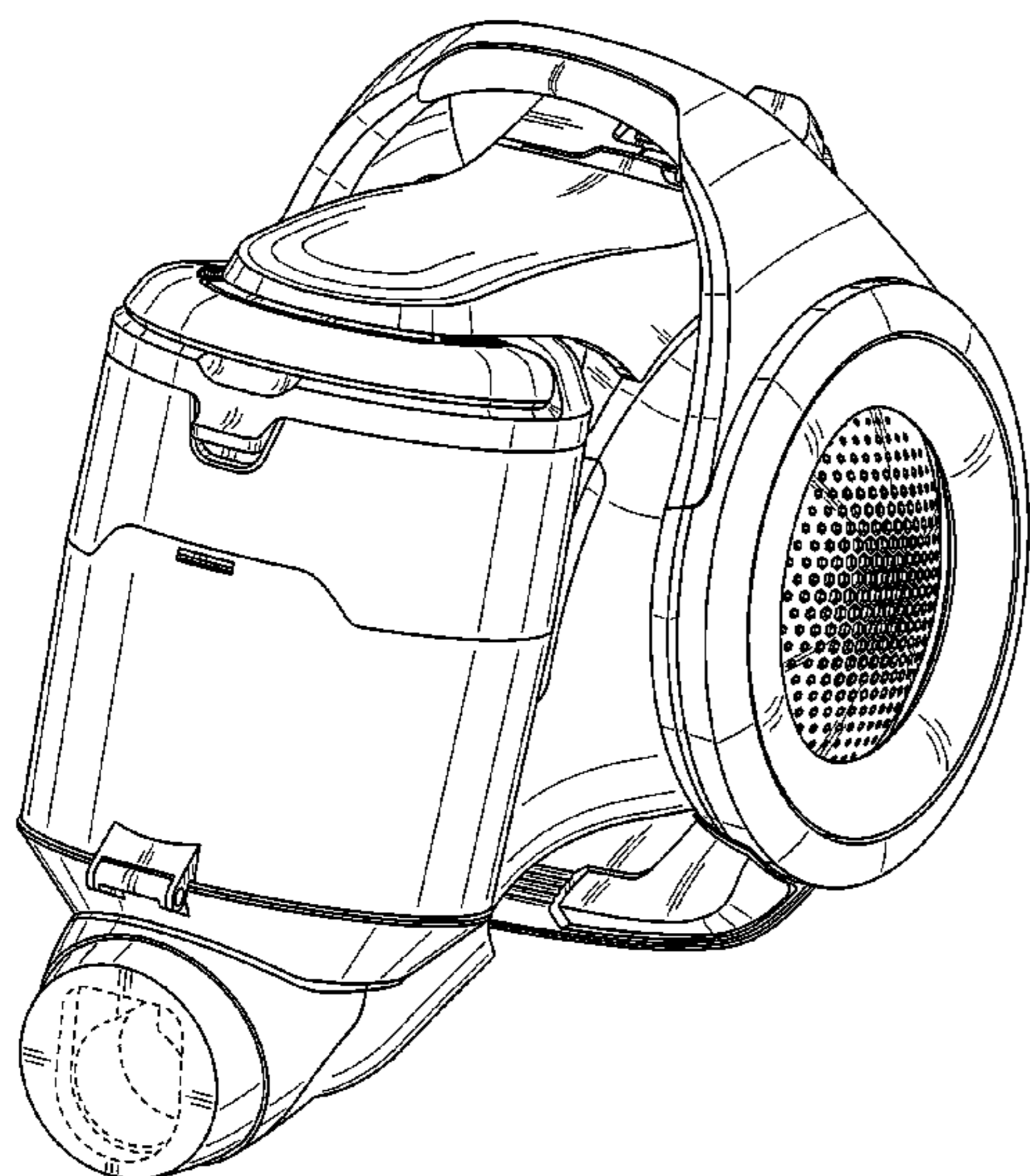


FIG. 1

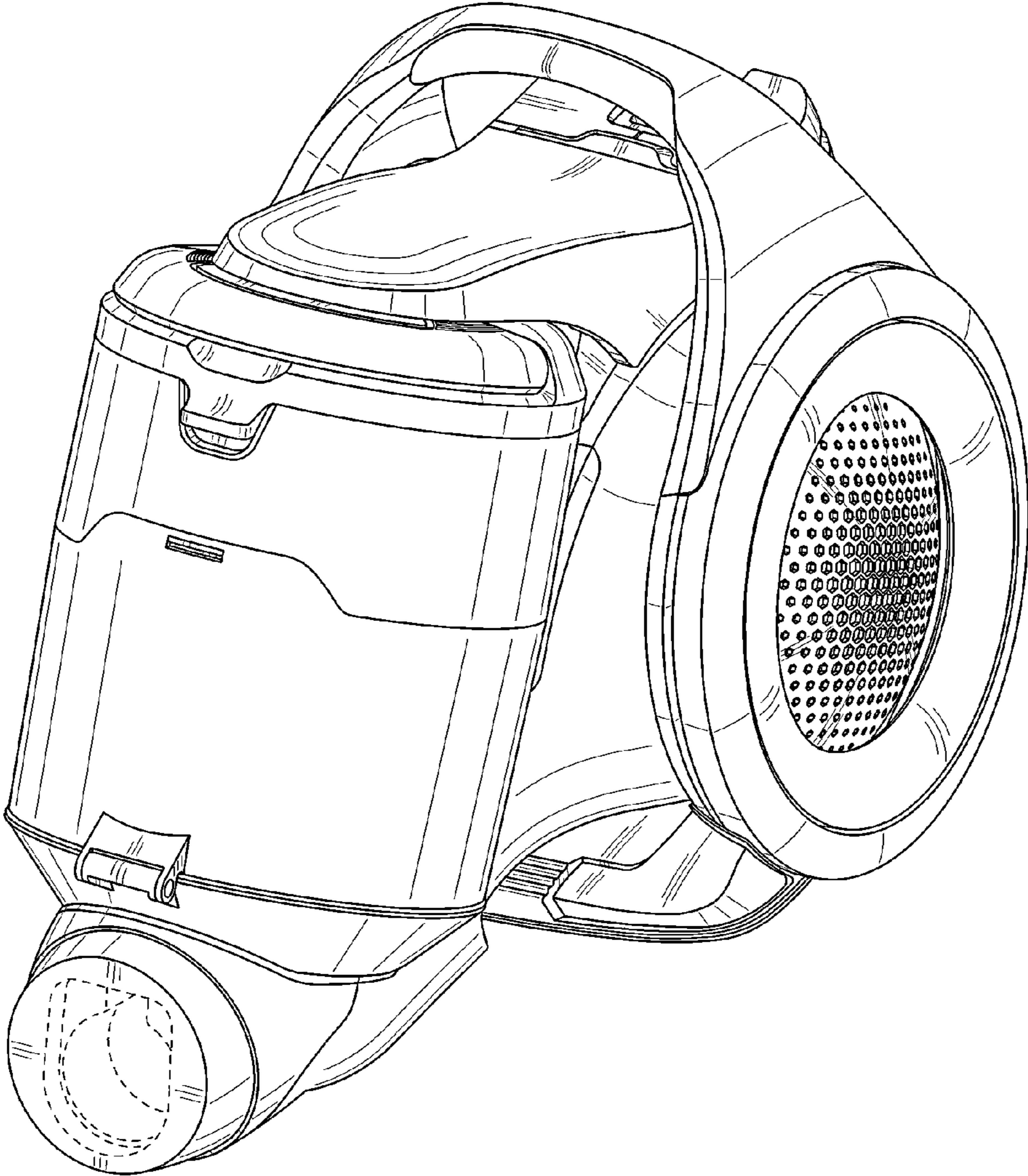


FIG. 2

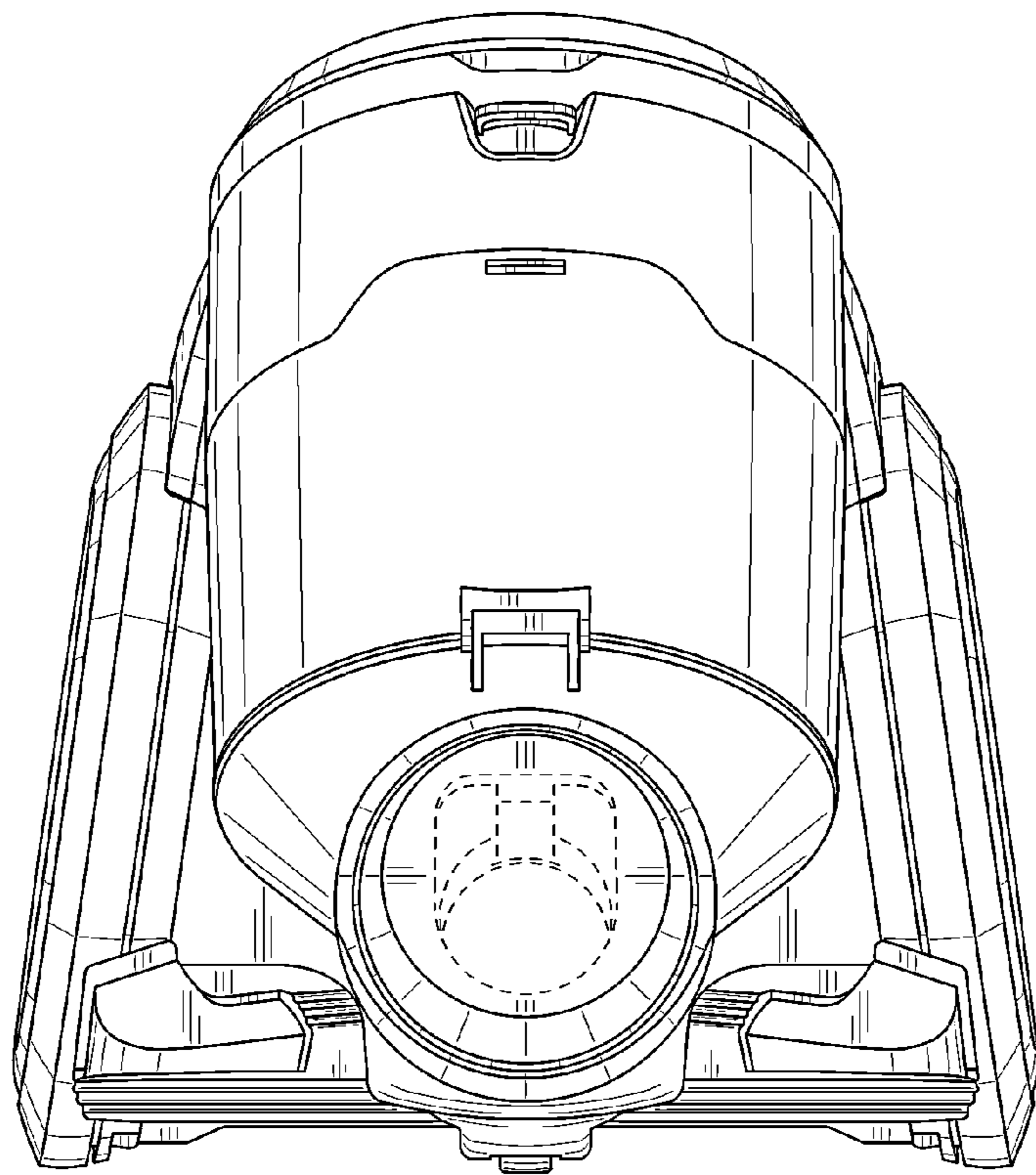


FIG. 3

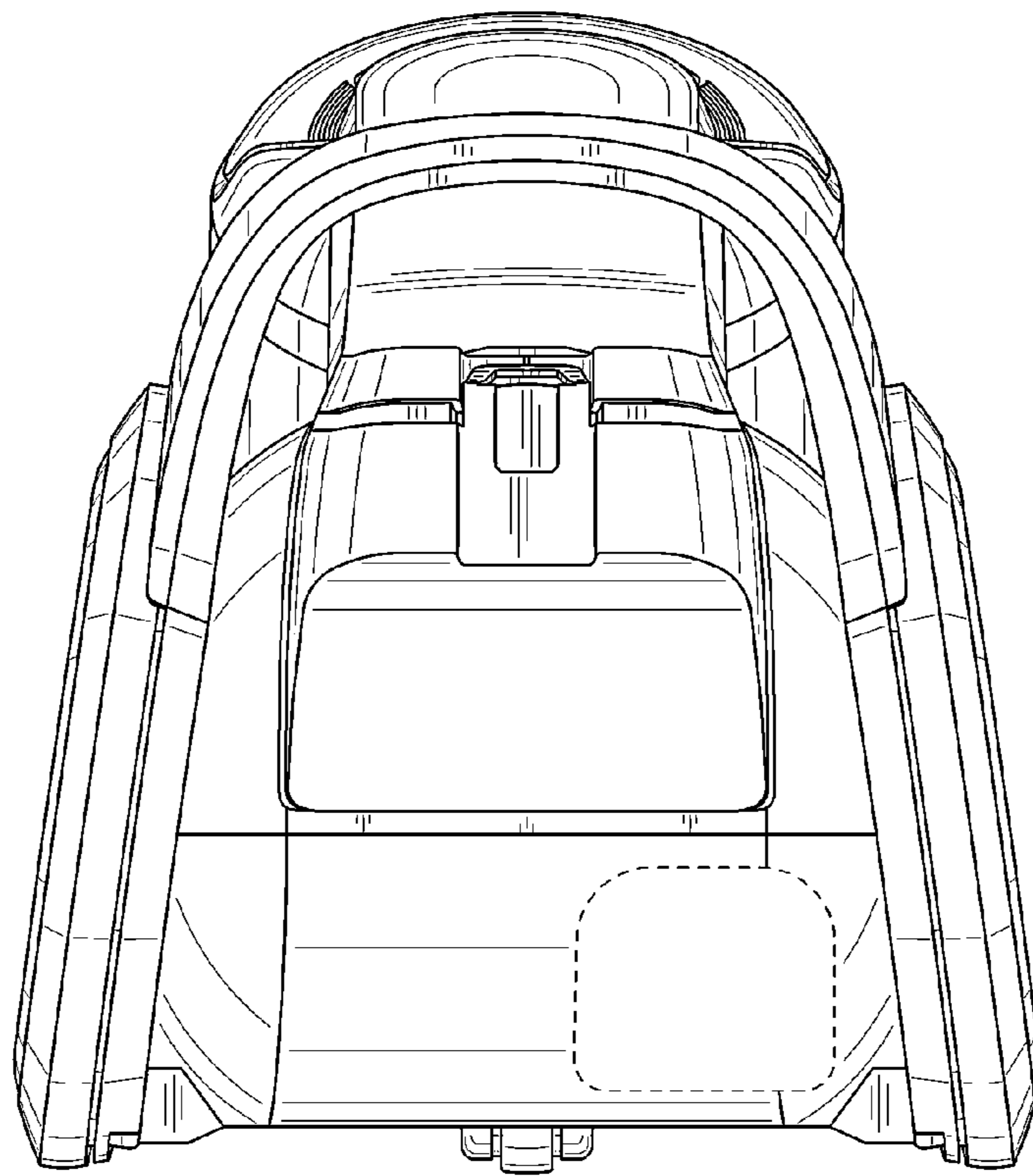


FIG. 4

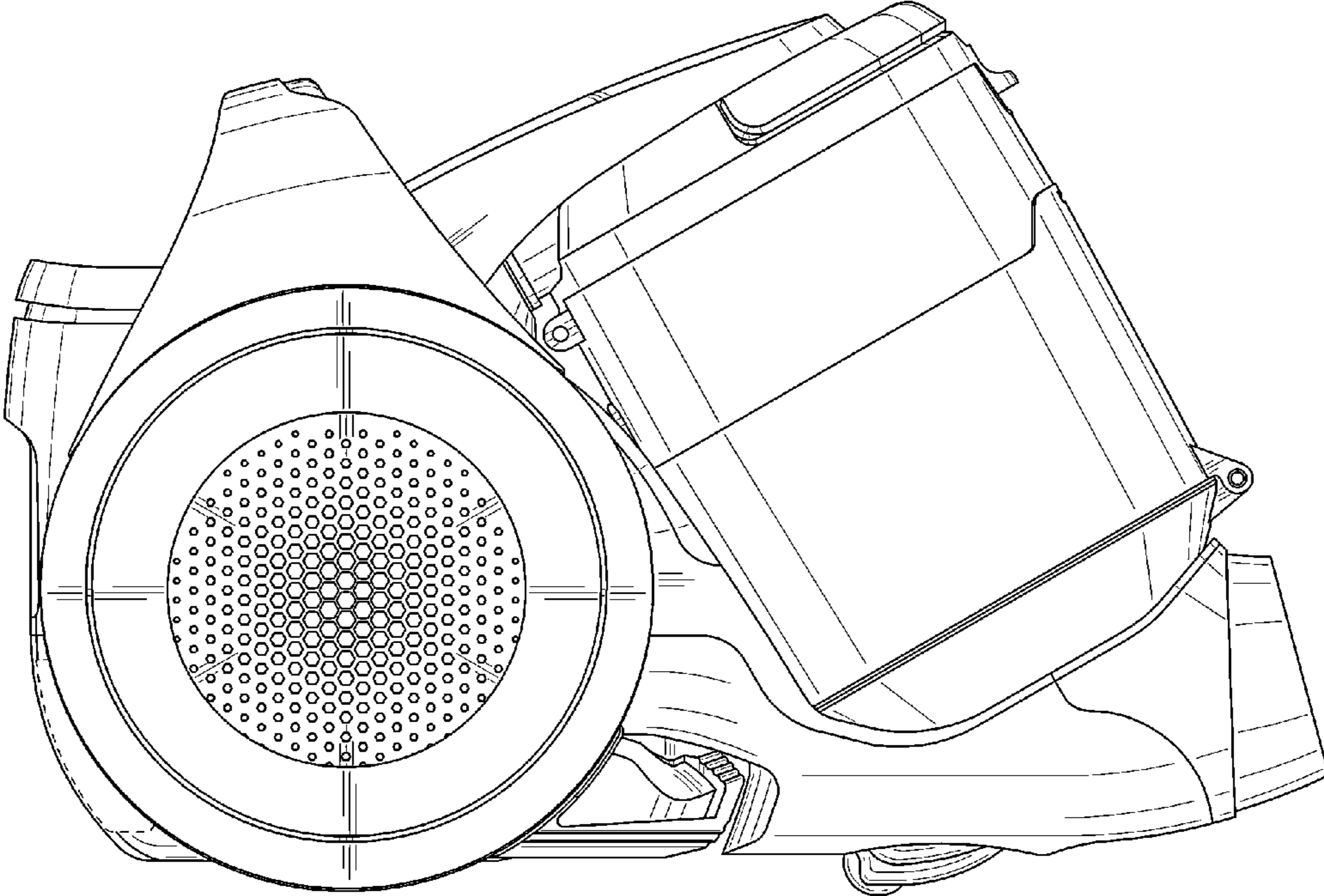


FIG. 5

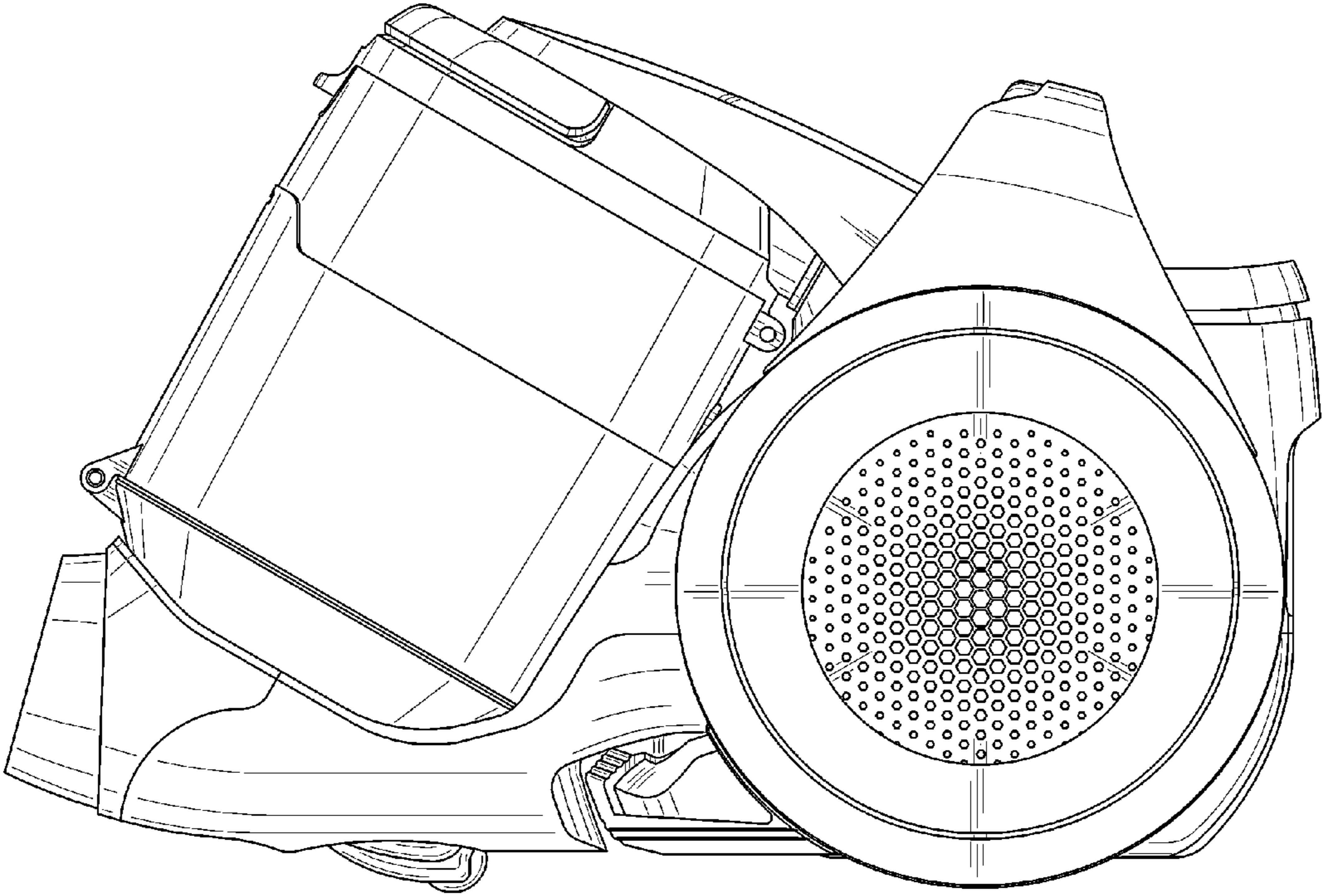


FIG. 6

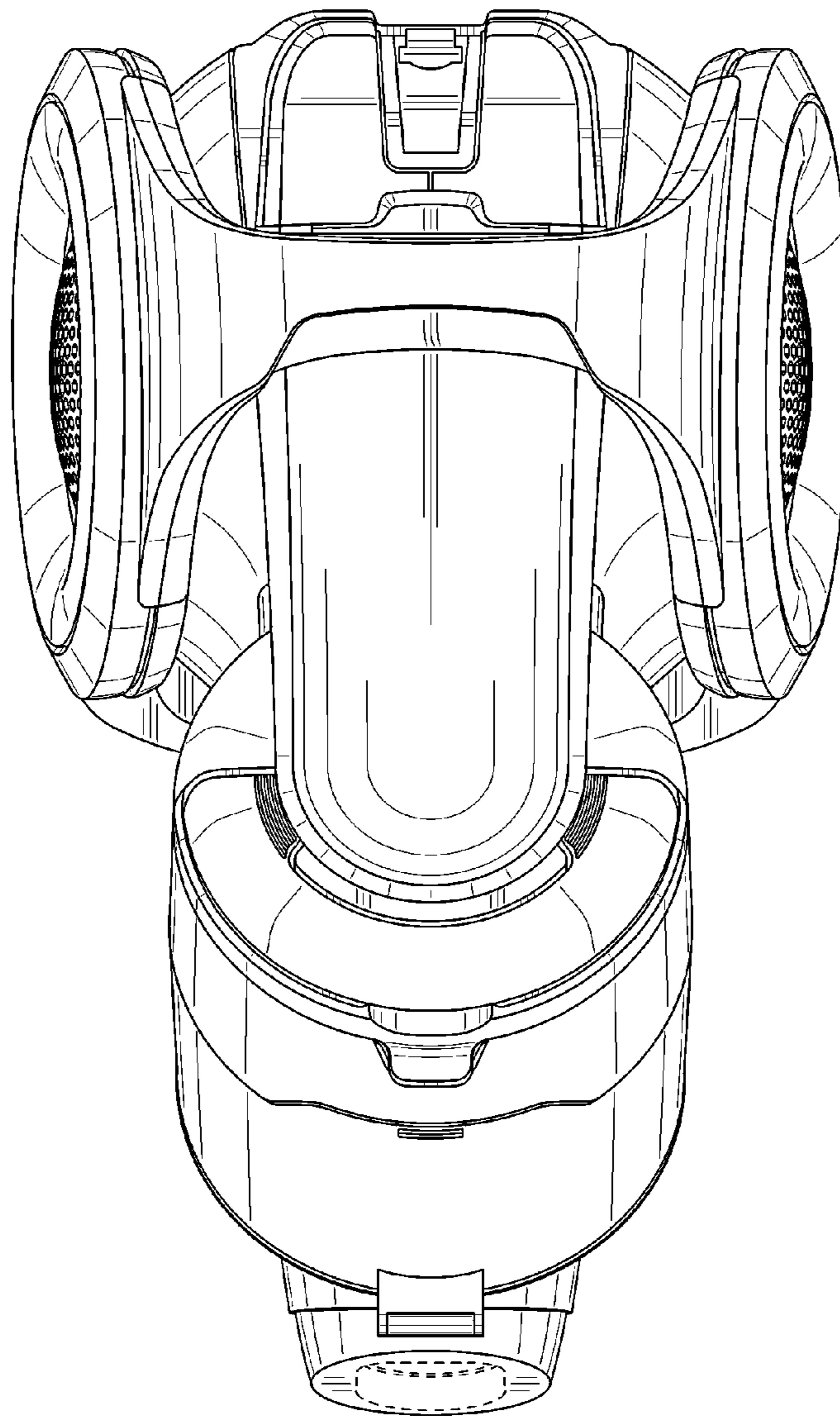


FIG. 7

