



US00D746522S

(12) **United States Design Patent**
Erlich et al.

(10) **Patent No.:** **US D746,522 S**
(45) **Date of Patent:** **** Dec. 29, 2015**

(54) **SUBMERSIBLE ELECTRIC-POWERED LEAF VACUUM CLEANER**

(71) Applicant: **Water Tech LLC**, East Brunswick, NJ (US)
(72) Inventors: **Guy Erlich**, Monroe Township, NJ (US);
James Kosmyna, Old Bridge, NJ (US);
John Many, Garnerville, NY (US);
Jonathan Elmaleh, Brooklyn, NY (US);
Curtis Elliott, Washington, NJ (US)
(73) Assignee: **Water Technology, LLC**, East Brunswick, NJ (US)

(**) Term: **14 Years**

(21) Appl. No.: **29/472,160**

(22) Filed: **Nov. 8, 2013**

(51) **LOC (10) Cl.** **15-05**

(52) **U.S. Cl.**
USPC **D32/15**

(58) **Field of Classification Search**
USPC D32/15, 19, 31, 25; 15/385, 50.1, 230,
15/14, 29, 98, 49.1, 28; 134/21, 16
CPC A47L 11/4038; A47L 11/4069; A46B 13/06;
A61C 17/26
See application file for complete search history.

(56) **References Cited**

U.S. PATENT DOCUMENTS

D161,174 S *	12/1950	Hainke	D15/14
2,782,452 A *	2/1957	Kitto et al.	15/385
D192,554 S *	4/1962	Holt	D32/19
3,058,136 A *	10/1962	Rachlin	15/50.1
3,164,855 A *	1/1965	Hencken	15/230.14

(Continued)

FOREIGN PATENT DOCUMENTS

CN	301581500	*	6/2011
CN	301948141	*	6/2012

OTHER PUBLICATIONS

Capital Carpet Care: Exceeding Expectations, Announced Apr. 29, 2007, [Site Visited Jul. 21, 2015] <http://www.capitalcarpetcare.co.uk/commercial.html>.*

(Continued)

Primary Examiner — Eric Goodman
Assistant Examiner — Luqman McNeil
(74) *Attorney, Agent, or Firm* — Abelman, Frayne & Schwab

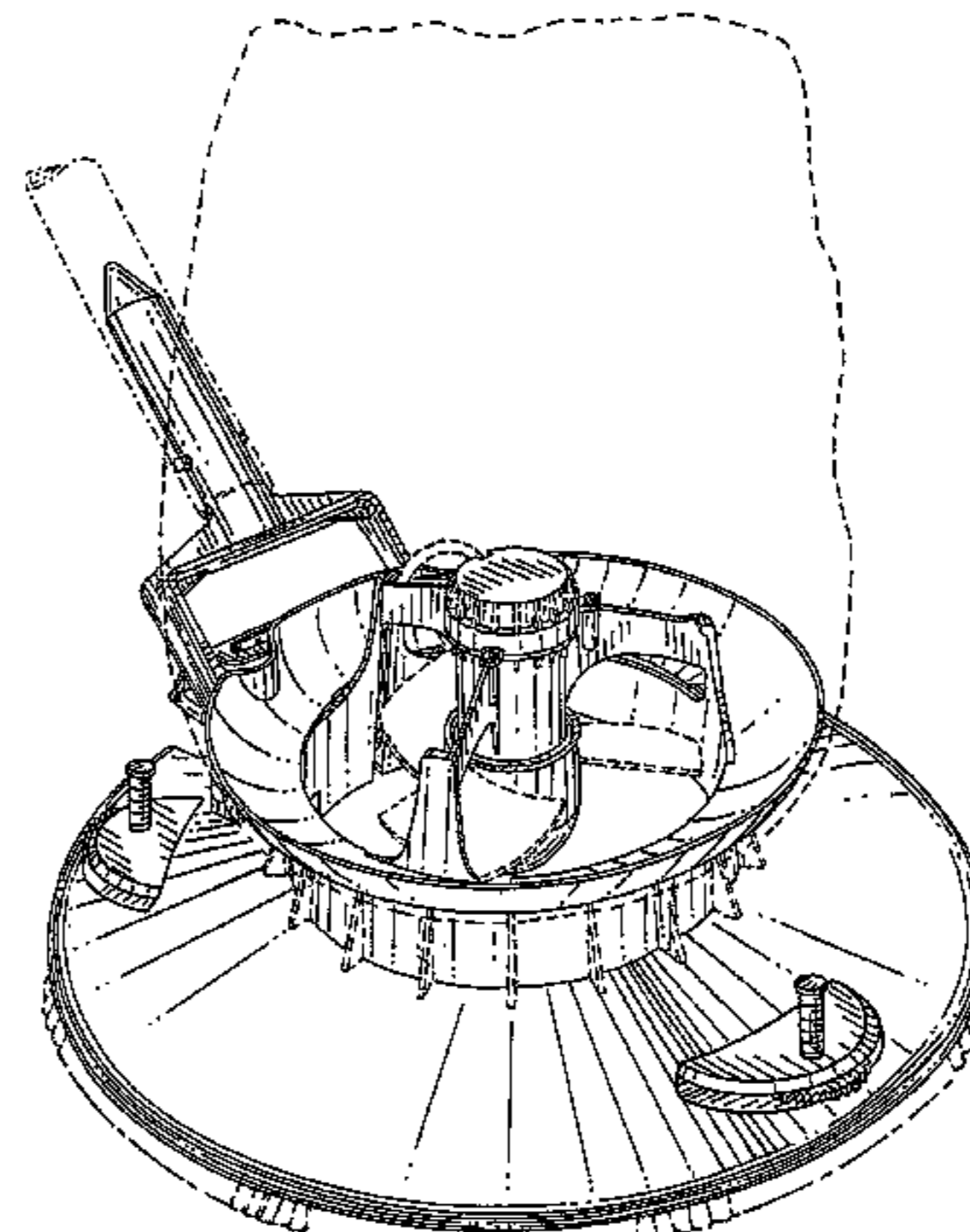
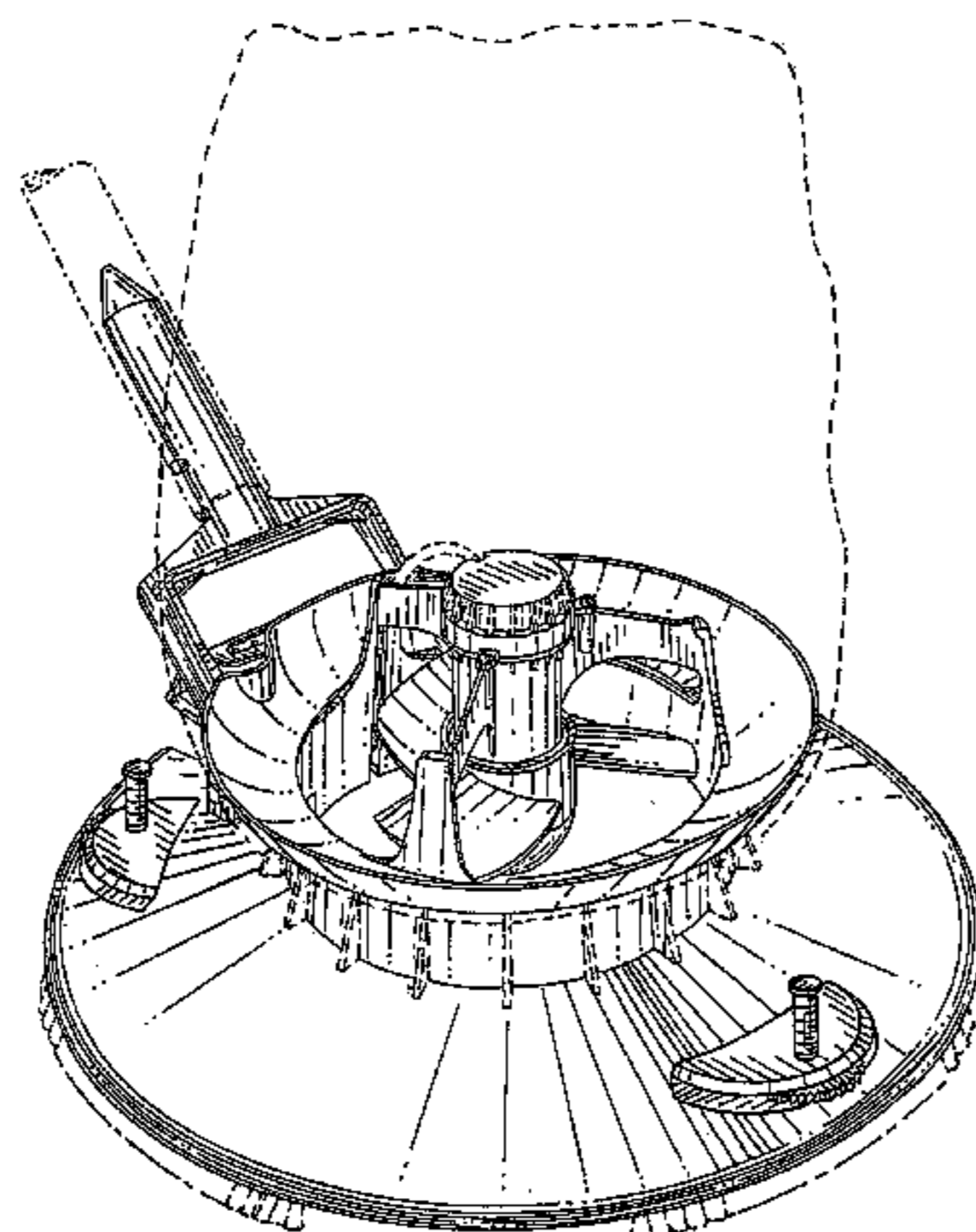
(57) **CLAIM**

The ornamental design for a submersible electric-powered leaf vacuum cleaner, as shown and described.

DESCRIPTION

FIG. 1 is a top, front, left side perspective view of a first embodiment of a submersible electric-powered leaf vacuum cleaner showing our new design;
FIG. 2 is a top plan view thereof;
FIG. 3 is a left side elevational view thereof, the right side being a mirror image thereof;
FIG. 4 is a front elevational view thereof;
FIG. 5 is a rear elevational view thereof;
FIG. 6 is a bottom plan view thereof;
FIG. 7 is a top, front, left side perspective view of a second embodiment of the submersible electric-powered leaf vacuum cleaner showing our new design;
FIG. 8 is a top plan view thereof;
FIG. 9 is a left side elevational view thereof, the right side being a mirror image thereof;
FIG. 10 is a front elevational view thereof;
FIG. 11 is a rear elevational view thereof; and,
FIG. 12 is a bottom plan view thereof.
The broken lines showing structural features are included for the purpose of illustrating non-claimed subject matter and form no part of the claimed design.

1 Claim, 12 Drawing Sheets



(56)

References Cited

U.S. PATENT DOCUMENTS

3,314,099 A * 4/1967 Otto 15/385
 3,731,334 A * 5/1973 Carbonell 15/50.1
 3,961,393 A 6/1976 Pansini
 D244,524 S * 5/1977 Howard et al. D32/31
 4,084,281 A * 4/1978 Smith 15/29
 4,191,590 A * 3/1980 Sundheim 134/21
 4,264,999 A * 5/1981 Monson 15/321
 4,524,477 A * 6/1985 Williams et al. 15/50.1
 4,724,567 A * 2/1988 Ronese 15/98
 D296,250 S * 6/1988 Genovese D32/19
 4,903,364 A * 2/1990 Long 15/50.1
 D315,235 S * 3/1991 Berfield et al. D32/31
 D317,668 S * 6/1991 Bolser et al. D32/19
 5,058,229 A * 10/1991 Plazanet 15/49.1
 5,078,161 A * 1/1992 Raghavan et al. 134/16
 D324,930 S * 3/1992 Pino D32/23
 5,157,873 A * 10/1992 Rudolf et al. 451/342

5,265,805 A * 11/1993 Artenian 239/135
 D375,591 S * 11/1996 Fryoux D32/15
 D384,448 S * 9/1997 Stephens et al. D32/23
 D420,476 S * 2/2000 Rohn et al. D32/31
 6,374,447 B1 * 4/2002 Armbruster et al. 15/28
 D497,697 S * 10/2004 Alsrue et al. D32/25
 D498,028 S * 11/2004 Alsrue et al. D32/25
 D498,889 S * 11/2004 Alsrue et al. D32/25
 D525,001 S * 7/2006 Vassanelli D32/15
 D544,656 S * 6/2007 Bloch D32/1
 D595,909 S * 7/2009 Barnes et al. D32/16
 D611,664 S * 3/2010 Sebor D32/15
 D659,310 S * 5/2012 Dammkoehler D32/19

OTHER PUBLICATIONS

Cleaning Services—Octavio’s Carpet Cleaning & Janitorial Services, Announced Jul. 30, 2012, [Site Visited Jul. 21, 2015] <http://www.octaviosenid.com/cleaning-services/>.*

* cited by examiner

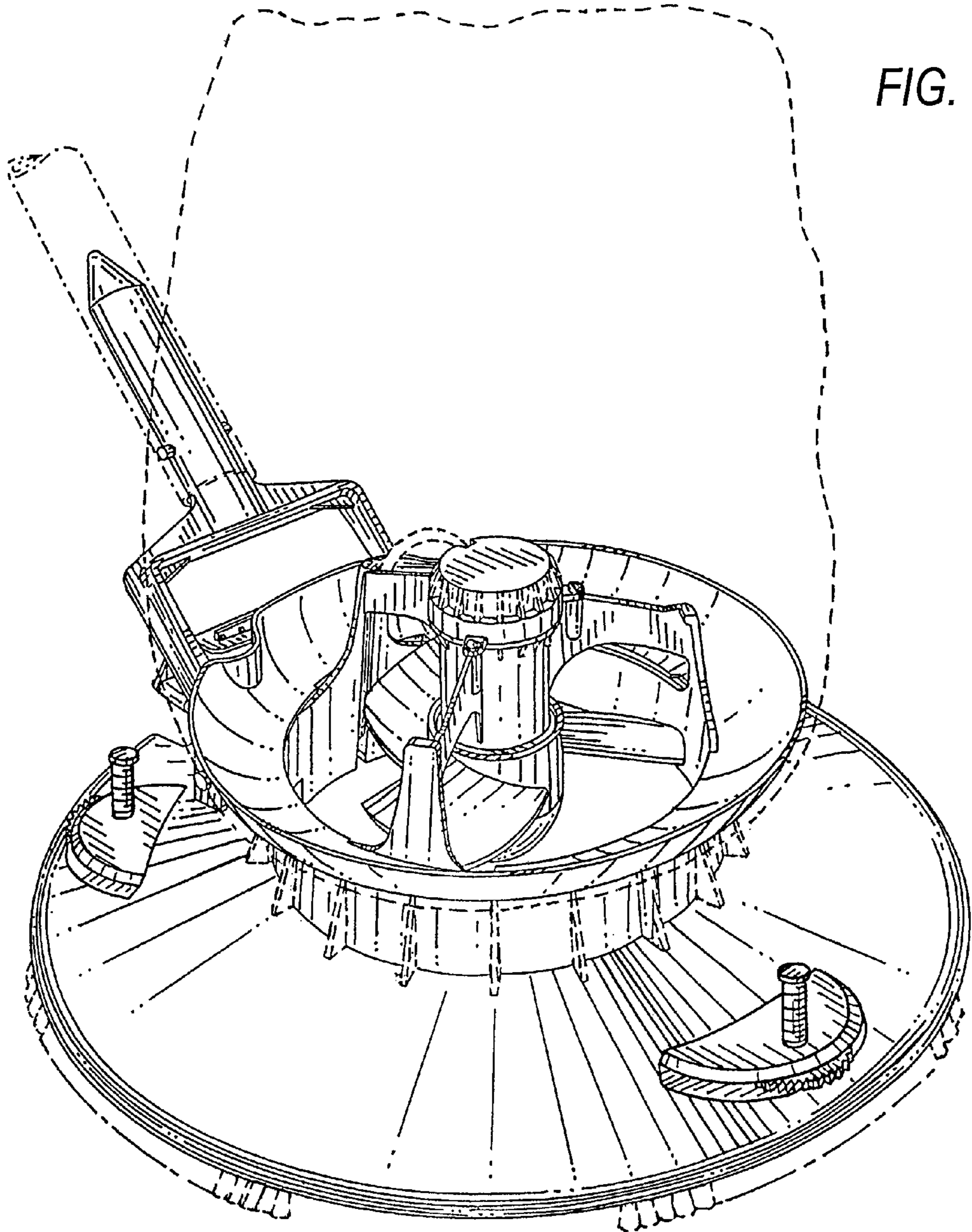


FIG. 1

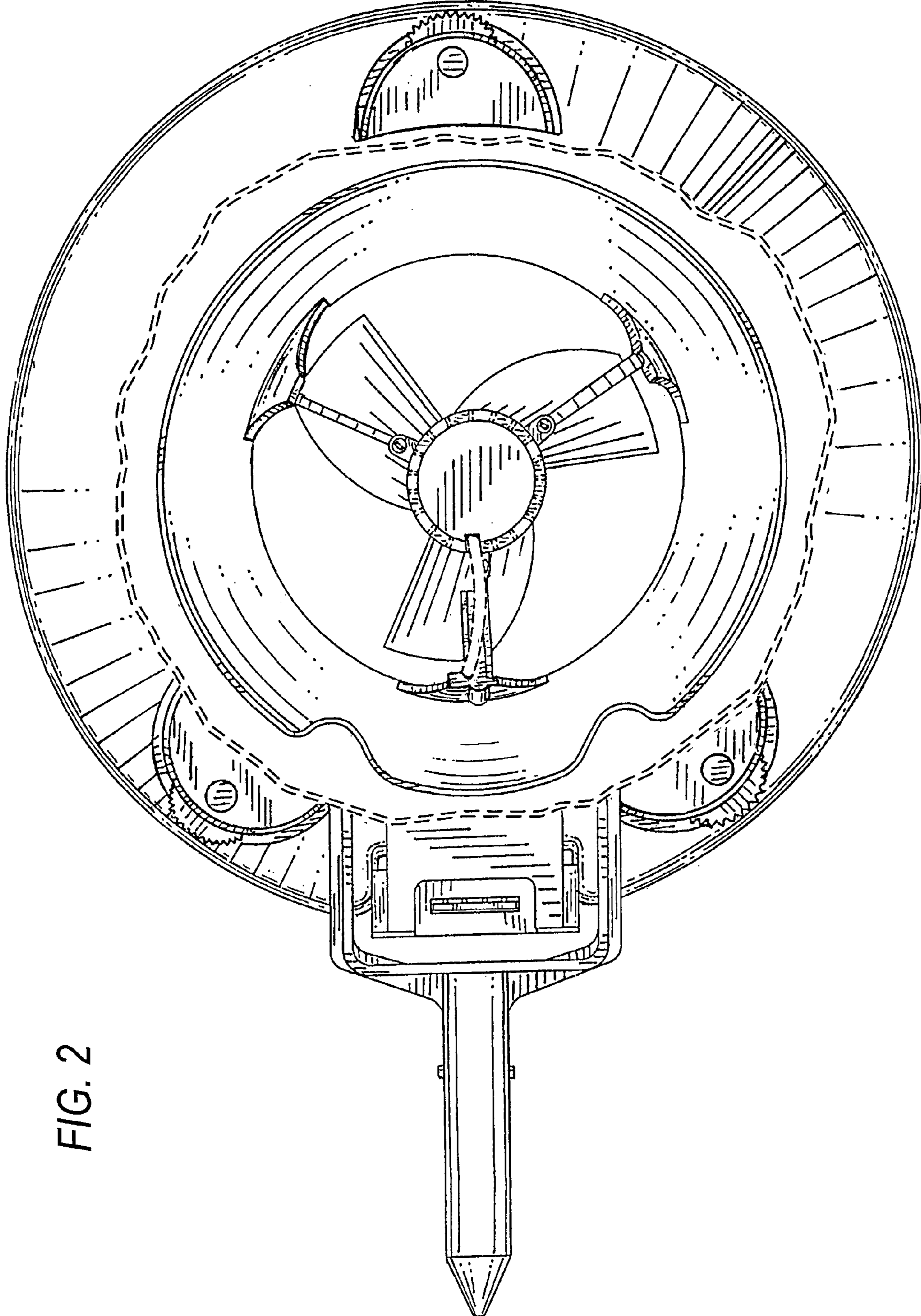


FIG. 2

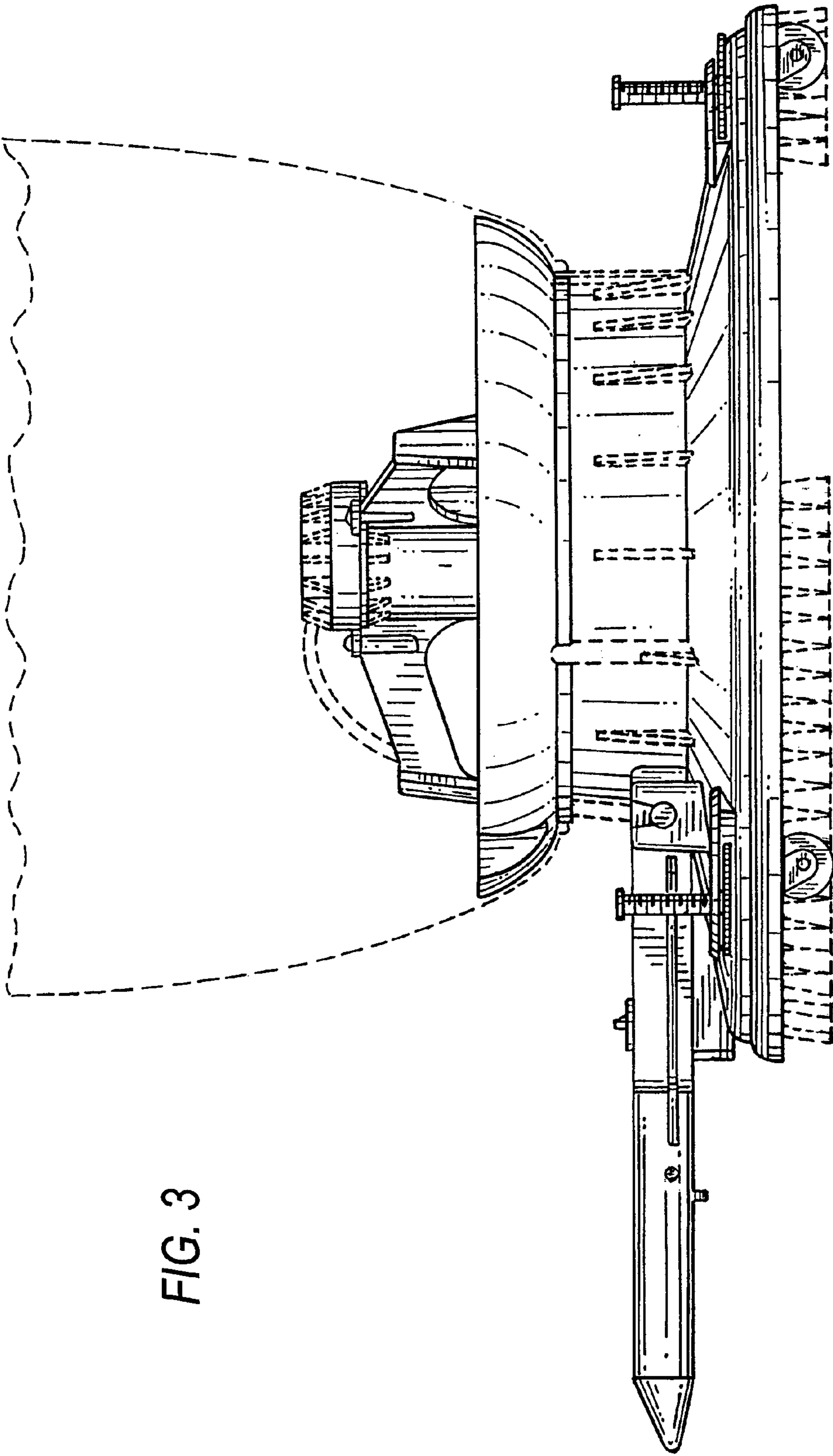


FIG. 3

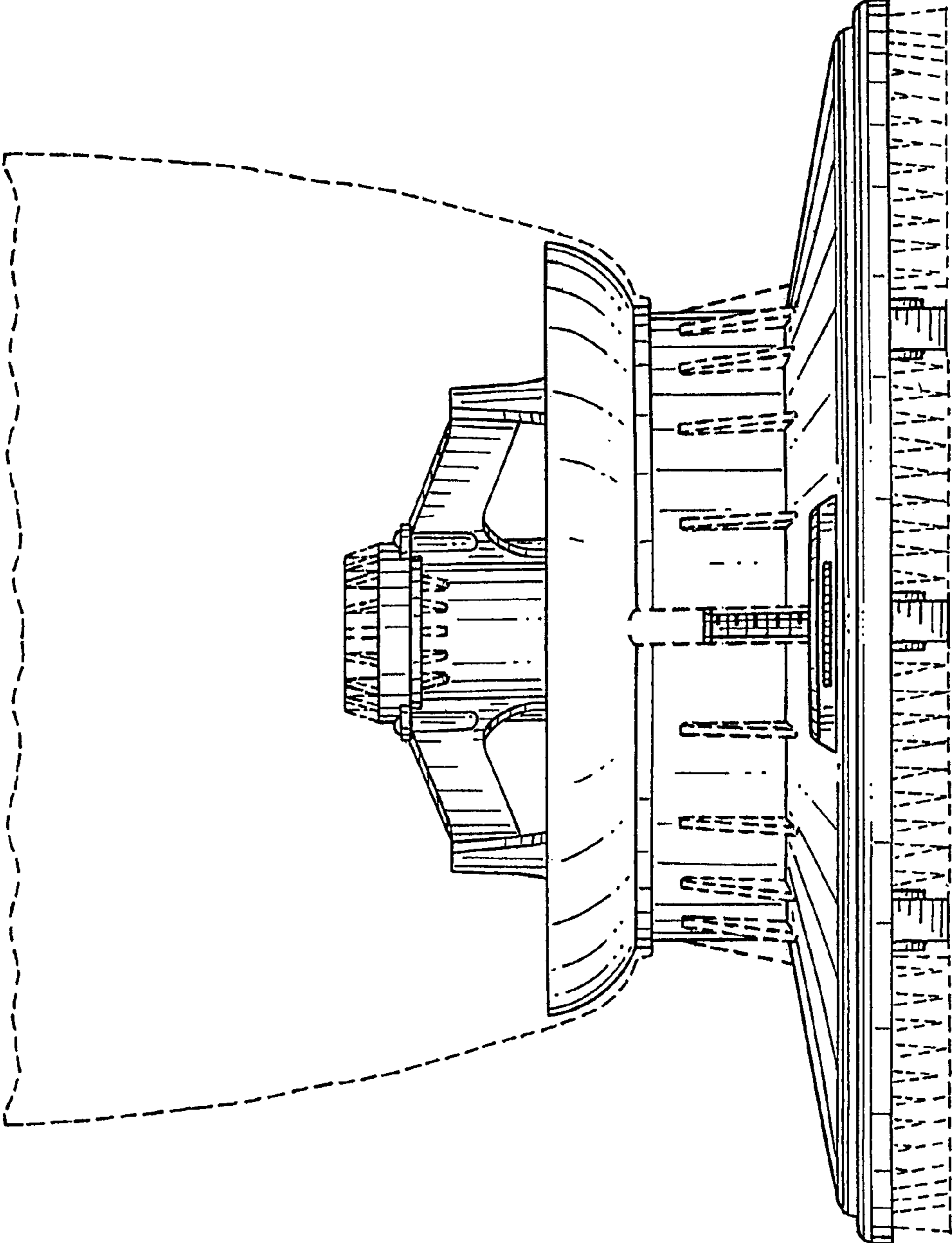


FIG. 4

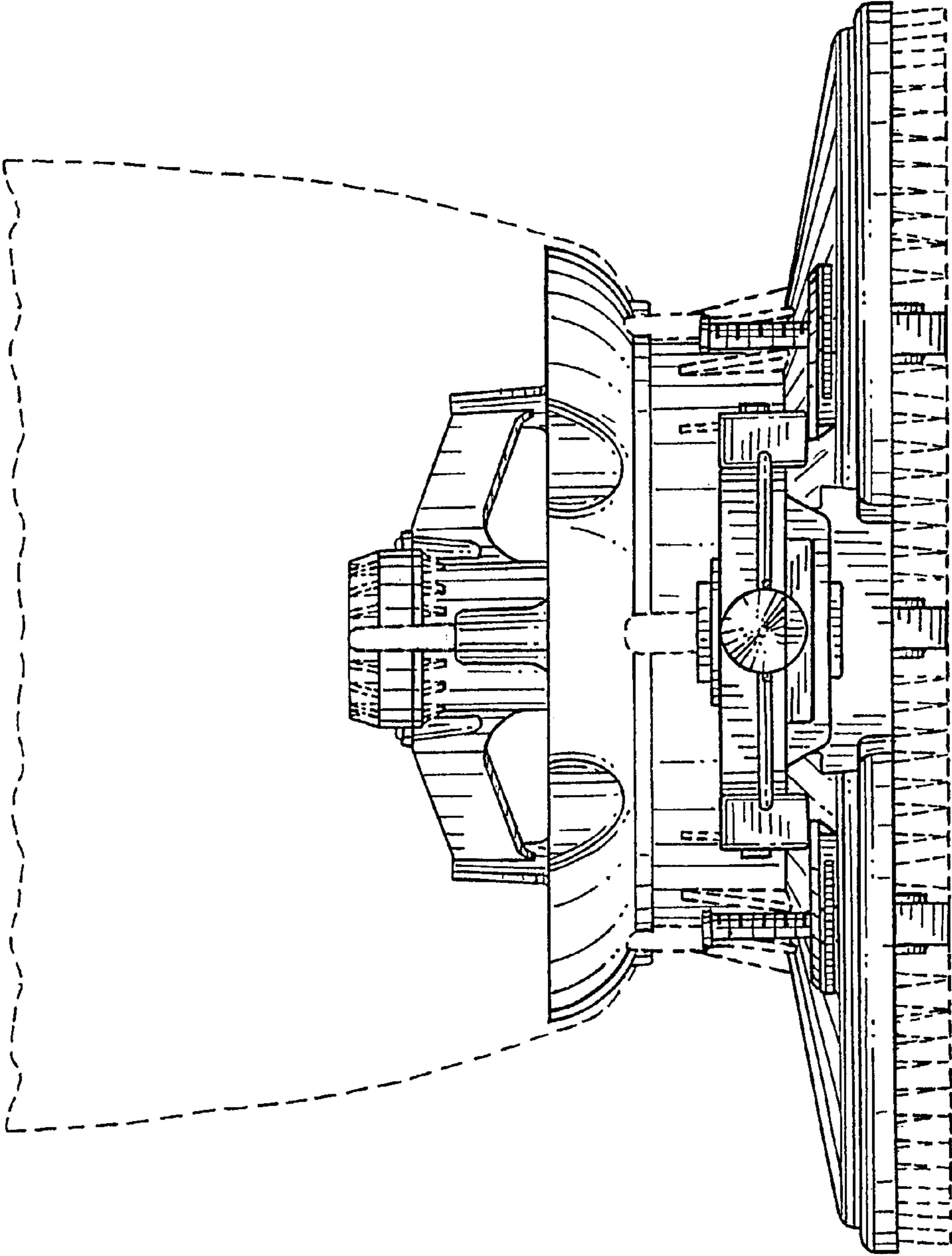


FIG. 5

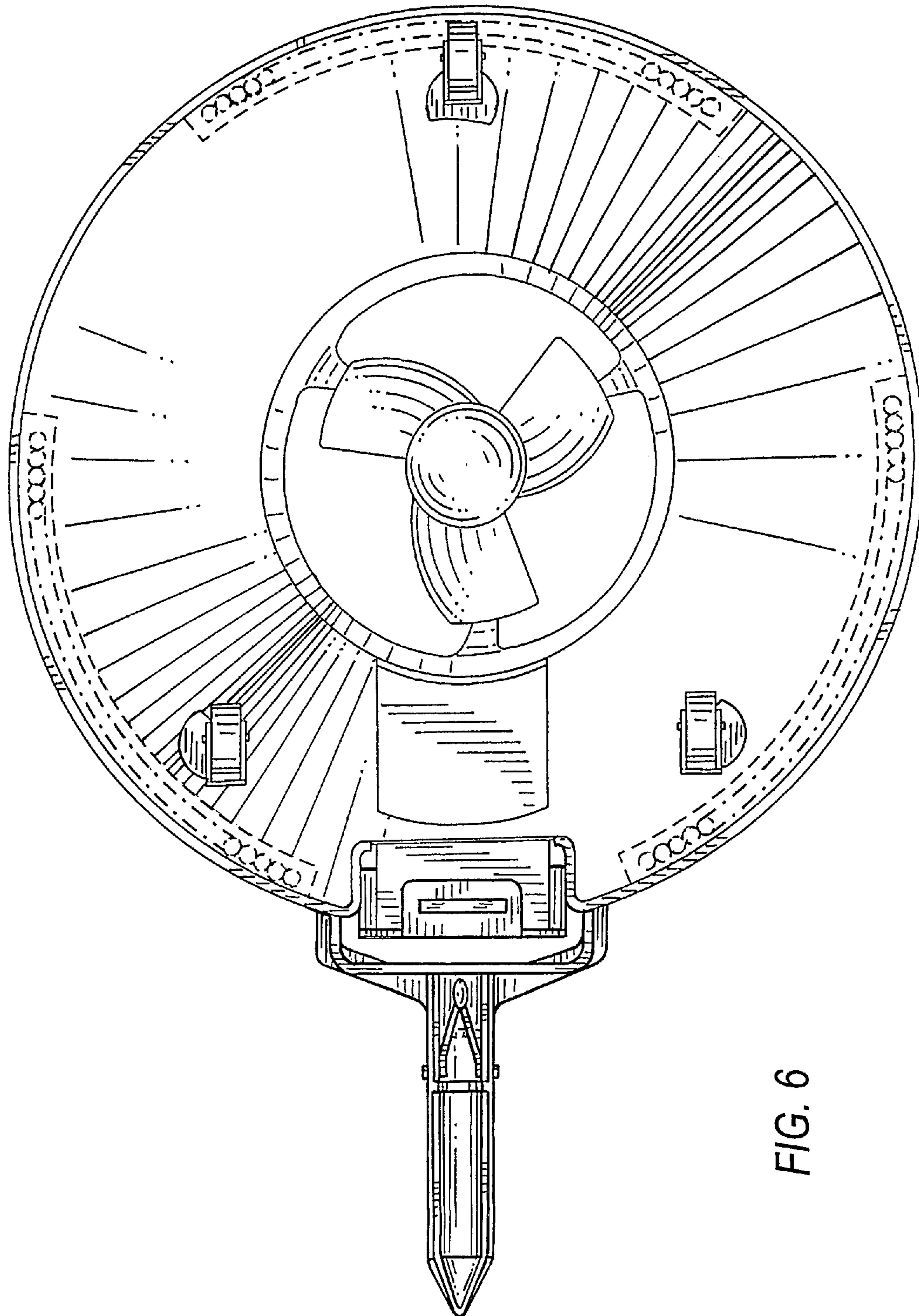


FIG. 6

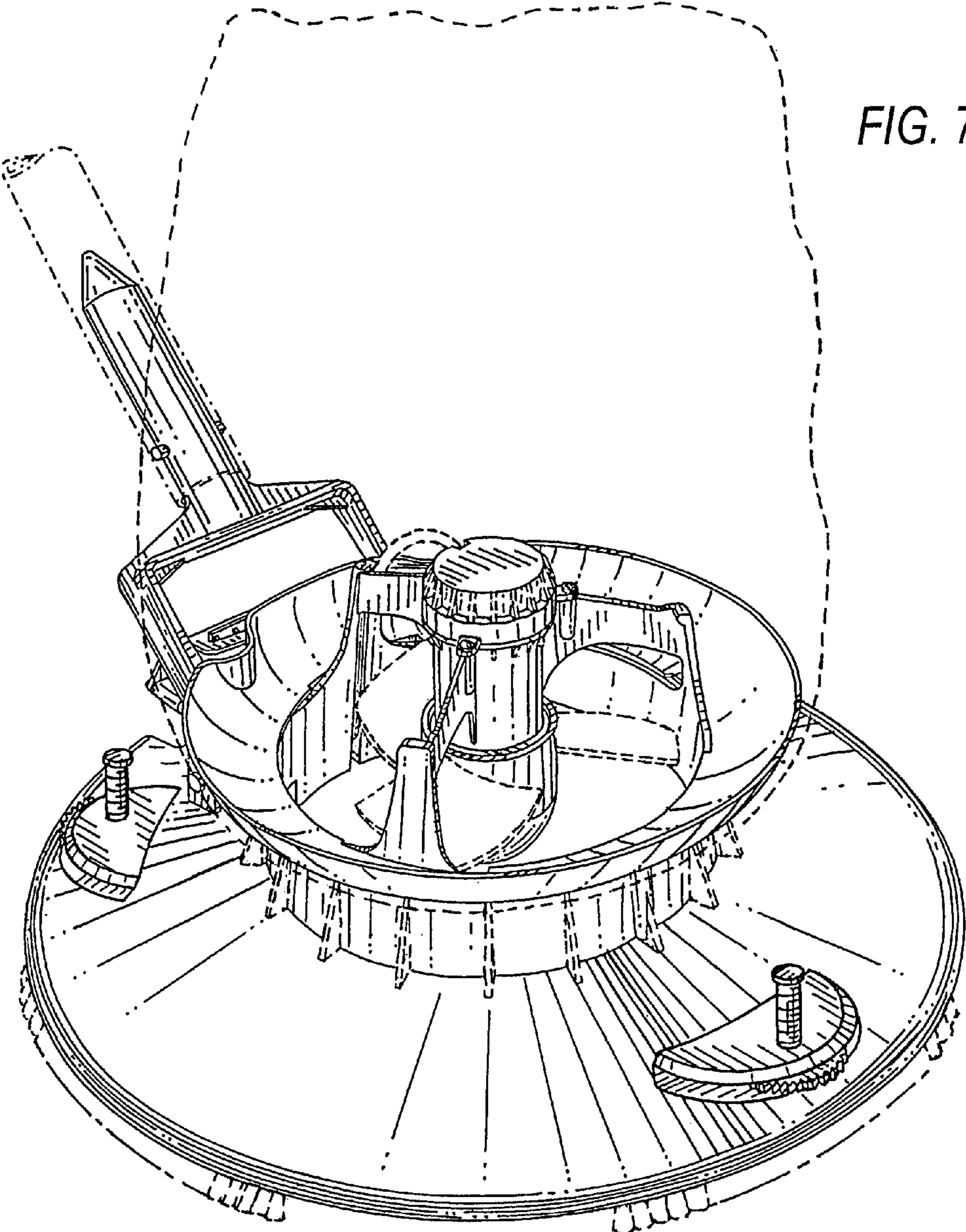


FIG. 7

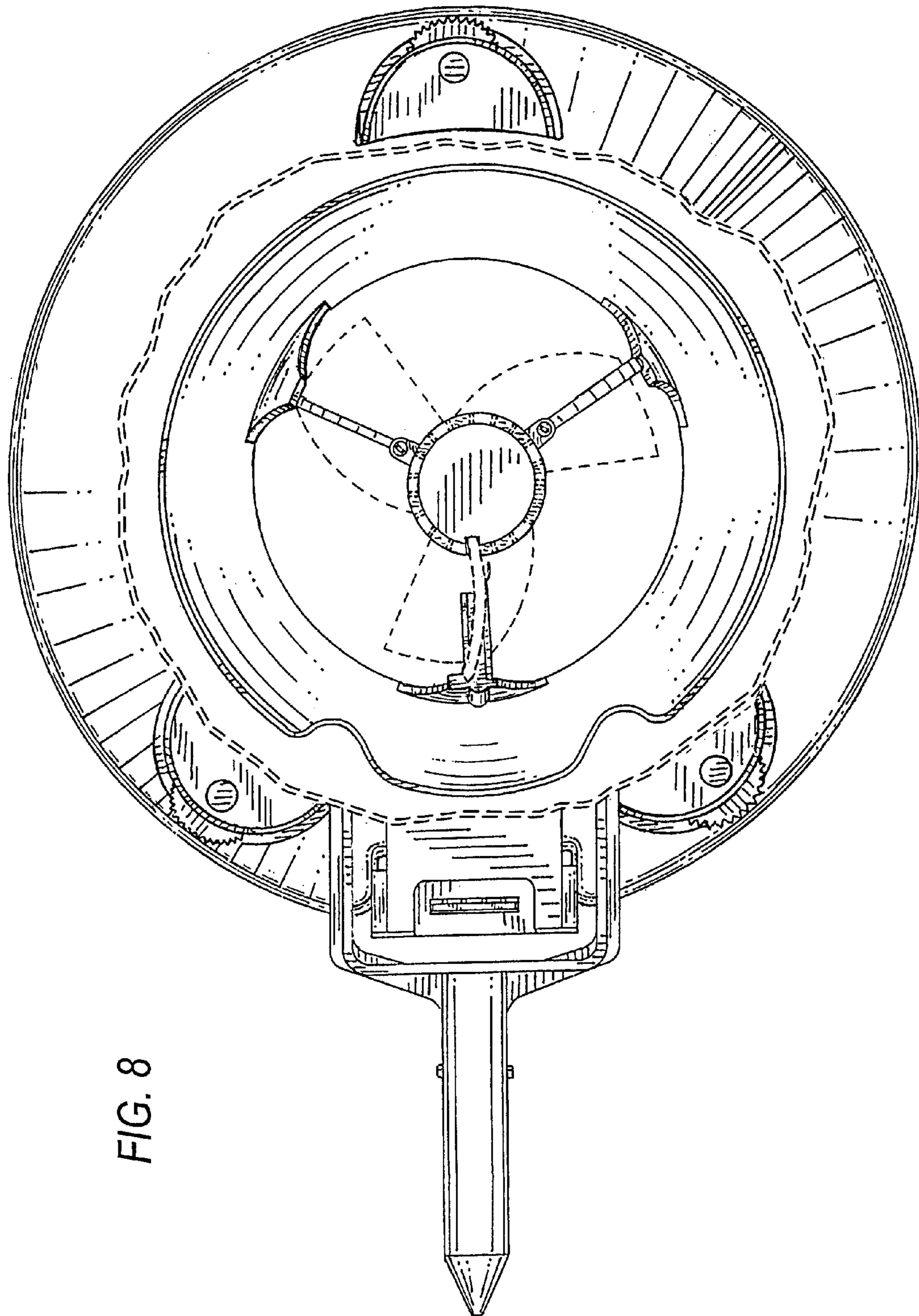


FIG. 8

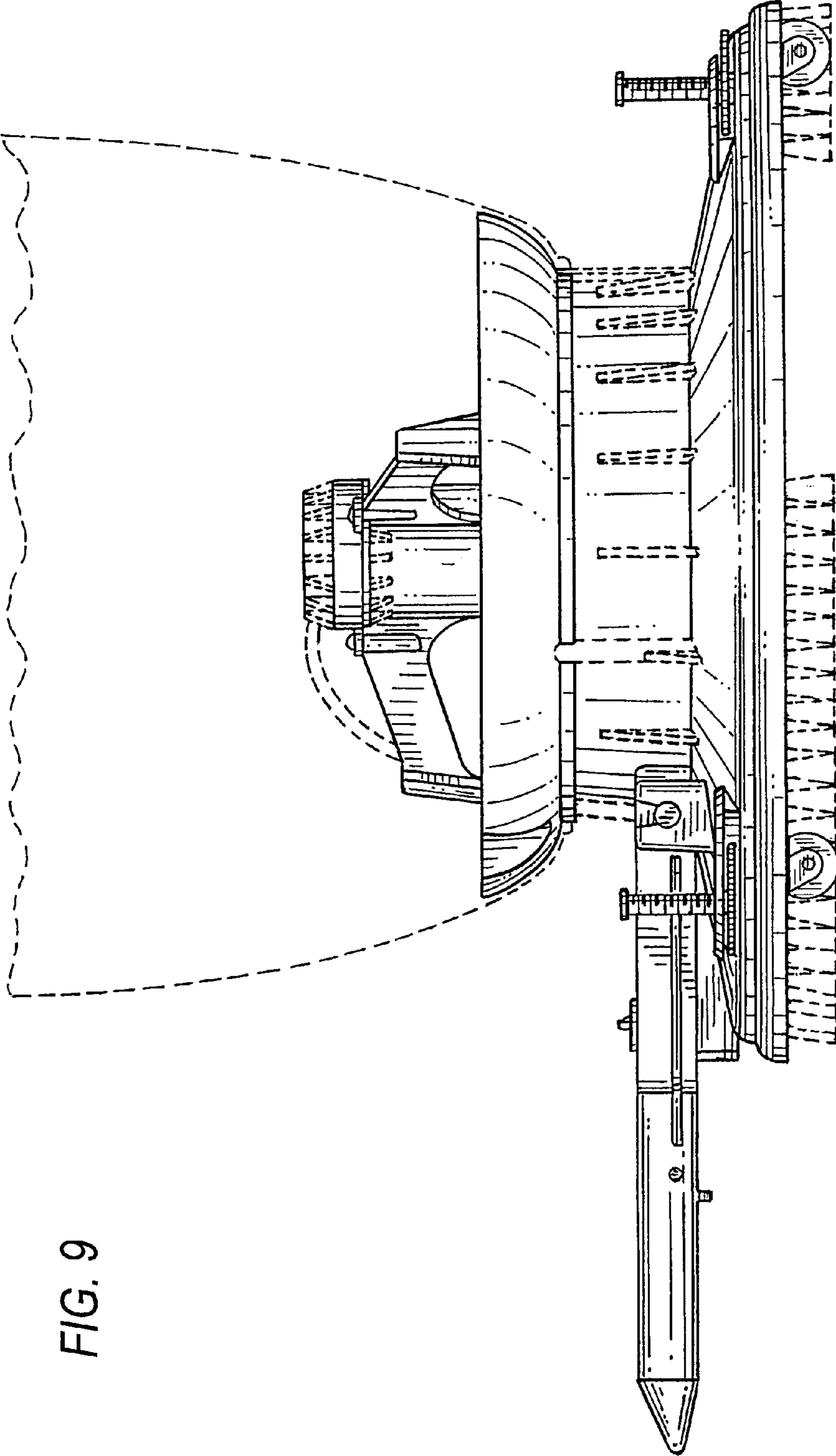


FIG. 9

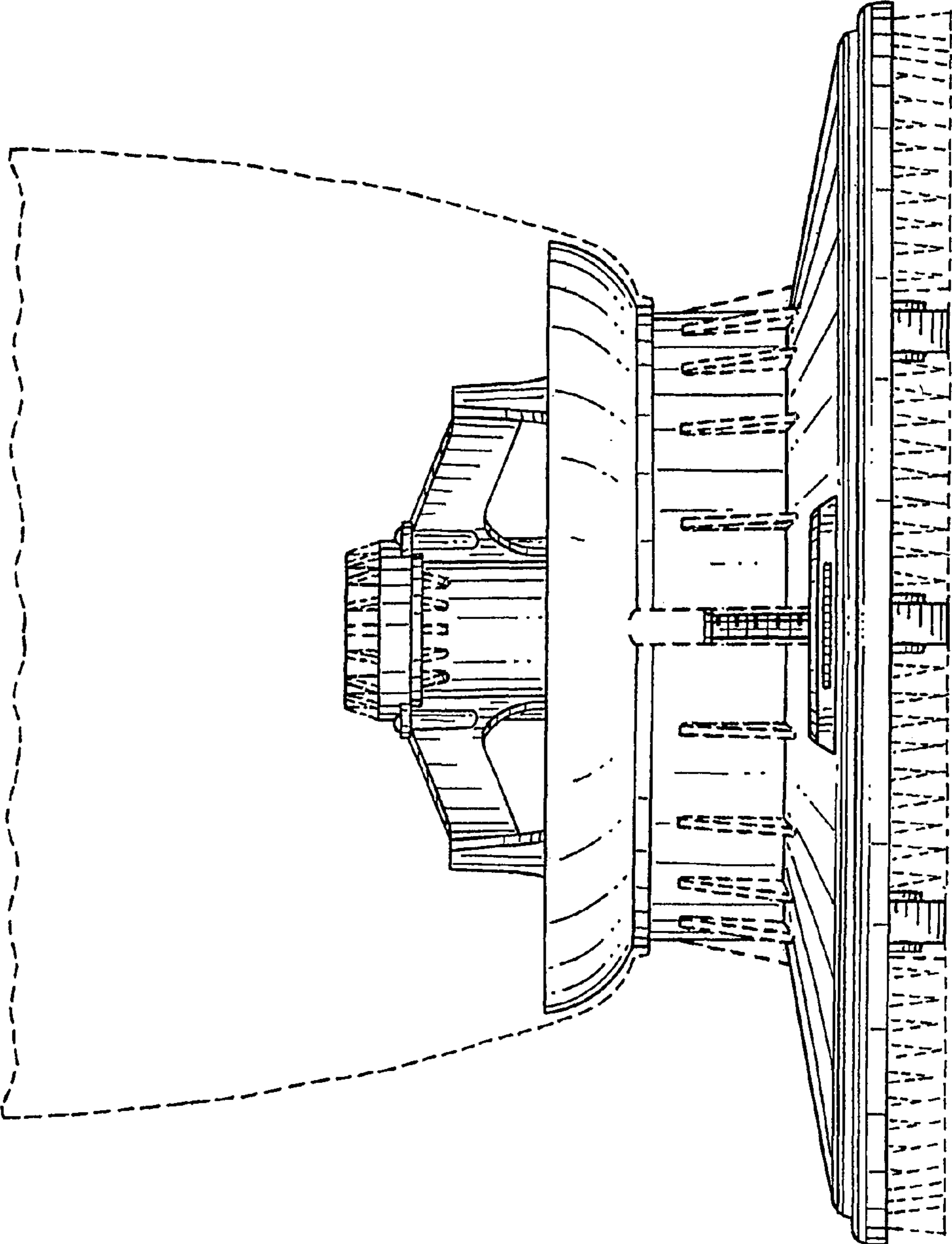


FIG. 10

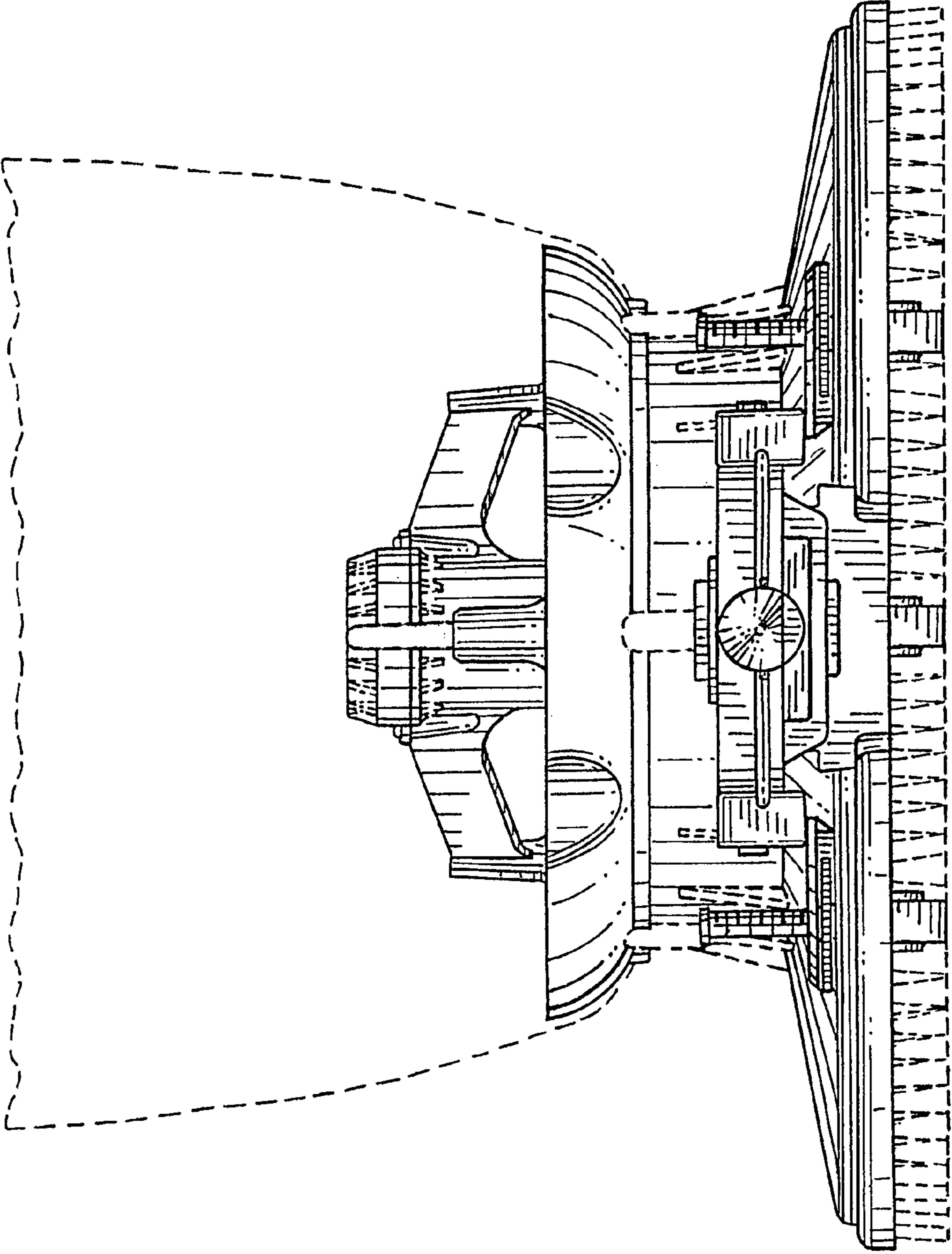


FIG. 11

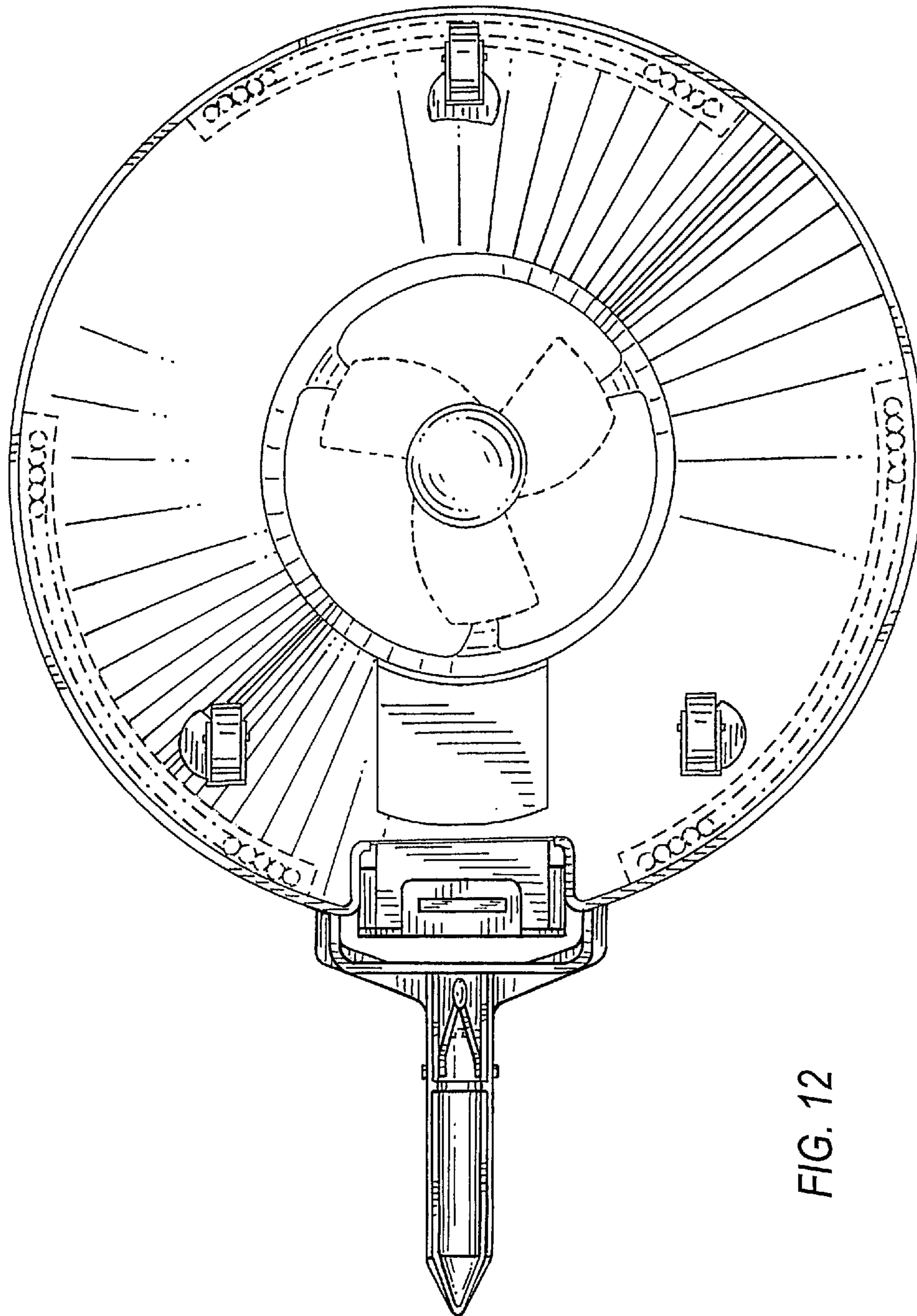


FIG. 12