



US00D746521S

(12) **United States Design Patent**
Ha et al.

(10) **Patent No.:** **US D746,521 S**

(45) **Date of Patent:** **** *Dec. 29, 2015**

(54) **WASHING MACHINE**

(71) Applicant: **LG Electronics Inc.**, Seoul (KR)

(72) Inventors: **Youngsoo Ha**, Seoul (KR); **Jonghee Han**, Gyeonggi-do (KR); **Jeaseok Seong**, Gyeonggi-do (KR); **On Kim**, Seoul (KR); **Hyerim An**, Seoul (KR); **Kyungah Lee**, Gyeonggi-do (KR)

(73) Assignee: **LG Electronics Inc.**, Seoul (KR)

(*) Notice: This patent is subject to a terminal disclaimer.

(**) Term: **14 Years**

(21) Appl. No.: **29/462,880**

(22) Filed: **Aug. 9, 2013**

(30) **Foreign Application Priority Data**

Apr. 18, 2013 (KR) 30-2013-0020381

(51) **LOC (10) Cl.** **15-05**

(52) **U.S. Cl.**
USPC **D32/6**

(58) **Field of Classification Search**

USPC D32/6, 25, 1, 5, 8; 34/58, 108,
34/130-131, 523, 595-597, 603; 68/3 R, 4,
68/5 R, 12.01, 12.08, 212

See application file for complete search history.

(56) **References Cited**

U.S. PATENT DOCUMENTS

D457,991 S * 5/2002 Baldwin et al. D32/6
D517,257 S * 3/2006 Kim et al. D32/6
D517,258 S * 3/2006 Ha et al. D32/6
D517,259 S * 3/2006 Ha et al. D32/6
D517,262 S * 3/2006 Ha et al. D32/25

D542,986 S * 5/2007 Crookshanks D32/6
D542,987 S * 5/2007 Crookshanks D32/6
D549,896 S * 8/2007 Suh D32/6

(Continued)

FOREIGN PATENT DOCUMENTS

KR 300286086.0000 * 12/2001

OTHER PUBLICATIONS

Super Mom Smashes Washing Machine After Realizing Her Daughter is Inside, Announced Nov. 9, 2011, [Site Visited Feb. 25, 2015] <http://www.mommyish.com/2011/11/09/mother-washing-machine-saves-daughter-603/>.*

(Continued)

Primary Examiner — Eric Goodman

Assistant Examiner — Luqman McNeil

(74) *Attorney, Agent, or Firm* — Morgan, Lewis & Bockius LLP

(57) **CLAIM**

The ornamental design for a washing machine, as shown and described.

DESCRIPTION

FIG. 1 is a perspective view of a washing machine showing our new design;

FIG. 2 is a front view thereof;

FIG. 3 is a rear view thereof;

FIG. 4 is a left side view thereof;

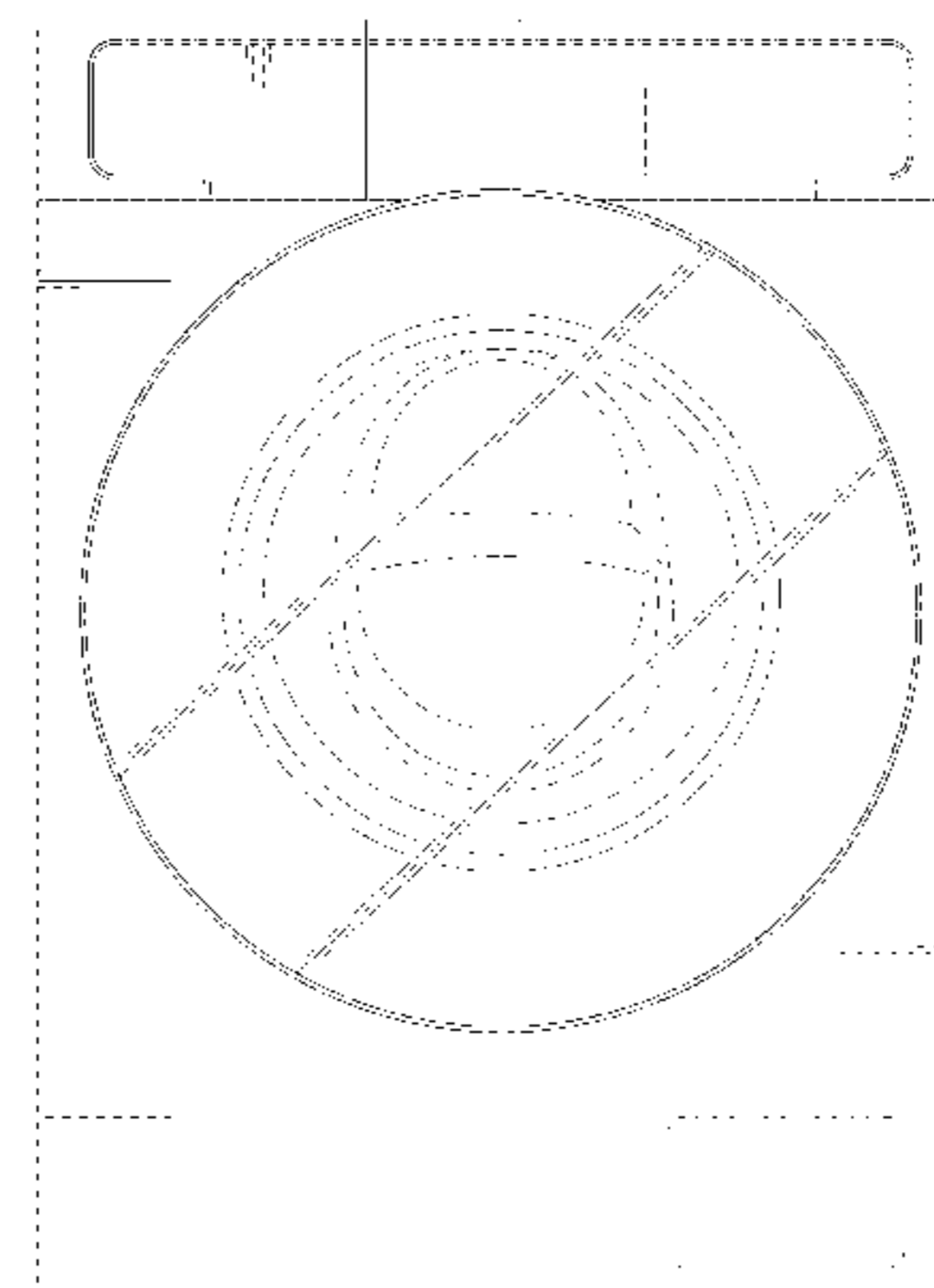
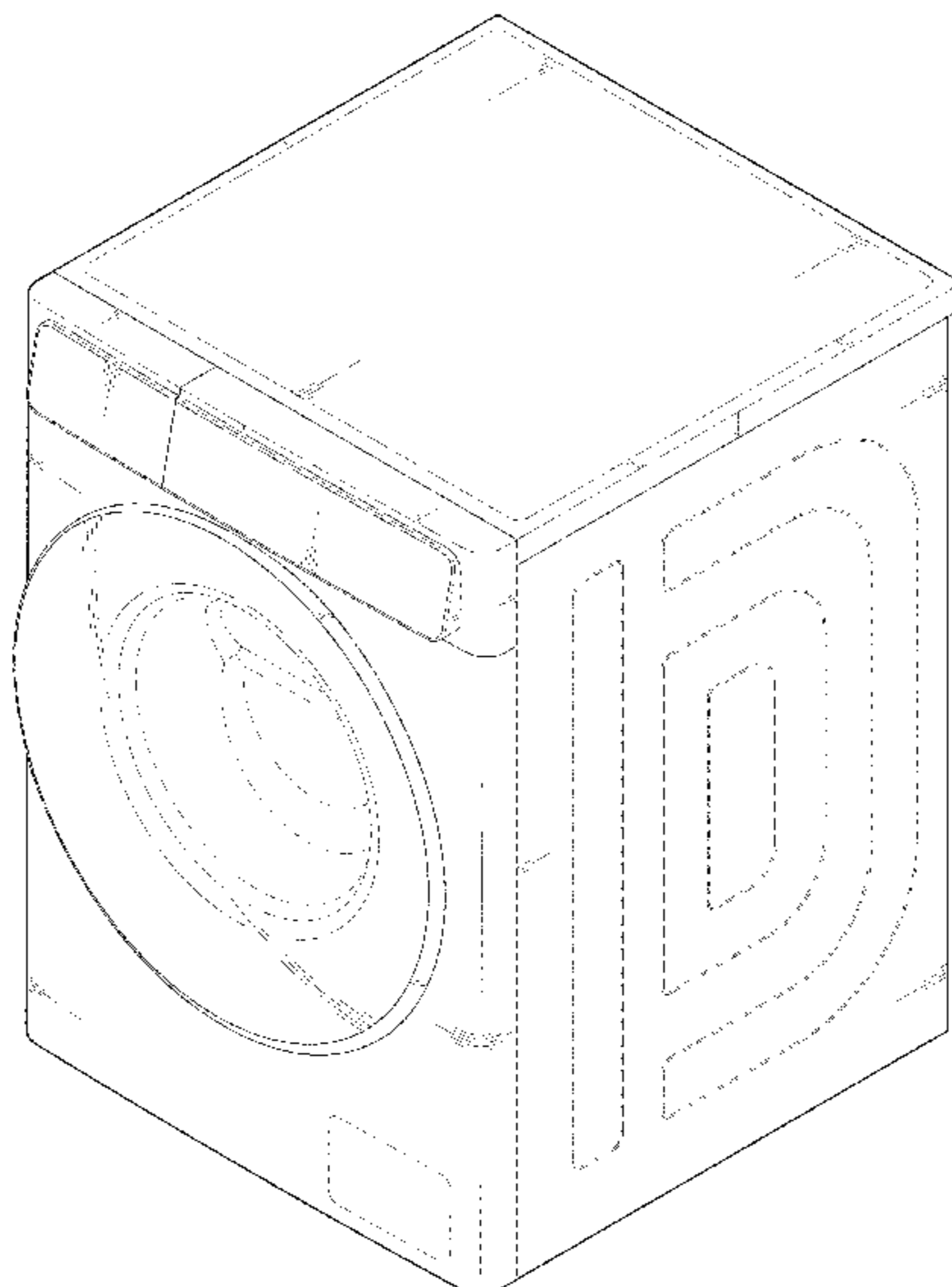
FIG. 5 is a right side view thereof;

FIG. 6 is a top plan view thereof; and,

FIG. 7 is a bottom plan view thereof.

The broken lines are for illustrative purposes only and form no part of the claimed design.

1 Claim, 7 Drawing Sheets



(56)

References Cited

OTHER PUBLICATIONS

U.S. PATENT DOCUMENTS

D549,901	S	*	8/2007	Kwon et al.	D32/6
D550,907	S	*	9/2007	Jeon et al.	D32/6
D552,807	S	*	10/2007	Jeon et al.	D32/6
D559,480	S	*	1/2008	Kwon et al.	D32/6
D561,957	S	*	2/2008	Browne et al.	D32/6
D566,347	S	*	4/2008	Cao et al.	D32/1
D572,419	S	*	7/2008	Park et al.	D32/6
D575,913	S	*	8/2008	Jeon et al.	D32/6
D576,362	S	*	9/2008	Park et al.	D32/6
D577,162	S	*	9/2008	Shail et al.	D32/6
D579,610	S	*	10/2008	Jeon et al.	D32/6
D588,757	S	*	3/2009	Park et al.	D32/6
D599,508	S	*	9/2009	Choi et al.	D32/6
D627,114	S	*	11/2010	Jeon et al.	D32/6
D649,722	S	*	11/2011	Chung et al.	D32/6
D663,908	S	*	7/2012	Jeon et al.	D32/6

AEG Protex—Welded Tub?, Announced Sep. 3, 2011, [Site Visited Feb. 25, 2015]<http://www.automaticwasher.org/cgi-bin/TD/TD-VIEWTHREAD.cgi?36229>.*

Appliance Doctor NJ Washer and Dryer NJ, Announced Jul. 1, 2010, [Site Visited Feb. 25, 2015] <http://appliancerepairprincetonnj.info/washer-and-dryer-repair/>.*

Samsung Washing Machine Price List, Announced Oct. 11, 2011, [Site Visited Feb. 25, 2015] <http://priceinfoworld.com/electronics/samsung-washing-machine-price-in-india>.*

House Design News V-ZUG Adora SLQ Washer, Announced Jul. 20, 2011, [Site Visited Feb. 25, 2015]http://housedesignnewsworld.blogspot.com/2011/07/homeditcom-interior-design-architecture_20.html.*

* cited by examiner

FIG. 1

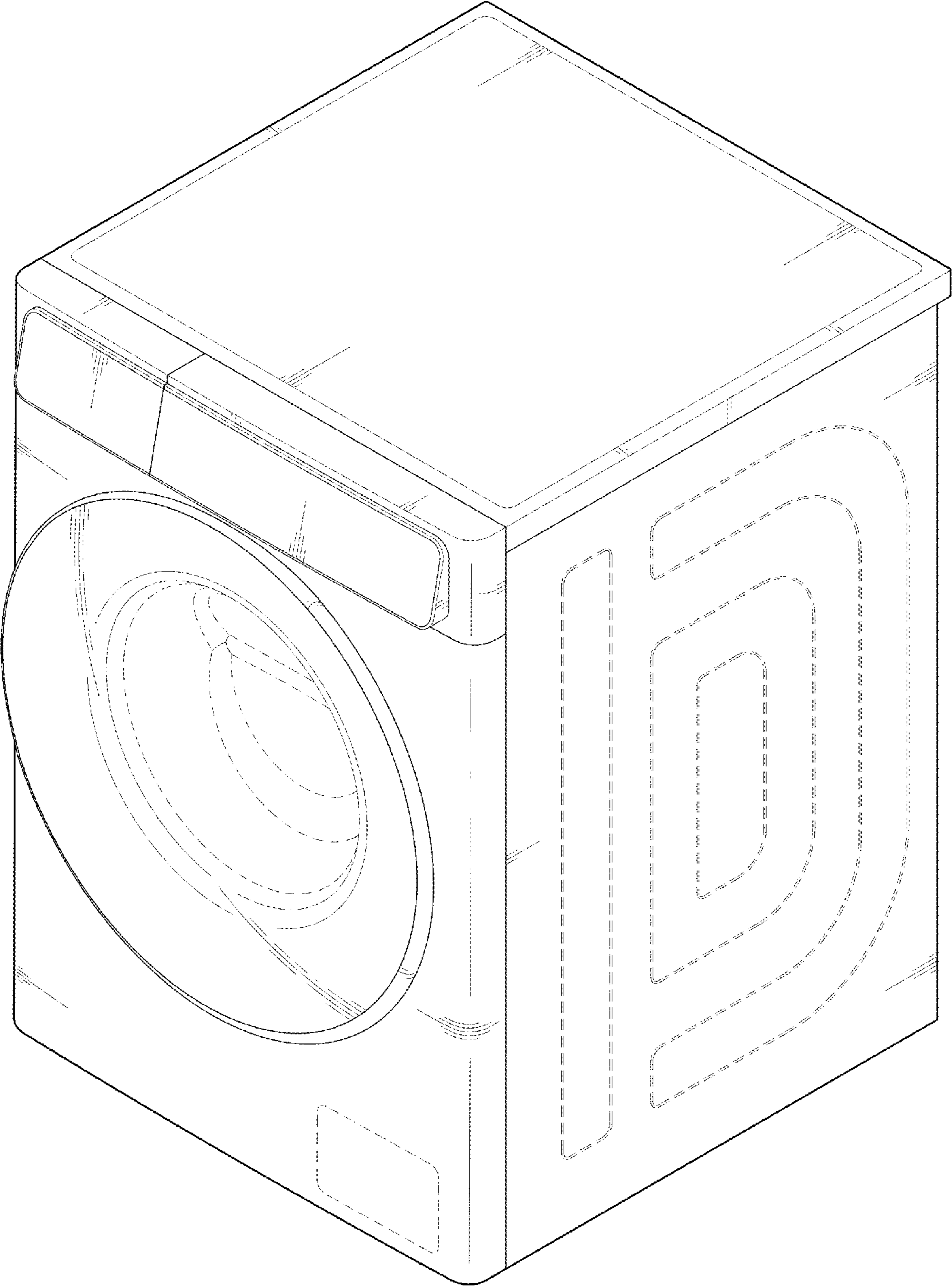


FIG. 2

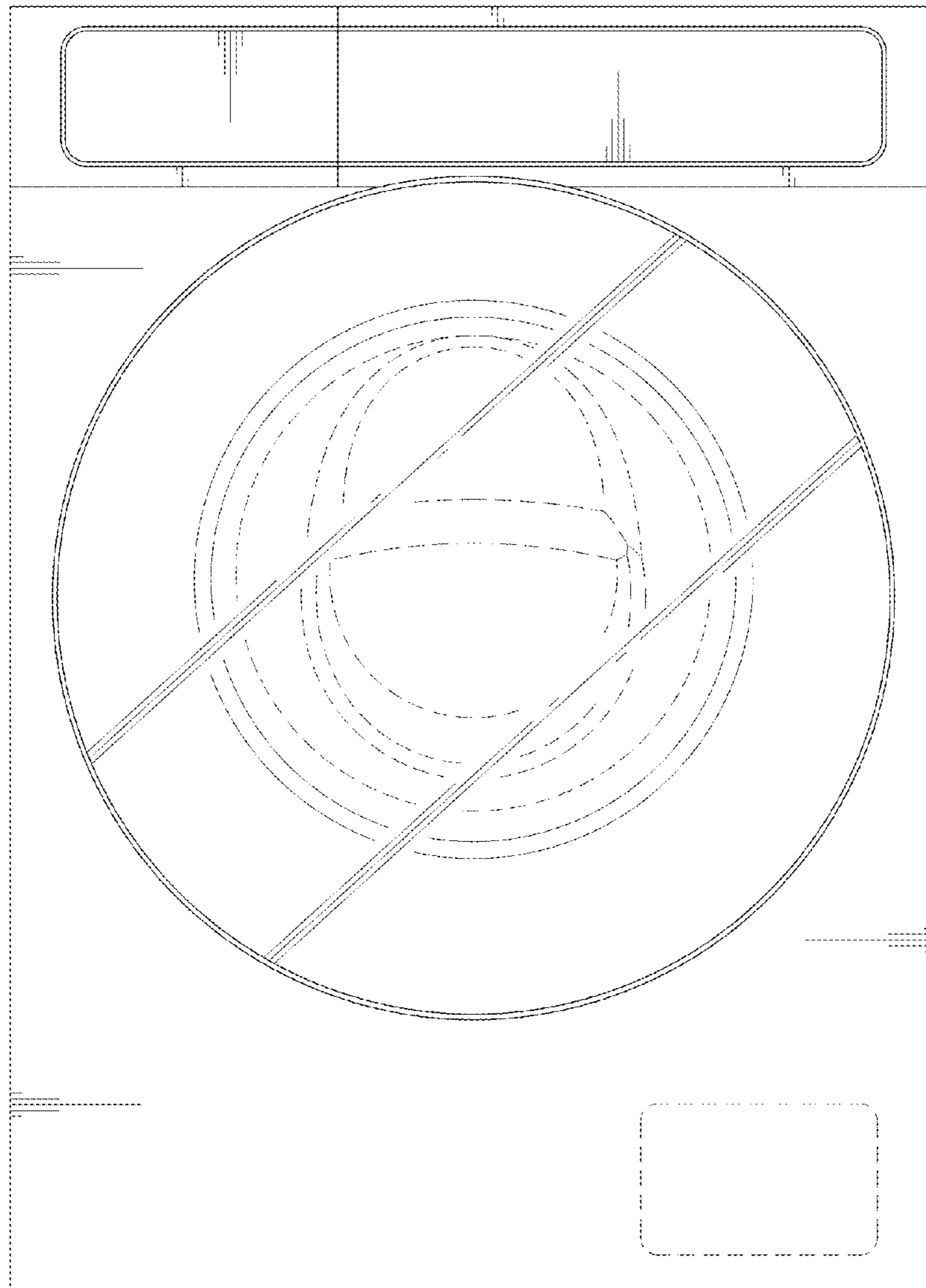


FIG. 3

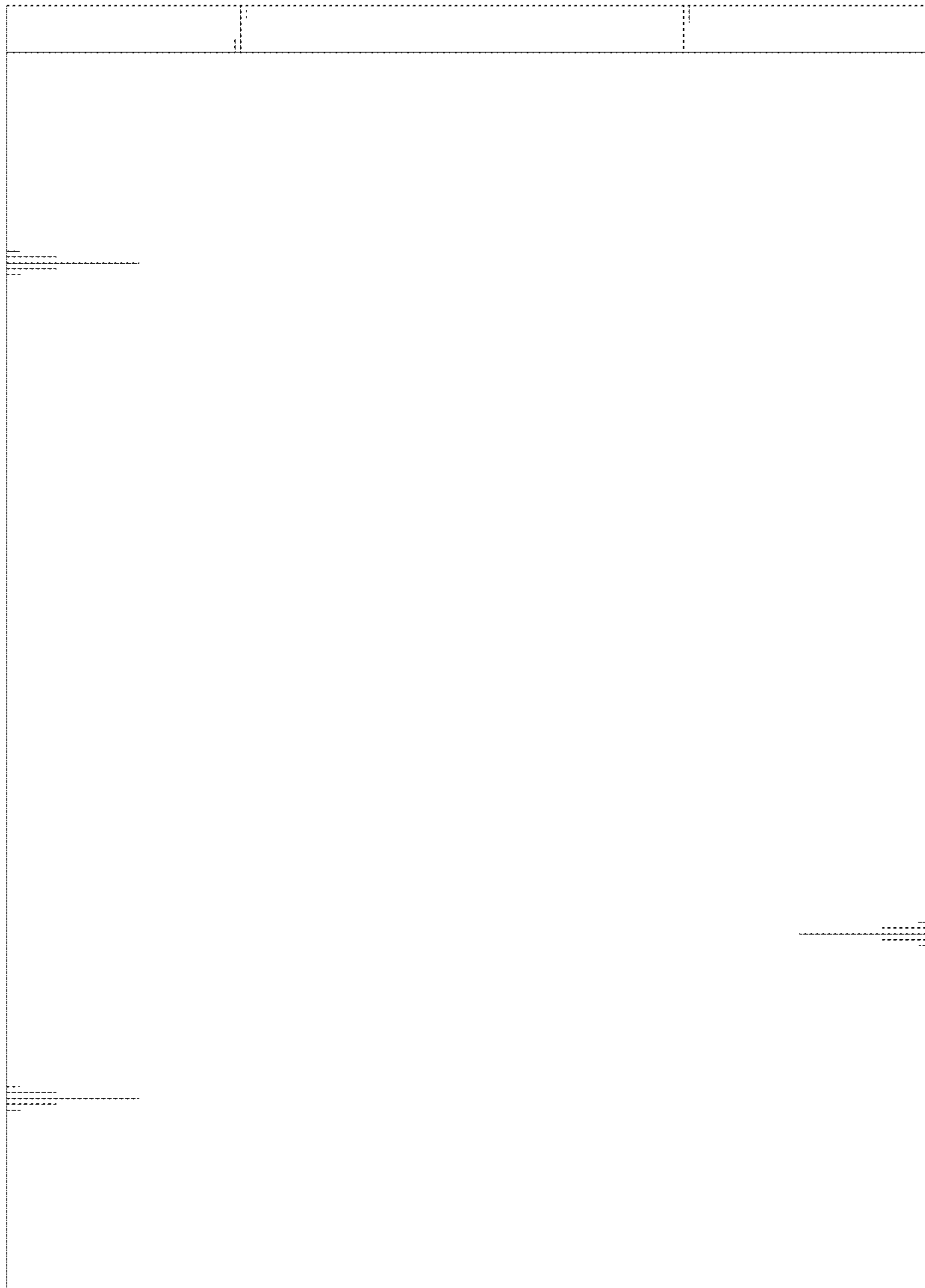


FIG. 4

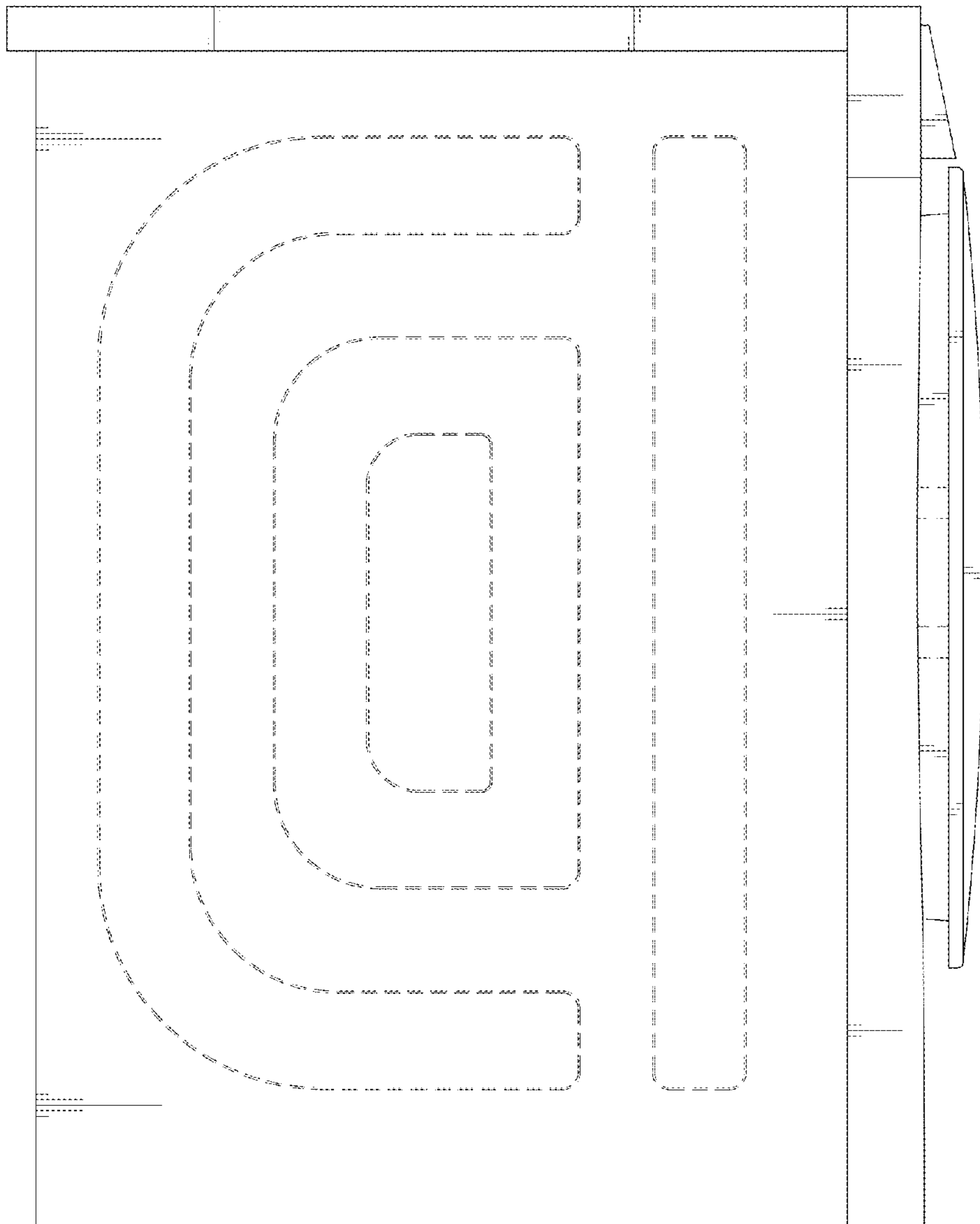


FIG. 5

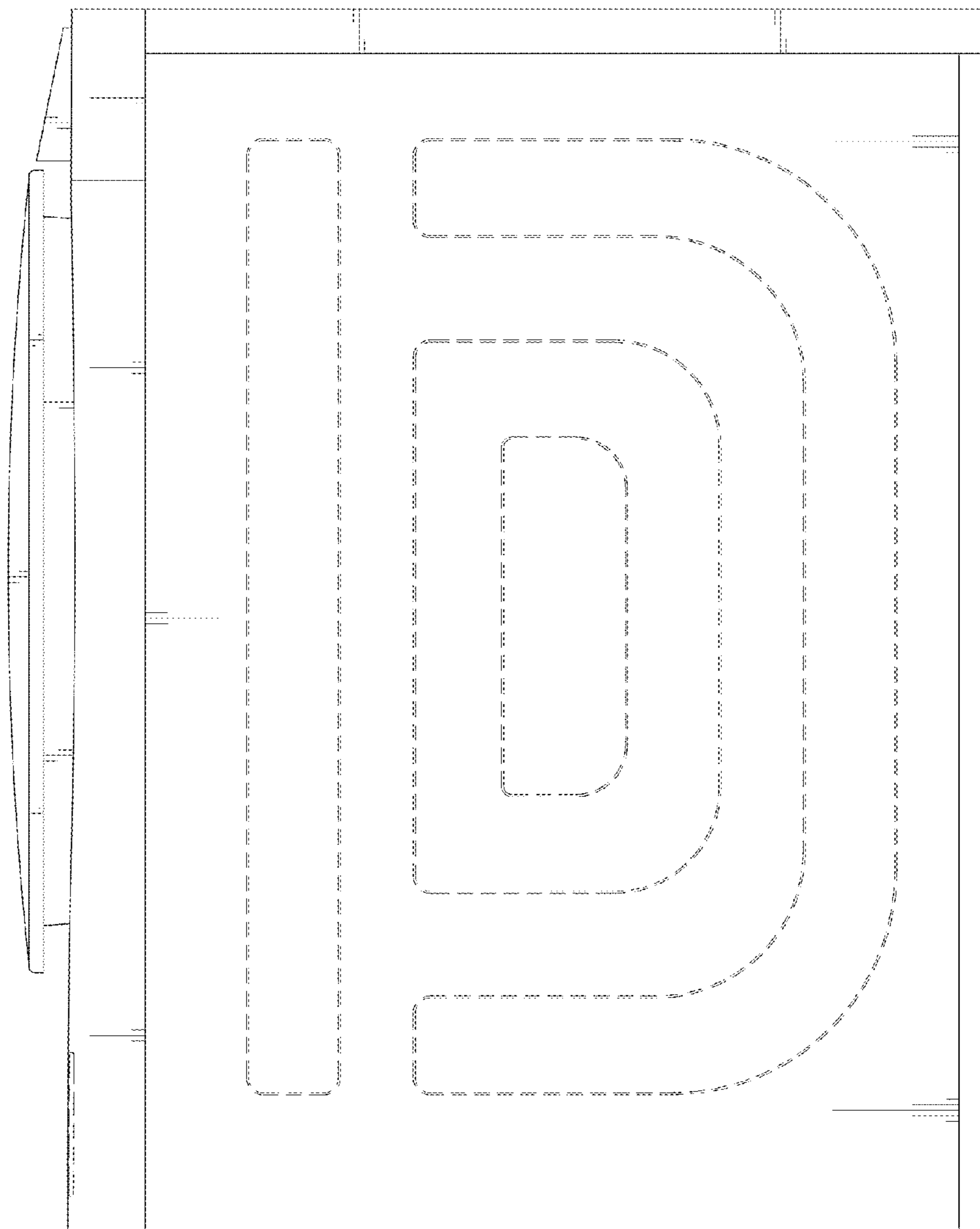


FIG. 6

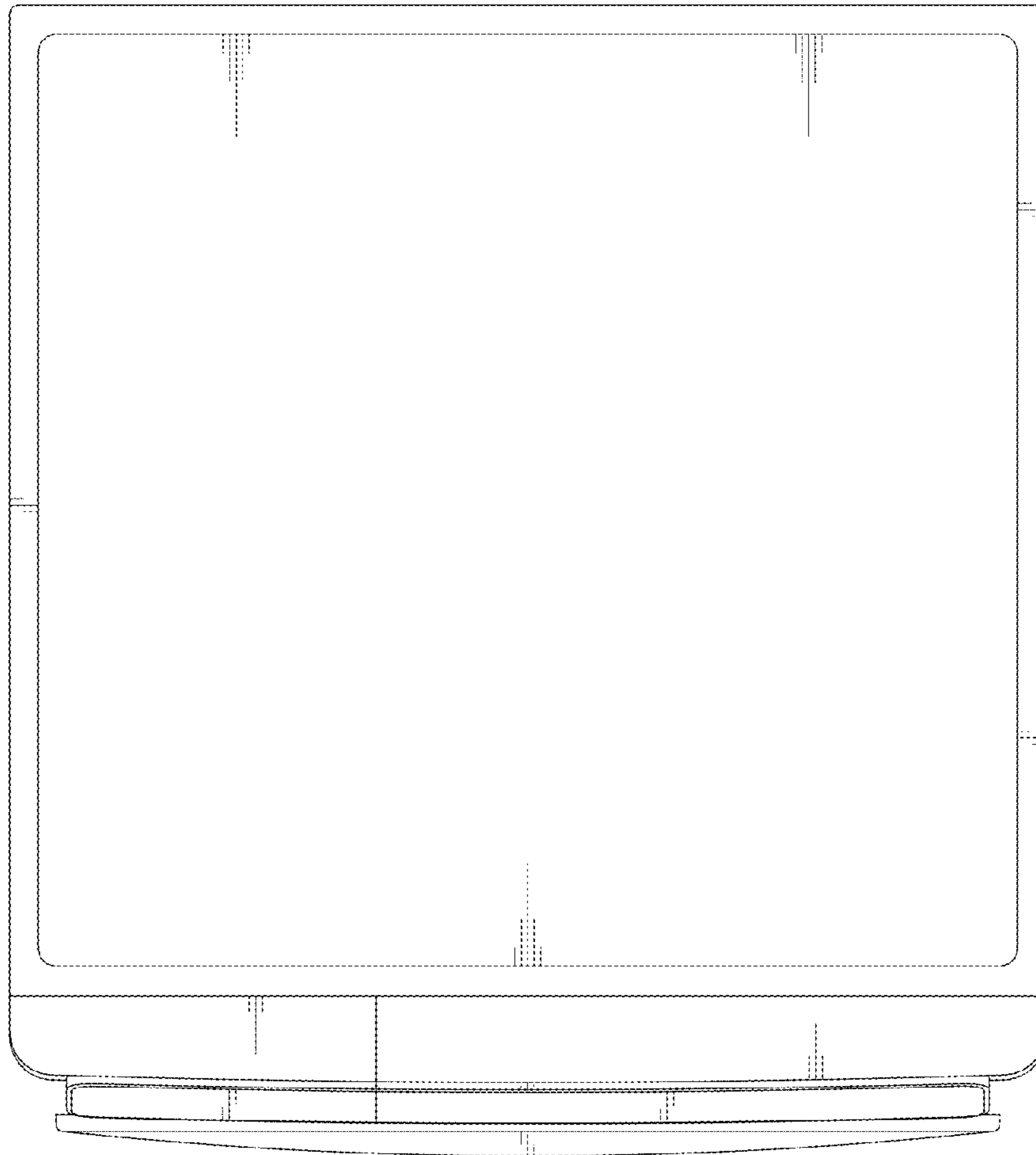


FIG. 7

