



US00D746519S

(12) **United States Design Patent**  
**Ruetenik**

(10) **Patent No.:** **US D746,519 S**

(45) **Date of Patent:** **\*\* Dec. 29, 2015**

(54) **EQUINE BOOT RIDGED ORTHOTIC PAD**

(71) Applicant: **Monty L. Ruetenik**, Clear Lake Shores,  
TX (US)

(72) Inventor: **Monty L. Ruetenik**, Clear Lake Shores,  
TX (US)

(\*\*) Term: **14 Years**

(21) Appl. No.: **29/493,631**

(22) Filed: **Jun. 11, 2014**

(51) **LOC (10) Cl.** ..... **30-01**

(52) **U.S. Cl.**  
USPC ..... **D30/149**

(58) **Field of Classification Search**

USPC ..... D30/146-150  
CPC ..... A01K 13/007; A01L 7/02; A01L 5/00;  
A01L 15/00; A01L 3/02; A01L 3/00; A01L  
1/04; A01L 3/04; A01L 3/06; A01L 7/04;  
A01L 7/08; A01L 1/02; A01L 7/00; A01L  
9/00

See application file for complete search history.

(56) **References Cited**

**U.S. PATENT DOCUMENTS**

D580,111 S \* 11/2008 Lander ..... D30/146  
D612,550 S \* 3/2010 Justis ..... D30/147  
D629,166 S \* 12/2010 Lander ..... D30/149  
D629,573 S \* 12/2010 Lander ..... D30/146  
D671,279 S \* 11/2012 Lander ..... D30/146

D685,142 S \* 6/2013 Lander ..... D30/148  
D685,954 S \* 7/2013 Lander ..... D30/146  
8,663,034 B2 \* 3/2014 Mourouzis ..... A63B 69/002  
473/419  
D709,656 S \* 7/2014 Ruetenik ..... D30/149  
2011/0197554 A1 \* 8/2011 Ruetenik ..... A01K 13/007  
54/82

\* cited by examiner

*Primary Examiner* — George D Kirschbaum

*Assistant Examiner* — Jennifer Watkins

(74) *Attorney, Agent, or Firm* — Douglas Baldwin

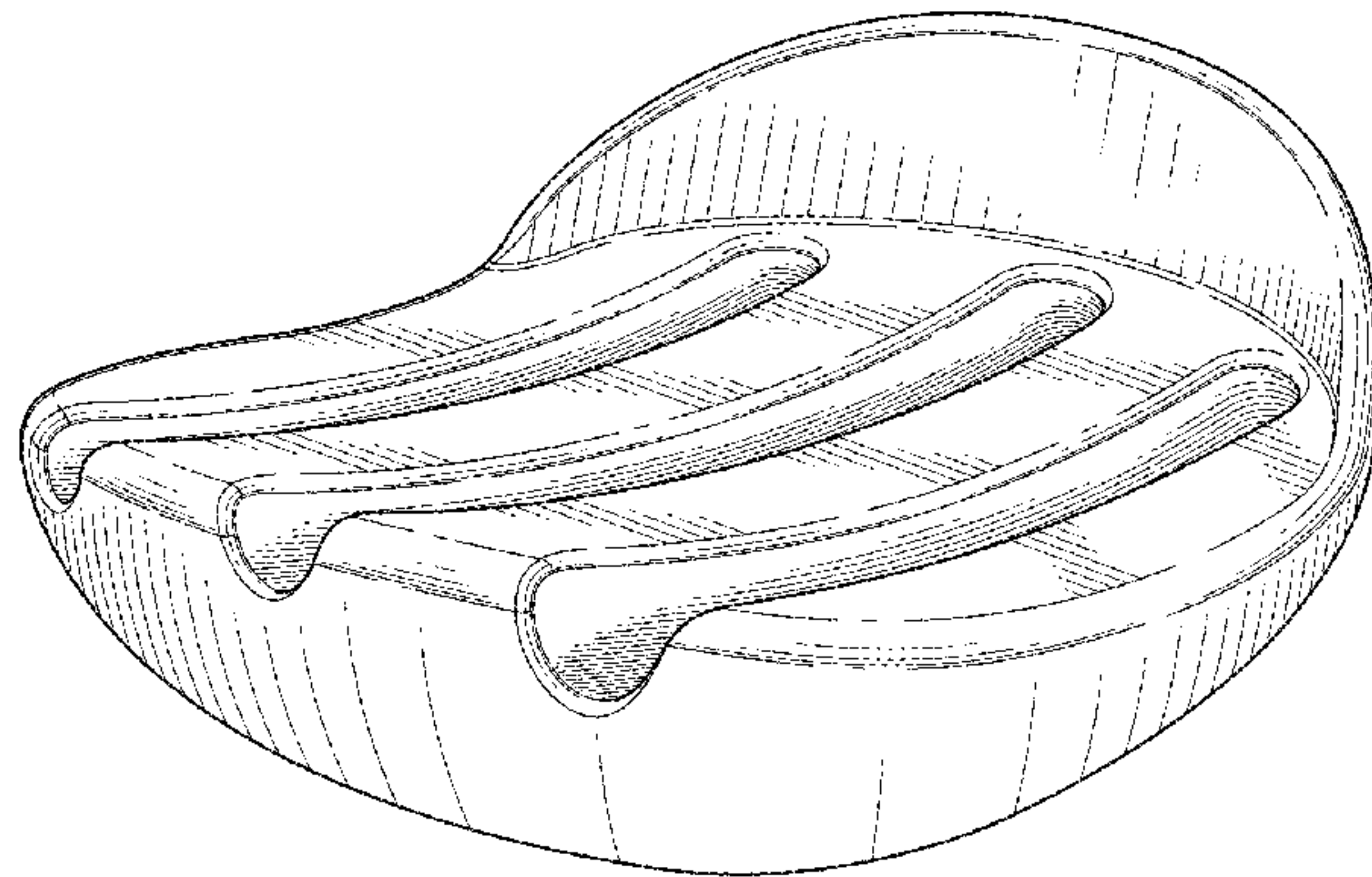
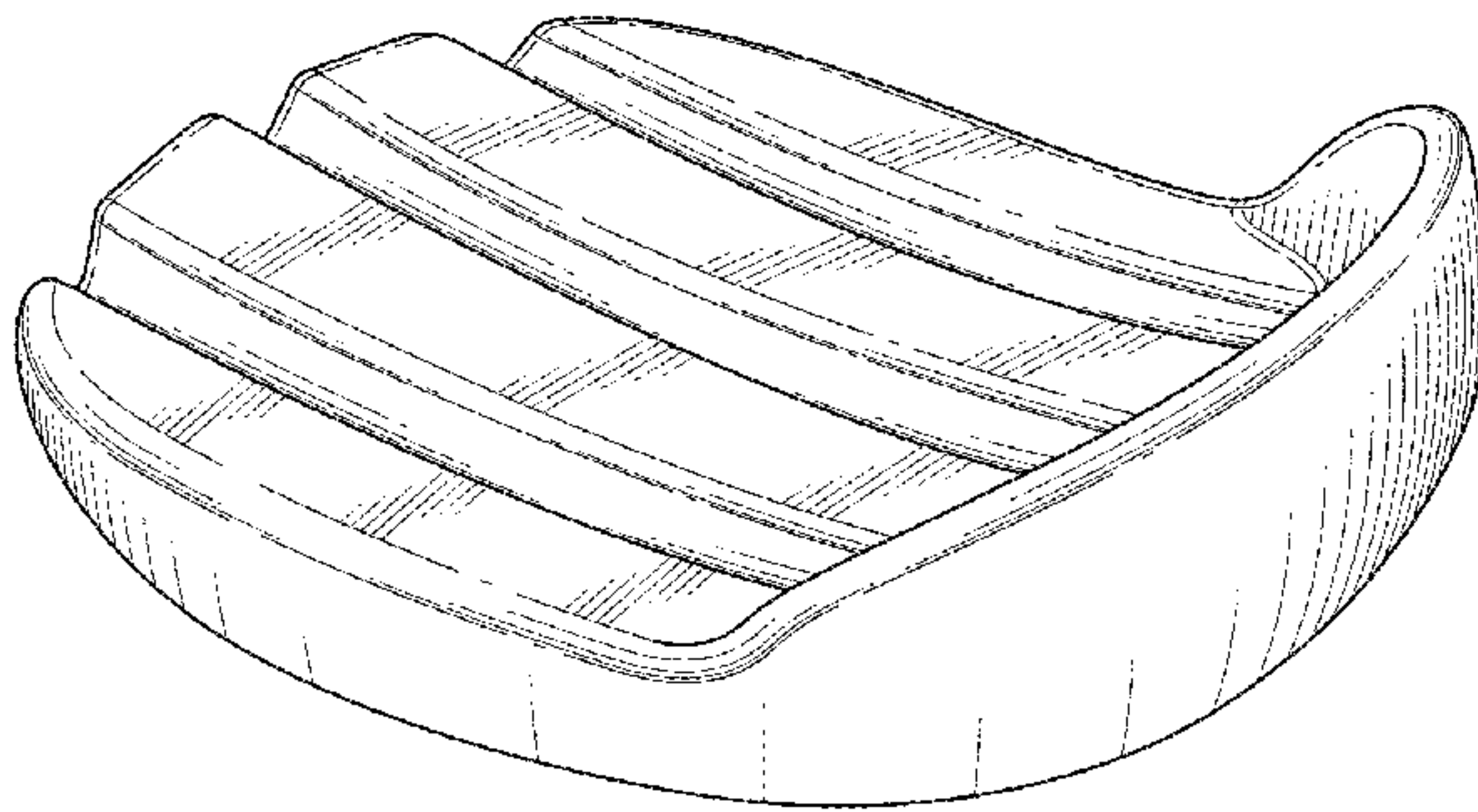
(57) **CLAIM**

The ornamental design for an equine boot ridged orthotic pad,  
as shown and described.

**DESCRIPTION**

FIG. 1 is a top perspective view of an equine boot ridged  
orthotic pad showing my new design;  
FIG. 2 is a rear side view thereof;  
FIG. 3 is a front side view thereof;  
FIG. 4 is a right side view thereof; and  
FIG. 5 is a left side view thereof;  
FIG. 6 is a top view thereof;  
FIG. 7 is a bottom view thereof; and,  
FIG. 8 is a top perspective view, thereof.  
The broken lines in the drawings define the bounds of the  
claim and form no part thereof.

**1 Claim, 4 Drawing Sheets**



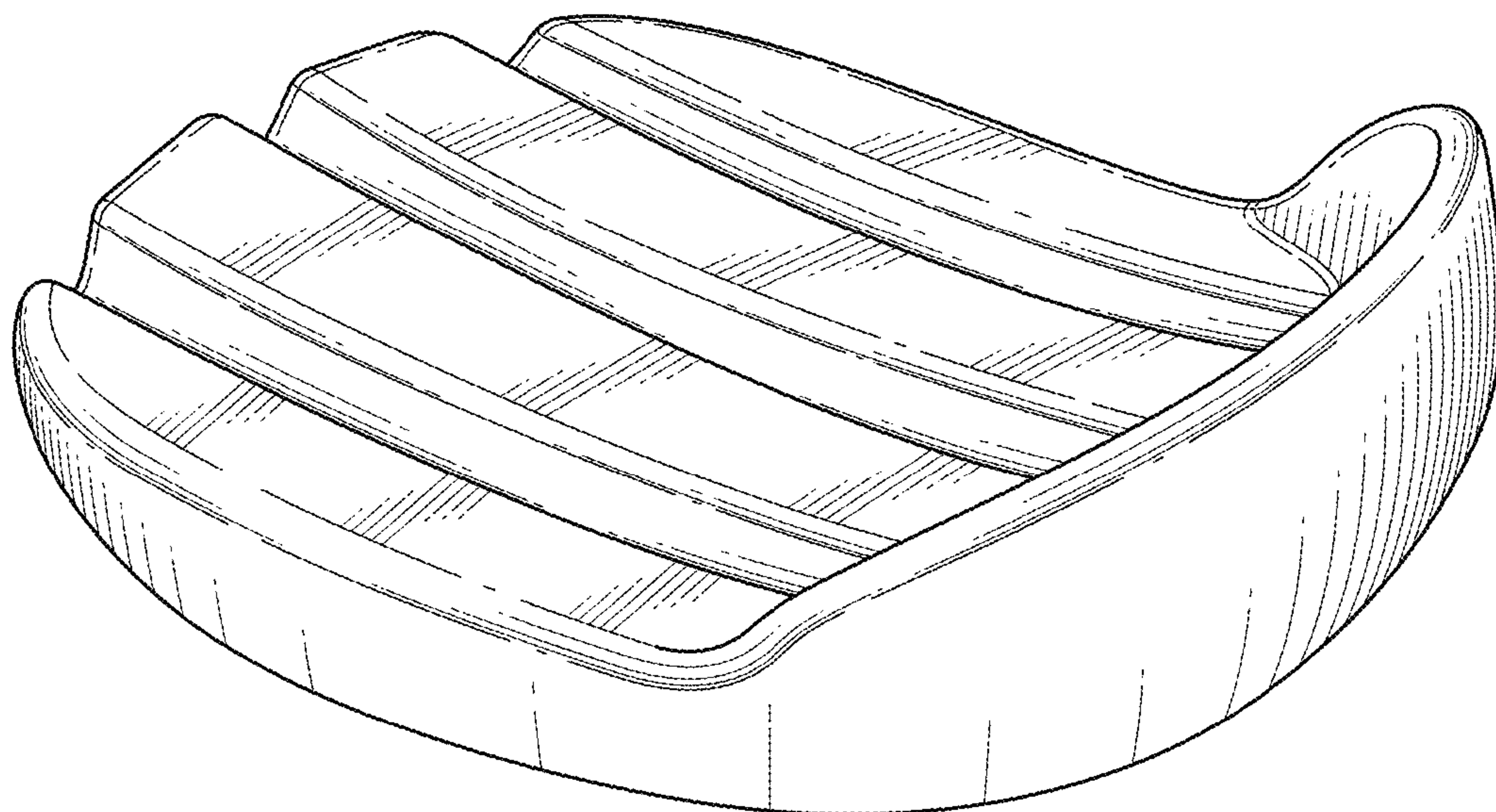


FIG. 1

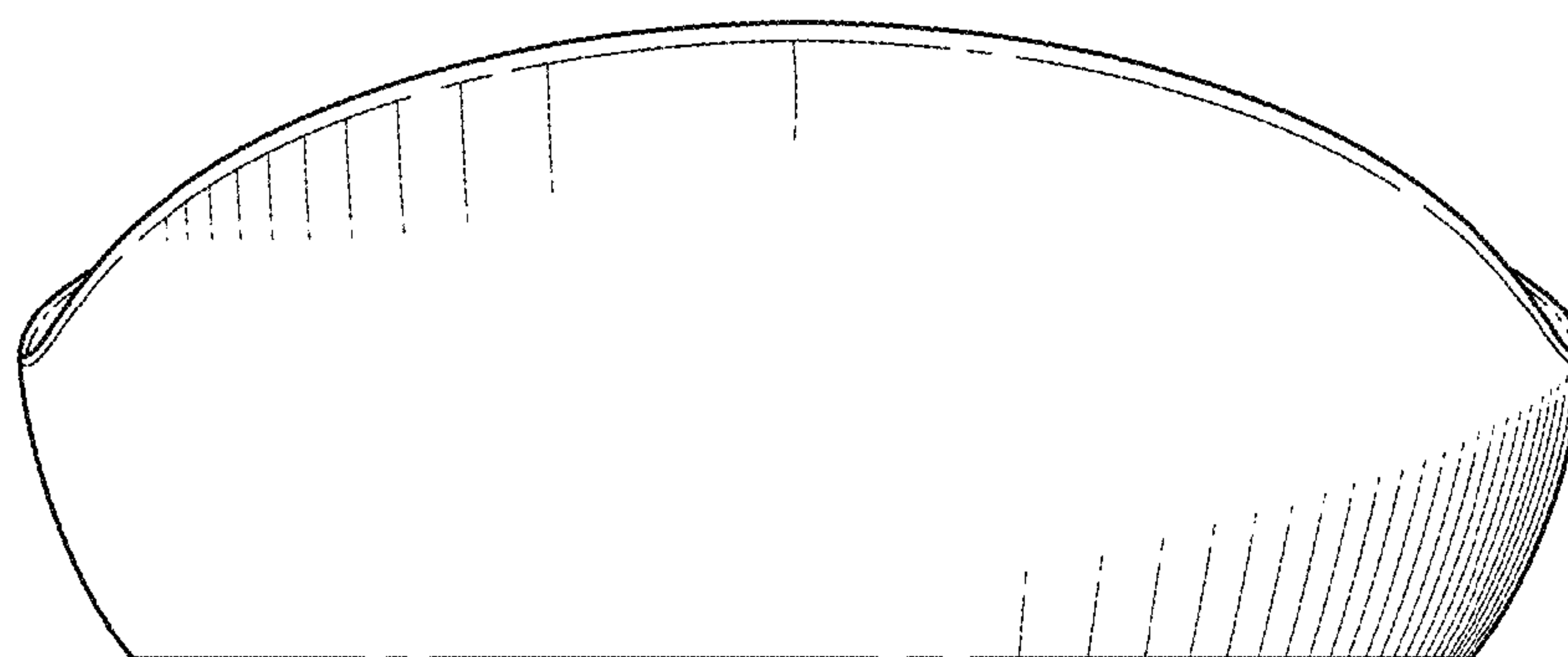


FIG. 2

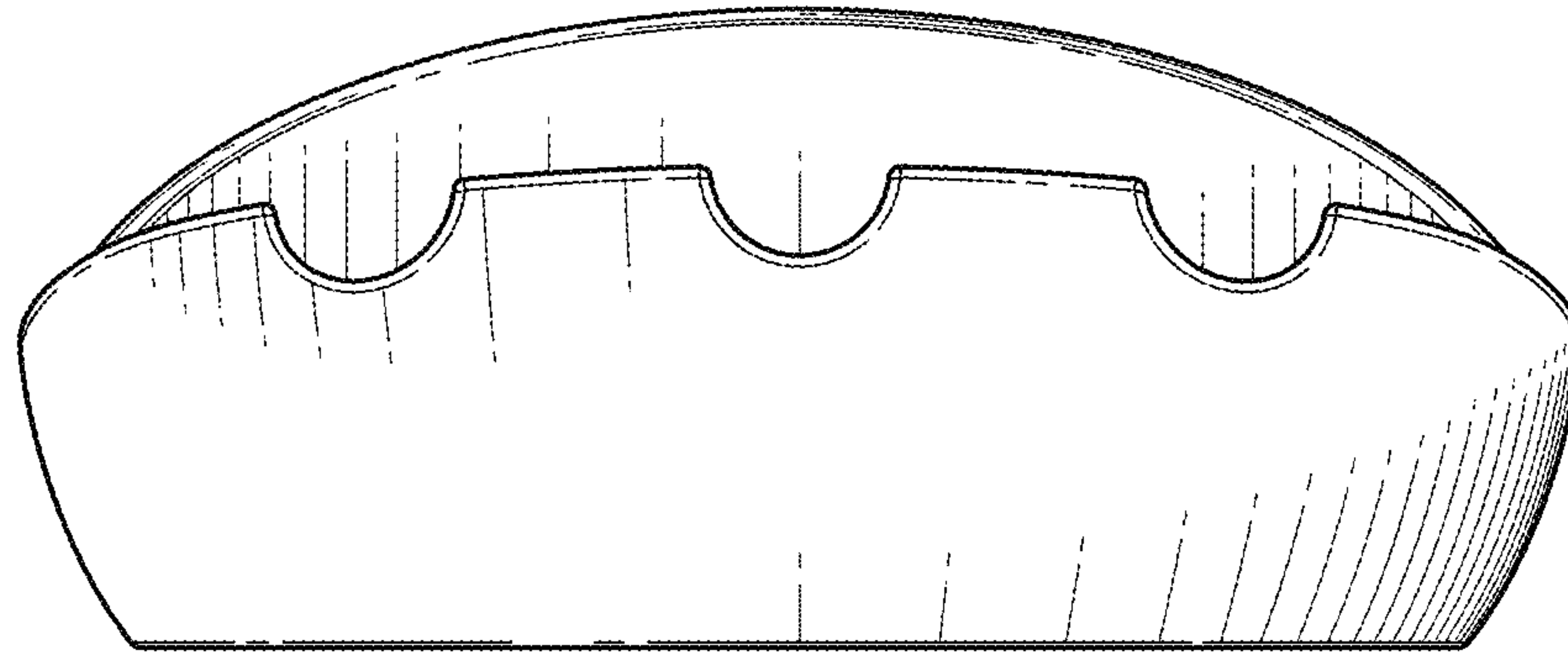


FIG. 3

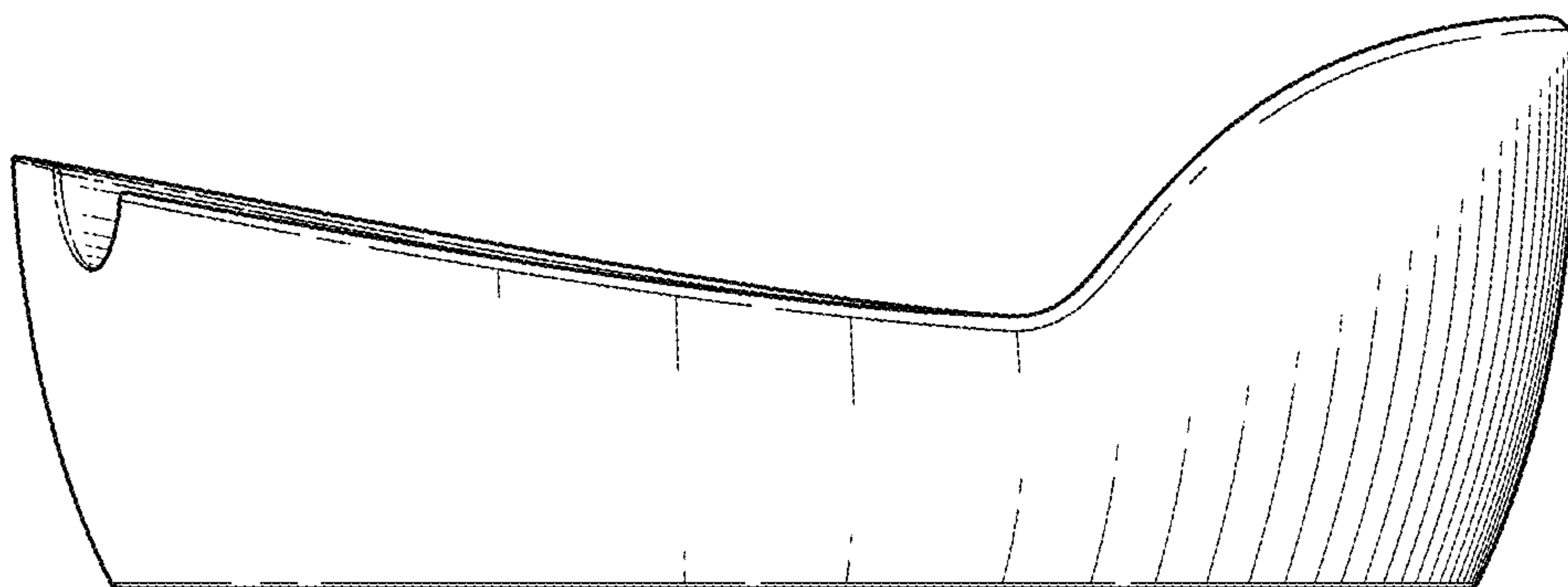


FIG. 4



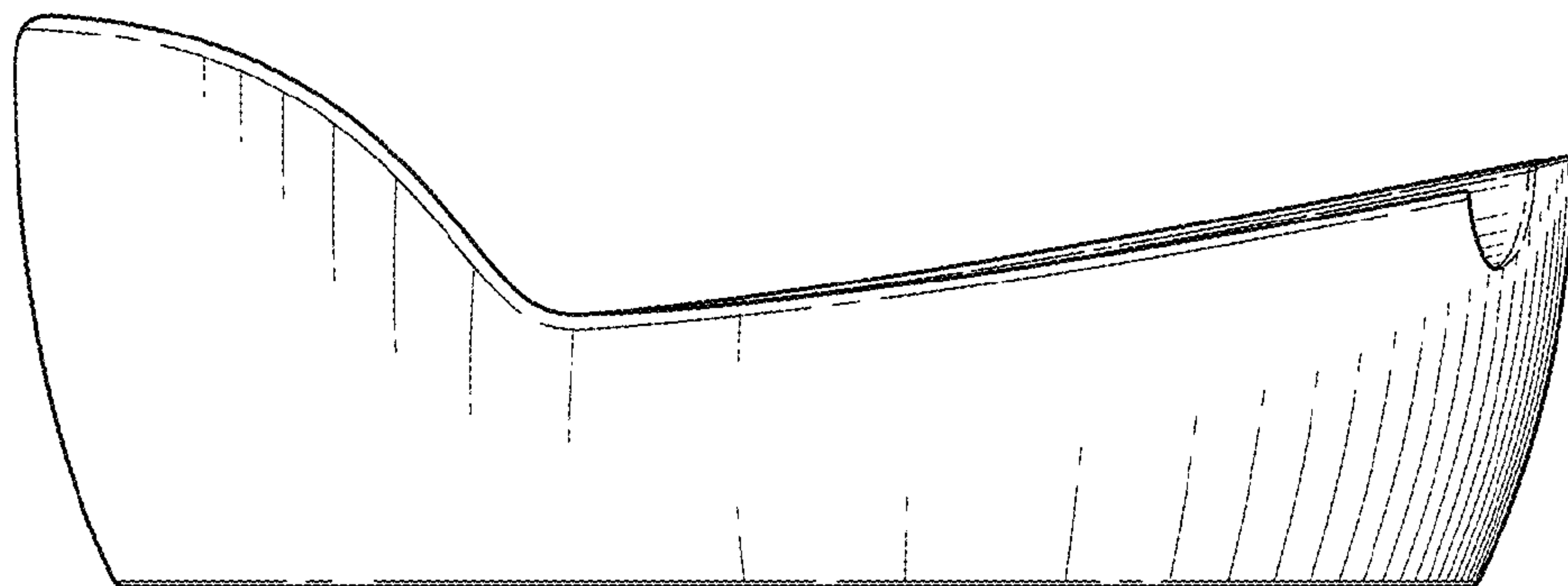


FIG. 5

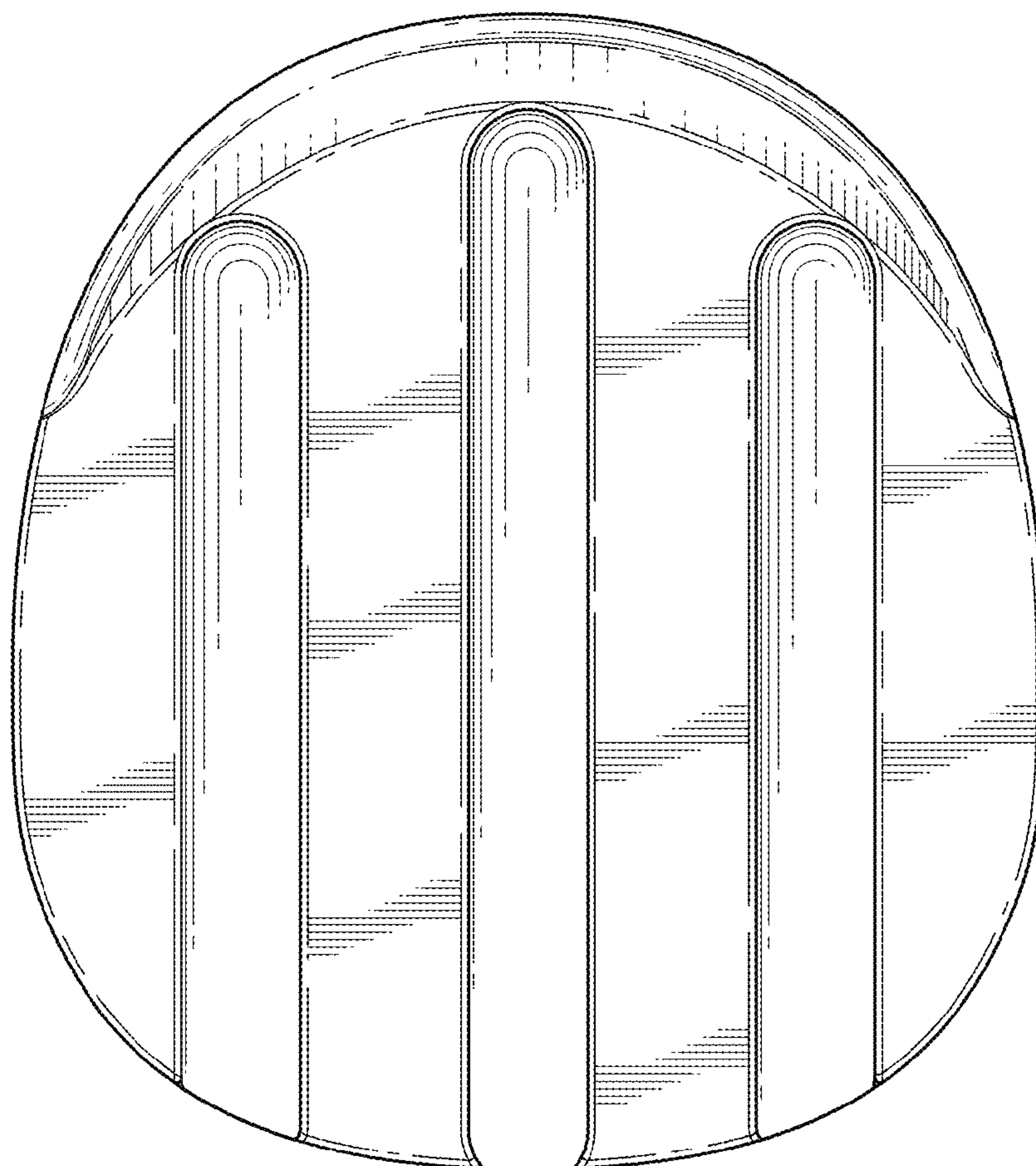


FIG. 6

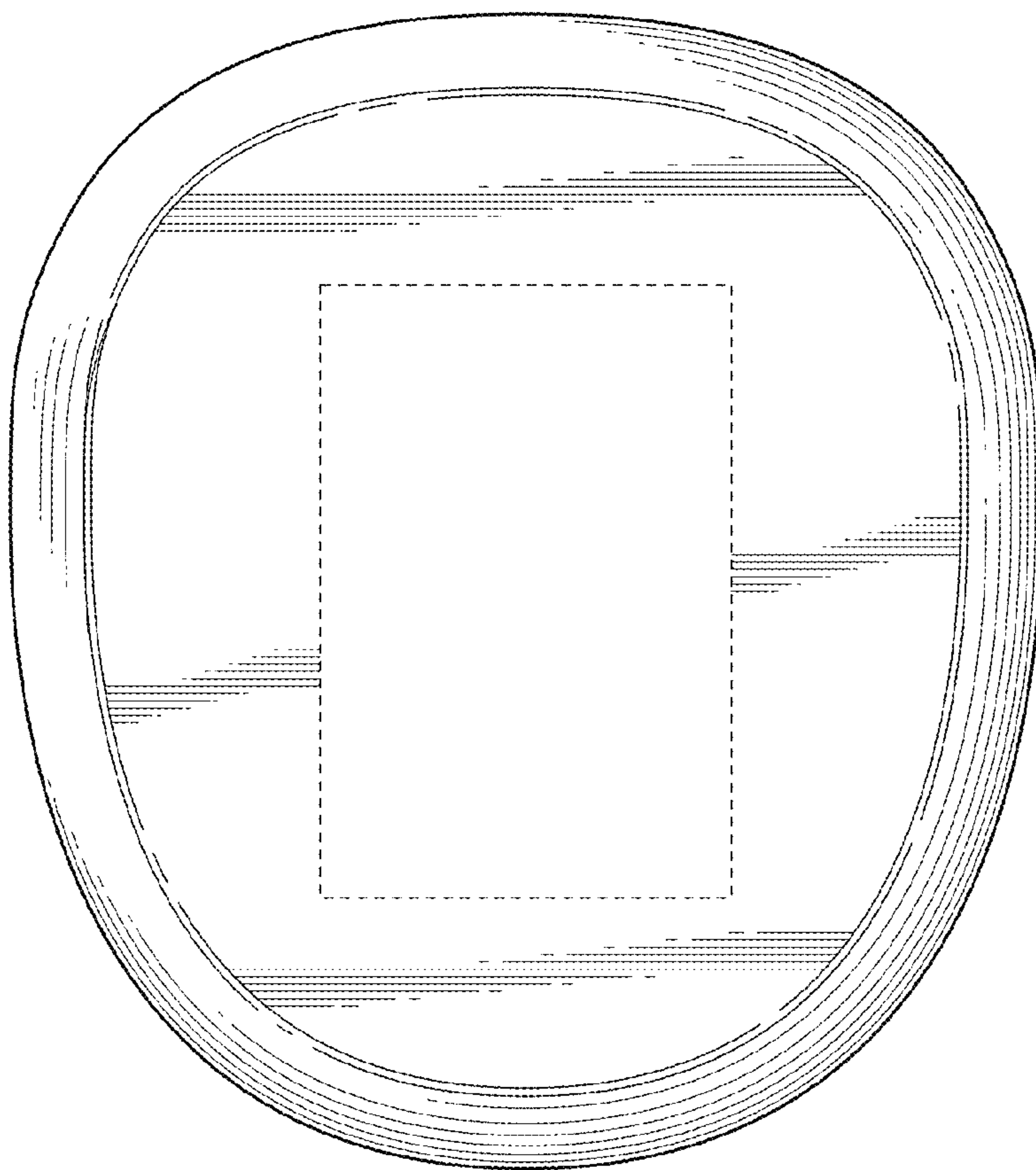


FIG. 7

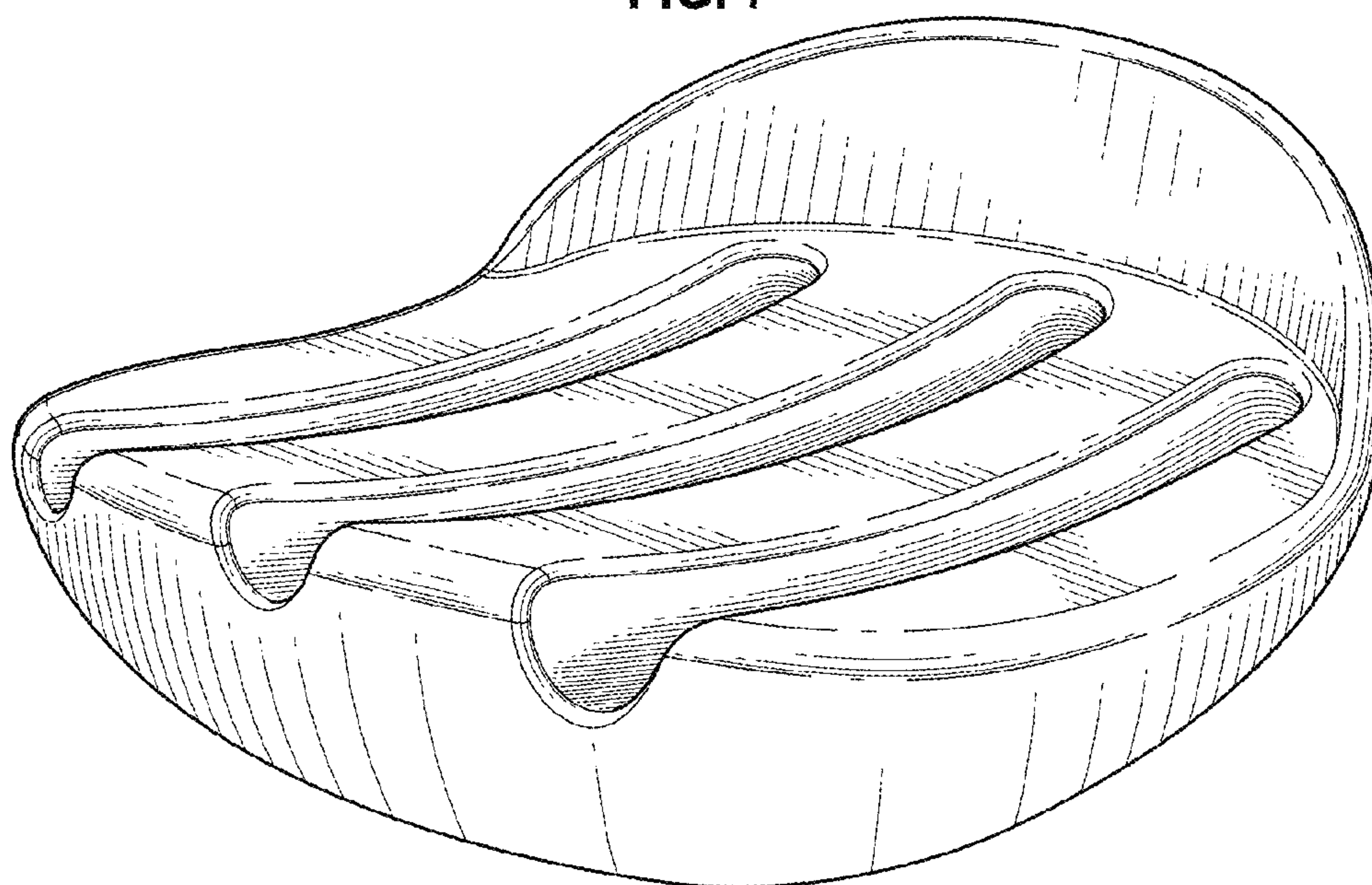


FIG. 8